



US00D900003S

(12) **United States Design Patent** (10) **Patent No.:** **US D900,003 S**
Chiu (45) **Date of Patent:** **** Oct. 27, 2020**

(54) **AEROPLANE CABIN**
(71) Applicant: **Nan-Chang Chiu**, Kaohsiung (TW)
(72) Inventor: **Nan-Chang Chiu**, Kaohsiung (TW)
(**) Term: **15 Years**
(21) Appl. No.: **29/701,851**
(22) Filed: **Aug. 15, 2019**
(30) **Foreign Application Priority Data**
Feb. 25, 2019 (TW) 108301057
(51) **LOC (12) Cl.** **12-01**
(52) **U.S. Cl.**
USPC **D12/345**
(58) **Field of Classification Search**
USPC D12/1-4, 16.1, 319-345; D21/301, 436,
D21/441, 442, 443, 444, 447, 448, 449,
D21/450, 451, 452, 453, 454, 455
CPC B64C 39/024; B64C 2201/108; B64C
2201/141; B64C 2201/024
See application file for complete search history.

(56) **References Cited**
U.S. PATENT DOCUMENTS
D174,679 S * 5/1955 Cochran D12/330
D177,564 S * 5/1956 Freeland D12/325
D179,420 S * 12/1956 Kappus D12/326
D181,599 S * 12/1957 Nelson D12/330
D182,717 S * 5/1958 Freeland D12/325
D202,312 S * 9/1965 Serriades D12/324
4,436,264 A * 3/1984 Brumfield A63H 27/08
244/153 R
4,778,128 A * 10/1988 Wright B64C 39/064
244/23 C
D312,067 S * 11/1990 Walling D12/320
D386,255 S * 11/1997 Ying-teng D12/320

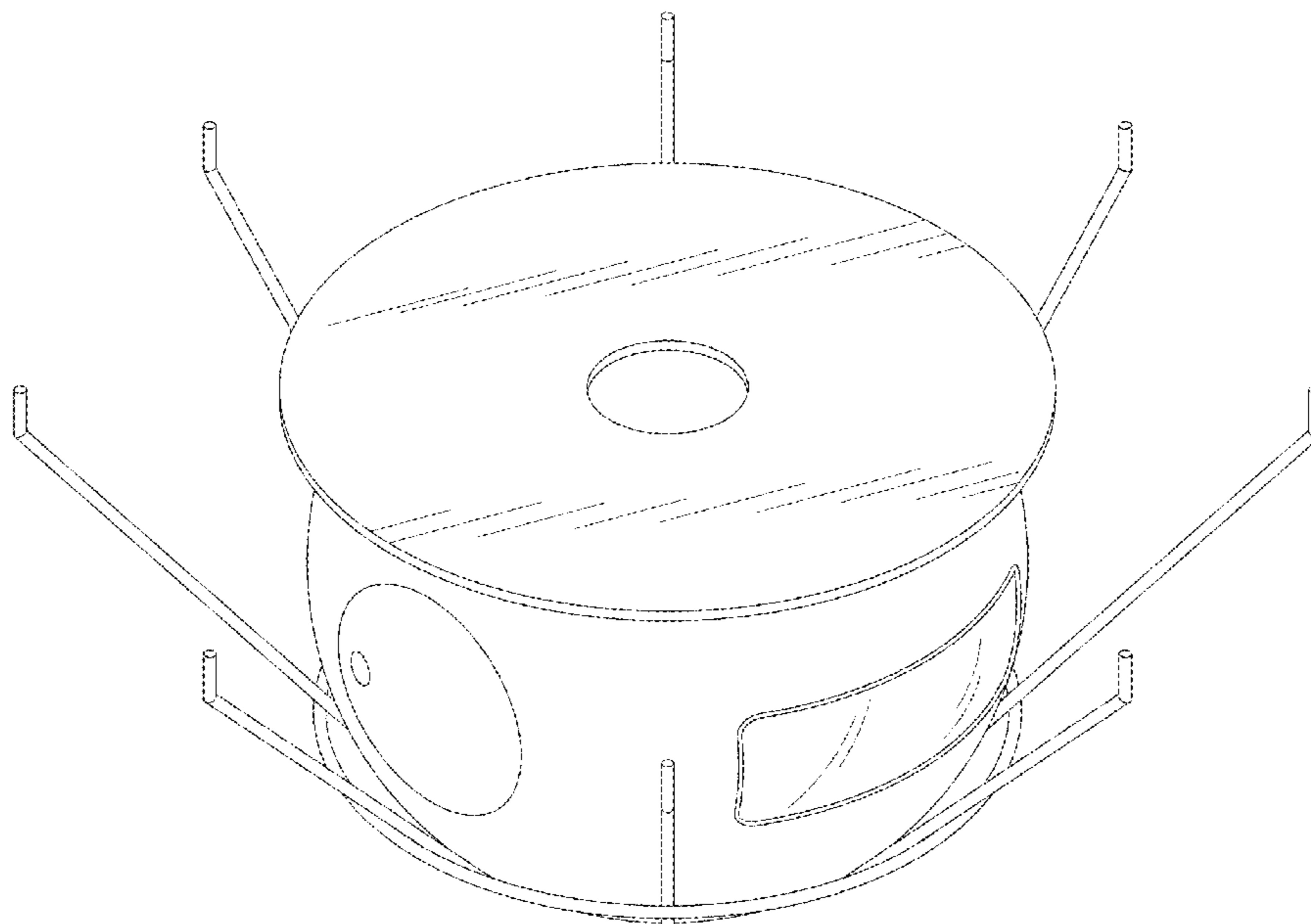
D430,530 S * 9/2000 Milde, Jr. D12/320
D543,495 S * 5/2007 Williams D12/345
D543,928 S * 6/2007 Sanders, Jr. B64C 27/12
D12/319
D612,318 S * 3/2010 Cardozo D12/319
D621,852 S * 8/2010 Zunik D15/5
8,820,672 B2 * 9/2014 Erben B64C 39/024
244/1 R
9,527,588 B1 * 12/2016 Rollefstad B64C 39/024
9,555,879 B1 * 1/2017 Kaiser B64D 35/06
D814,350 S * 4/2018 Joo D12/16.1
D856,259 S * 8/2019 Li D12/328
10,442,312 B2 * 10/2019 Liang B64D 35/02
10,618,649 B2 * 4/2020 Champagne, Jr. B64C 39/024
D884,553 S * 5/2020 Seo D12/16.1
2017/0217323 A1 * 8/2017 Antonini B60L 53/18
2018/0196418 A1 * 7/2018 Meier G05D 1/0225
2018/0244385 A1 * 8/2018 Kim G05D 1/085
2019/0009893 A1 * 1/2019 Toyama B64C 27/08
2019/0193848 A1 * 6/2019 Kaiser B64C 27/50

* cited by examiner
Primary Examiner — Marissa J Cash
(74) *Attorney, Agent, or Firm* — Alan D. Kamrath; Mayer & Williams PC

(57) **CLAIM**
The ornamental design for an aeroplane cabin, as shown and described.

DESCRIPTION
FIG. 1 is a perspective view of an aeroplane cabin showing my new design;
FIG. 2 is a front elevational view of the aeroplane cabin;
FIG. 3 is a rear elevational view of the aeroplane cabin;
FIG. 4 is a left side elevational view of the aeroplane cabin;
FIG. 5 is a right side elevational view of the aeroplane cabin;
FIG. 6 is a top plan view of the aeroplane cabin; and,
FIG. 7 is a bottom plan view of the aeroplane cabin.

1 Claim, 5 Drawing Sheets



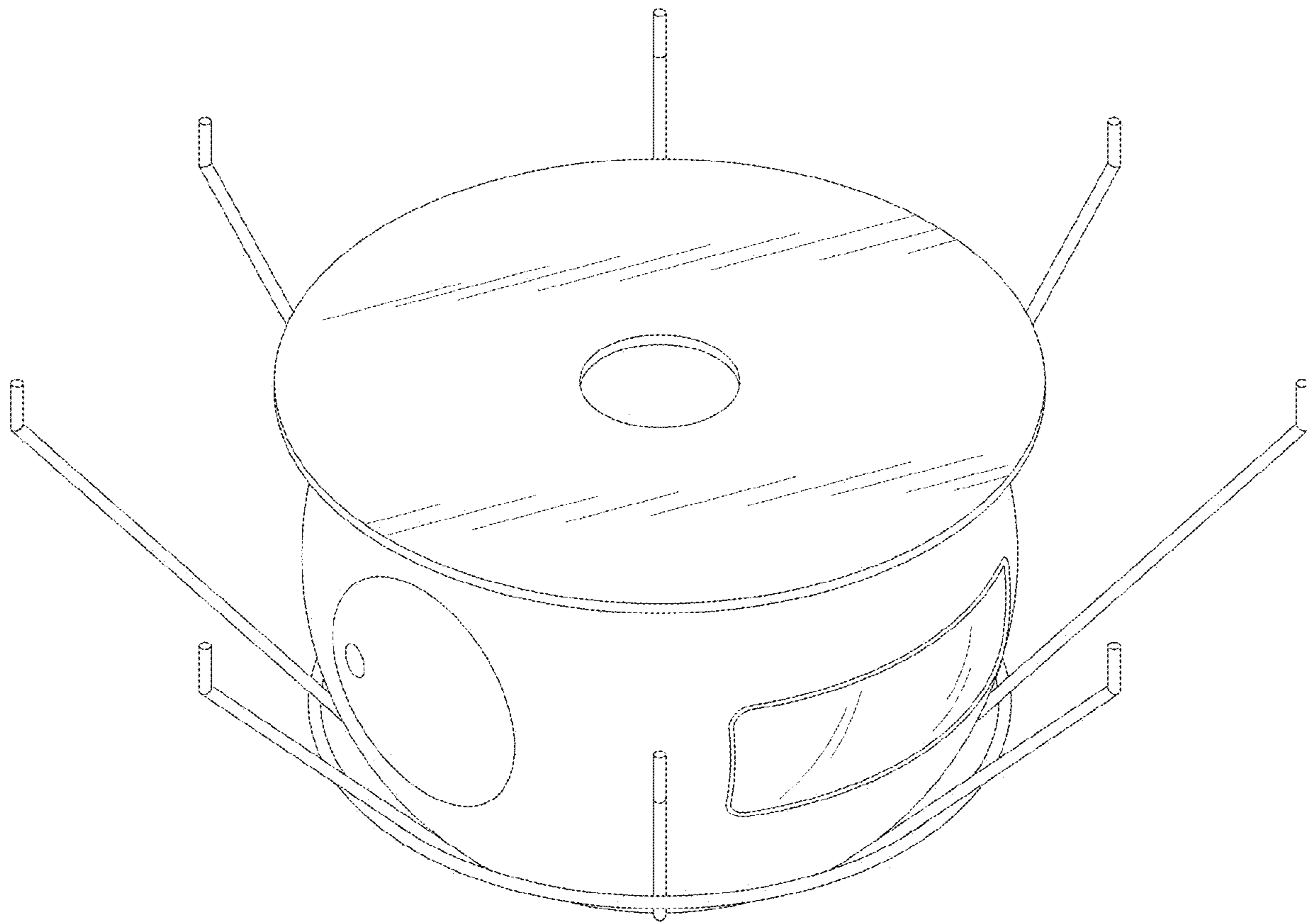


FIG. 1

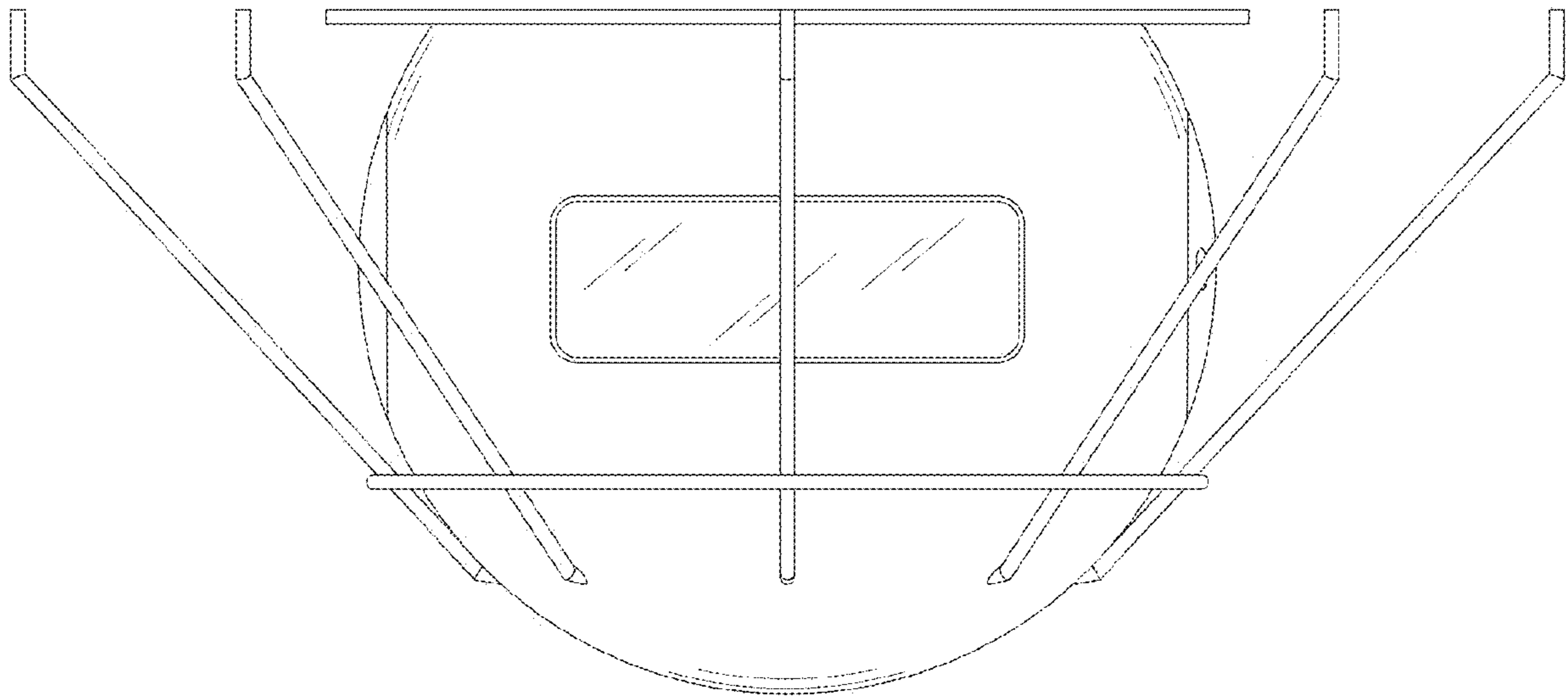


FIG. 2

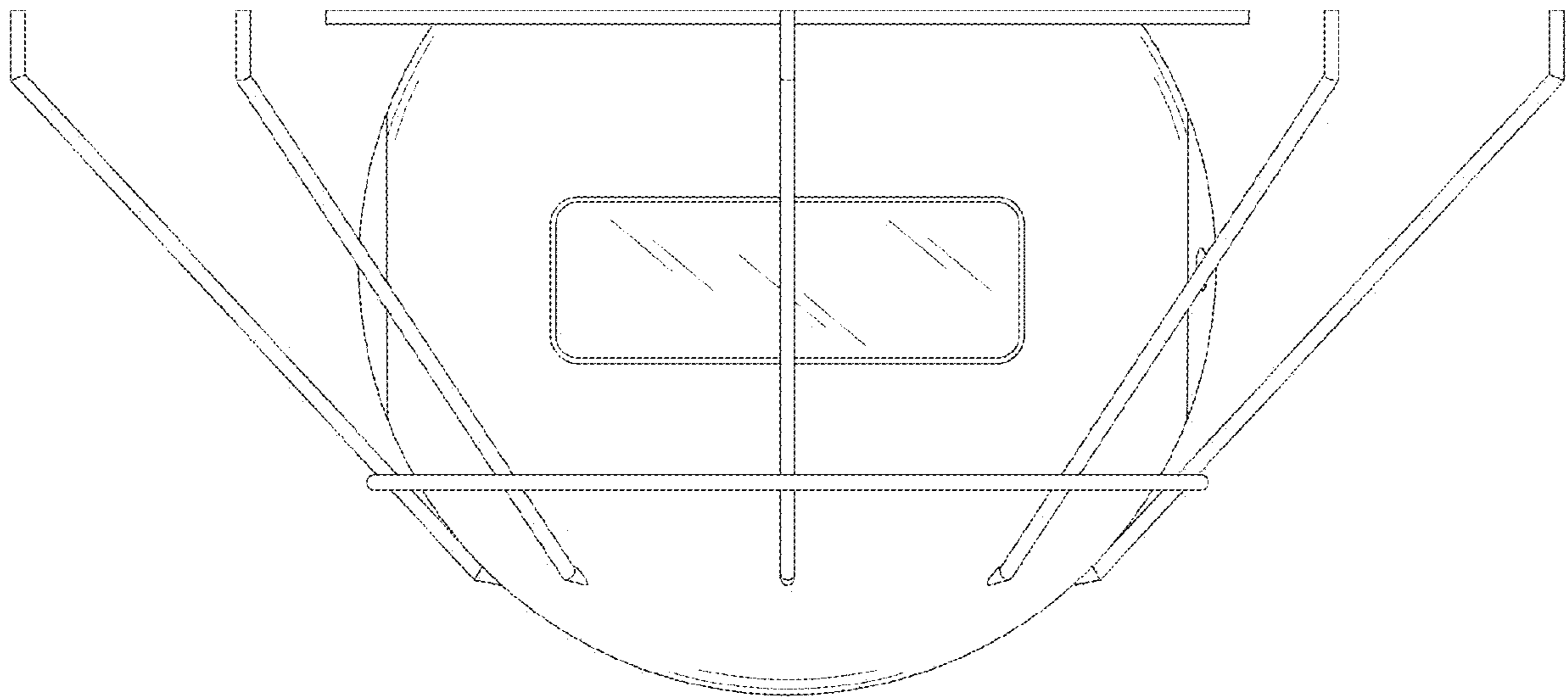


FIG. 3

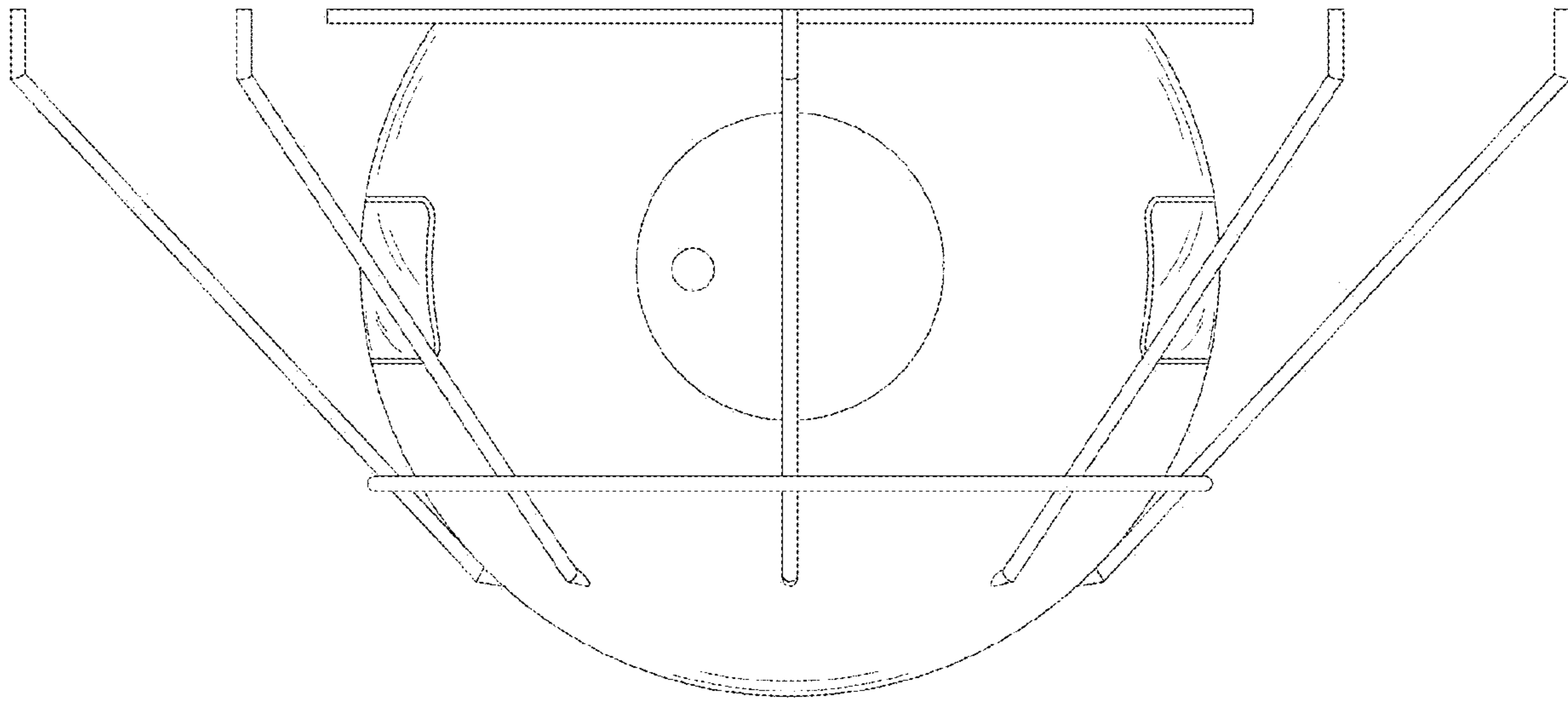


FIG. 4

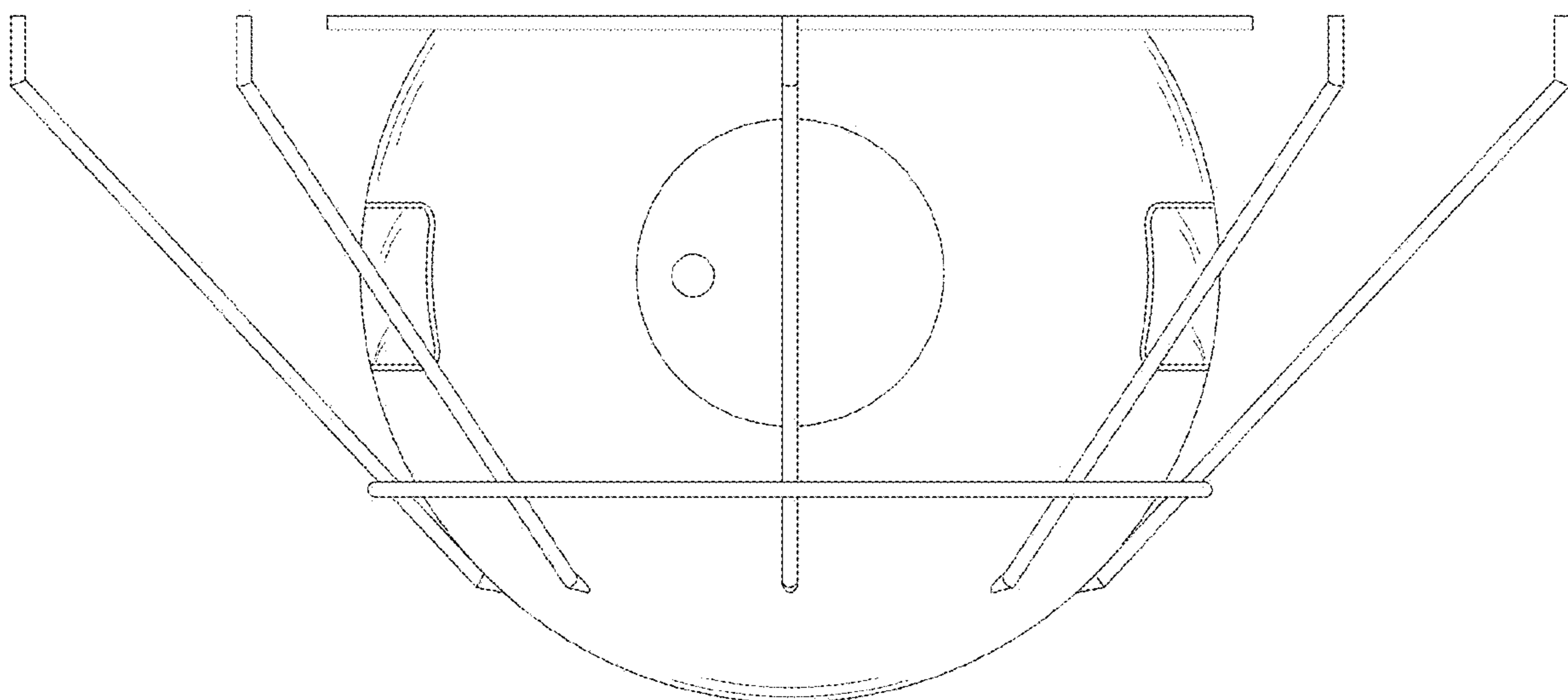


FIG. 5

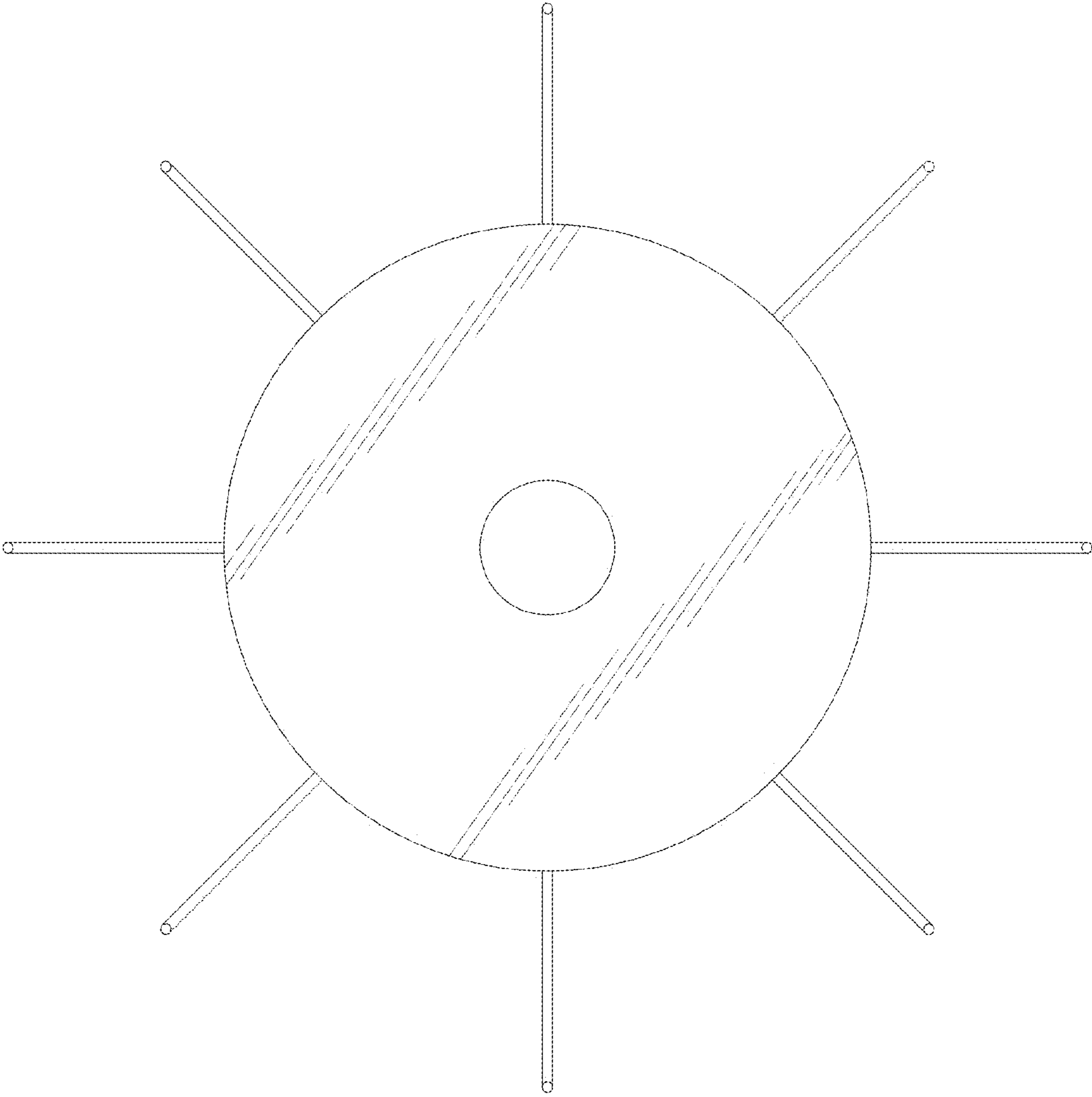


FIG. 6

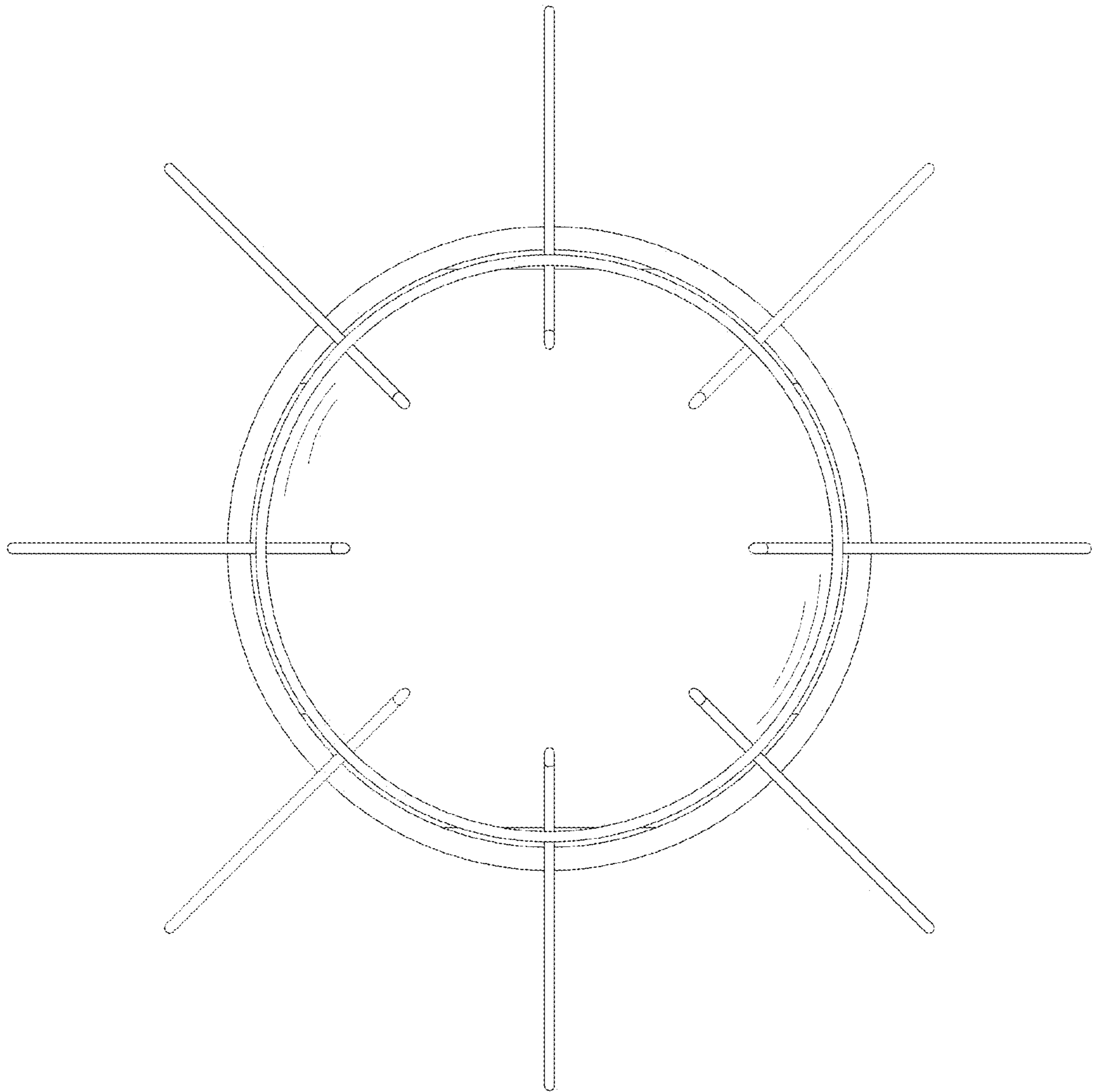


FIG. 7