



US00D900002S

(12) **United States Design Patent**  
**Pratt et al.**

(10) **Patent No.:** **US D900,002 S**  
(45) **Date of Patent:** **\*\* Oct. 27, 2020**

(54) **DINGHY WHEEL**

- (71) Applicant: **RAILBLAZA LIMITED**, Auckland (NZ)
- (72) Inventors: **Ross Gregory Pratt**, Auckland (NZ); **Steven Pugh**, Napier (NZ)
- (73) Assignee: **RAILBLAZA LIMITED**, Auckland (NZ)
- (\*\*) Term: **15 Years**

- (21) Appl. No.: **29/662,510**
- (22) Filed: **Sep. 6, 2018**

(30) **Foreign Application Priority Data**

Apr. 17, 2018 (AU) ..... 201812234

(51) **LOC (12) Cl.** ..... **12-06**

(52) **U.S. Cl.**  
USPC ..... **D12/317**

(58) **Field of Classification Search**  
 USPC ..... D12/317; D8/375; D34/28, 12, 23, 24, D34/26, 24.12, 27  
 CPC . B60P 3/10; B60P 3/1066; B62B 1/10; B62B 5/0083; B63C 13/00; B60C 7/143; B60S 9/18; B60D 1/665  
 See application file for complete search history.

(56) **References Cited**

**U.S. PATENT DOCUMENTS**

- 2,455,048 A \* 11/1948 Du Brie ..... B63C 13/00 114/344
- 2,709,084 A \* 5/1955 Nagaishi ..... B63C 13/00 280/47.32
- 3,934,852 A \* 1/1976 Weber ..... B60D 1/66 254/420

(Continued)

**OTHER PUBLICATIONS**

Inflatable Boat Wheels Suits Small boat Tinnie Tender Dinghy dolly wheel NEW, <https://shop.fishbrain.com/> [online]. published on or before Apr. 3, 2020, [retrieved on Apr. 1, 2020]. Retrieved from the Internet: <URL:<https://www.mrboats.com.au/inflatable-boat-wheels-small-boat-tinnie-tender-di~1449>> (Year: 2020).\*

(Continued)

*Primary Examiner* — Karen E Kearney

*Assistant Examiner* — Adam C Mager

(74) *Attorney, Agent, or Firm* — Grogan, Tuccillo & Vanderleeden, LLP

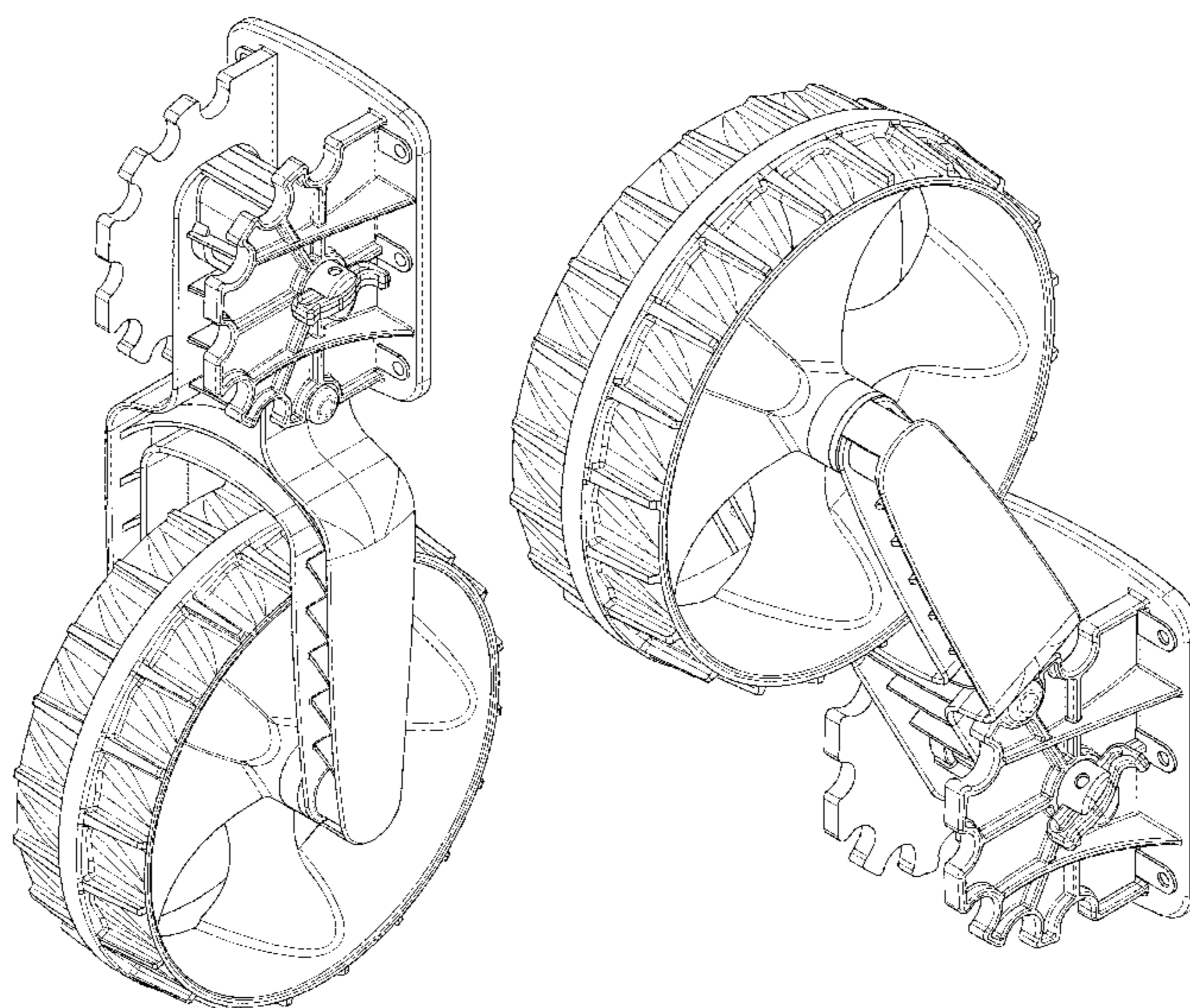
(57) **CLAIM**

The ornamental design for a dinghy wheel, as shown and described.

**DESCRIPTION**

FIG. 1 is a perspective view of a dinghy wheel facing down, depicting an embodiment of a new design;  
 FIG. 2 is a front view thereof;  
 FIG. 3 is a rear view thereof;  
 FIG. 4 is a side view thereof;  
 FIG. 5 is an opposite side view thereof;  
 FIG. 6 is a top view thereof;  
 FIG. 7 is a bottom view thereof;  
 FIG. 8 is a perspective view of the dinghy wheel of FIG. 1 facing up;  
 FIG. 9 is a front view of the dinghy wheel of FIG. 8;  
 FIG. 10 is a rear view of the dinghy wheel of FIG. 8;  
 FIG. 11 is a side view of the dinghy wheel of FIG. 8;  
 FIG. 12 is an opposite side view of the dinghy wheel of FIG. 8;  
 FIG. 13 is a top view of the dinghy wheel of FIG. 8; and,  
 FIG. 14 is a bottom view of the dinghy wheel of FIG. 8.  
 The broken line portion of the figures is included to show unclaimed subject matter only and forms no part of the claimed design.

**1 Claim, 8 Drawing Sheets**



(56)

**References Cited**

## U.S. PATENT DOCUMENTS

4,702,458 A \* 10/1987 Kendrick ..... B60D 1/66  
254/420  
D294,418 S \* 2/1988 Salvesen ..... D12/204  
D318,355 S \* 7/1991 Salvesen ..... D12/501  
5,067,692 A \* 11/1991 Nudd ..... B60D 1/66  
254/420  
6,568,344 B2 \* 5/2003 Burlet ..... B63C 13/00  
114/344  
D570,072 S \* 5/2008 Walstrom ..... D34/31  
RE43,535 E \* 7/2012 Roll ..... B60D 1/66  
254/418  
9,896,067 B2 \* 2/2018 Okerlund ..... B60S 9/18  
D826,840 S \* 8/2018 Pratt ..... D12/501  
2014/0246637 A1 \* 9/2014 Anderson ..... B60S 9/22  
254/425  
2017/0057289 A1 \* 3/2017 Pratt ..... B60C 7/143  
2018/0264901 A1 \* 9/2018 Downs ..... B60D 1/665

## OTHER PUBLICATIONS

Railblaza C-Tug Dinghy Wheels \_ Boat Transportation & Storage, <https://www.mrboats.com.au/> [online]. published on or before Apr. 3, 2020, [retrieved on Apr. 3, 2020]. Retrieved from the Internet: <URL:<https://shop.fishbrain.com/a/boat-transportation-storage/railblaza/c-tug-dinghy-wheels/100002036?variant>> (Year: 2020).\*

YakGear C-Tug SandTrakz Wheel \_ Cabela's, <https://www.cabelas.com> [online]. published on or before Apr. 3, 2020, [retrieved on Apr. 3, 2020]. Retrieved from the Internet: <URL:[https://www.cabelas.com/product/YAKGEAR-C-TUG-SANDTRAKZ-WHEE/2715979.uts?productVariantId=5544554&WT.tsrc=PPC&WT.mc\\_id=GoogleProd](https://www.cabelas.com/product/YAKGEAR-C-TUG-SANDTRAKZ-WHEE/2715979.uts?productVariantId=5544554&WT.tsrc=PPC&WT.mc_id=GoogleProd)> (Year: 2020).\*

\* cited by examiner



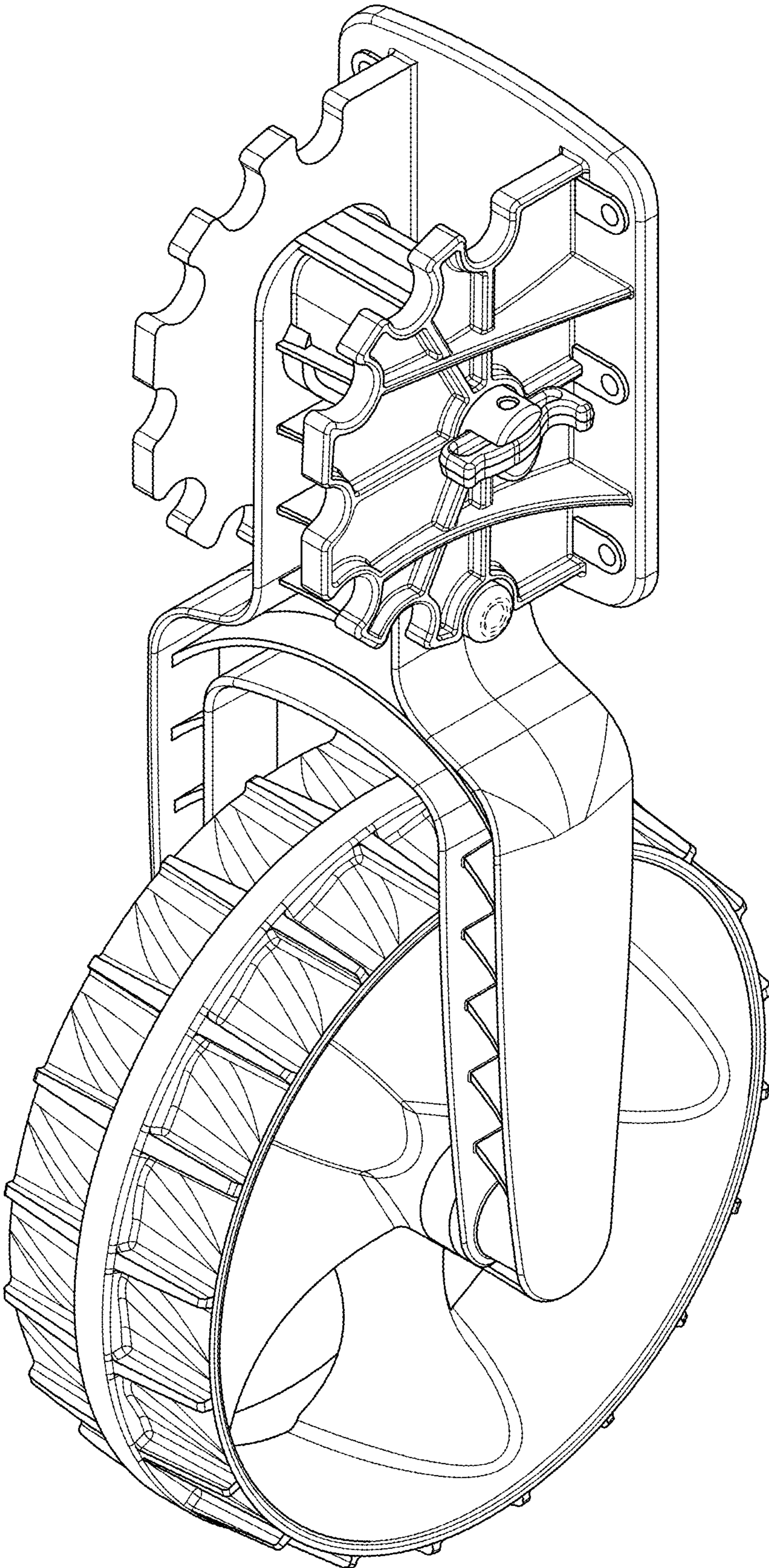


FIG. 1

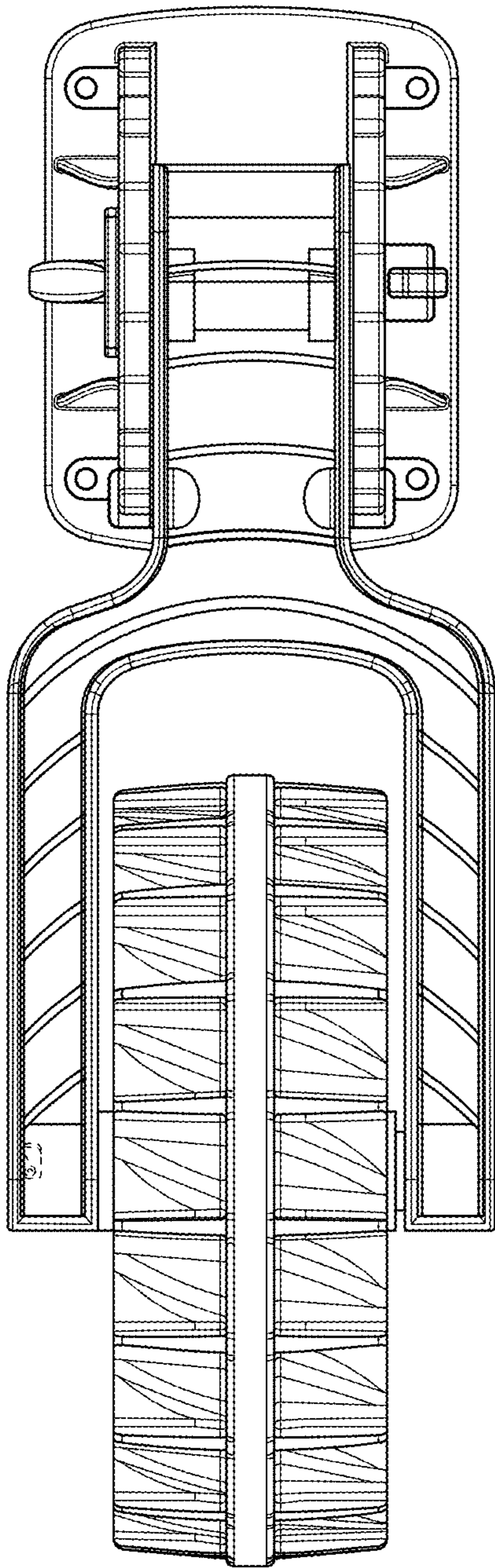


FIG. 2

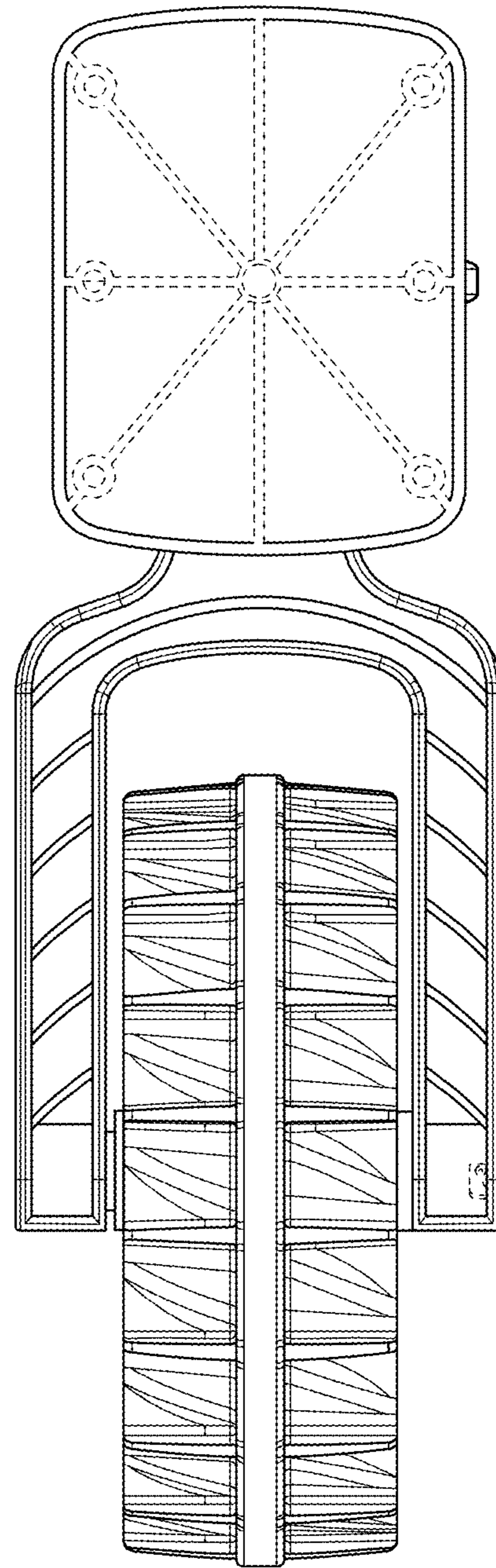


FIG. 3



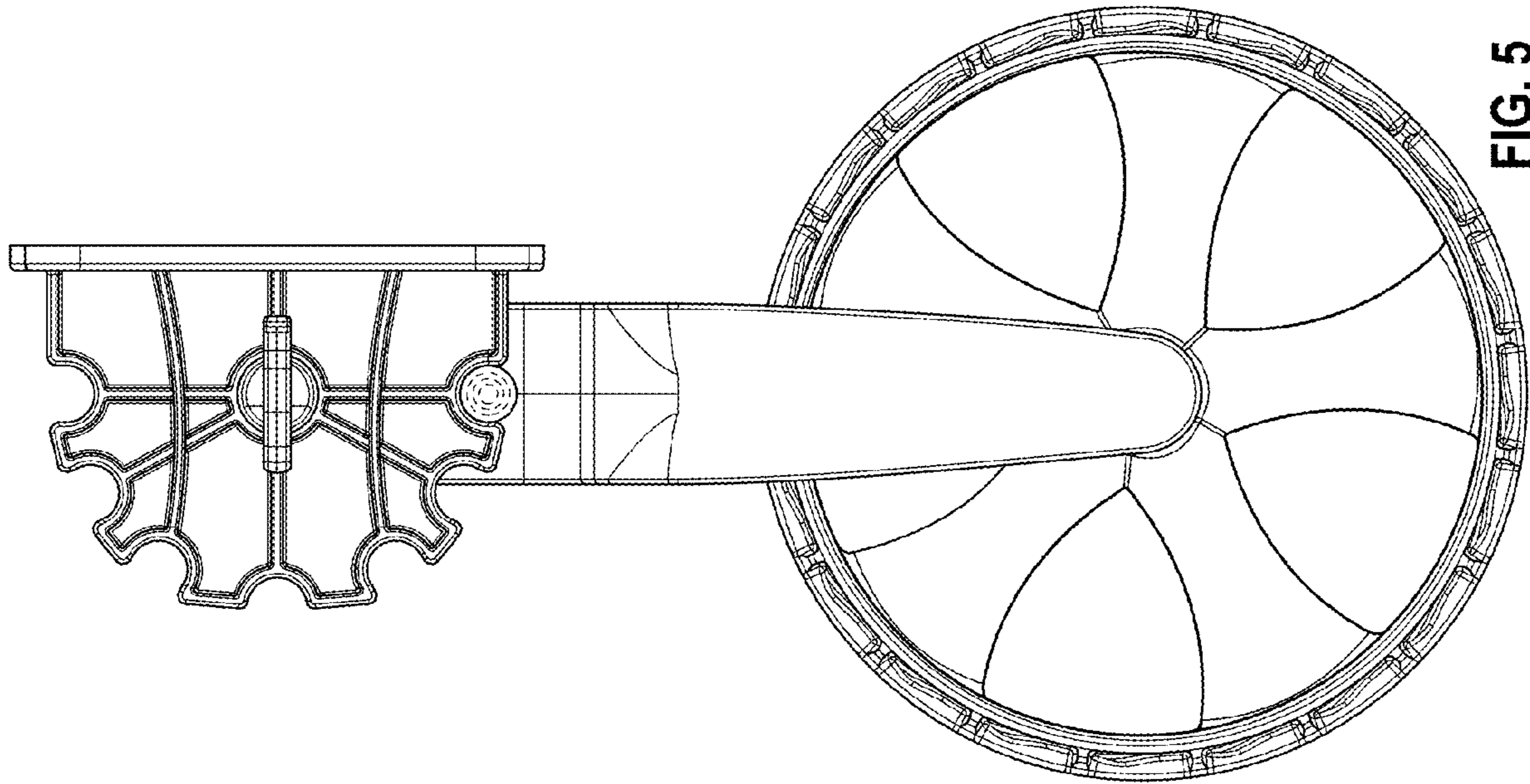


FIG. 5

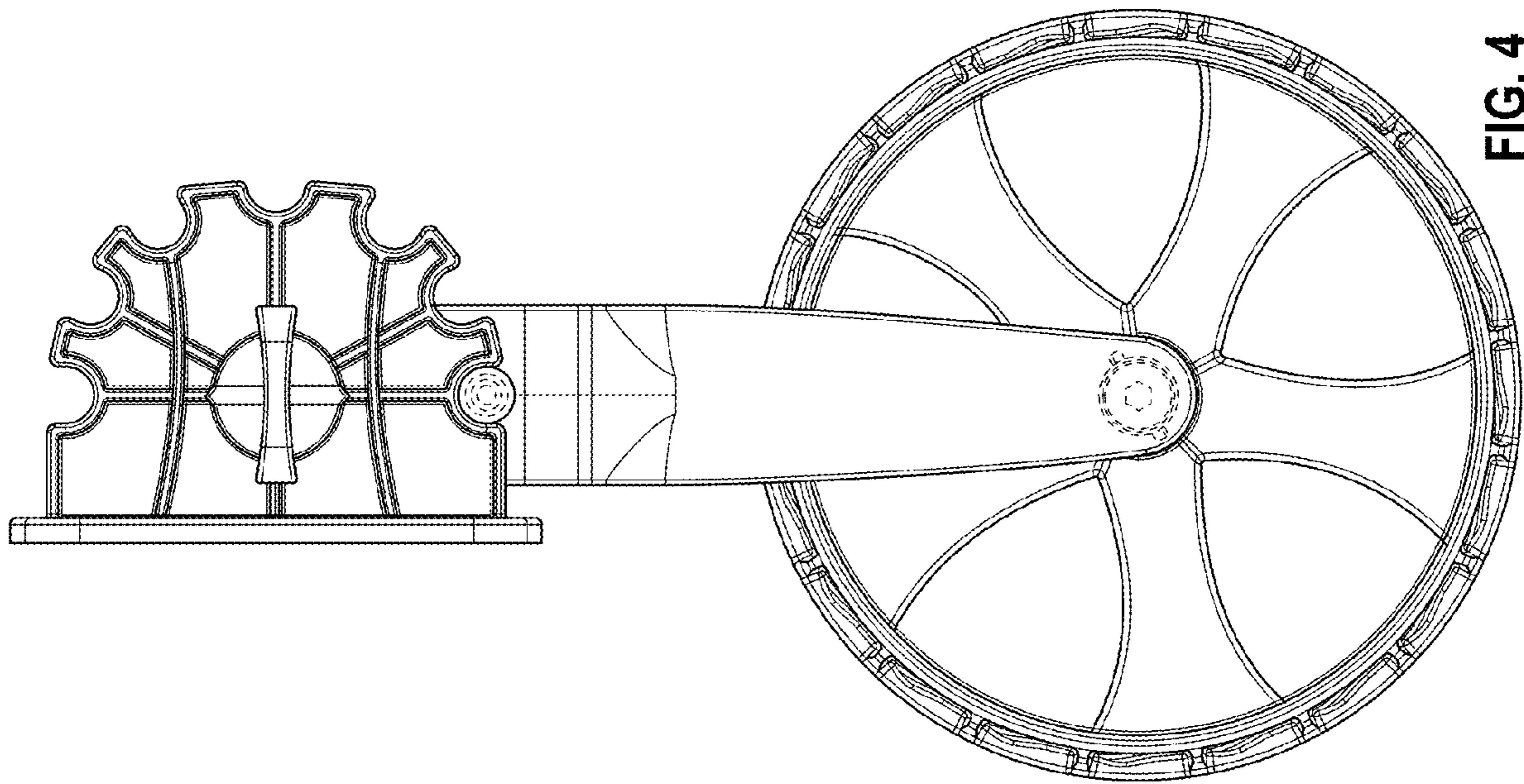


FIG. 4

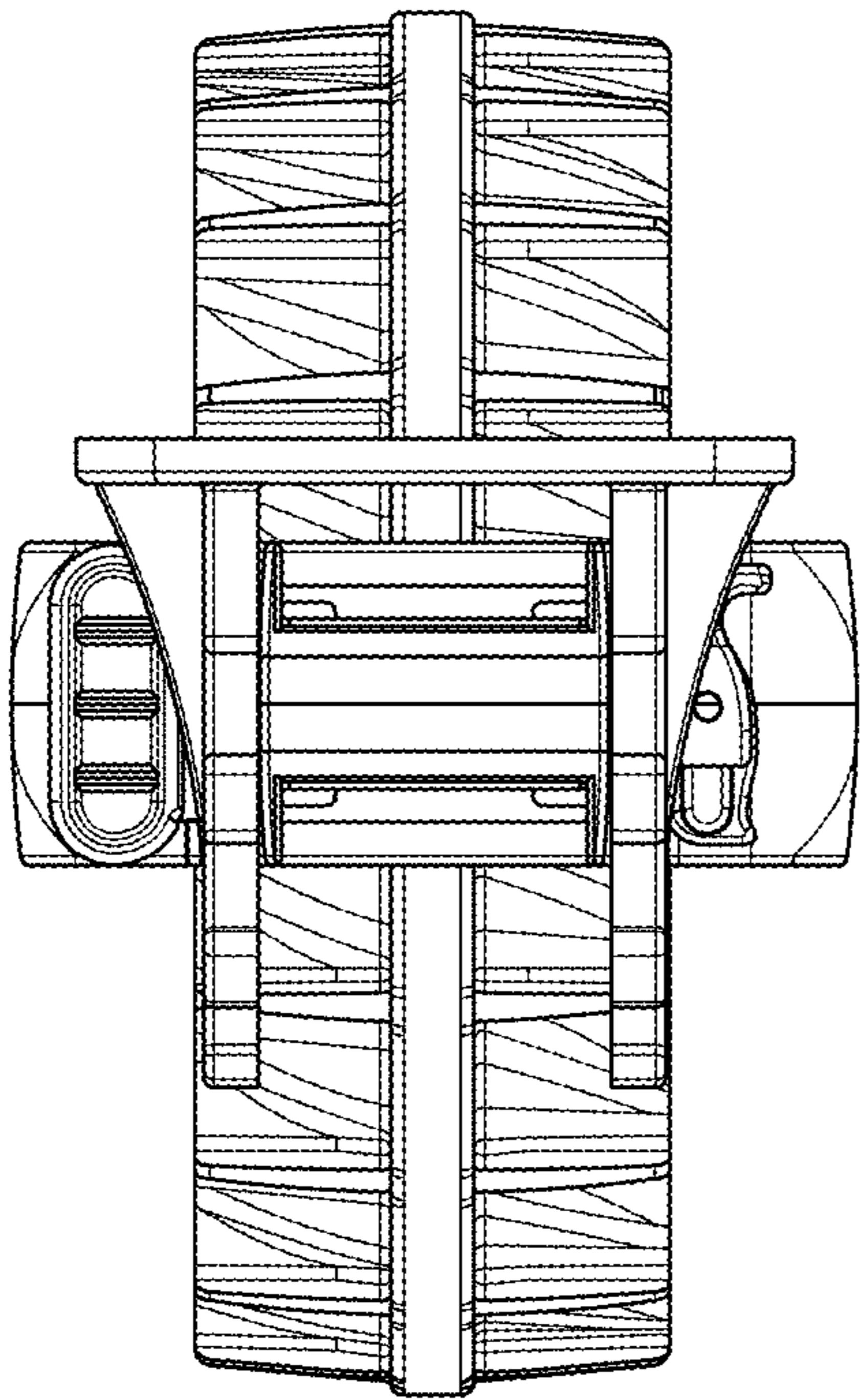


FIG. 6

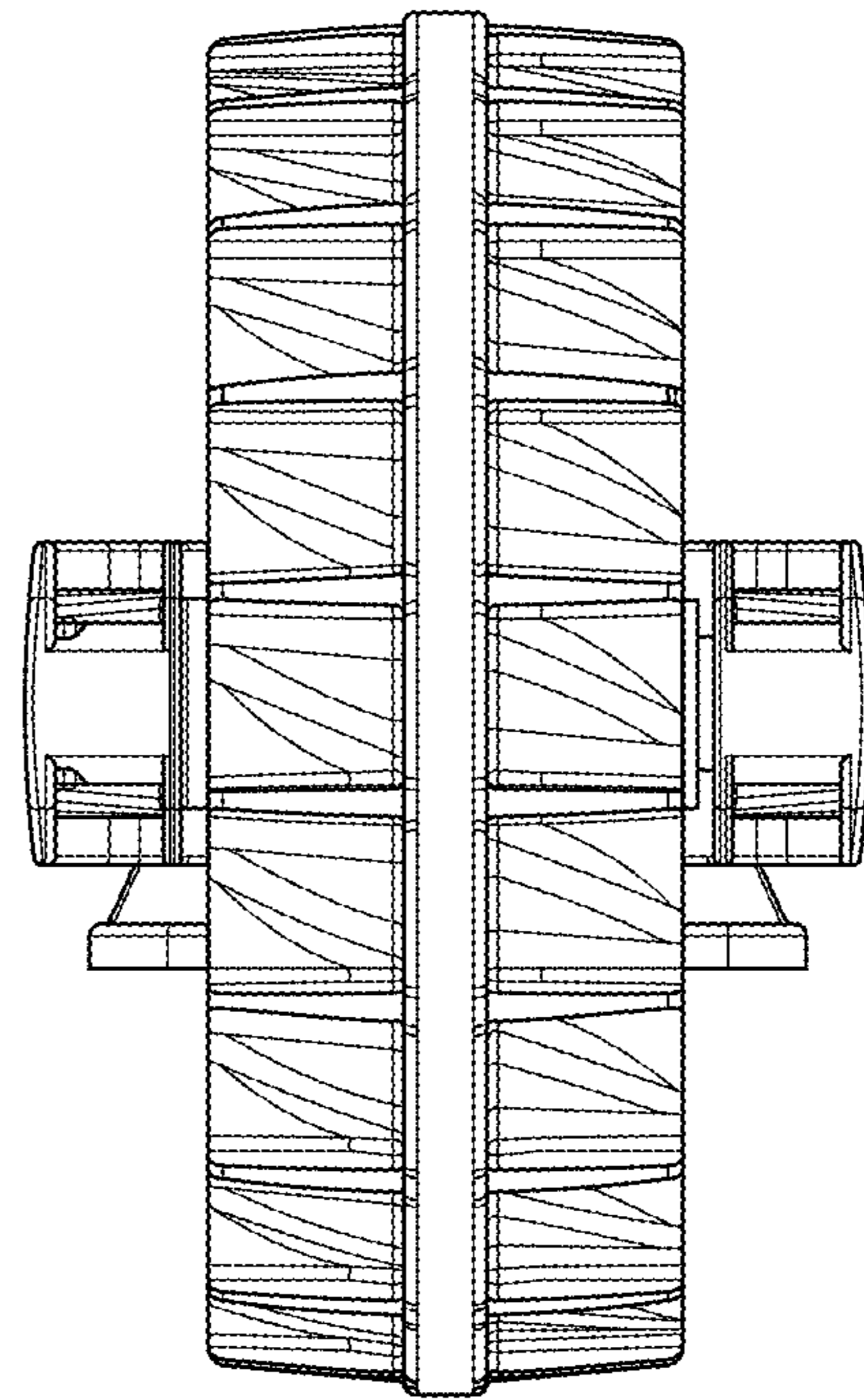


FIG. 7



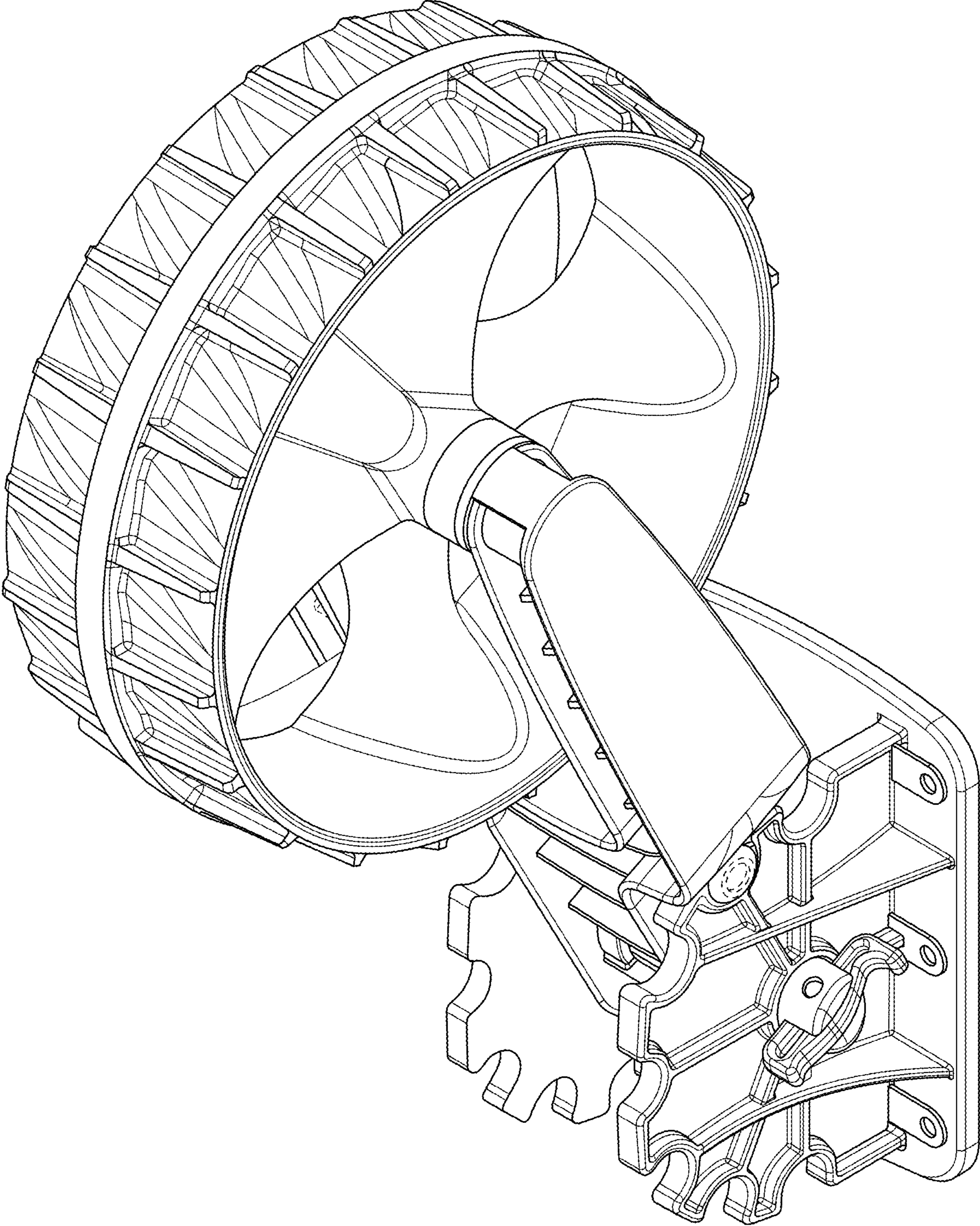


FIG. 8

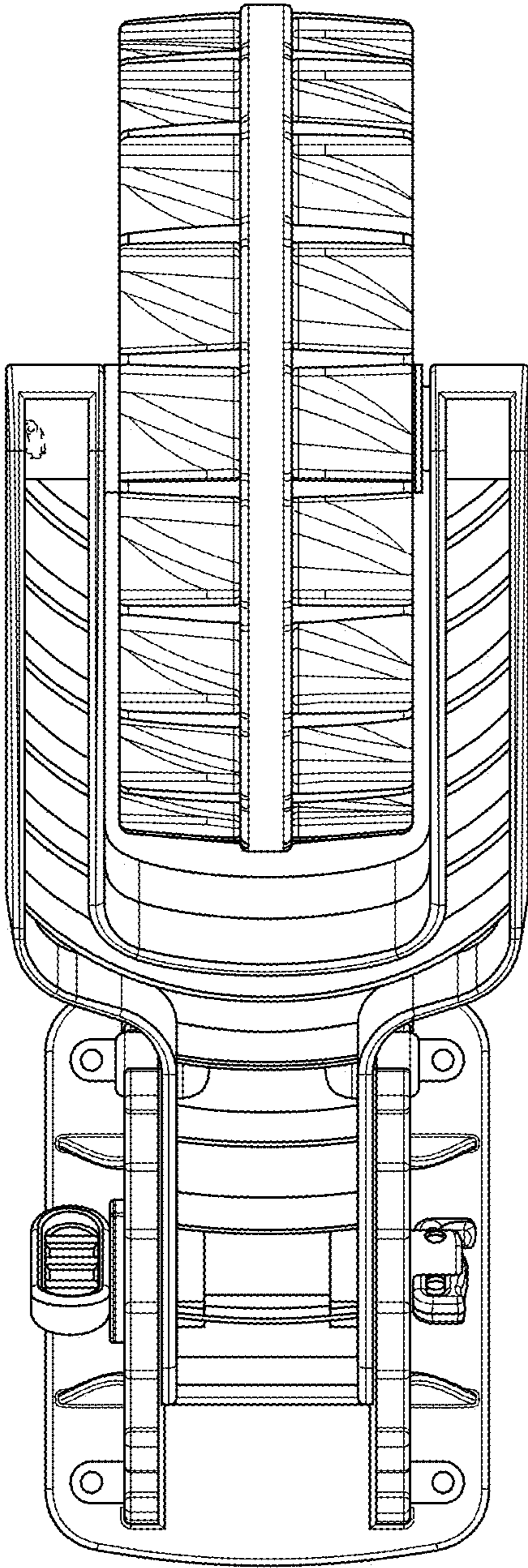


FIG. 9

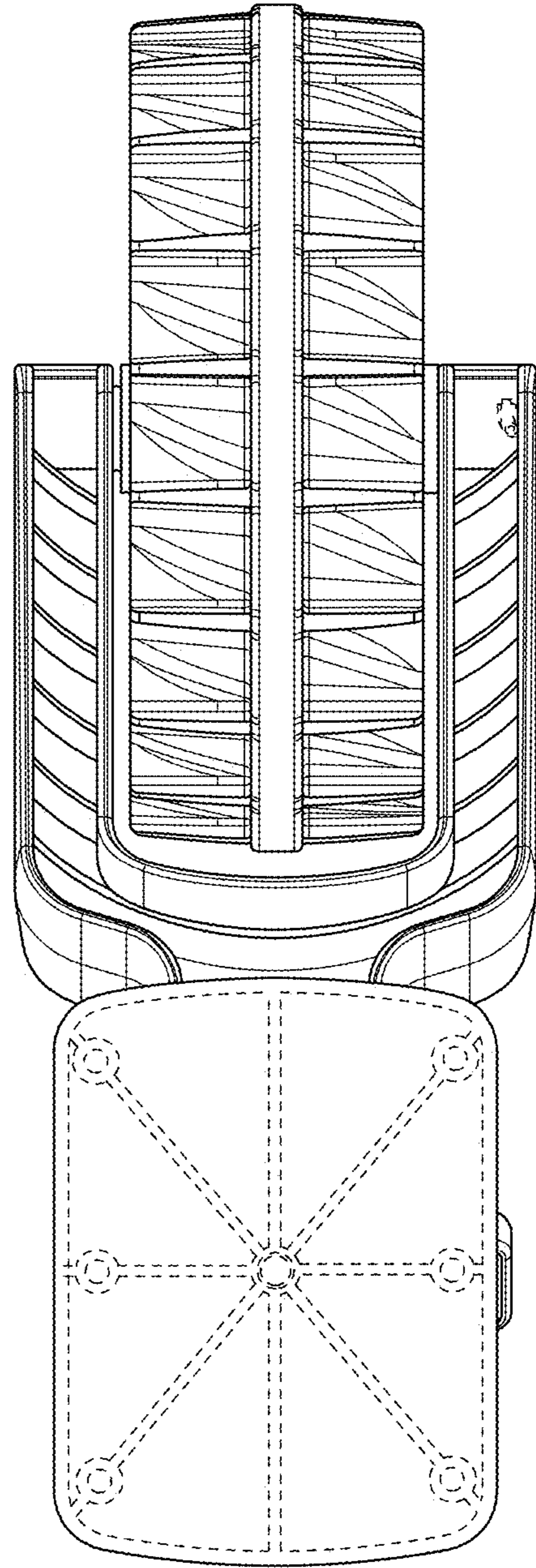


FIG. 10



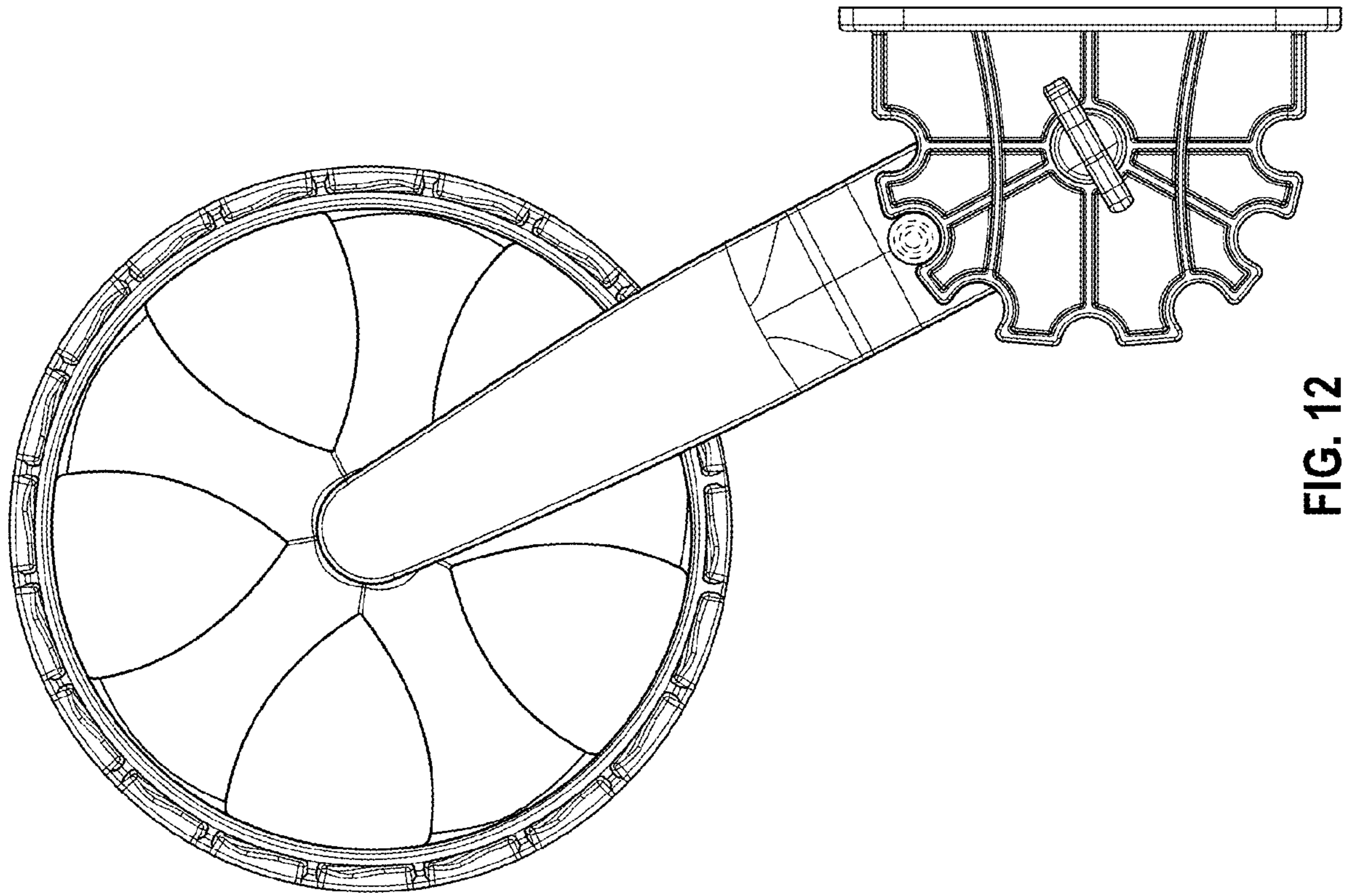


FIG. 12

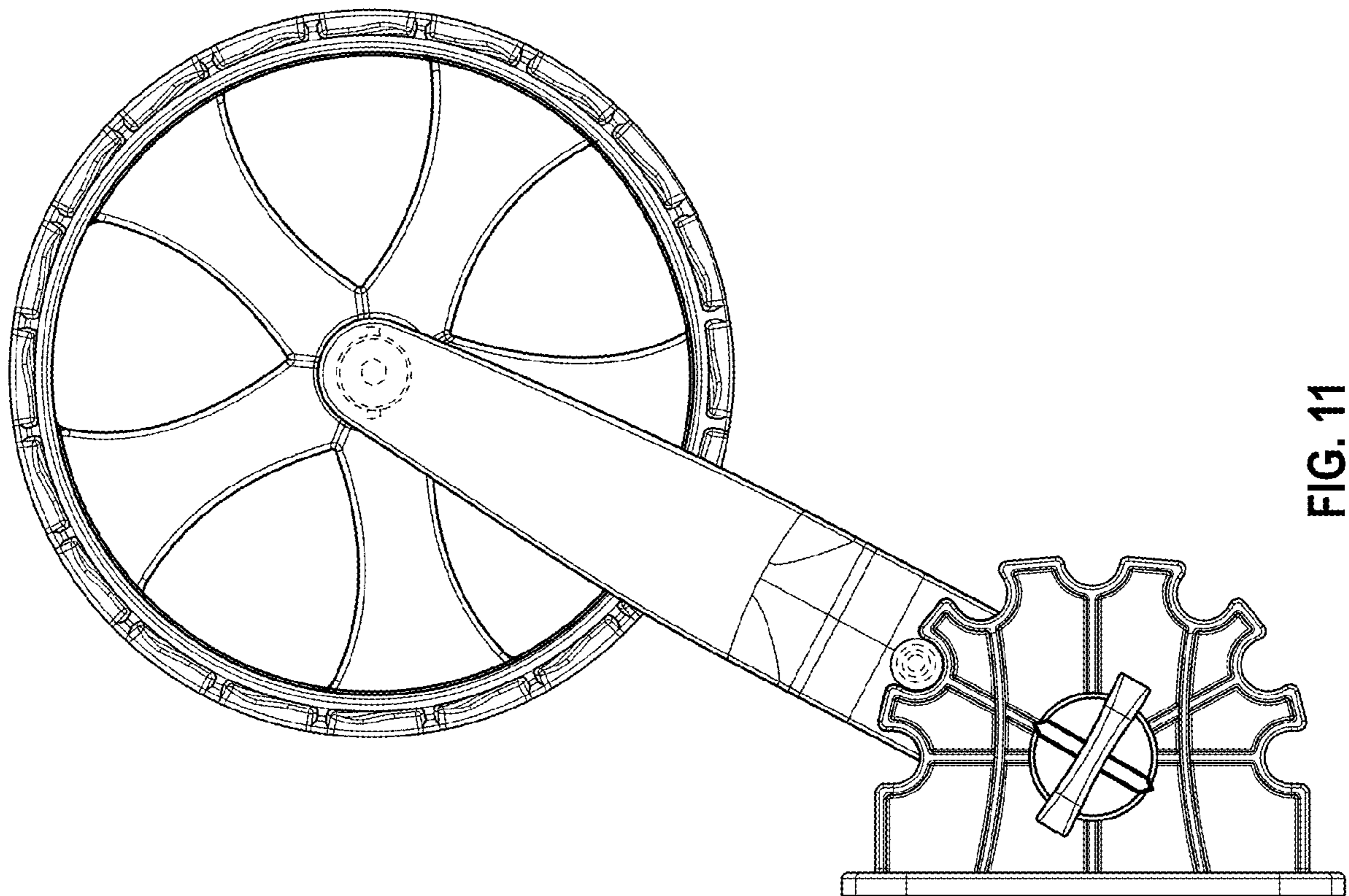


FIG. 11

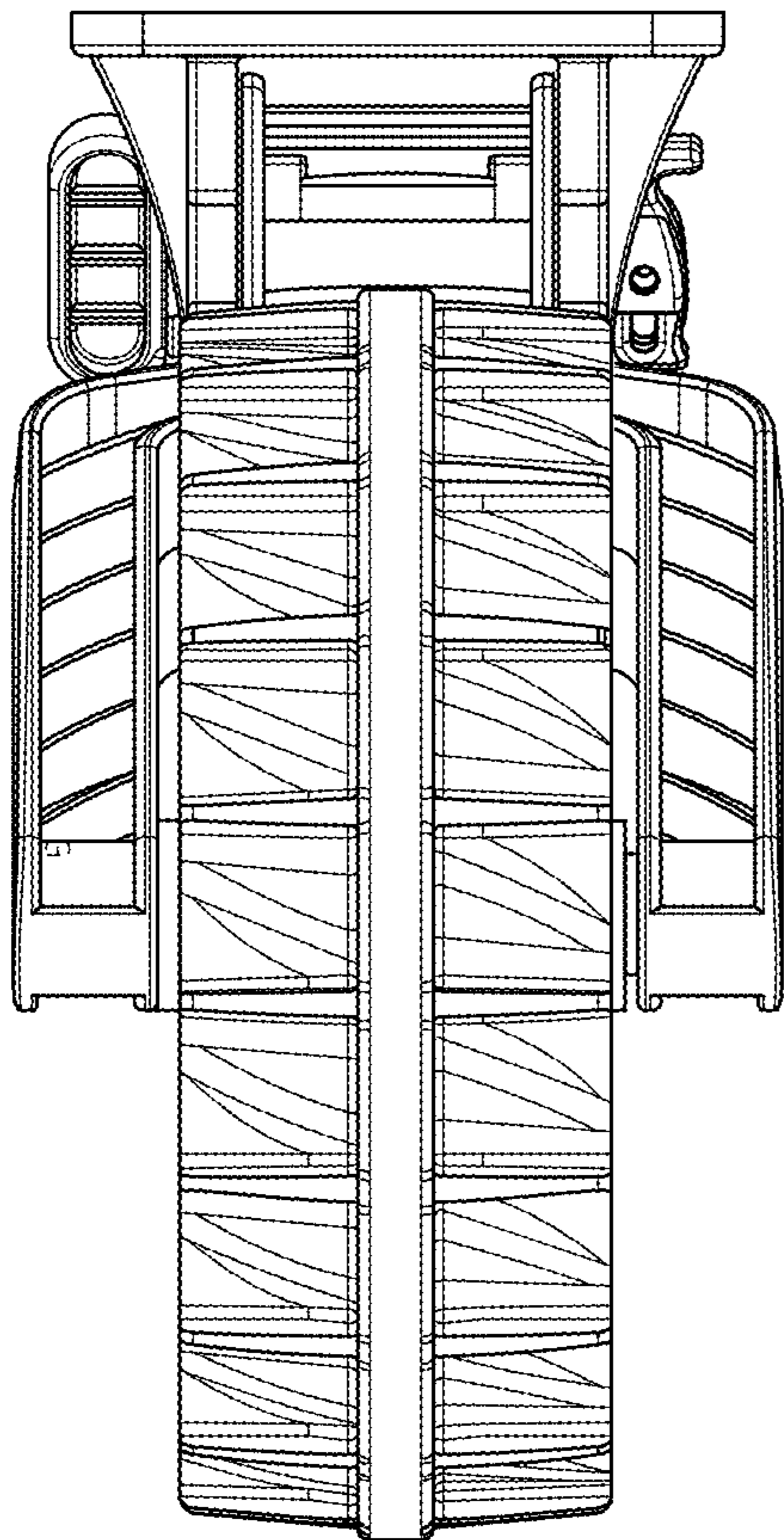


FIG. 13

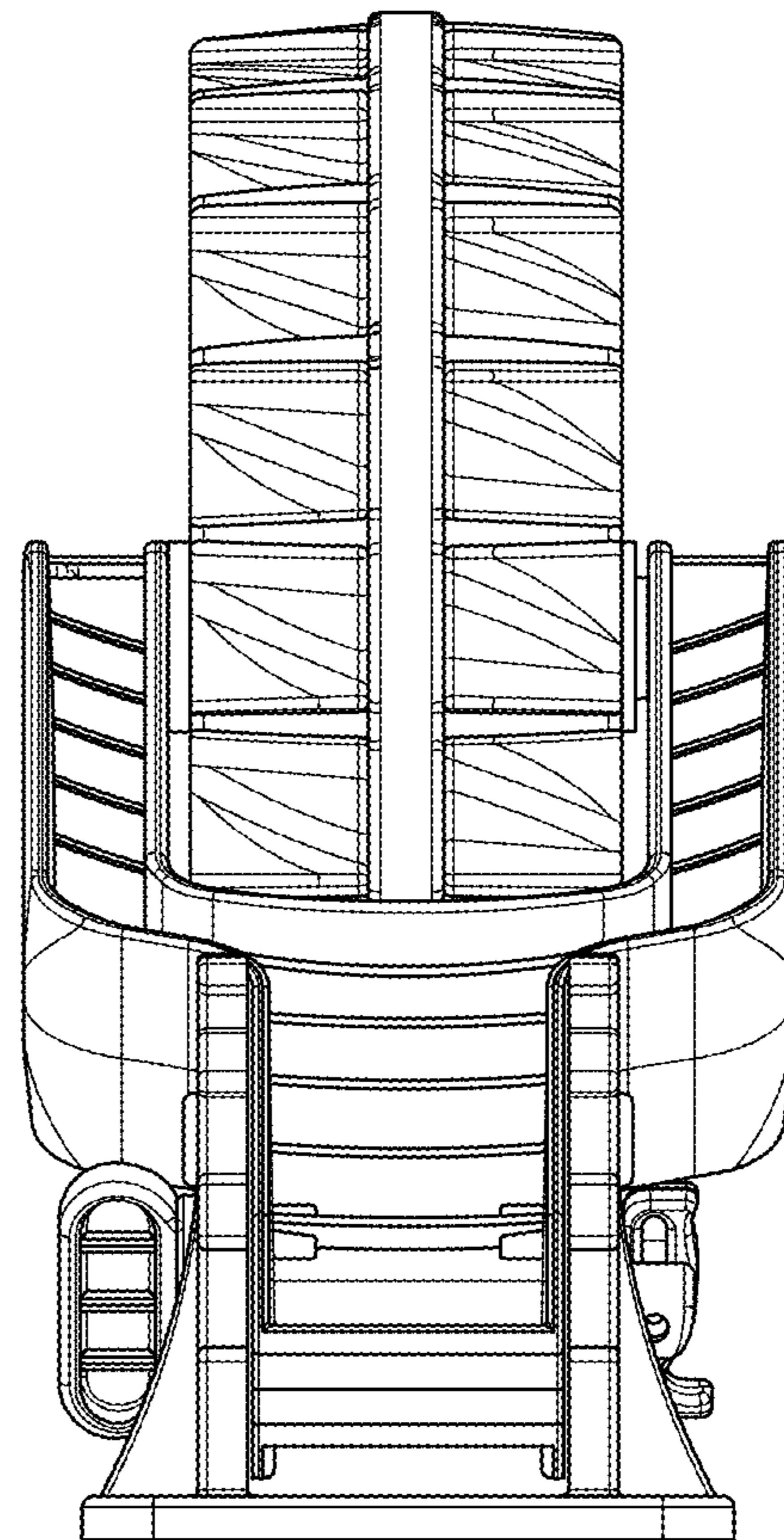


FIG. 14