



US00D900001S

(12) **United States Design Patent**
Hixson

(10) **Patent No.:** **US D900,001 S**

(45) **Date of Patent:** **** Oct. 27, 2020**

(54) **BOAT**

(71) Applicant: **Burt H. Hixson**, Newport Beach, CA
(US)

(72) Inventor: **Burt H. Hixson**, Newport Beach, CA
(US)

(**) Term: **15 Years**

(21) Appl. No.: **29/632,246**

(22) Filed: **Jan. 5, 2018**

(51) **LOC (12) Cl.** **12-06**

(52) **U.S. Cl.**
USPC **D12/300**

(58) **Field of Classification Search**
USPC D12/300, 302, 303, 304, 307, 310–314,
D12/316, 317
CPC B63B 17/00; B63B 17/02; B63B 35/81;
B63B 35/816; B62B 21/04
See application file for complete search history.

(56) **References Cited**

U.S. PATENT DOCUMENTS

- 4,383,828 A * 5/1983 Wynne B63B 1/08
114/343
- 4,919,063 A * 4/1990 Hall B63B 1/107
114/61.14
- D315,892 S * 4/1991 Tollefson D12/315
- D319,623 S * 9/1991 Kotzebue D12/318

- D349,881 S * 8/1994 Hilliard D12/315
- 5,413,064 A * 5/1995 Paraskevopoulos B63B 15/00
114/255
- D488,841 S * 4/2004 Yuen D21/542
- D548,666 S * 8/2007 Laupman D12/300
- D553,071 S * 10/2007 de Rover D12/315
- D587,641 S * 3/2009 Bouckaert D12/300
- D770,963 S * 11/2016 Demaria D12/300
- D810,651 S * 2/2018 Gaskins D12/300

* cited by examiner

Primary Examiner — Cynthia M. Chin

(74) *Attorney, Agent, or Firm* — Cionca IP Law P.C.;
Marin Cionca

(57) **CLAIM**

The ornamental design for a boat, as shown and described.

DESCRIPTION

FIG. 1 is a left side elevation view of a boat showing the new design;

FIG. 2 is a rear elevation view thereof;

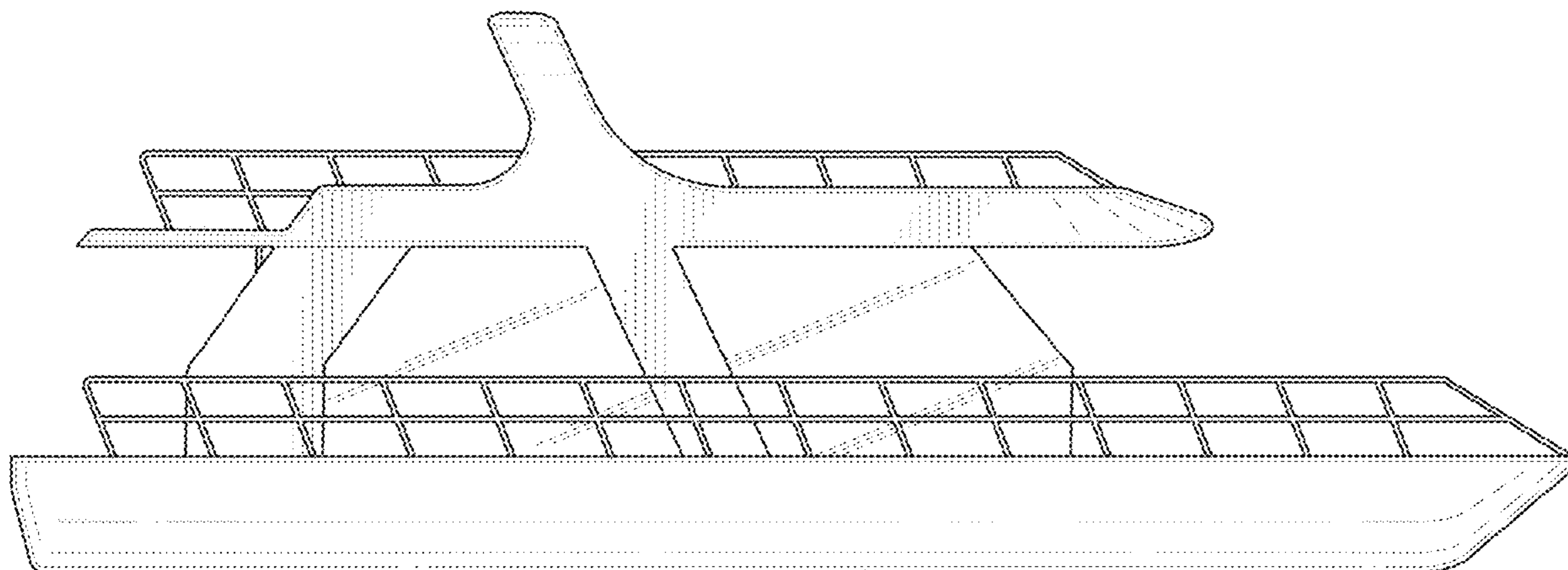
FIG. 3 is a front elevation view thereof;

FIG. 4 is a top plan view of the upper deck thereof; and,

FIG. 5 is a cutaway top plan view of the lower deck thereof, taken in the direction of line 5-5 in FIG. 3.

The broken lines and unshaded surfaces bounded by broken lines are for the purpose of illustrating portions of the article that form no part of the claimed design.

1 Claim, 5 Drawing Sheets



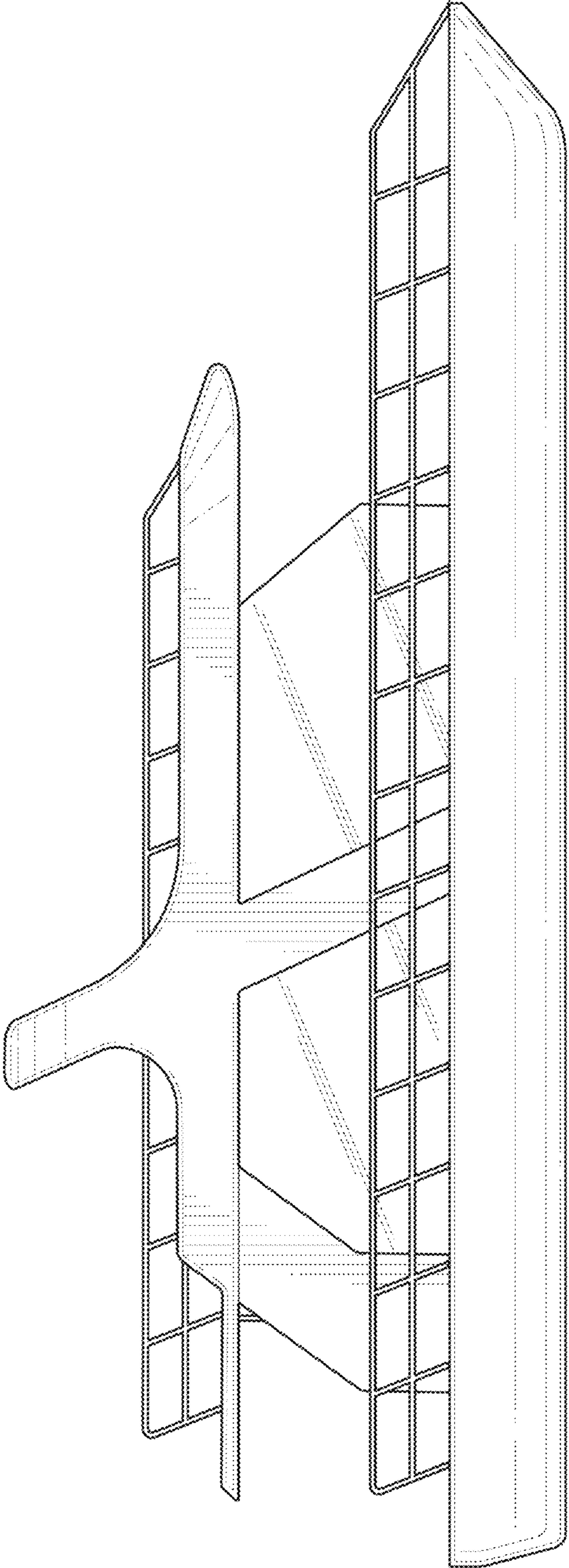


FIG. 1

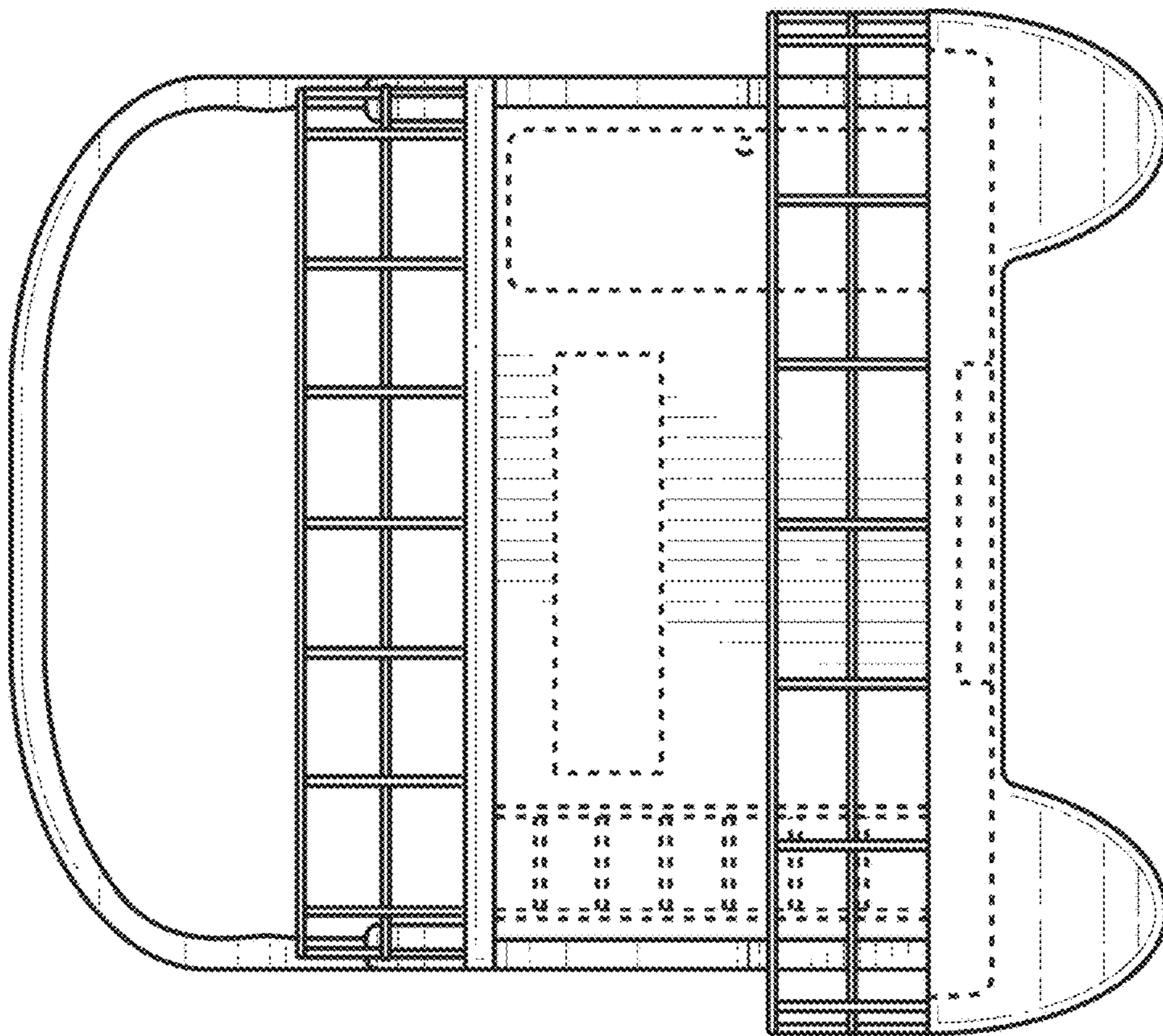


FIG. 2

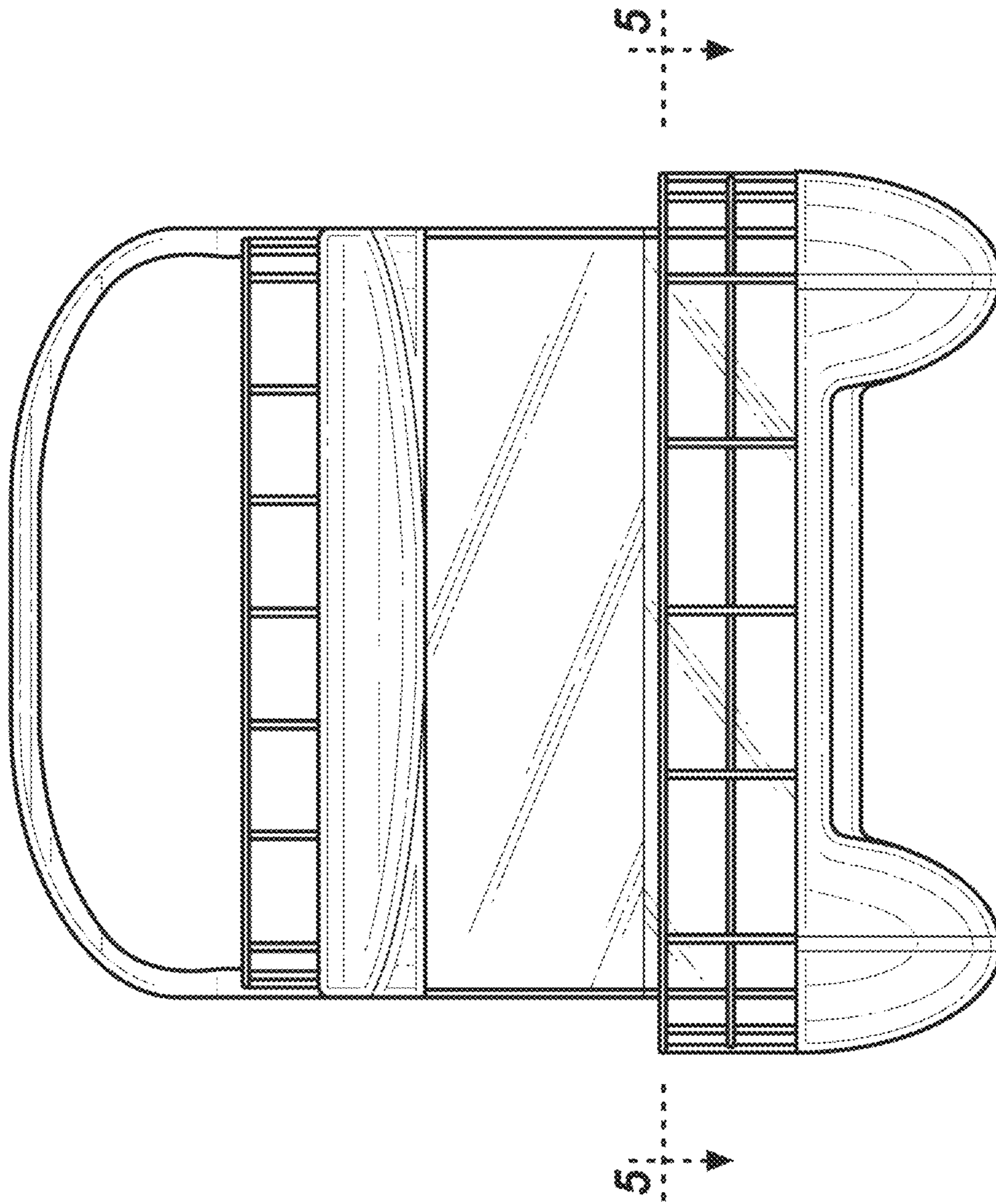


FIG. 3

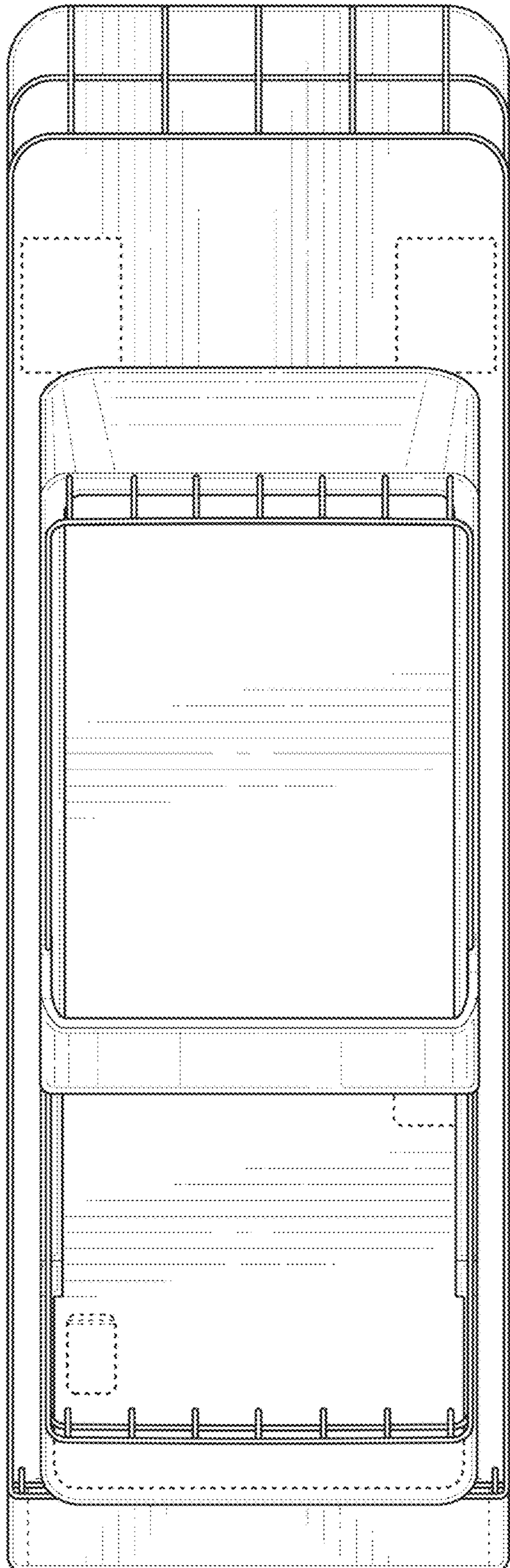


FIG. 4

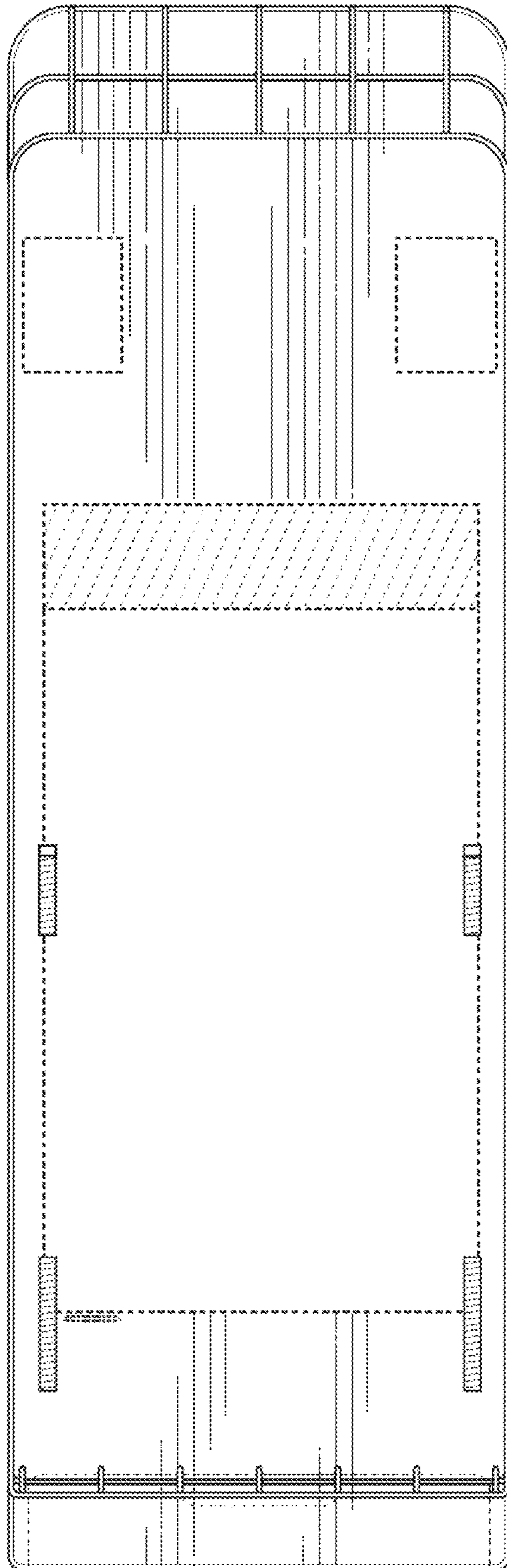


FIG. 5