



US00D900000S

(12) **United States Design Patent**
Hyun

(10) **Patent No.:** **US D900,000 S**

(45) **Date of Patent:** **** Oct. 27, 2020**

(54) **ADAPTER FOR WINDSCREEN WIPER**

(71) Applicant: **CAP Corporation**, Gyeongsangbuk-do (KR)

(72) Inventor: **Seong Chul Hyun**, Gyeonggi-do (KR)

(73) Assignee: **CAP CORPORATION** (KR)

(**) Term: **15 Years**

(21) Appl. No.: **29/683,911**

(22) Filed: **Mar. 16, 2019**

(51) **LOC (12) Cl.** **12-16**

(52) **U.S. Cl.**
USPC **D12/220**

(58) **Field of Classification Search**
USPC D12/219–220
CPC B60S 1/3801; B60S 2001/3815; B60S 1/4003

See application file for complete search history.

(56) **References Cited**

U.S. PATENT DOCUMENTS

D725,021 S *	3/2015	Poton	D12/220
D725,024 S *	3/2015	Poton	D12/220
D727,238 S *	4/2015	Lepper	D12/220
D784,242 S *	4/2017	Lee	D12/220
D784,243 S *	4/2017	Lee	D12/220
D809,989 S *	2/2018	Lee	D12/220
D842,213 S *	3/2019	Lee	D12/220

D870,013 S * 12/2019 Bousset B60S 1/4048
D12/220

2014/0215747 A1* 8/2014 Yang B60S 1/4003
15/250.32

2017/0274872 A1* 9/2017 Gaucher B60S 1/4019
2018/0162326 A1* 6/2018 Gaucher B60S 1/387

* cited by examiner

Primary Examiner — Katrina A Betton

(74) *Attorney, Agent, or Firm* — Grossman, Tucker, Perreault & Pfleger, PLLC

(57) **CLAIM**

The ornamental design of an adapter for a windshield wiper, as shown and described.

DESCRIPTION

FIG. 1 is a perspective view of an adapter for windshield wiper.

FIG. 2 is a front view of the adapter for windshield wiper.

FIG. 3 is a rear view of the adapter for windshield wiper.

FIG. 4 is a left side view of the adapter for windshield wiper.

FIG. 5 is a right side view of the adapter for windshield wiper.

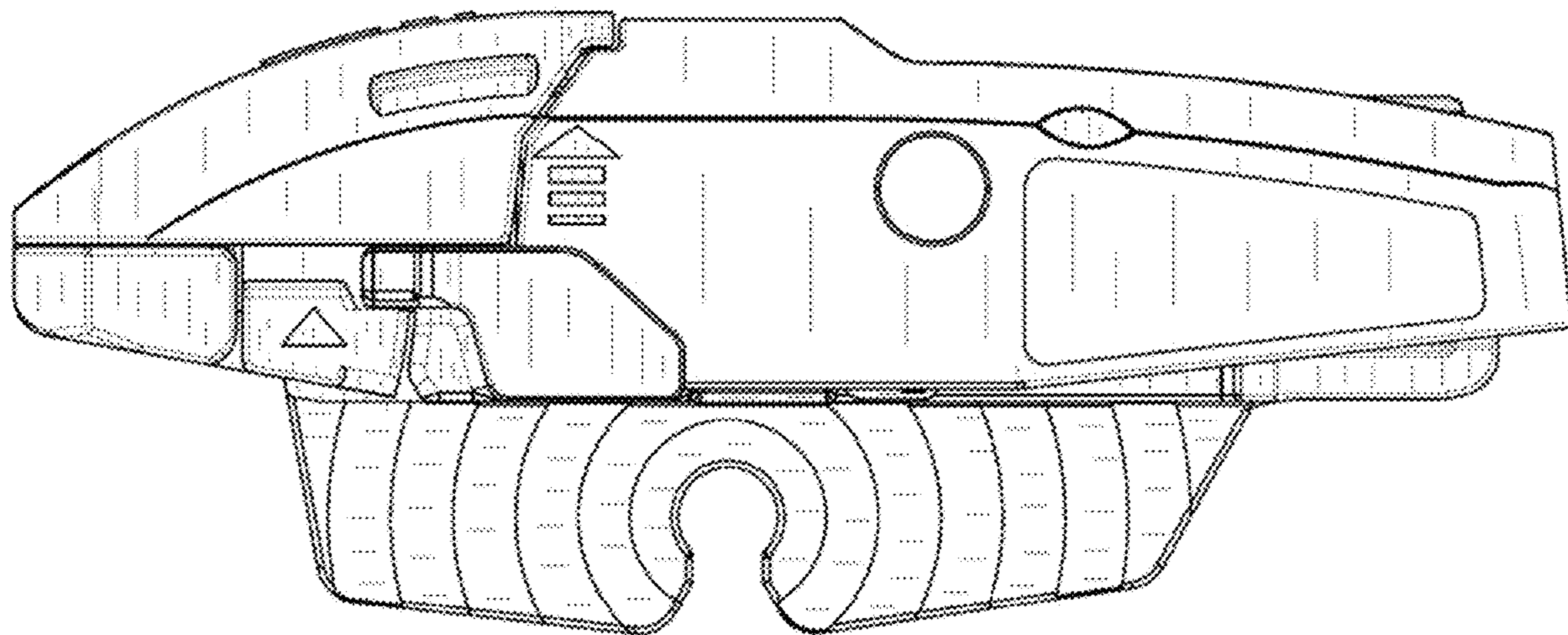
FIG. 6 is a top plan view of the adapter for windshield wiper.

FIG. 7 is a bottom plan view of the adapter for windshield wiper.

FIG. 8 is a cross-sectional view of the adapter for windshield wiper, shown along the A-A' line in FIG. 6; and,

FIG. 9 shows the adapter of FIG. 1 with the cap portion opened.

1 Claim, 9 Drawing Sheets



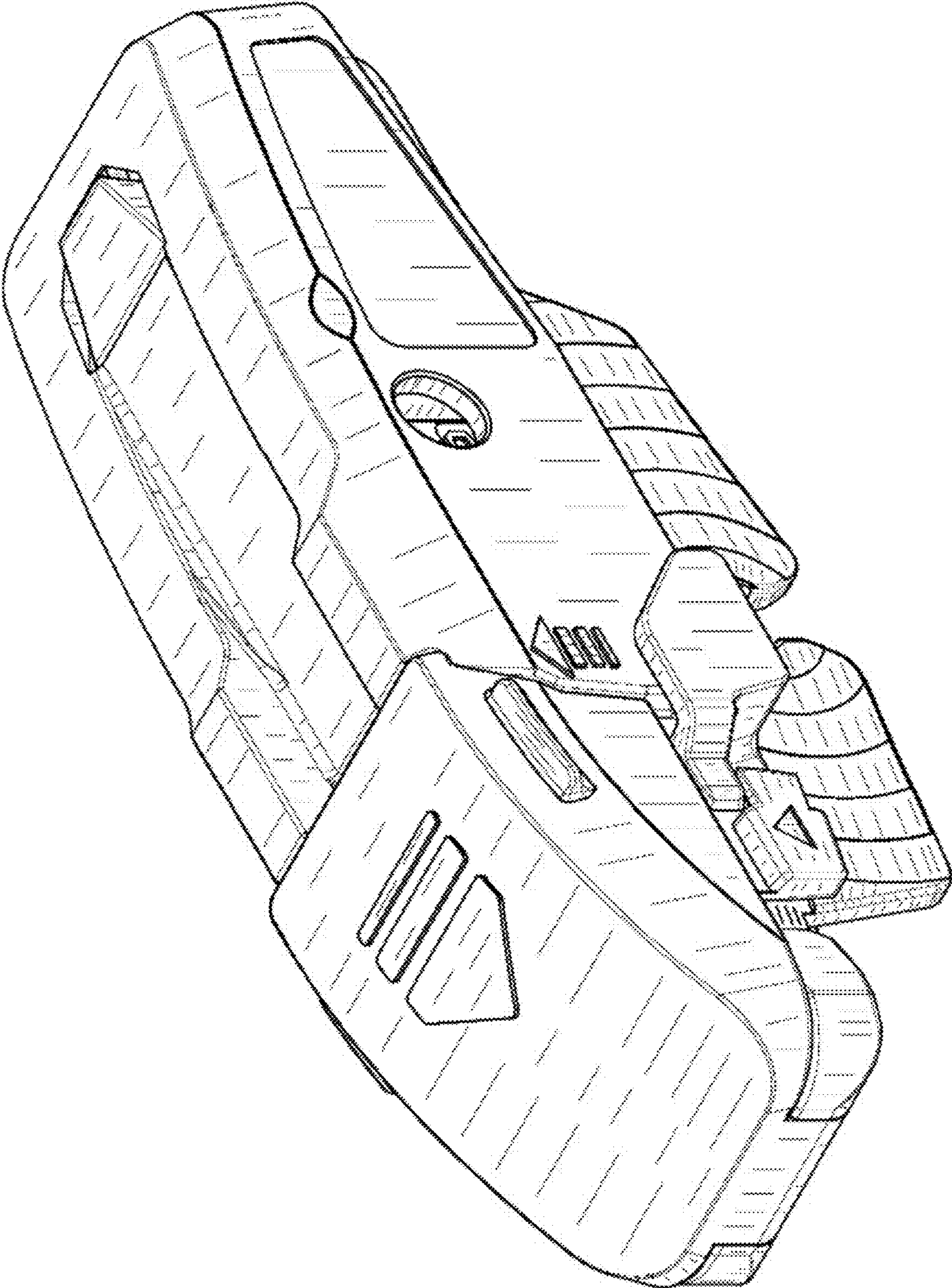


FIG. 1

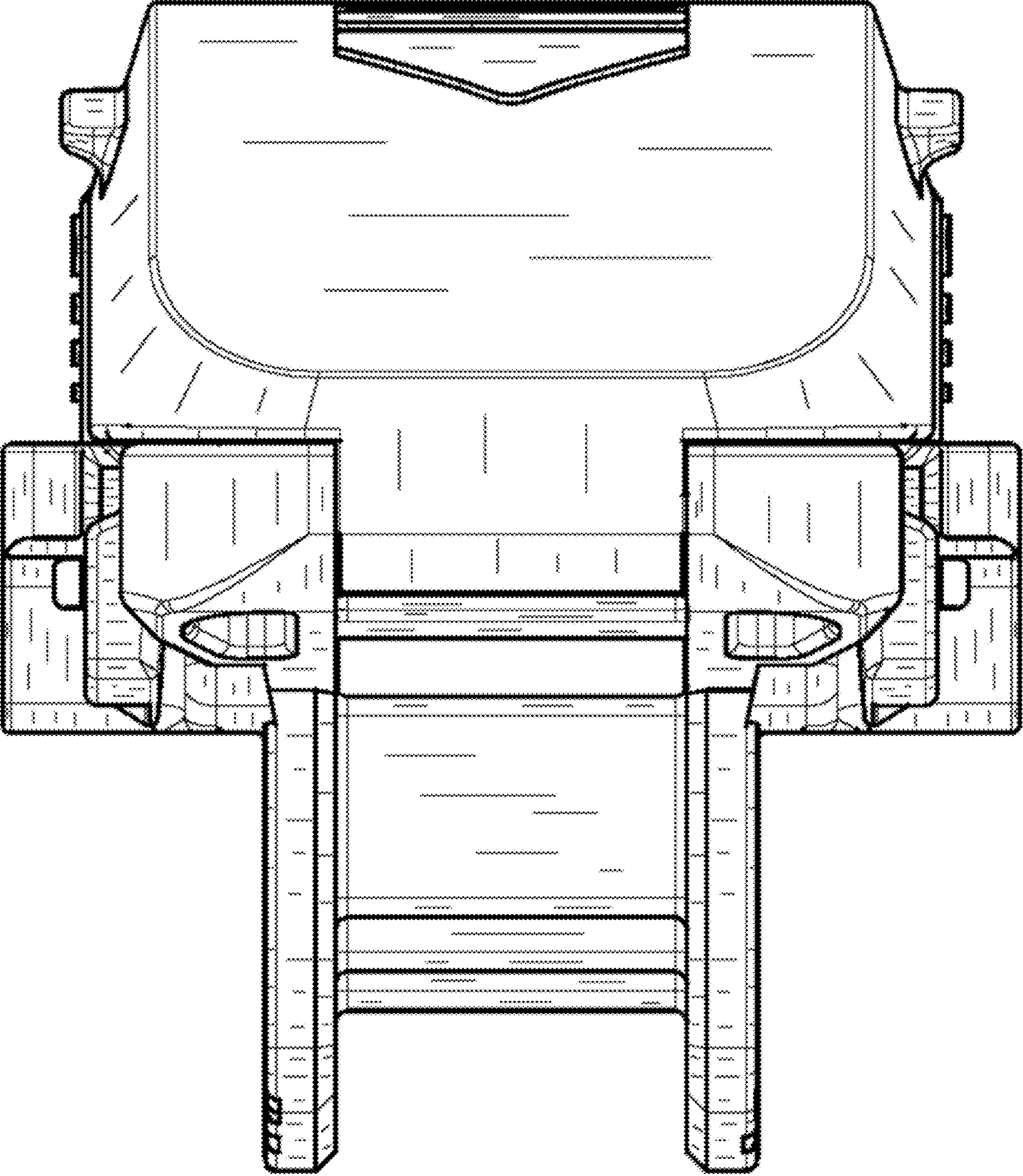


FIG. 2

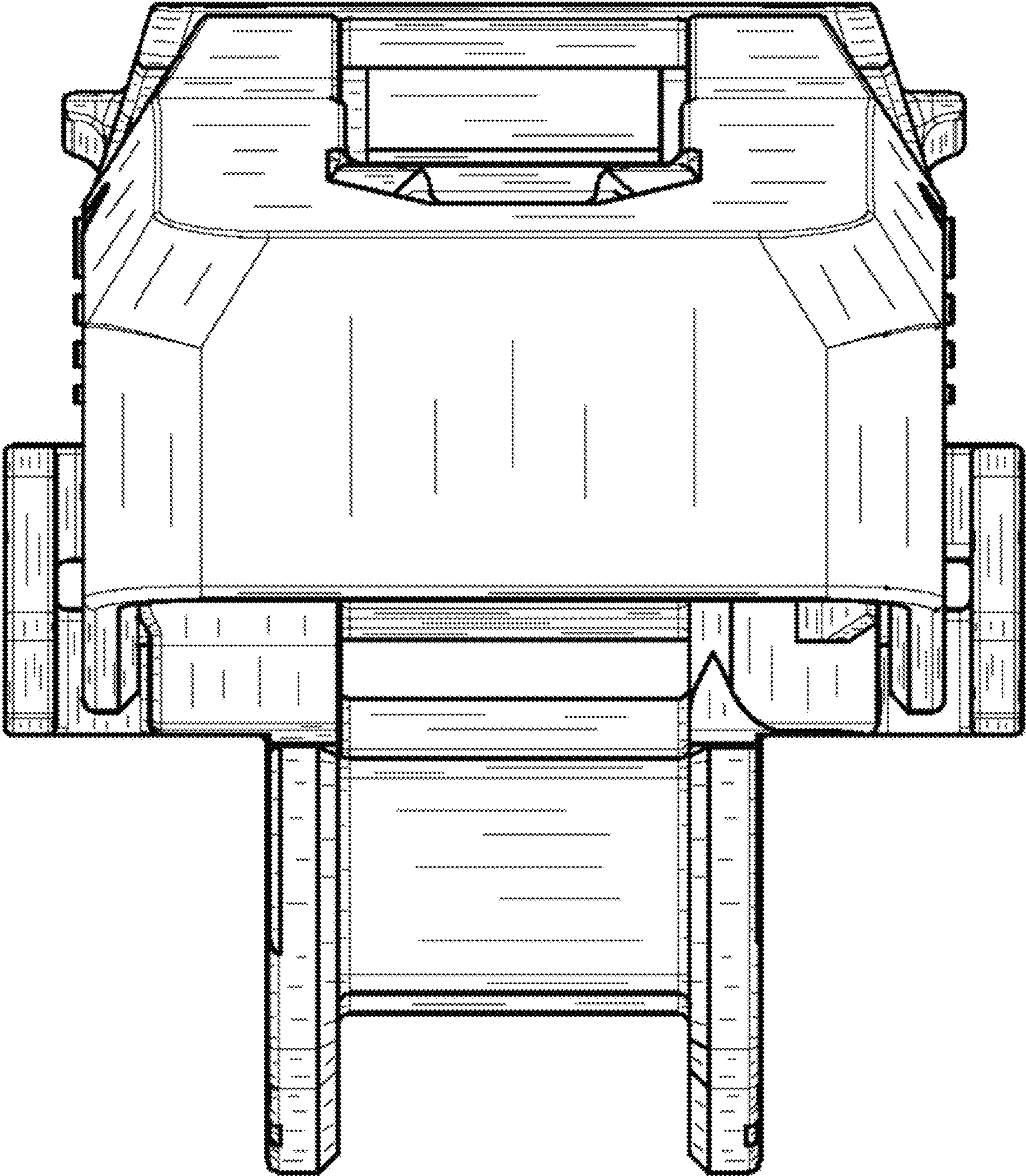


FIG. 3

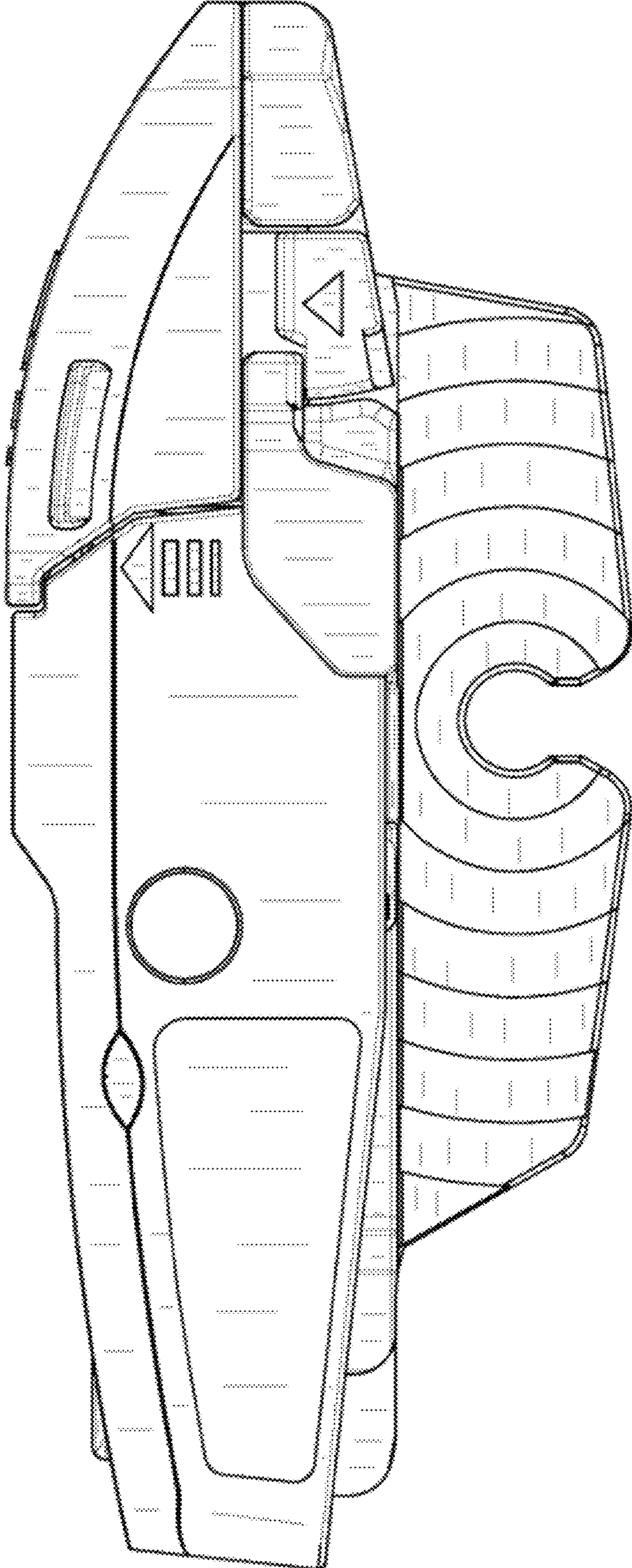


FIG. 4

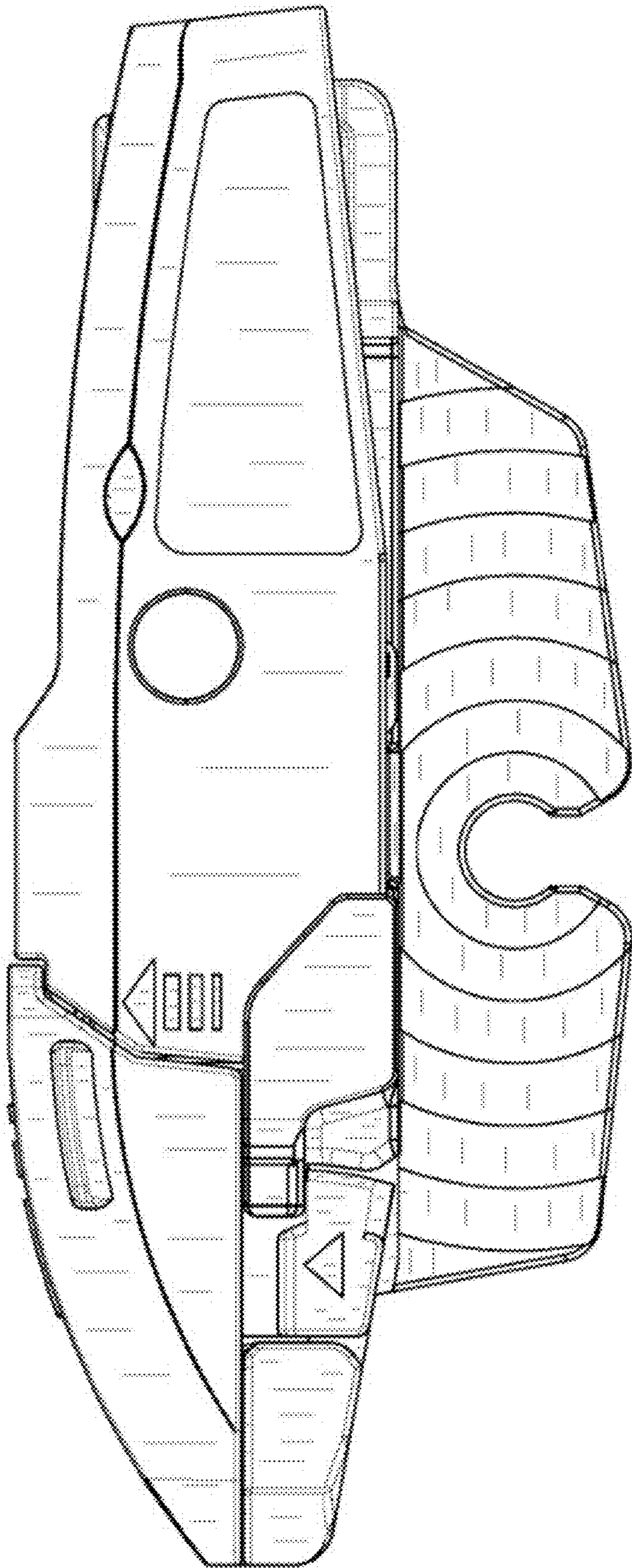


FIG. 5

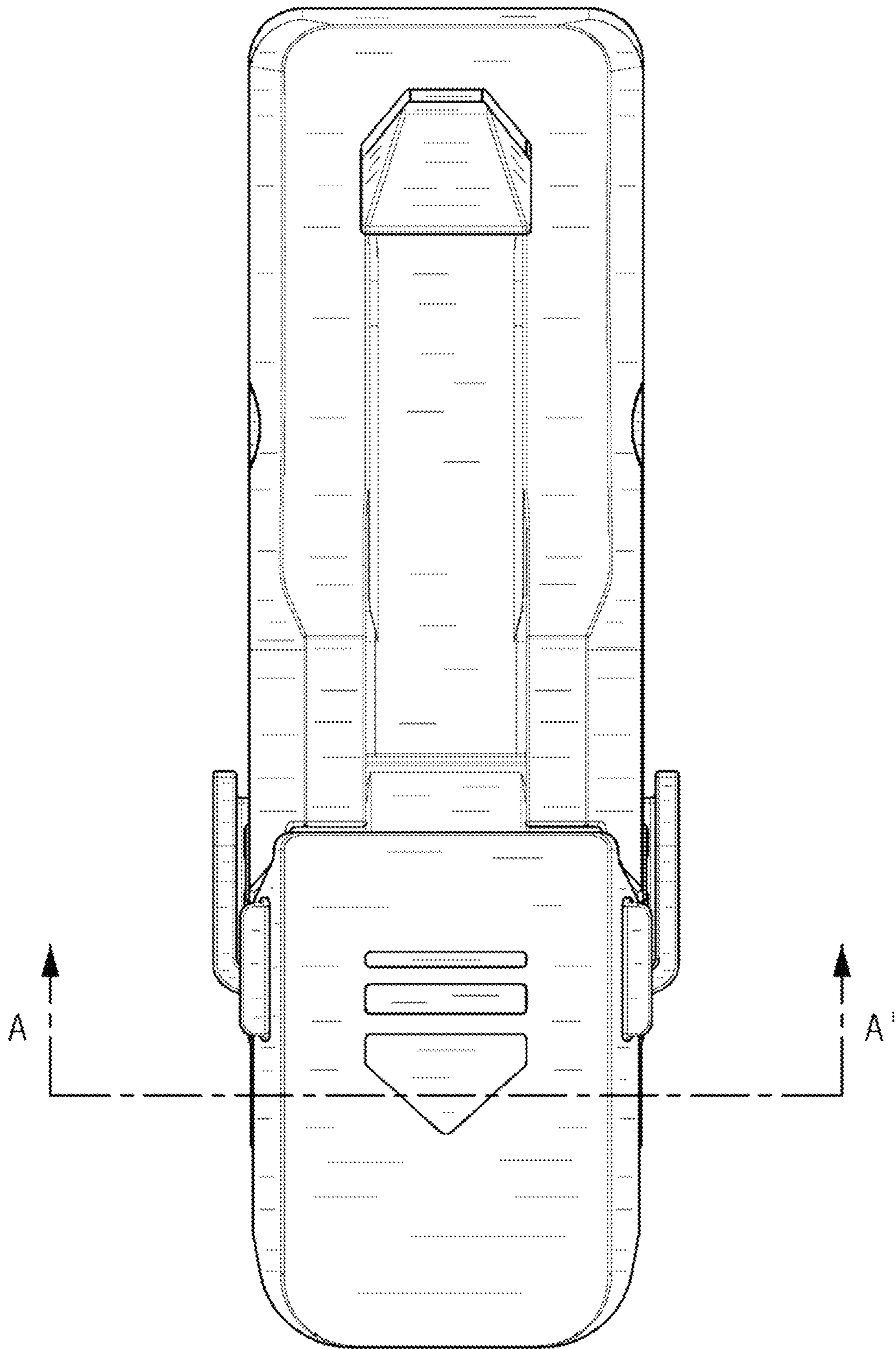


FIG. 6

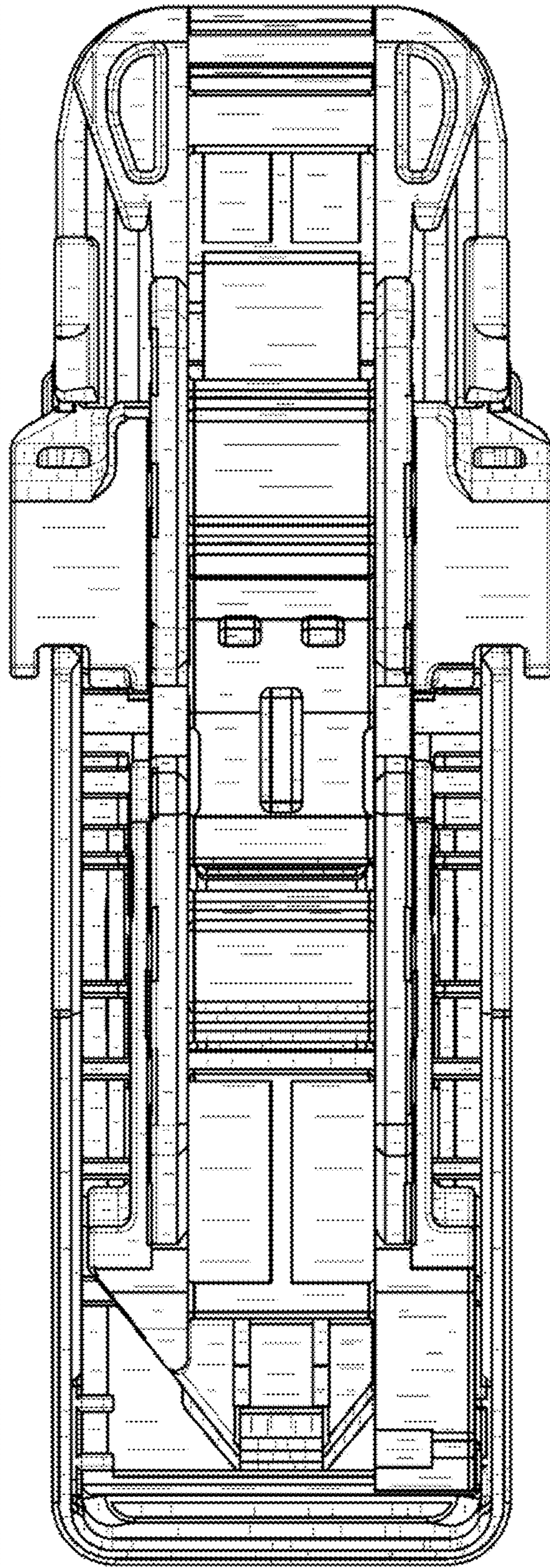


FIG. 7

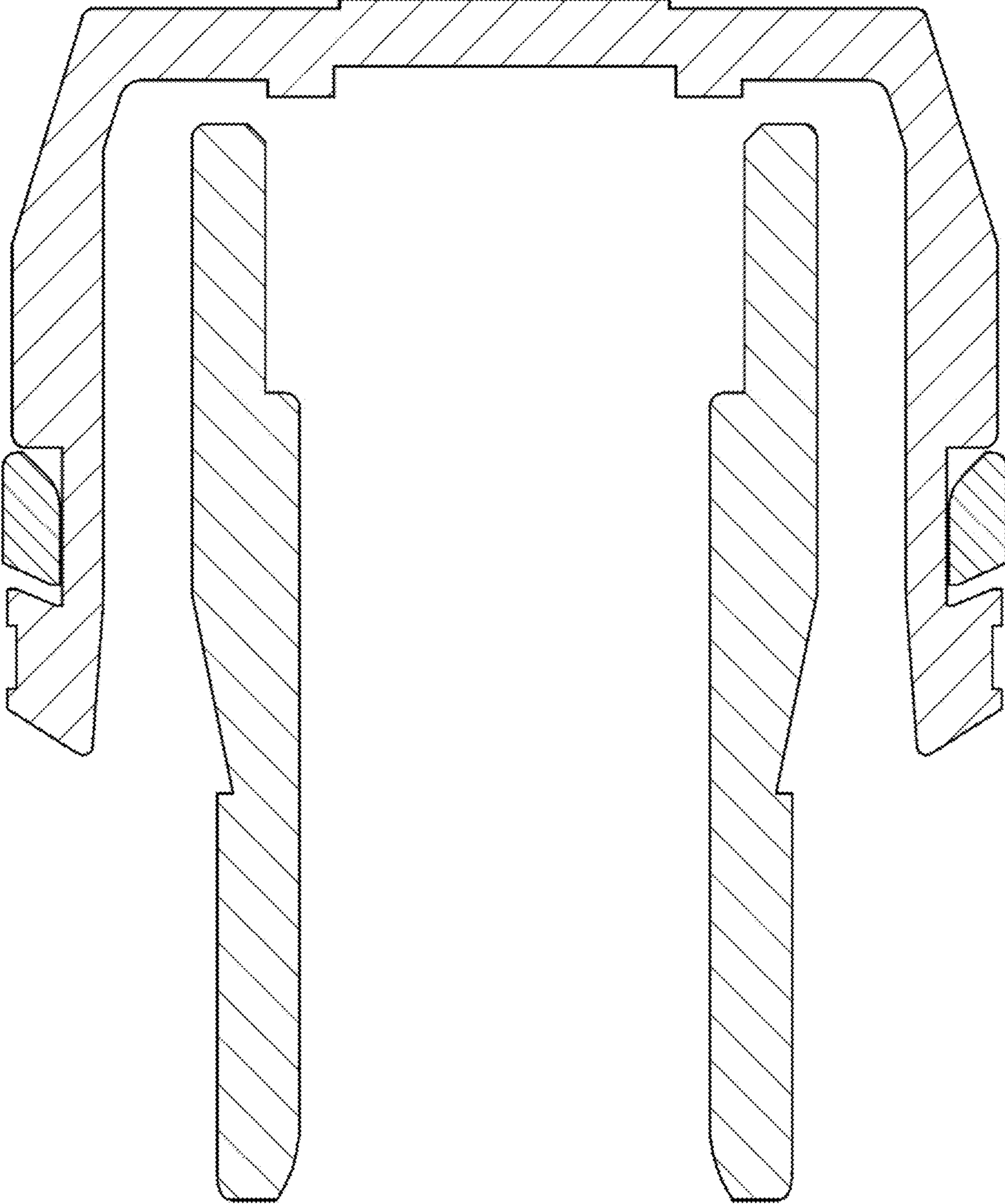


FIG. 8

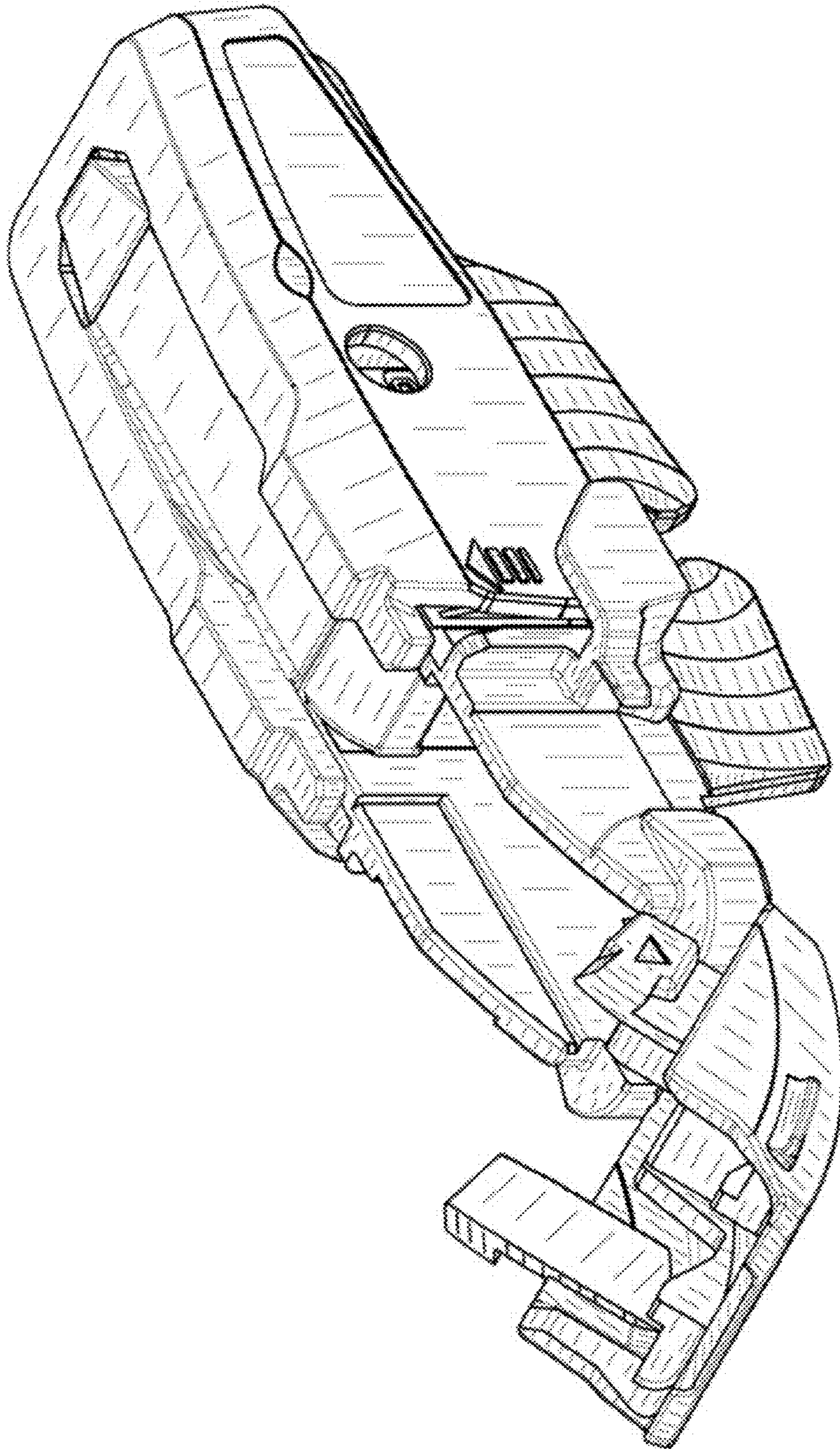


FIG. 9