



US00D89997S

(12) **United States Design Patent**  
**Glover et al.**

(10) **Patent No.:** **US D899,997 S**

(45) **Date of Patent:** **\*\* Oct. 27, 2020**

(54) **AUTOMOBILE WHEEL**

(71) Applicants: **Jeremy T. Glover**, Clawson, MI (US);  
**Timothy A. Doyle**, Rochester, MI (US)

(72) Inventors: **Jeremy T. Glover**, Clawson, MI (US);  
**Timothy A. Doyle**, Rochester, MI (US)

(73) Assignee: **FCA US LLC**, Auburn Hills, MI (US)

(\*\*) Term: **15 Years**

(21) Appl. No.: **29/694,083**

(22) Filed: **Jun. 7, 2019**

(51) **LOC (12) Cl.** ..... **12-16**

(52) **U.S. Cl.**  
USPC ..... **D12/209**

(58) **Field of Classification Search**  
USPC ..... D12/204–213; D21/563  
CPC .... B60B 7/00; B60B 7/02; B60B 7/04; B60B  
7/01; B60B 7/06; B60B 3/02; B60B 3/04;  
B60B 3/06; B60B 3/10; B60B 1/00;  
B60B 1/08; B60B 1/10; B60B 1/12  
See application file for complete search history.

(56) **References Cited**

**U.S. PATENT DOCUMENTS**

D533,826 S	*	12/2006	Scheu	.....	D12/211
D542,207 S	*	5/2007	Gauffres	.....	D12/211
D623,115 S	*	9/2010	Juergens	.....	D12/211
D629,346 S	*	12/2010	Szews	.....	D12/211
D658,102 S	*	4/2012	Nissl	.....	D12/209
D682,179 S	*	5/2013	Badstuebner	.....	D12/211
D684,912 S	*	6/2013	Yamashita	.....	D12/209
D726,626 S	*	4/2015	Mays	.....	D12/211
D731,389 S	*	6/2015	Gotschke	.....	D12/211
D744,403 S	*	12/2015	Mielke	.....	D12/211

D751,486 S	*	3/2016	Reimer	.....	D12/211
D753,571 S	*	4/2016	Juergens	.....	D12/211
D761,182 S	*	7/2016	Valencia Pollex	.....	D12/211
D763,760 S	*	8/2016	Gale	.....	D12/209
D773,370 S	*	12/2016	Bucher	.....	D12/211
D777,074 S	*	1/2017	Valencia Pollex	.....	D12/211
D791,050 S	*	7/2017	Juergens	.....	D12/211
D792,830 S	*	7/2017	Groth	.....	D12/211
D808,324 S	*	1/2018	Ninov	.....	D12/211
D818,927 S	*	5/2018	Valencia Pollex	.....	D12/209
D835,559 S	*	12/2018	Langhals	.....	D12/209
D836,519 S	*	12/2018	Kikuchi	.....	D12/209
D845,858 S	*	4/2019	Chu	.....	D12/209
D847,072 S	*	4/2019	Badstuebner	.....	D12/209
D854,483 S	*	7/2019	Guth	.....	D12/211
D858,402 S	*	9/2019	Betancourt	.....	D12/209
D860,913 S	*	9/2019	Groth	.....	D12/211
D877,018 S	*	3/2020	Betancourt	.....	D12/209
D877,026 S	*	3/2020	Rosello Visa	.....	D12/209
D883,888 S	*	5/2020	Daniel	.....	D12/209

\* cited by examiner

*Primary Examiner* — Stacia A Cadmus  
(74) *Attorney, Agent, or Firm* — Ralph E. Smith

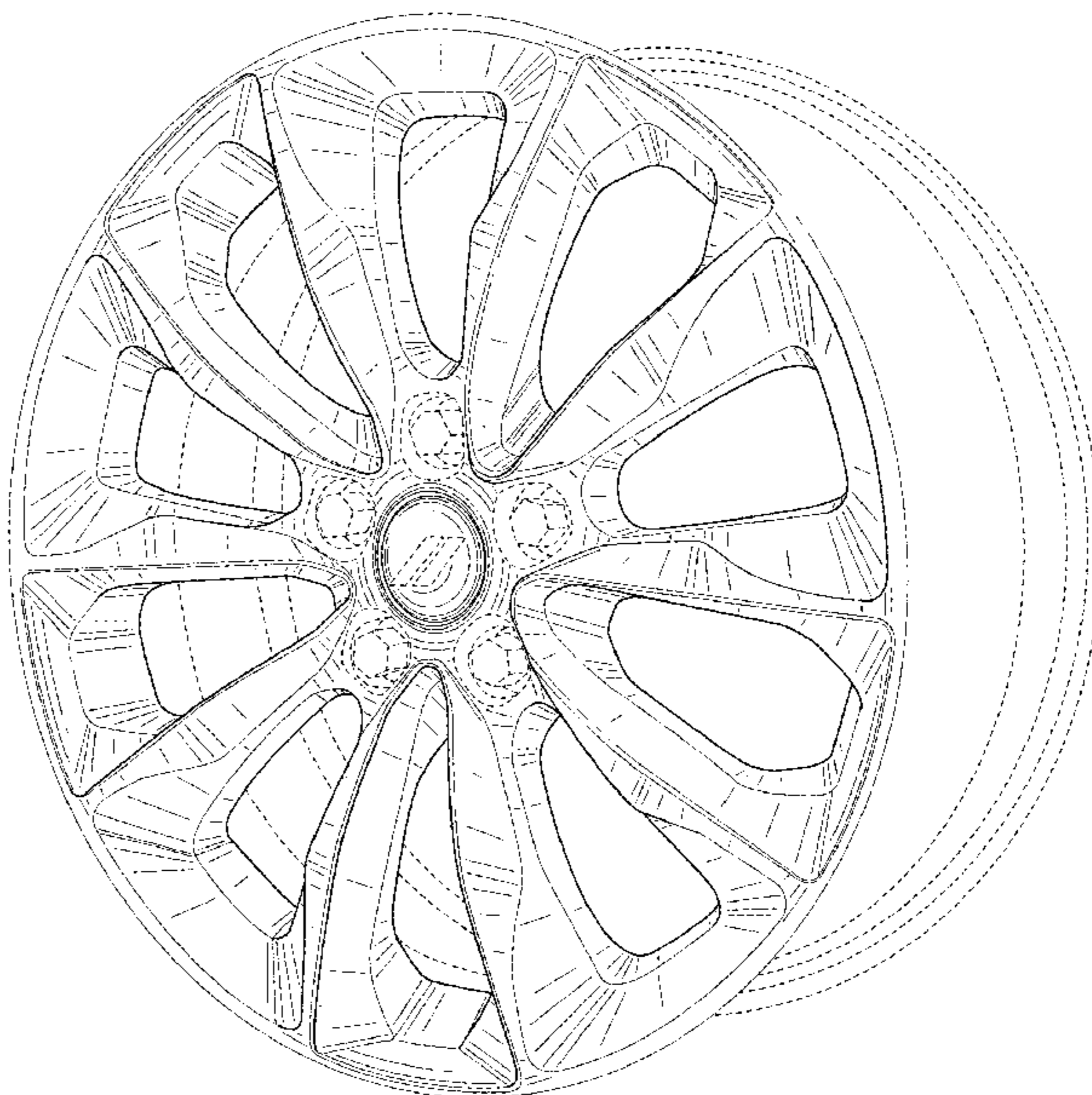
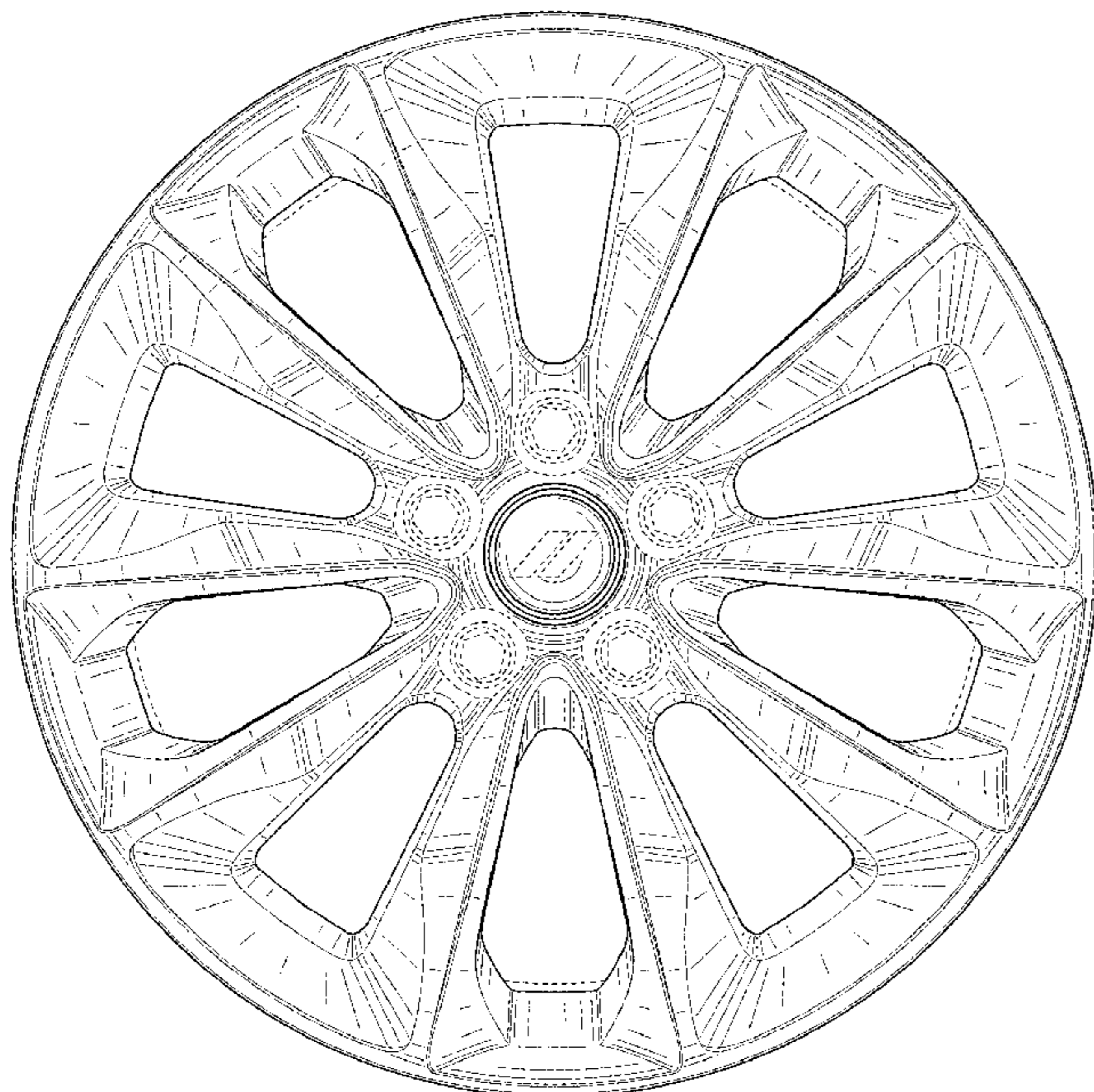
(57) **CLAIM**

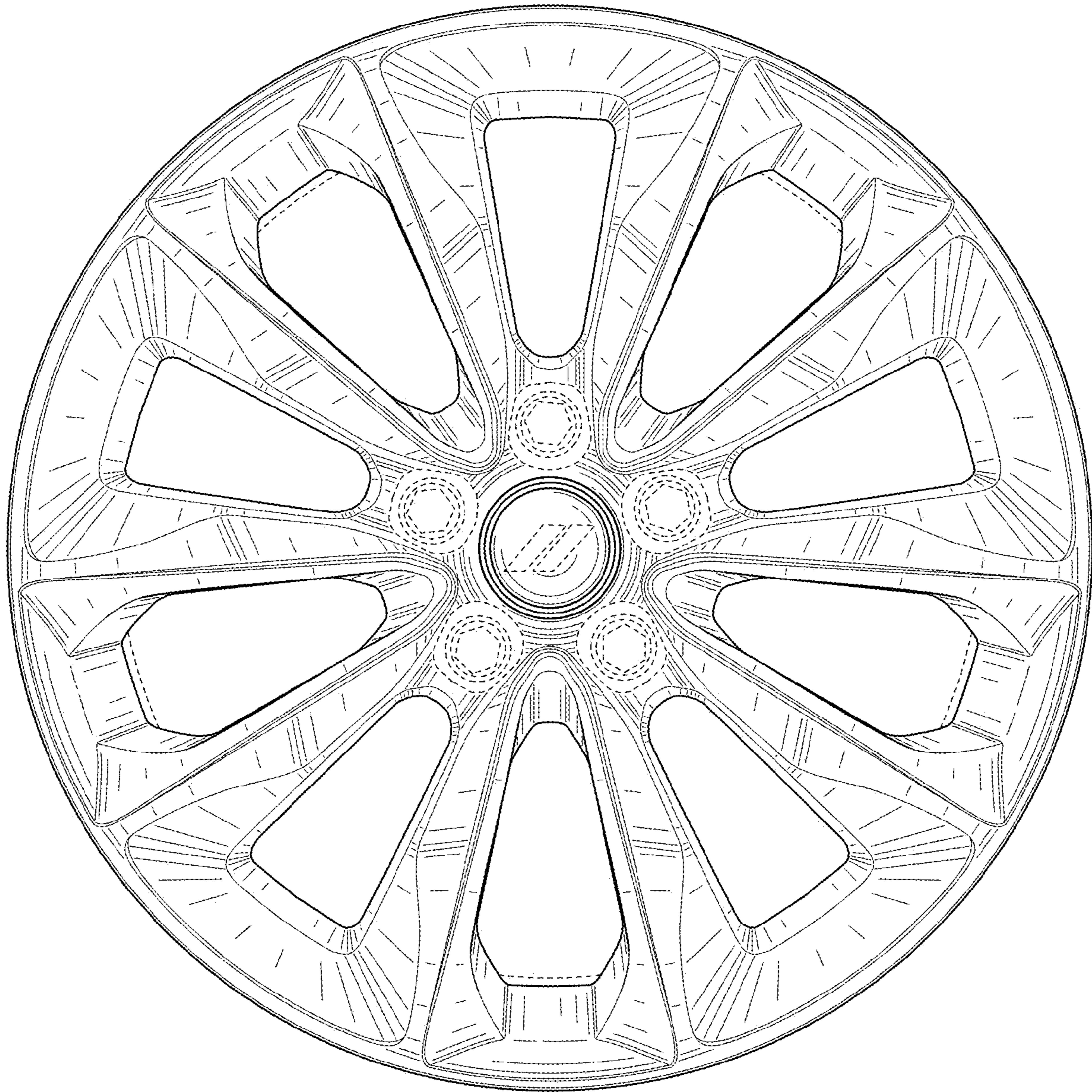
The ornamental design for an automobile wheel, as shown and described.

**DESCRIPTION**

FIG. 1 is a front view of an automobile wheel showing our new design; FIG. 2 is a left perspective view thereof; and, FIG. 3 is a right perspective view thereof. it will be understood that the broken lines shown in the drawings illustrate portions of the automobile wheel that form no part of the claimed design.

**1 Claim, 3 Drawing Sheets**





**FIG. 1**

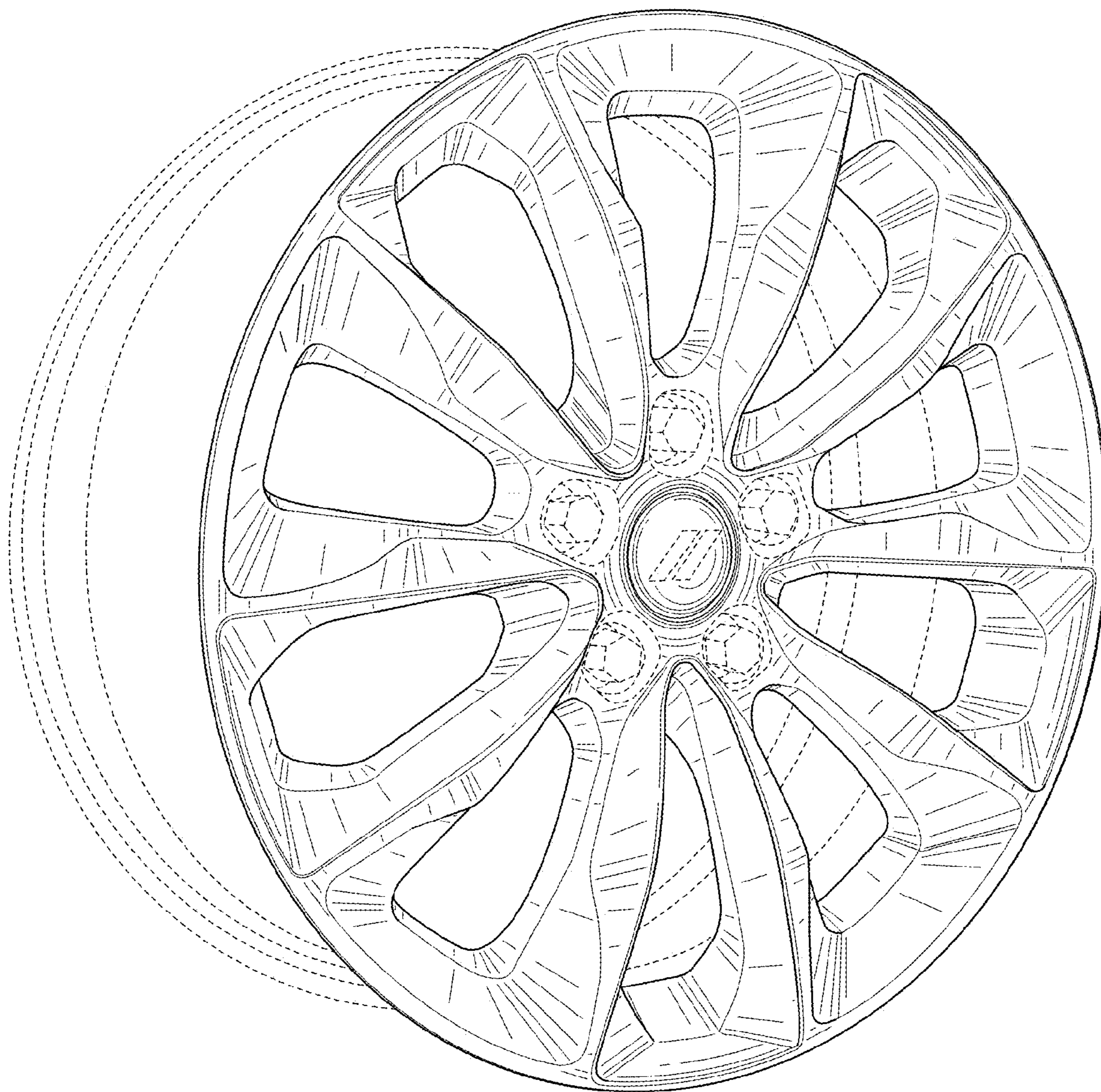
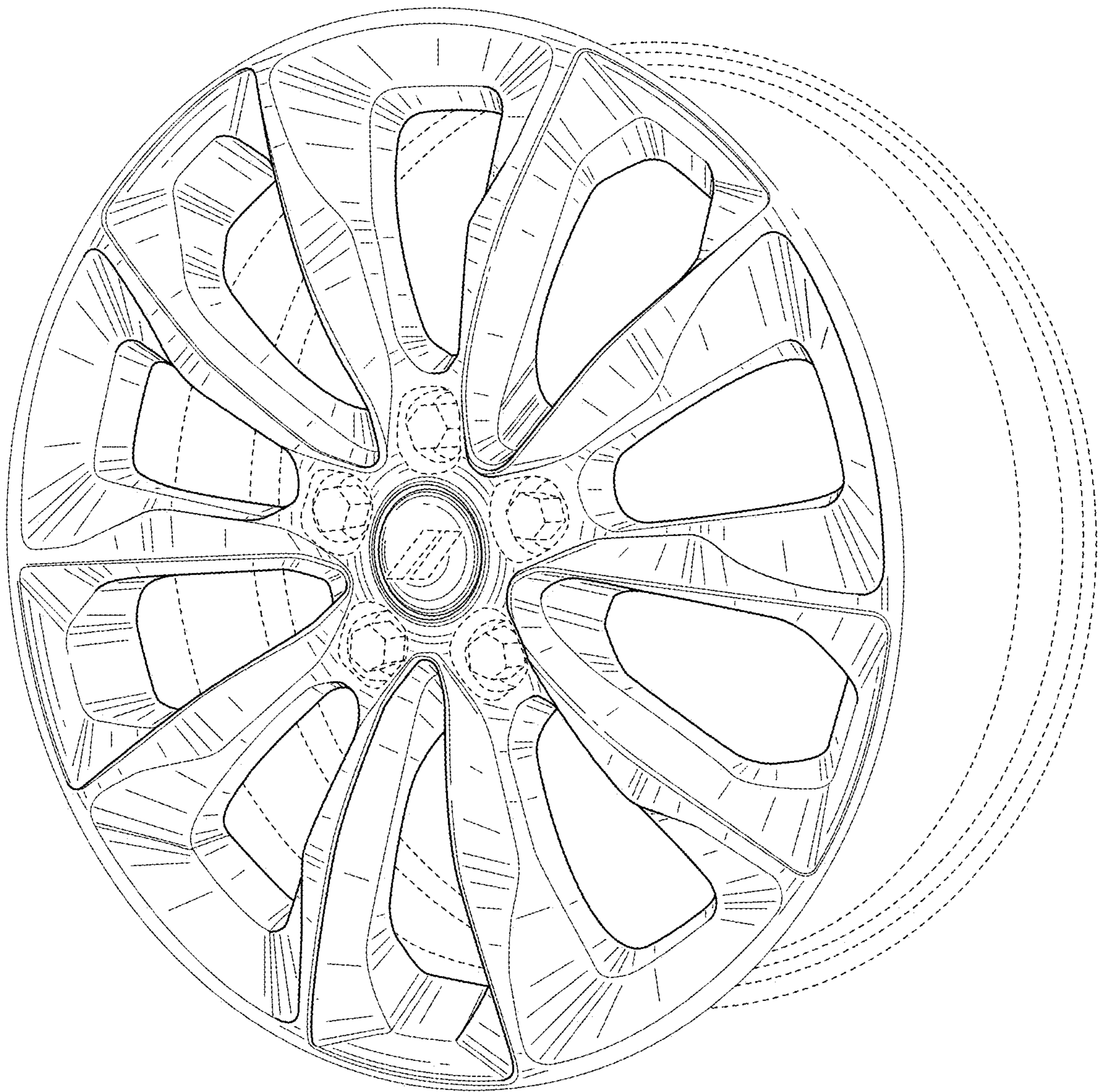


FIG. 2



**FIG. 3**