



US00D899995S

(12) **United States Design Patent** (10) **Patent No.:** **US D899,995 S**
Platto et al. (45) **Date of Patent:** **** Oct. 27, 2020**

- (54) **VEHICLE WHEEL**
- (71) Applicant: **Ford Global Technologies, LLC**,
Dearborn, MI (US)
- (72) Inventors: **Gordon Platto**, Troy, MI (US); **Sean Tant**, Livonia, MI (US); **Joshua Henry**,
Detroit, MI (US); **Seunghee Oh**, Royal
Oak, MI (US)
- (73) Assignee: **Ford Global Technologies, LLC**,
Dearborn, MI (US)
- (**) Term: **15 Years**
- (21) Appl. No.: **29/678,071**
- (22) Filed: **Jan. 25, 2019**
- (51) **LOC (12) Cl.** **12-16**
- (52) **U.S. Cl.**
USPC **D12/209**
- (58) **Field of Classification Search**
USPC D12/204–213; D21/563
CPC B60B 7/00; B60B 7/02; B60B 7/04; B60B
7/01; B60B 7/06; B60B 3/02; B60B 3/04;
B60B 3/06; B60B 3/10; B60B 1/00;
B60B 1/08; B60B 1/10; B60B 1/12
See application file for complete search history.

(56) **References Cited**

U.S. PATENT DOCUMENTS

| | | | | | |
|------------|---|--------|---------------|-------|---------|
| D528,061 S | * | 9/2006 | Saridakis | | D12/211 |
| D544,426 S | | 6/2007 | Siler | | |
| D567,165 S | * | 4/2008 | Truebsbach | | D12/209 |
| D569,778 S | * | 5/2008 | Kim | | D12/211 |
| D614,112 S | * | 4/2010 | Tant | | D12/211 |
| D630,990 S | * | 1/2011 | Cortes | | D12/209 |
| D654,005 S | * | 2/2012 | Mueller-Stolz | | D12/209 |

| | | | | | |
|------------|---|---------|---------------|-------|---------|
| D668,196 S | | 10/2012 | Tant et al. | | |
| D715,211 S | * | 10/2014 | Gotschke | | D12/204 |
| D719,889 S | * | 12/2014 | Hodges | | D12/209 |
| D732,449 S | * | 6/2015 | Grake | | D12/209 |
| D767,465 S | * | 9/2016 | Liffick | | D12/209 |
| D769,785 S | * | 10/2016 | Wells | | D12/211 |
| D780,084 S | * | 2/2017 | Scheer | | D12/209 |
| D783,488 S | | 4/2017 | Platto et al. | | |
| D783,498 S | | 4/2017 | Platto et al. | | |
| D783,499 S | | 4/2017 | Platto et al. | | |
| D784,236 S | | 4/2017 | Platto et al. | | |
| D784,237 S | | 4/2017 | Platto et al. | | |
| D784,895 S | | 4/2017 | Platto et al. | | |
| D788,006 S | | 5/2017 | Platto et al. | | |
| D788,007 S | | 5/2017 | Platto et al. | | |
| D793,320 S | * | 8/2017 | Factor | | D12/209 |
| D820,184 S | * | 6/2018 | Bucher | | D12/209 |
| D835,025 S | * | 12/2018 | Metros | | D12/209 |
| D848,927 S | * | 5/2019 | Kleinschuster | | D12/211 |
| D855,002 S | * | 7/2019 | Ranum | | D12/211 |
| D856,250 S | * | 8/2019 | Dewitt | | D12/209 |
| D856,251 S | * | 8/2019 | Dewitt | | D12/209 |
| D871,997 S | * | 1/2020 | Itaya | | D12/209 |
| D884,576 S | * | 5/2020 | Hale | | D12/209 |

* cited by examiner

Primary Examiner — Stacia A Cadmus

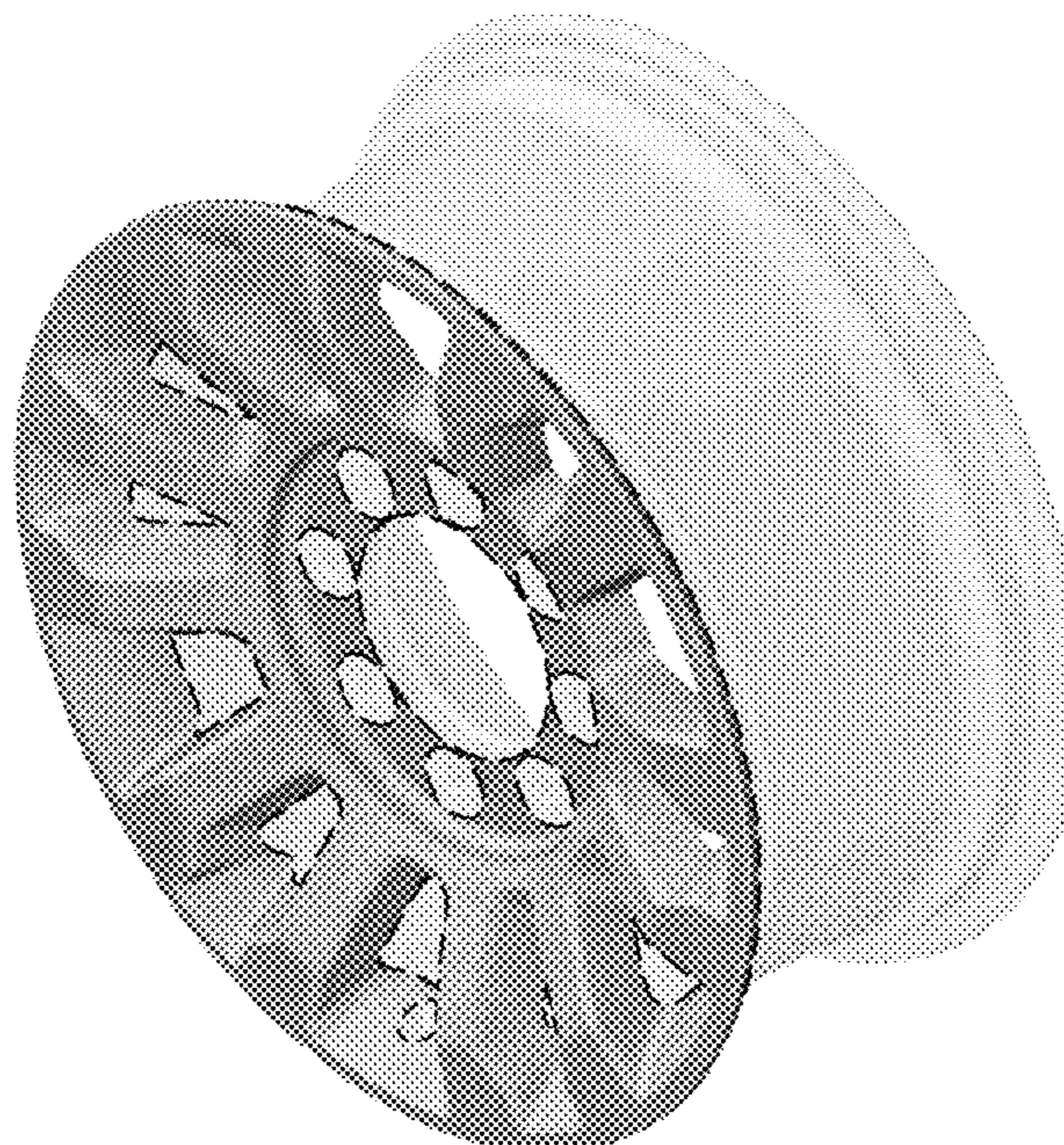
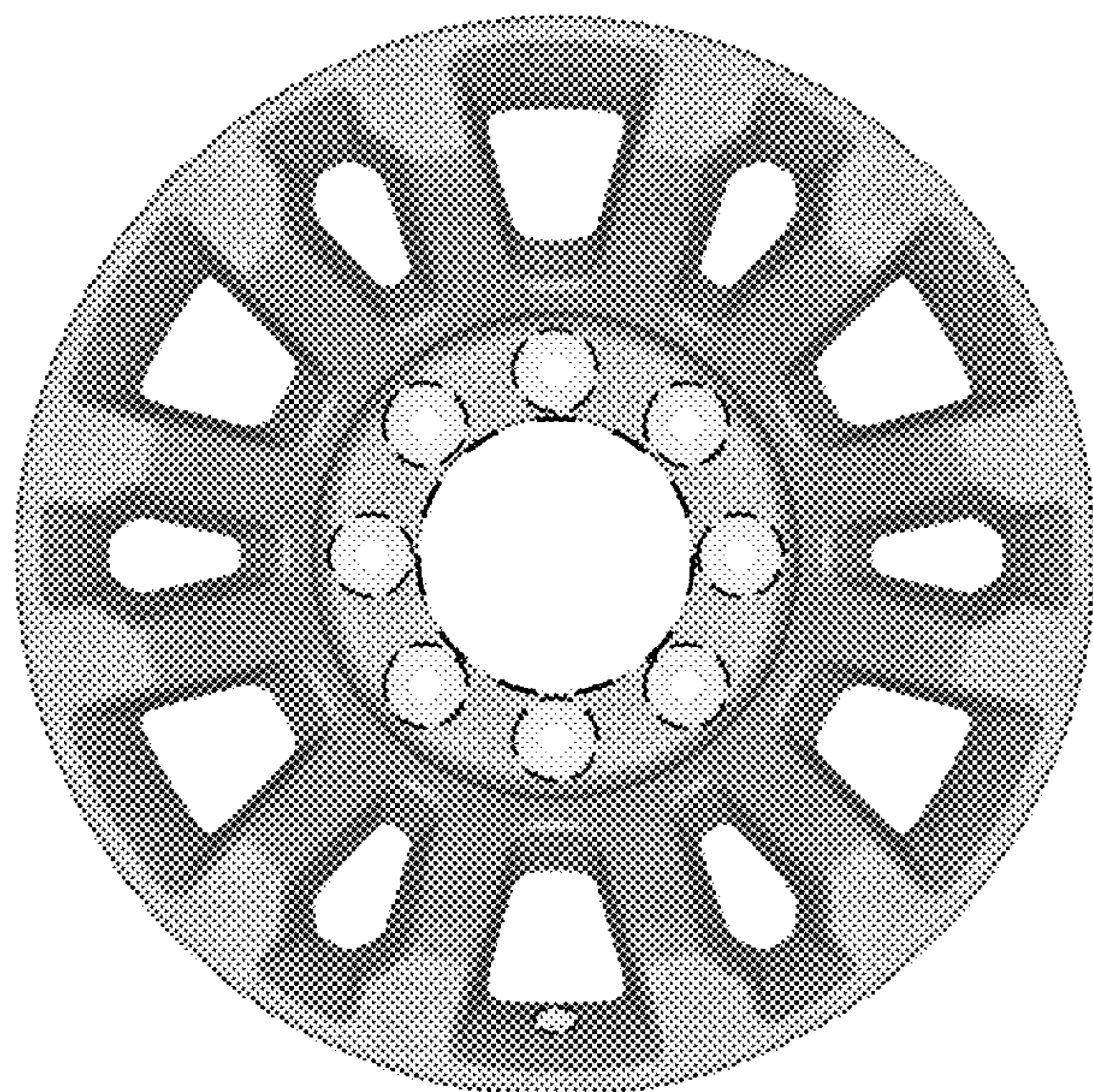
(57) **CLAIM**

The ornamental design for a vehicle wheel, as shown and described.

DESCRIPTION

FIG. 1 is a front elevational view of a vehicle wheel showing our new design; and, FIG. 2 is a perspective view thereof. Any broken lines represent an internal boundary of the design; the line itself and the area within form no part of the claim.

1 Claim, 2 Drawing Sheets



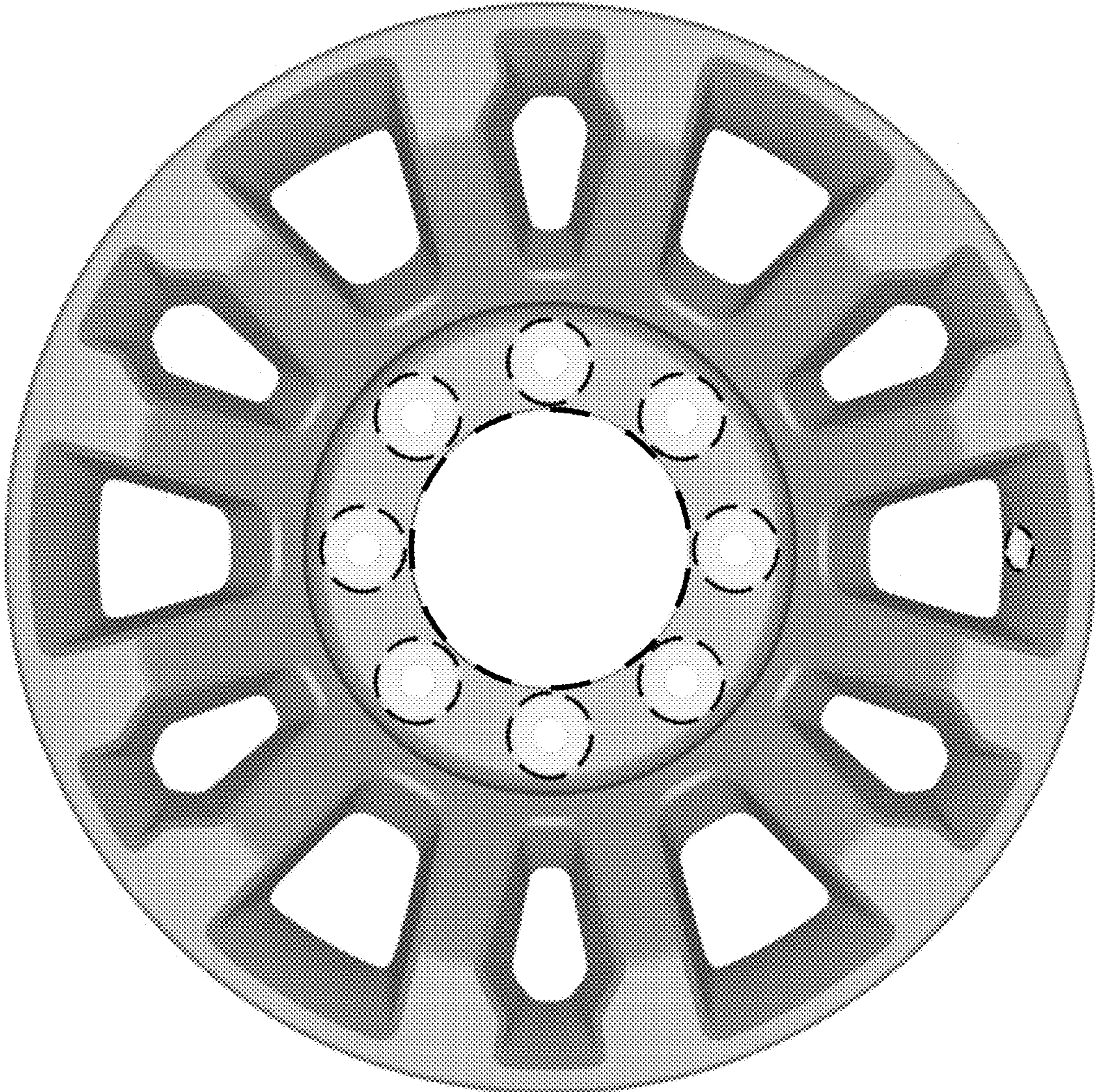


Fig. 1



Fig.2