



US00D899994S

(12) **United States Design Patent**
Melikian

(10) **Patent No.:** **US D899,994 S**

(45) **Date of Patent:** **** Oct. 27, 2020**

(54) **WHEEL**

(71) Applicant: **HONDA MOTOR CO., LTD.**, Tokyo (JP)

(72) Inventor: **Lili Melikian**, Sun Valley, CA (US)

(73) Assignee: **HONDA MOTOR CO., LTD.**, Tokyo (JP)

(**) Term: **15 Years**

(21) Appl. No.: **29/668,366**

(22) Filed: **Oct. 30, 2018**

(51) **LOC (12) Cl.** **12-16**

(52) **U.S. Cl.**
USPC **D12/209**

(58) **Field of Classification Search**
USPC D12/204–213; D21/563
CPC B60B 7/00; B60B 7/02; B60B 7/04; B60B 7/01; B60B 7/06; B60B 3/02; B60B 3/04; B60B 3/06; B60B 3/10; B60B 1/00; B60B 1/08; B60B 1/10; B60B 1/12
See application file for complete search history.

(56) **References Cited**

U.S. PATENT DOCUMENTS

D560,585 S *	1/2008	Blasi	D12/209
D618,152 S *	6/2010	Juergens	D12/209
D624,861 S *	10/2010	Zhao	D12/209
D734,704 S *	7/2015	Juergens	D12/211
D753,043 S *	4/2016	Pollmann	D12/209
D756,876 S *	5/2016	Rueckheim	D12/209
D757,624 S *	5/2016	Hammoud	D12/209
D763,764 S *	8/2016	Dunford	D12/209
D792,303 S *	7/2017	Chung	D12/209
D792,827 S *	7/2017	Chung	D12/209
D797,025 S *	9/2017	Khachatryan	D12/209
D800,044 S *	10/2017	Ghobrial	D12/209
D801,250 S *	10/2017	Chung	D12/209

D825,426 S *	8/2018	Myrberg	D12/209
D826,128 S *	8/2018	Groth	D12/209
D829,628 S *	10/2018	Chung	D12/209
D833,948 S *	11/2018	Buck	D12/209
D842,202 S *	3/2019	Han	D12/209
D842,203 S *	3/2019	Podlovits	D12/209
D843,302 S *	3/2019	Khachatryan	D12/209
D844,527 S *	4/2019	Lickliter	D12/209
D849,651 S *	5/2019	Lee	D12/209
D853,931 S *	7/2019	Khachatryan	D12/209
D858,408 S *	9/2019	Kikuchi	D12/209
D864,078 S *	10/2019	Khachatryan	D12/211
D865,612 S *	11/2019	Interrante	D12/209
D866,432 S *	11/2019	Preyss	D12/209

(Continued)

Primary Examiner — Stacia A Cadmus

(74) *Attorney, Agent, or Firm* — Arent Fox LLP

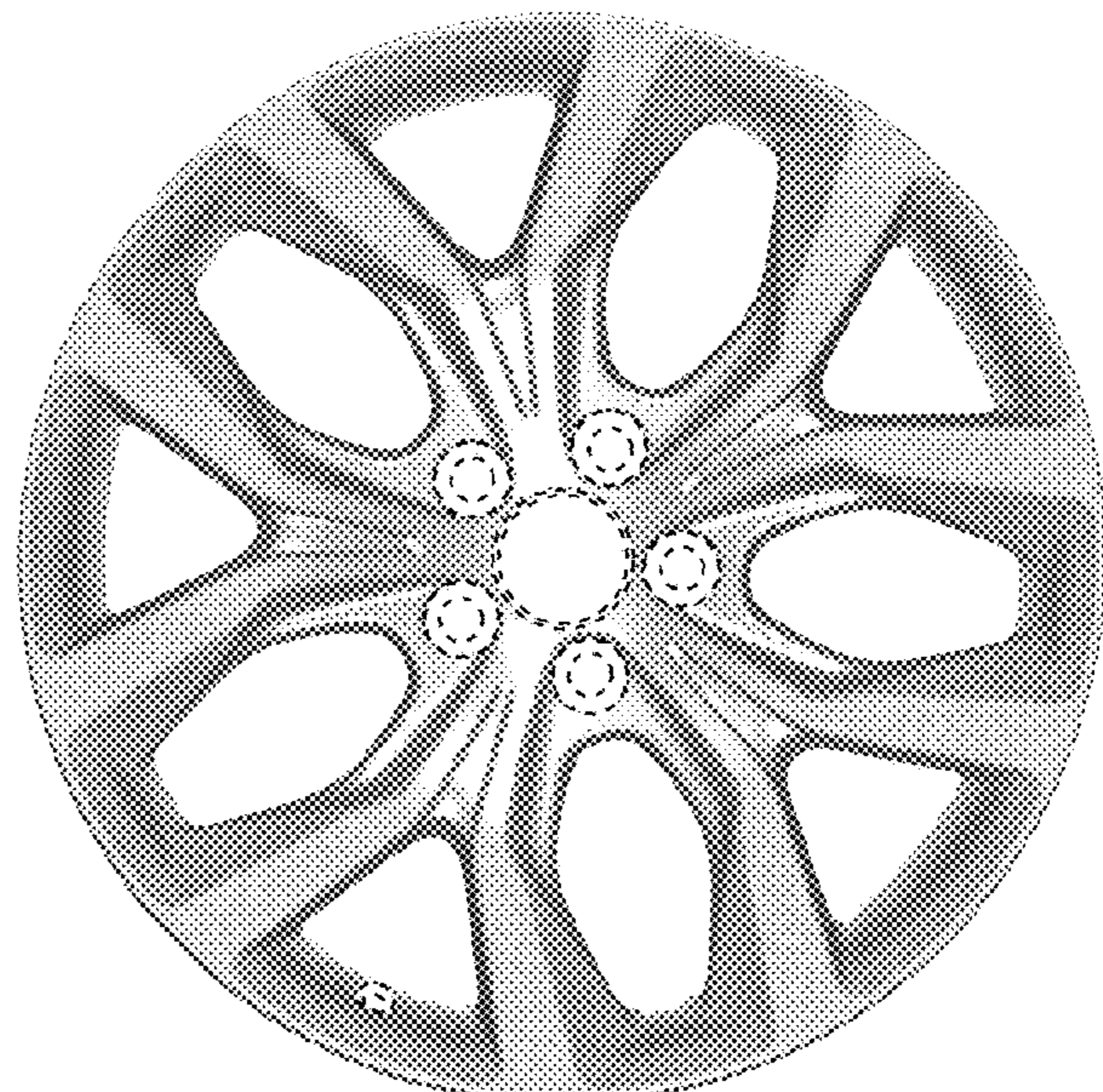
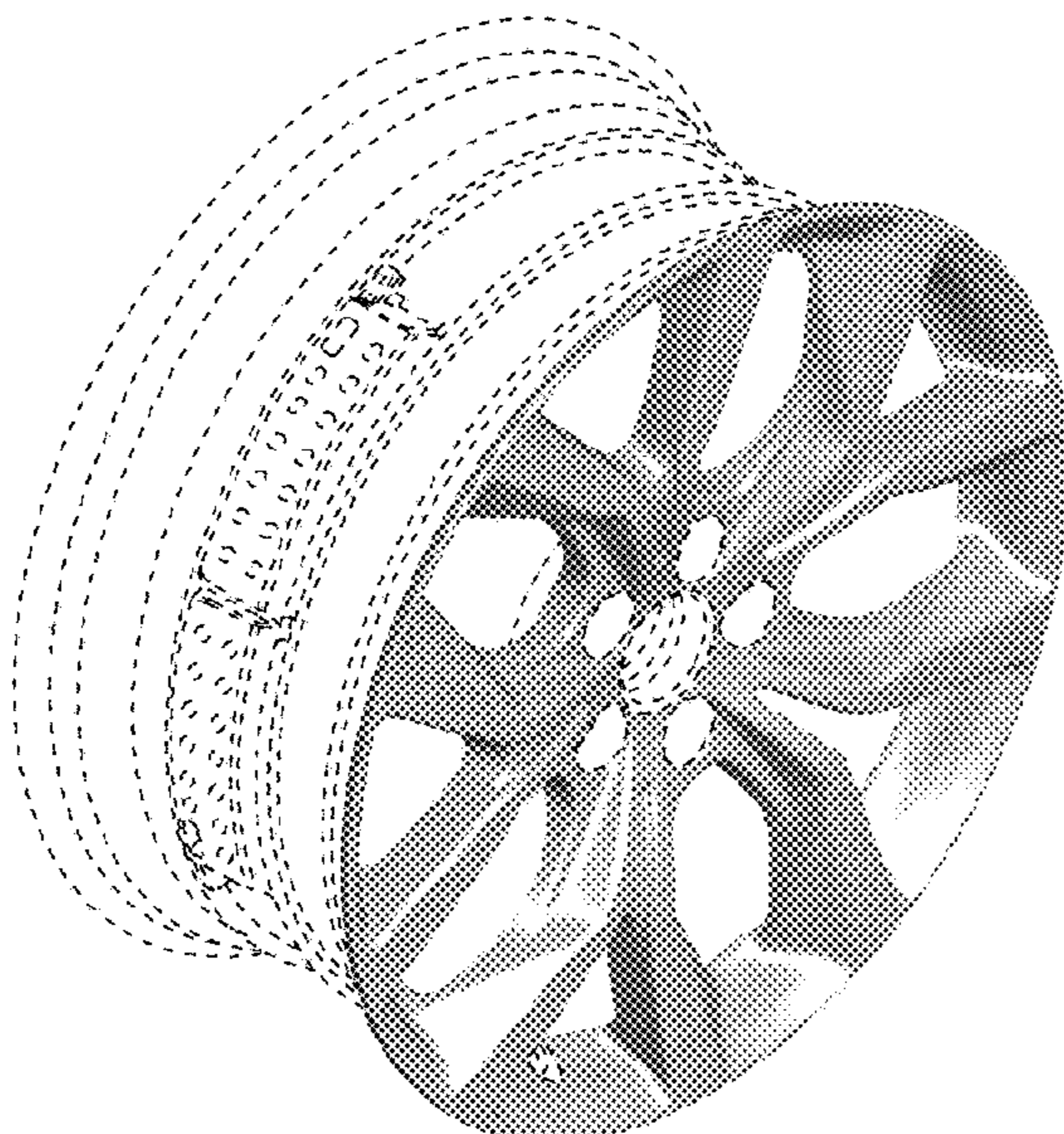
(57) **CLAIM**

The ornamental design for a wheel, as shown and described.

DESCRIPTION

FIG. 1 is a front left perspective view of a wheel showing my new design;
 FIG. 2 is a rear left perspective view of the design shown in FIG. 1;
 FIG. 3 is a rear right perspective view of the design shown in FIG. 1;
 FIG. 4 is a front right perspective view of the design shown in FIG. 1;
 FIG. 5 is a left side view of the design shown in FIG. 1;
 FIG. 6 is a right side view of the design shown in FIG. 1;
 FIG. 7 is a rear view of the design shown in FIG. 1;
 FIG. 8 is a front view of the design shown in FIG. 1;
 FIG. 9 is a top view of the design shown in FIG. 1; and,
 FIG. 10 is a bottom view of the design shown in FIG. 1.
 The broken lines shown in the figures are included for the purpose of illustrating portions of the wheel and form no part of the claimed design.

1 Claim, 10 Drawing Sheets



(56)

References Cited

U.S. PATENT DOCUMENTS

D872,672 S * 1/2020 Grewer D12/209
D873,755 S * 1/2020 Buck D12/209
D873,757 S * 1/2020 Buckingham D12/211

* cited by examiner

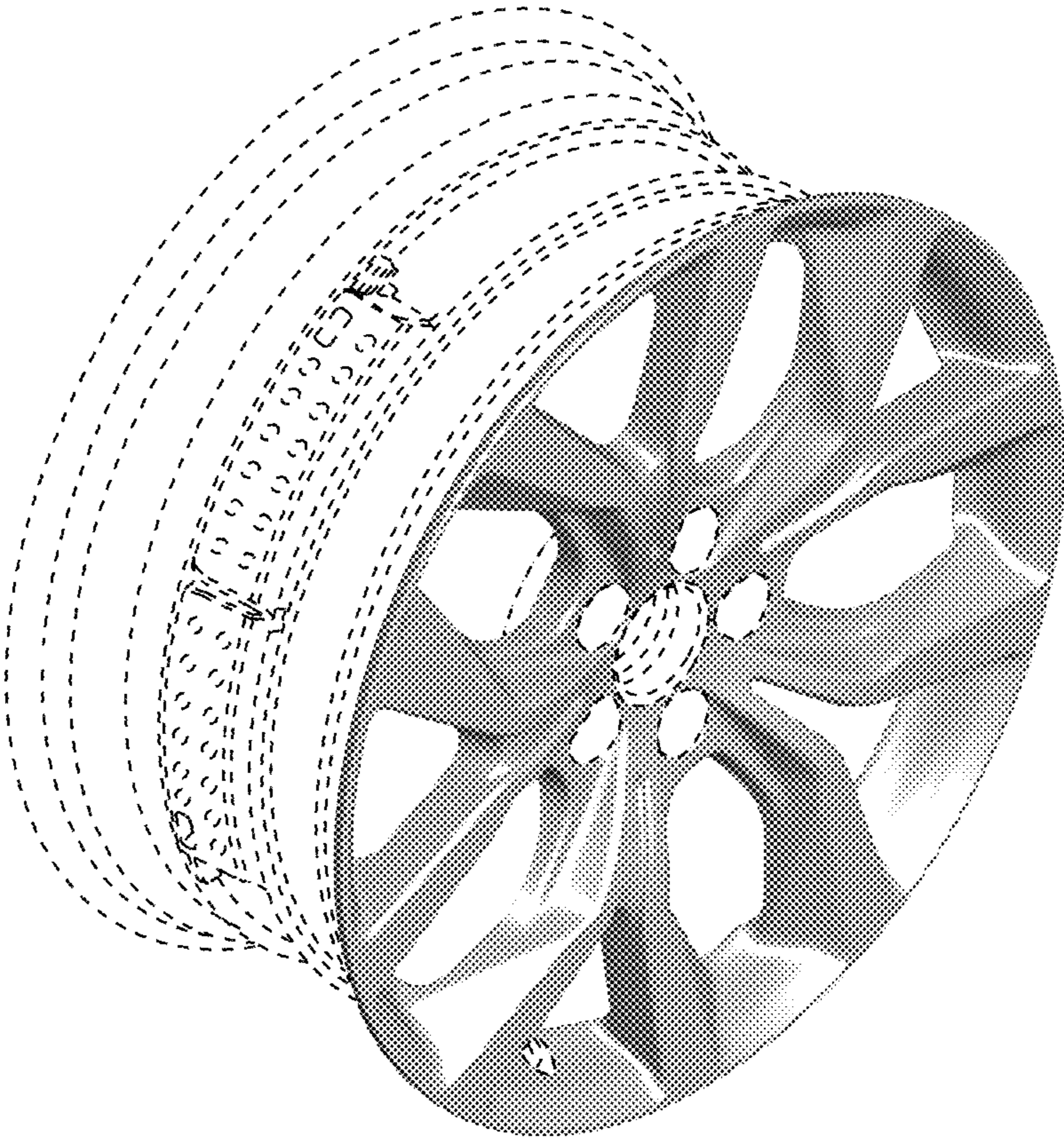


FIG. 1

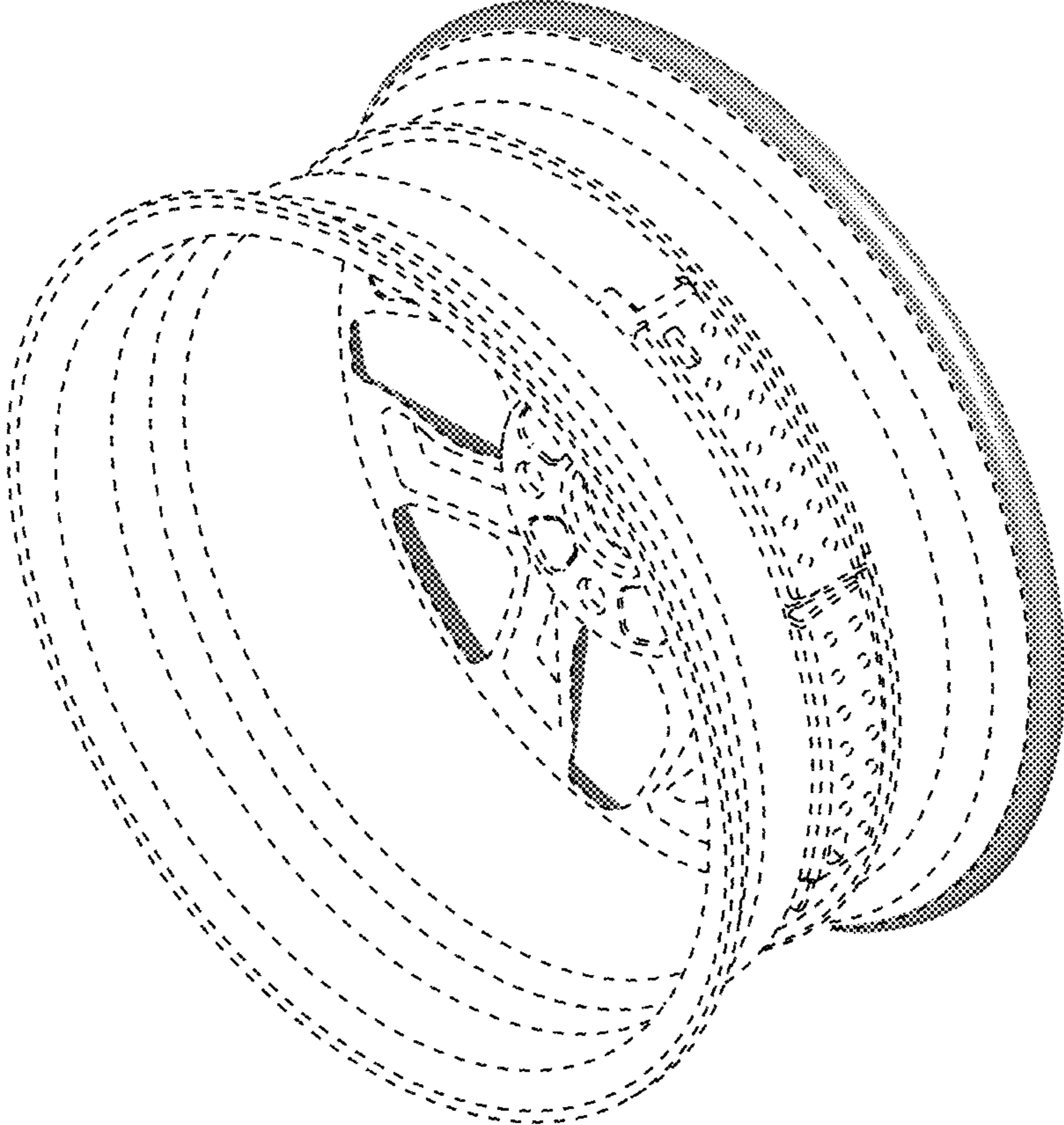


FIG. 2

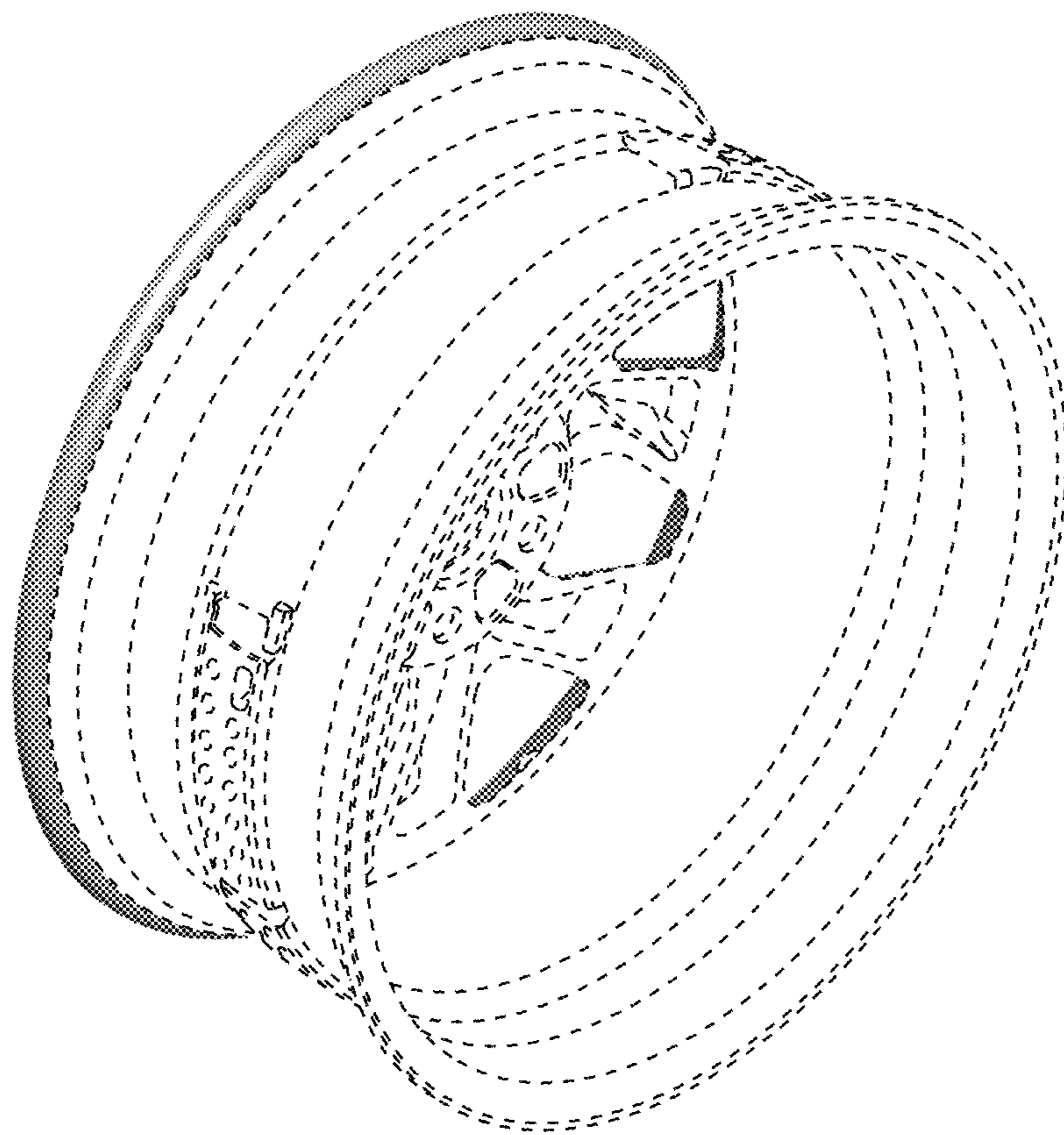


FIG. 3

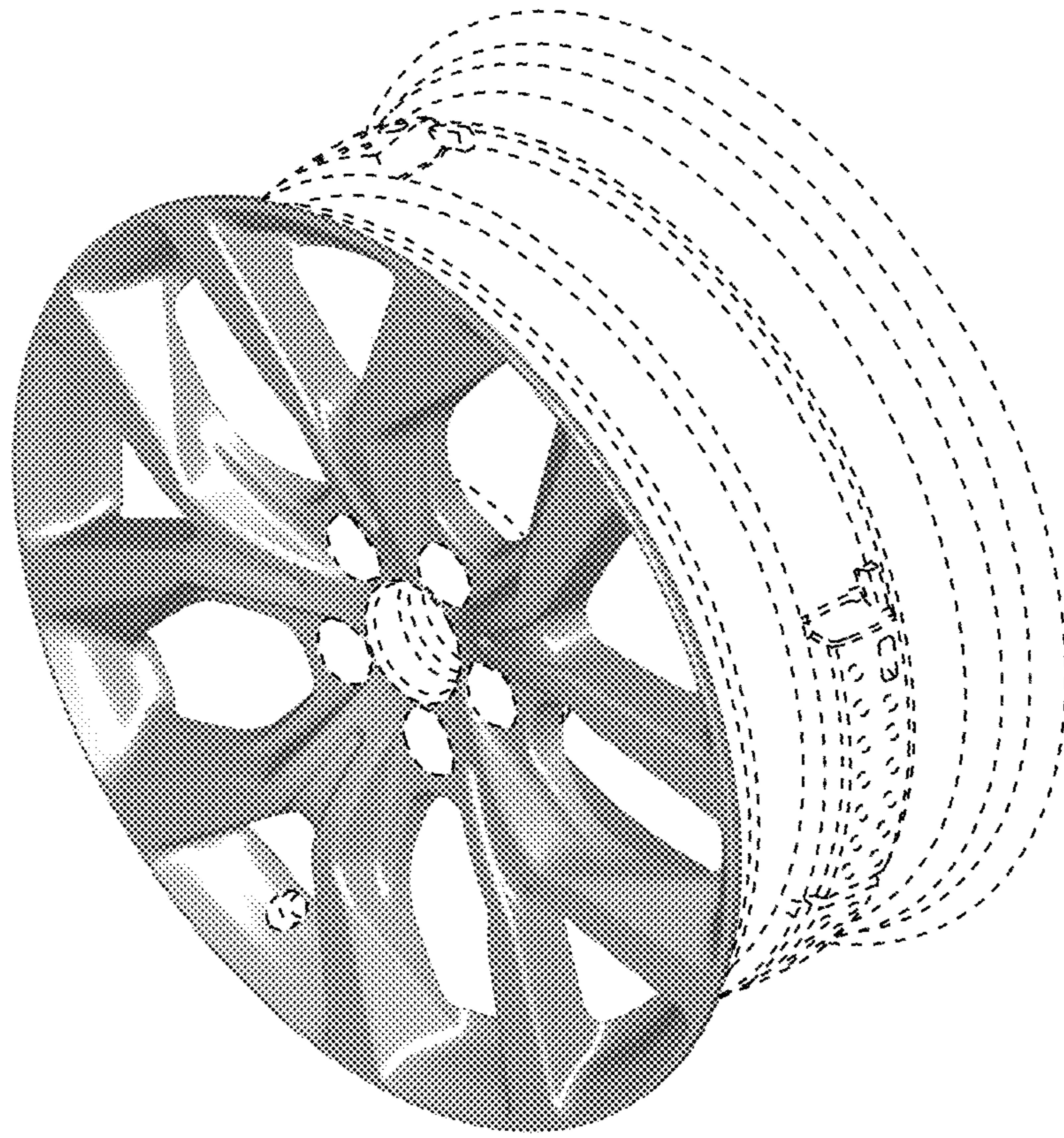


FIG. 4

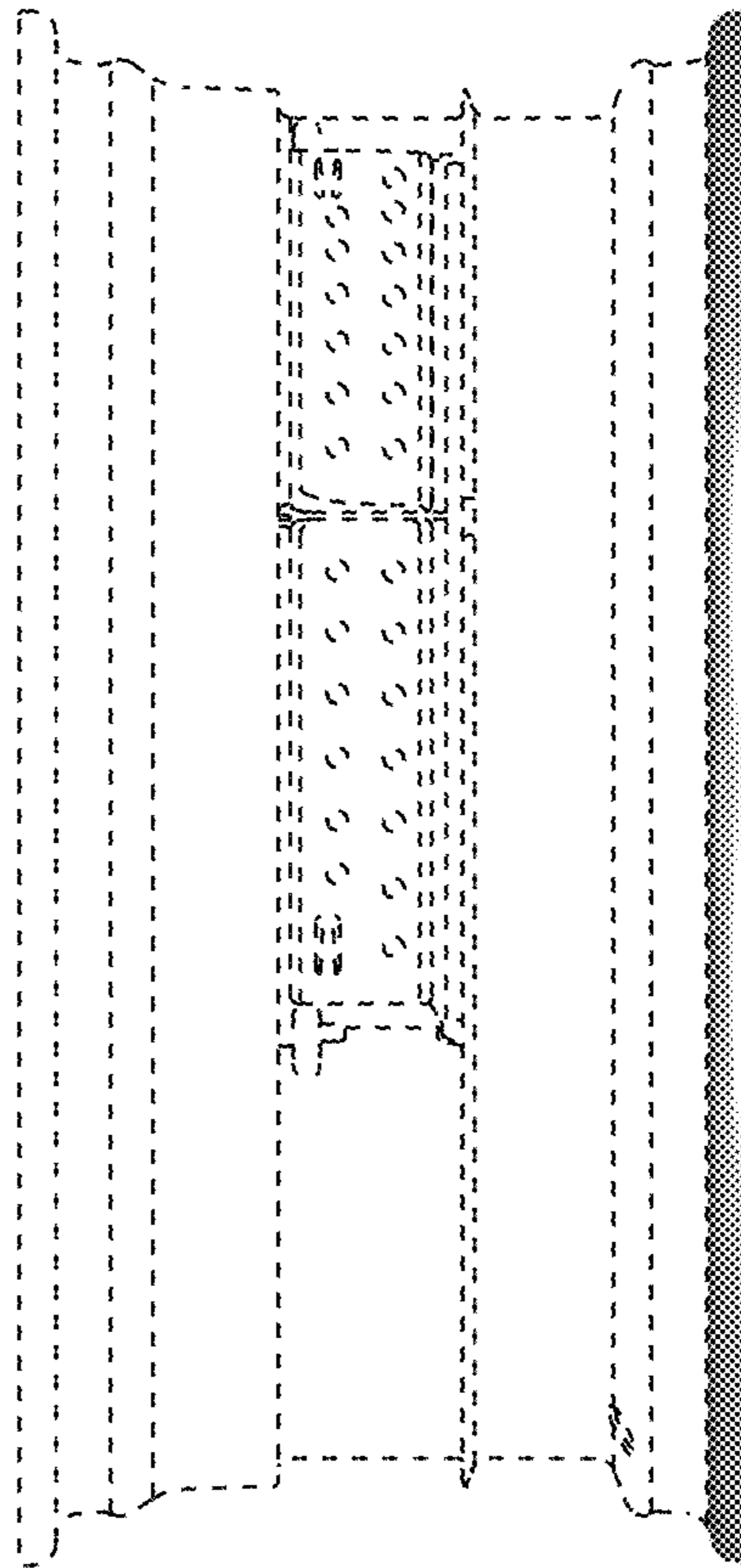


FIG. 5

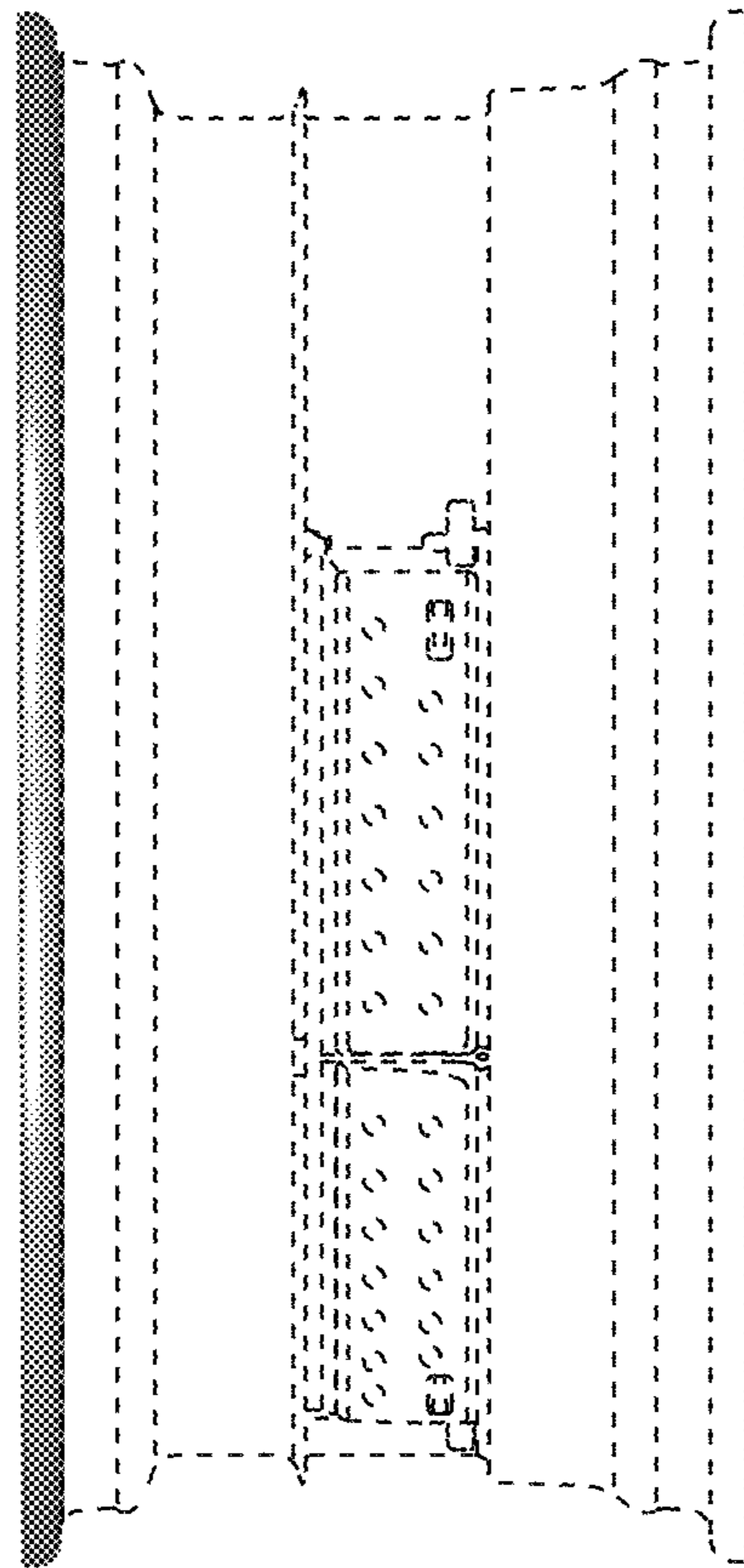


FIG. 6

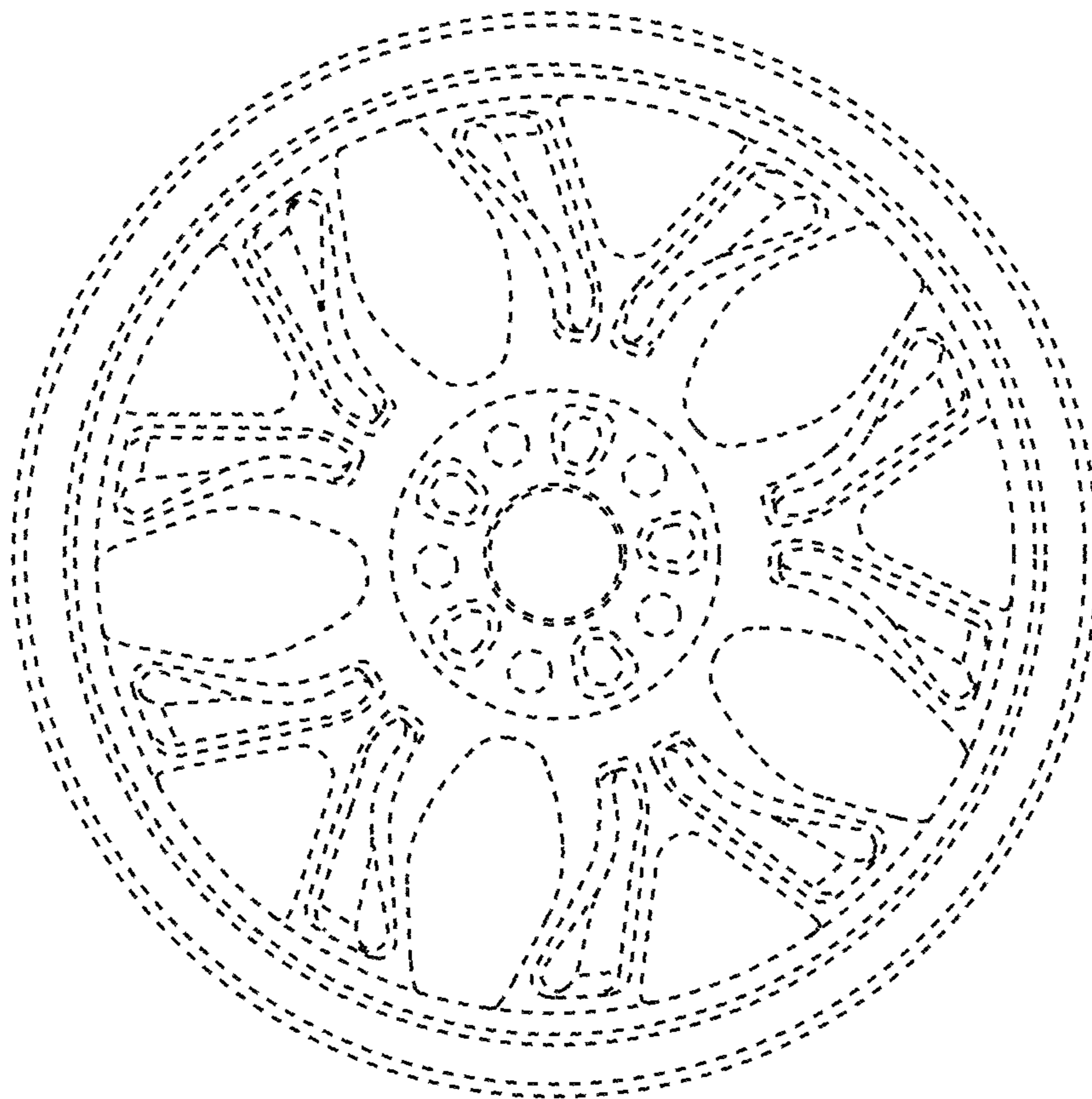


FIG. 7

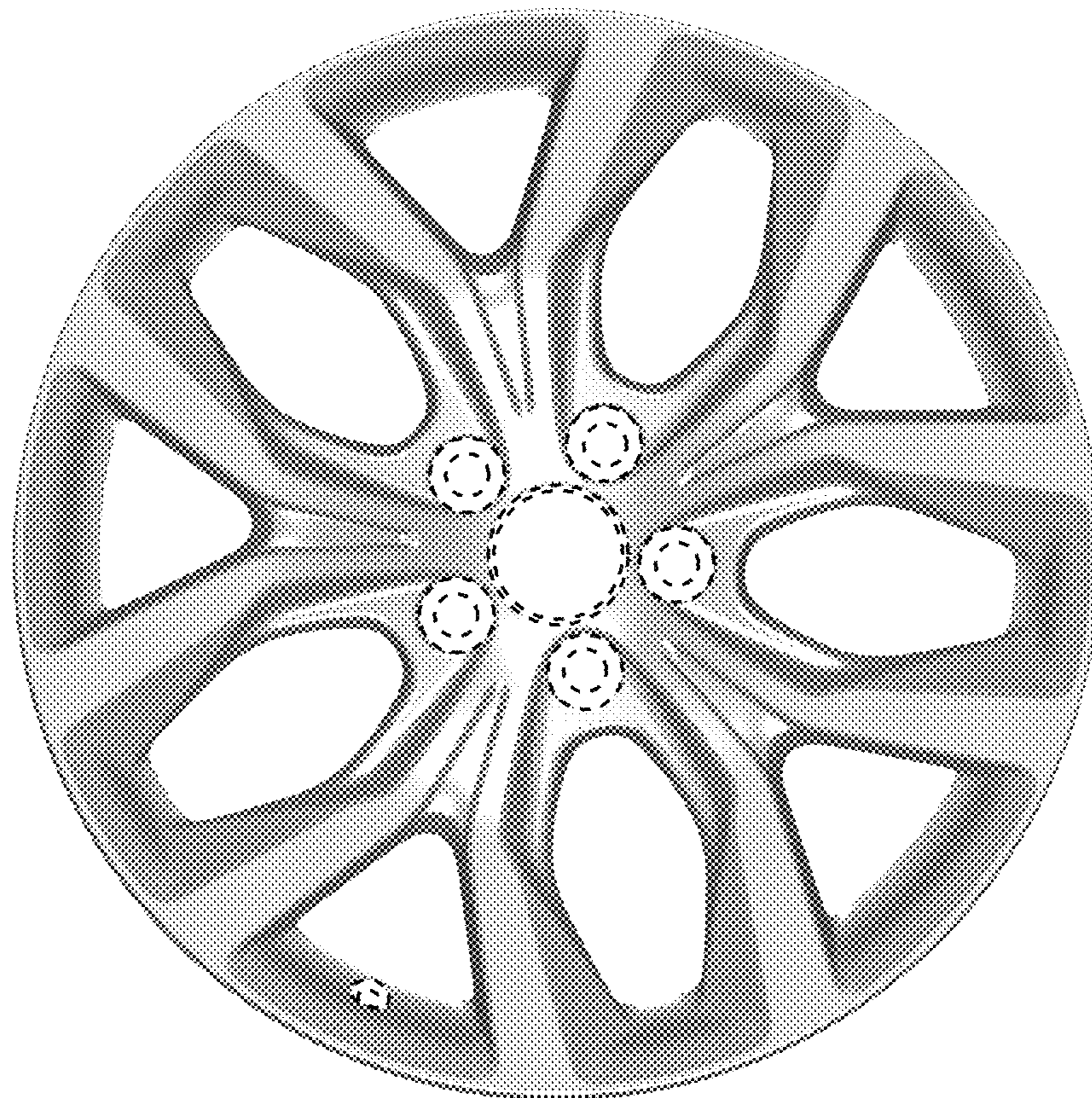


FIG. 8

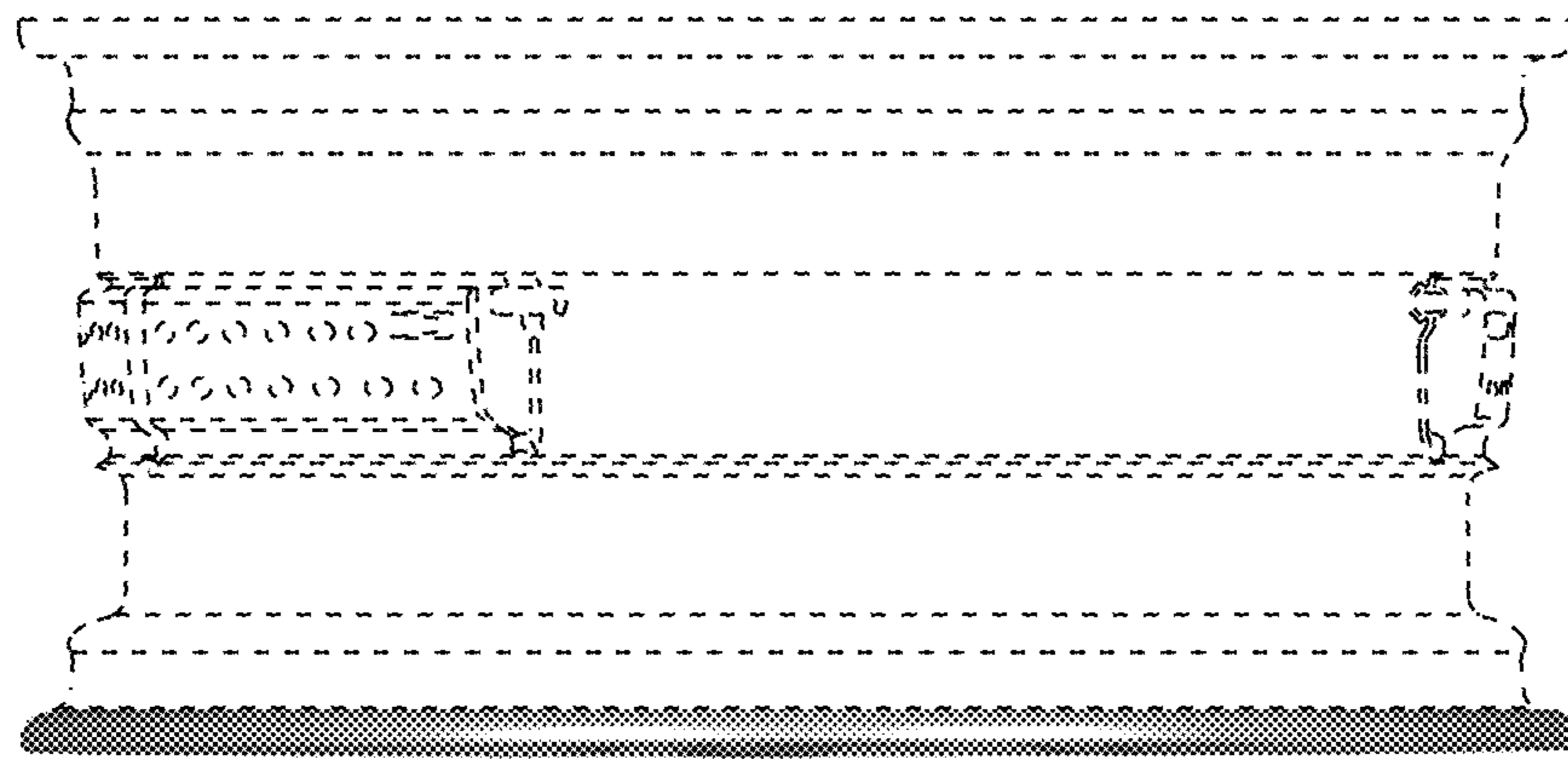


FIG. 9

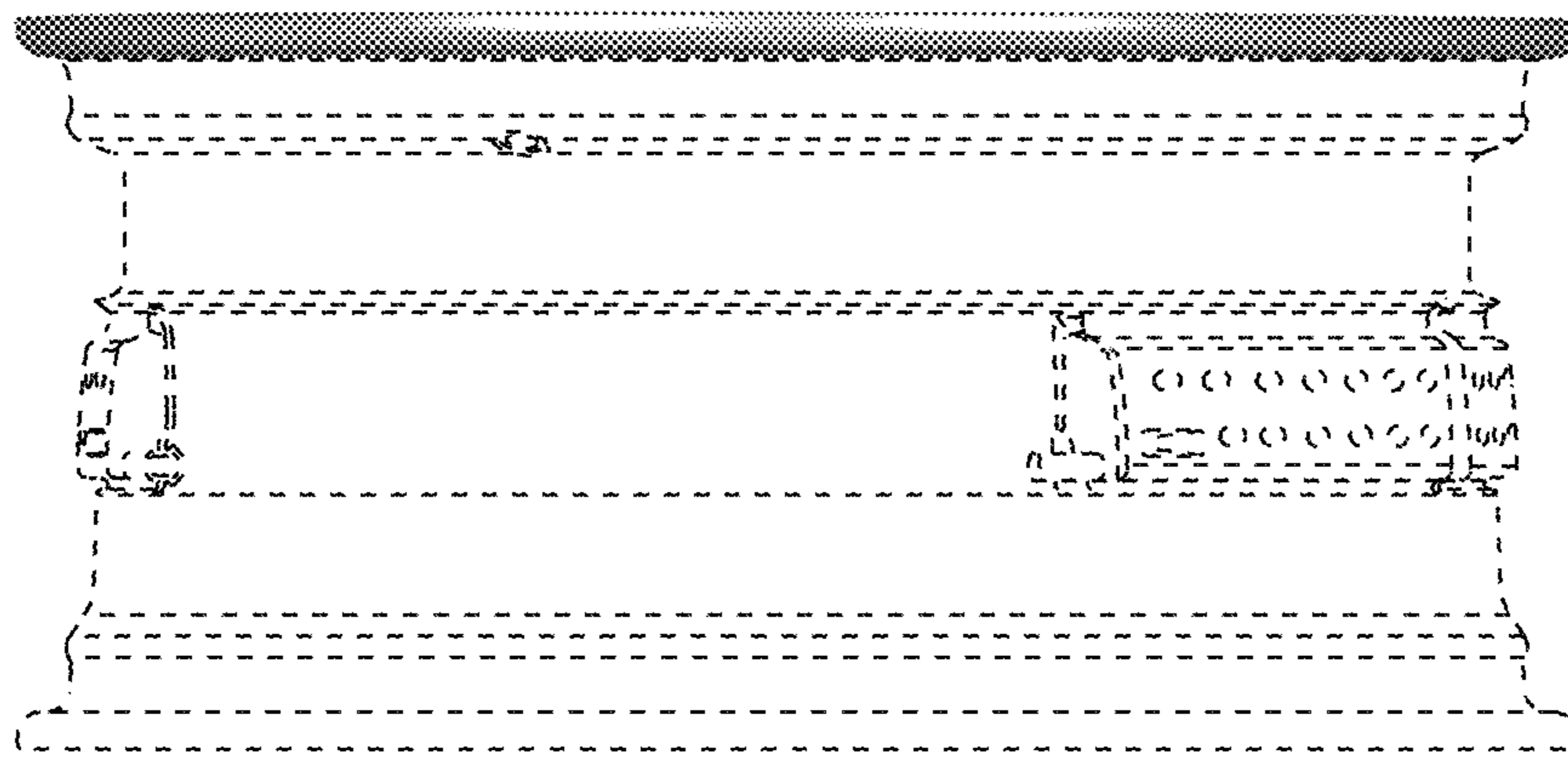


FIG. 10