



US00D899992S

(12) **United States Design Patent**  
**Melikian**

(10) **Patent No.:** **US D899,992 S**

(45) **Date of Patent:** **\*\* Oct. 27, 2020**

(54) **WHEEL**

(71) Applicant: **HONDA MOTOR CO., LTD.**, Tokyo (JP)

(72) Inventor: **Lili Melikian**, Sun Valley, CA (US)

(73) Assignee: **HONDA MOTOR CO., LTD.**, Tokyo (JP)

(\*\*) Term: **15 Years**

(21) Appl. No.: **29/667,912**

(22) Filed: **Oct. 25, 2018**

(51) **LOC (12) Cl.** ..... **12-16**

(52) **U.S. Cl.**  
USPC ..... **D12/209**

(58) **Field of Classification Search**  
USPC ..... D12/204–213; D21/563  
CPC .... B60B 7/00; B60B 7/02; B60B 7/04; B60B 7/01; B60B 7/06; B60B 3/02; B60B 3/04; B60B 3/06; B60B 3/10; B60B 1/00; B60B 1/08; B60B 1/10; B60B 1/12  
See application file for complete search history.

(56) **References Cited**

**U.S. PATENT DOCUMENTS**

D652,361 S *	1/2012	Forschner	.....	D12/209
D726,086 S *	4/2015	Muntada Roura	.....	D12/209
D748,031 S *	1/2016	Miyazawa	.....	D12/209
D774,434 S *	12/2016	Nakahara	.....	D12/209
D778,798 S *	2/2017	Park	.....	D12/209
D781,761 S *	3/2017	Lee	.....	D12/209
D792,306 S *	7/2017	Ishigaki	.....	D12/209

D803,132 S *	11/2017	Okaji	.....	D12/209
D818,411 S *	5/2018	Kawaguchi	.....	D12/209
D823,224 S *	7/2018	Nakamura	.....	D12/211
D826,826 S *	8/2018	Back	.....	D12/209
D828,269 S *	9/2018	Kikuchi	.....	D12/209
D840,897 S *	2/2019	Aiba	.....	D12/209
D856,887 S *	8/2019	Imazato	.....	D12/209
D859,268 S *	9/2019	Rosello Visa	.....	D12/209
D867,957 S *	11/2019	Kato	.....	D12/209

\* cited by examiner

*Primary Examiner* — Stacia A Cadmus

(74) *Attorney, Agent, or Firm* — Arent Fox LLP

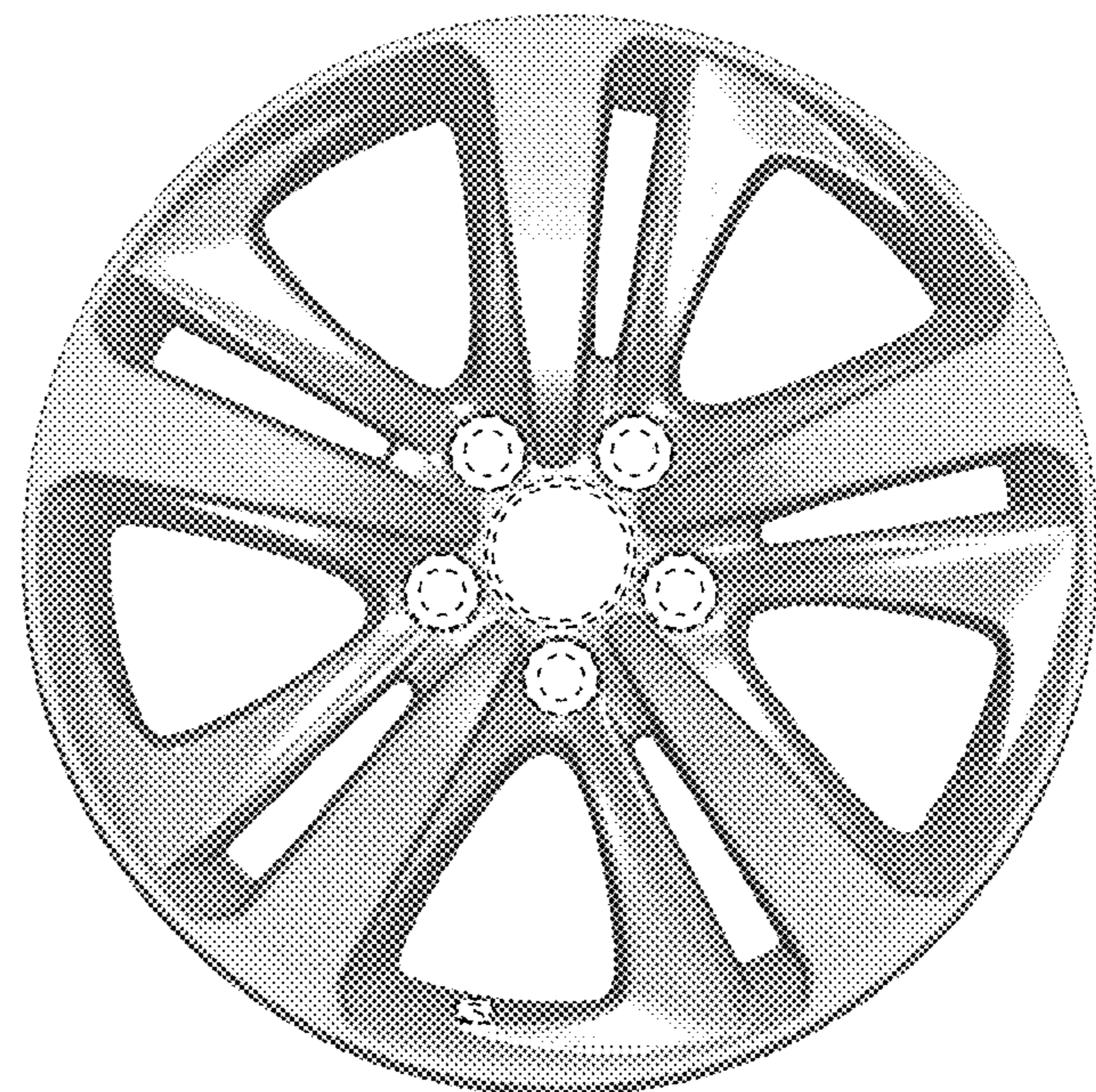
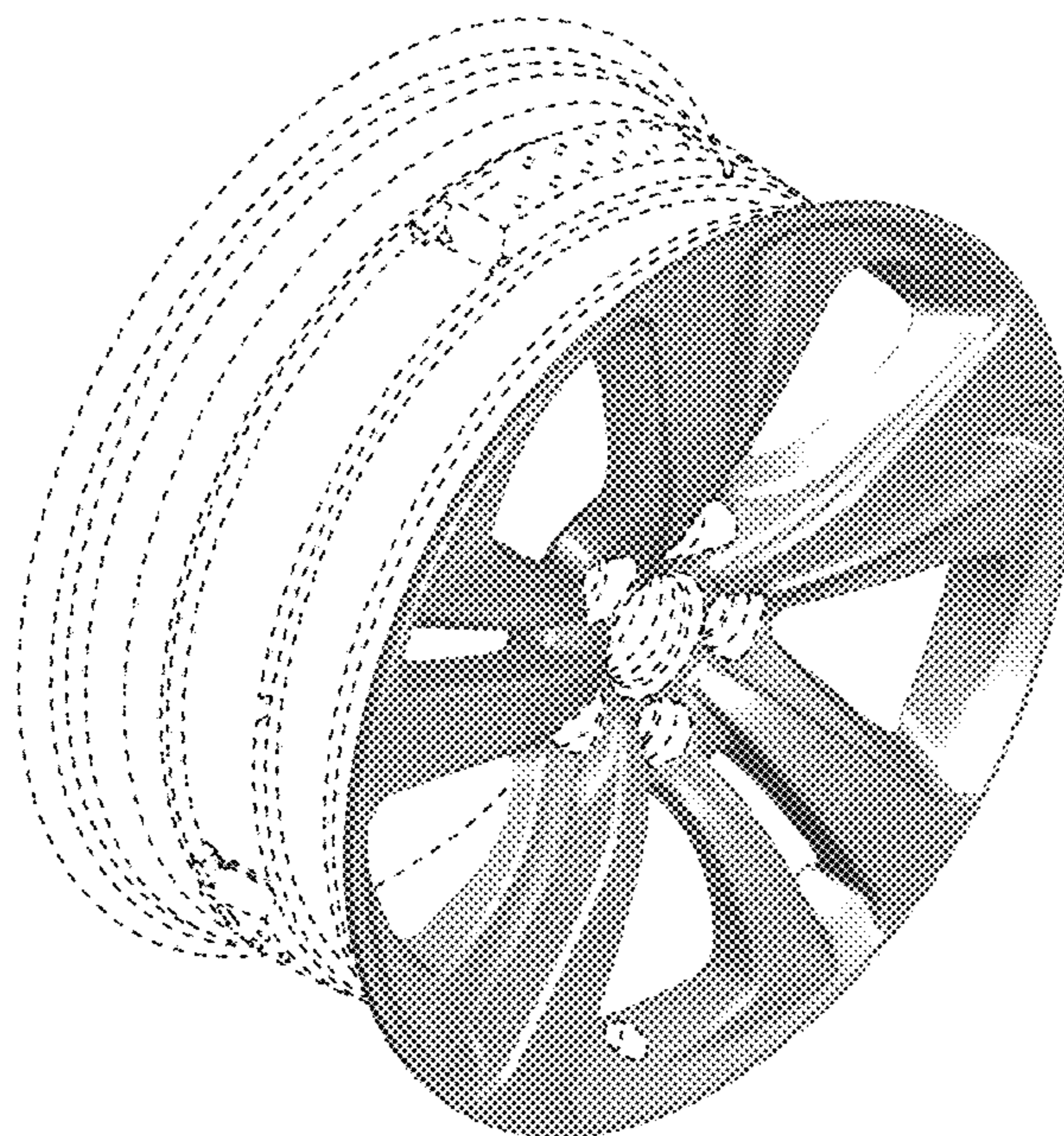
(57) **CLAIM**

The ornamental design for a wheel, as shown and described.

**DESCRIPTION**

FIG. 1 is a front left perspective view of a wheel showing my new design;  
 FIG. 2 is a rear left perspective view of the design shown in FIG. 1;  
 FIG. 3 is a rear right perspective view of the design shown in FIG. 1;  
 FIG. 4 is a front right perspective view of the design shown in FIG. 1;  
 FIG. 5 is a left side view of the design shown in FIG. 1;  
 FIG. 6 is a right side view of the design shown in FIG. 1;  
 FIG. 7 is a rear view of the design shown in FIG. 1;  
 FIG. 8 is a front view of the design shown in FIG. 1;  
 FIG. 9 is a top view of the design shown in FIG. 1; and  
 FIG. 10 is a bottom view of the design shown in FIG. 1.  
 The broken lines shown in the figures are included for the purpose of illustrating portions of the wheel and form no part of the claimed design.

**1 Claim, 10 Drawing Sheets**



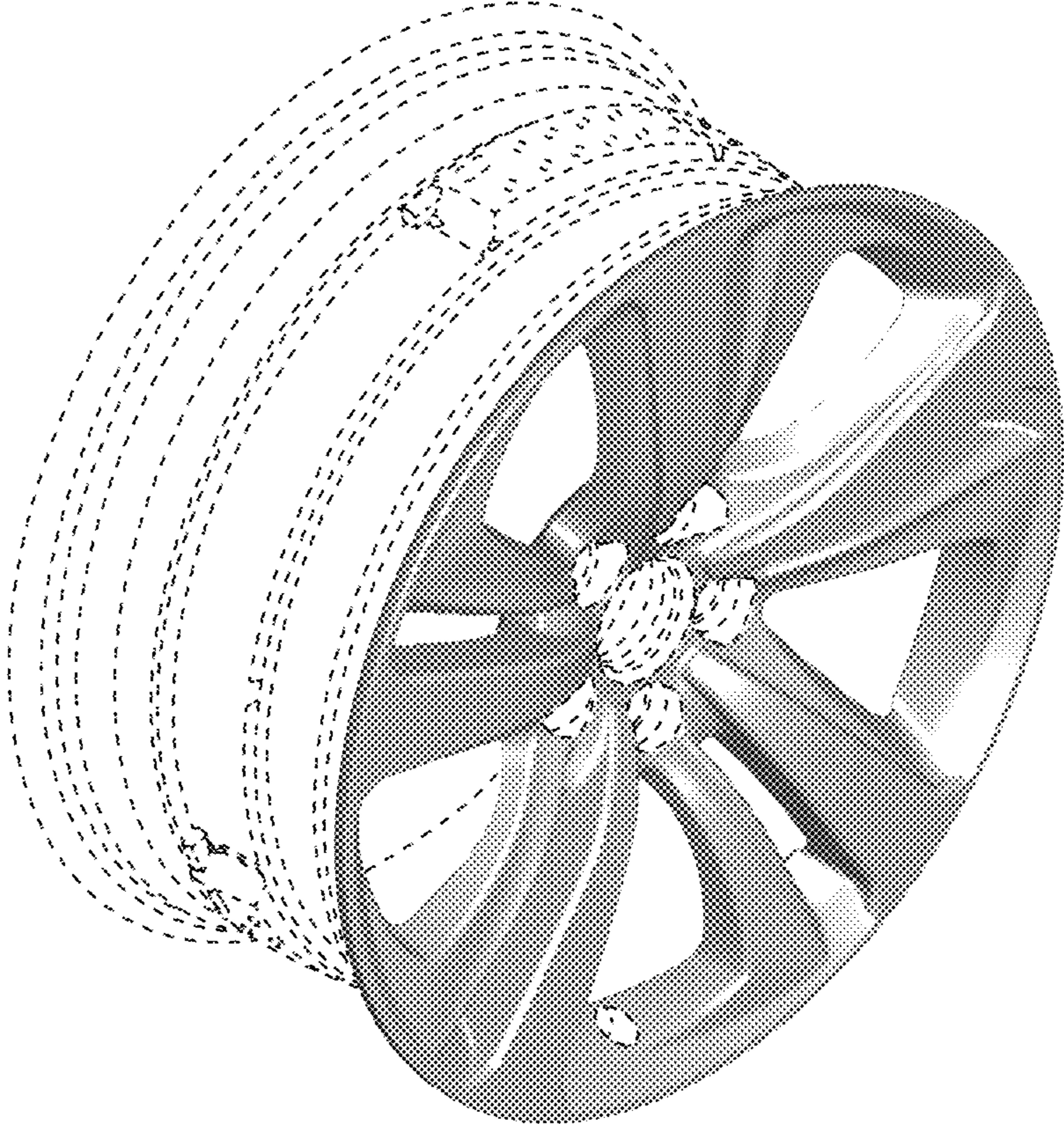


FIG. 1

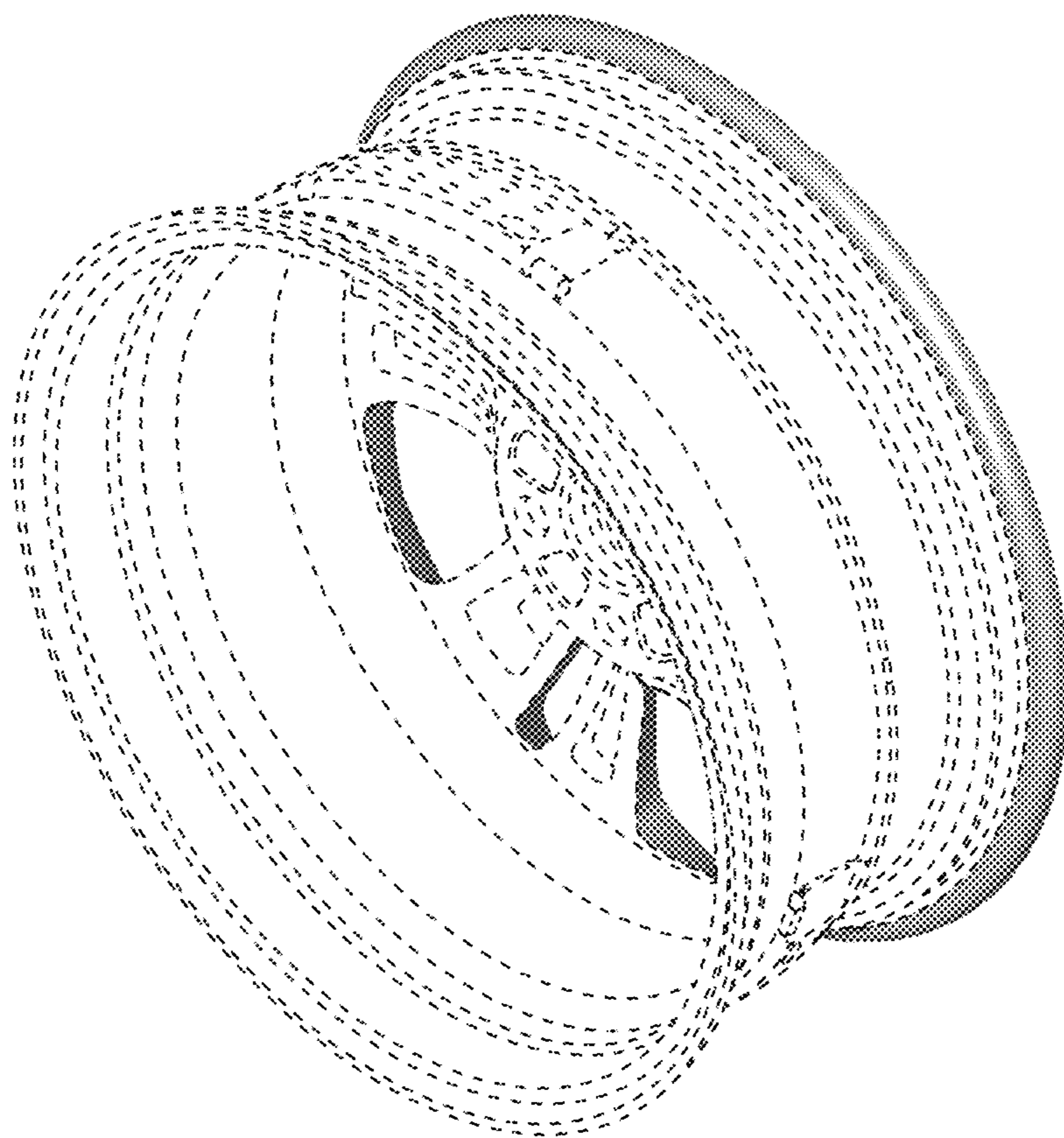


FIG. 2

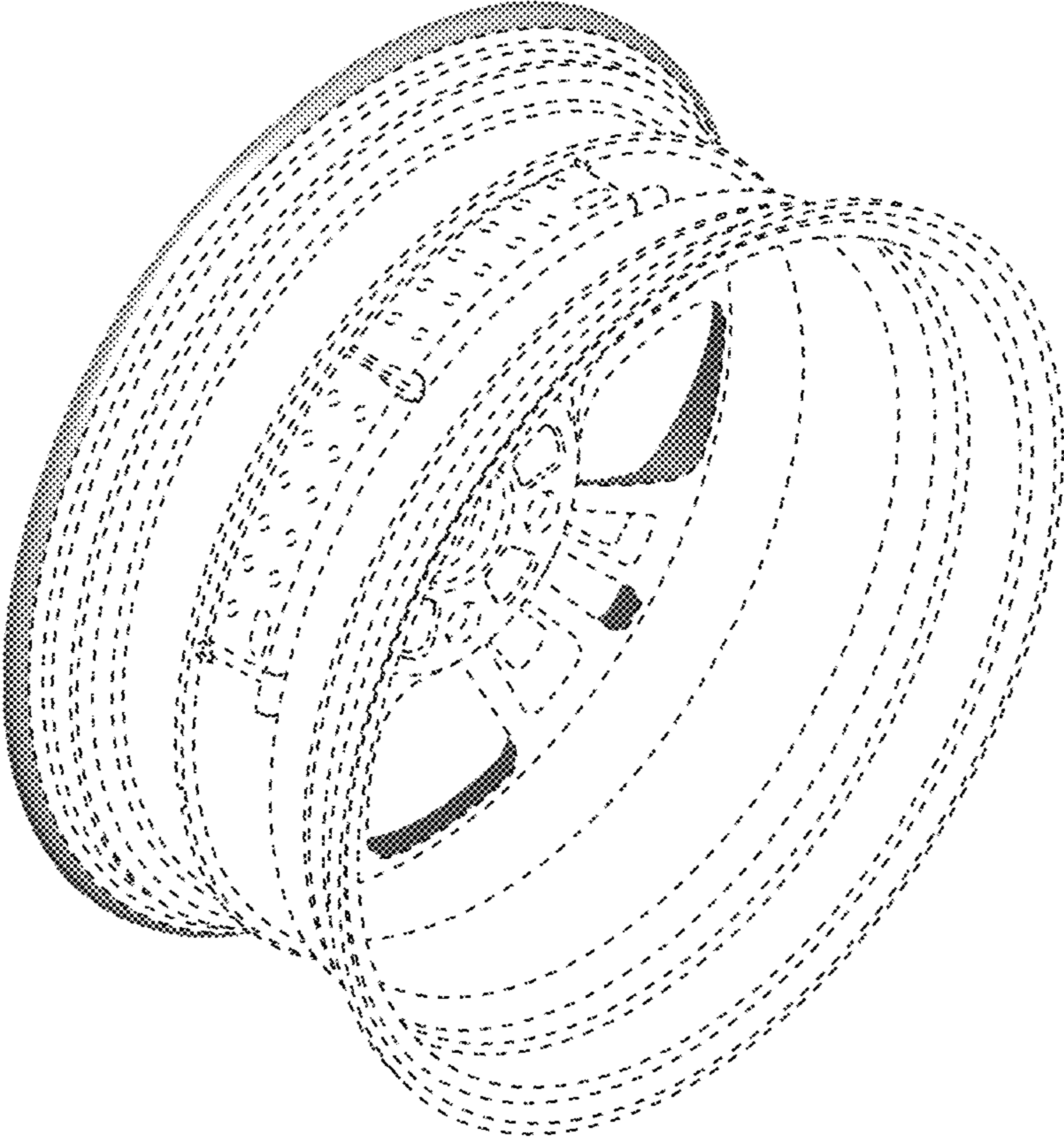


FIG. 3

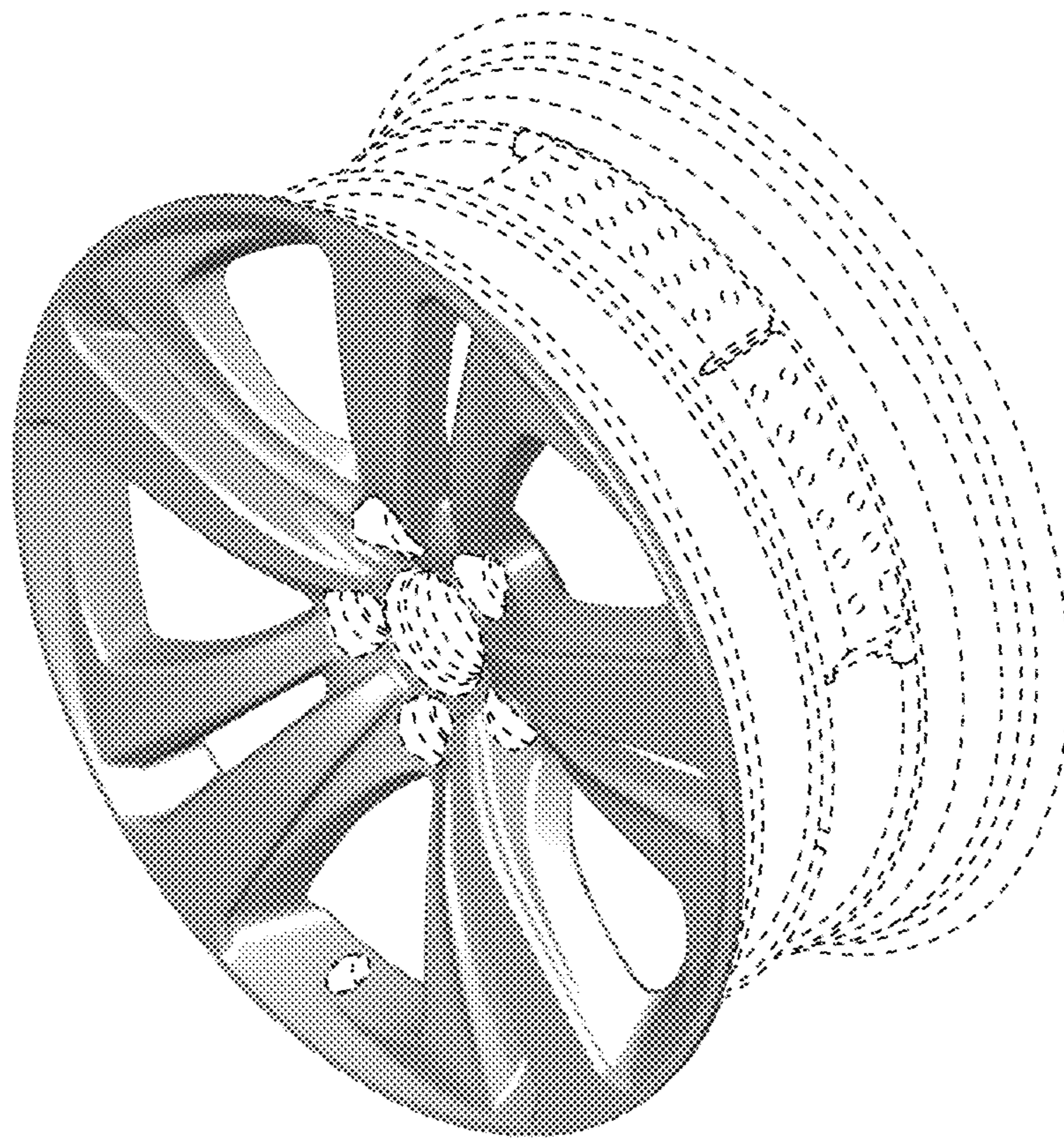


FIG. 4

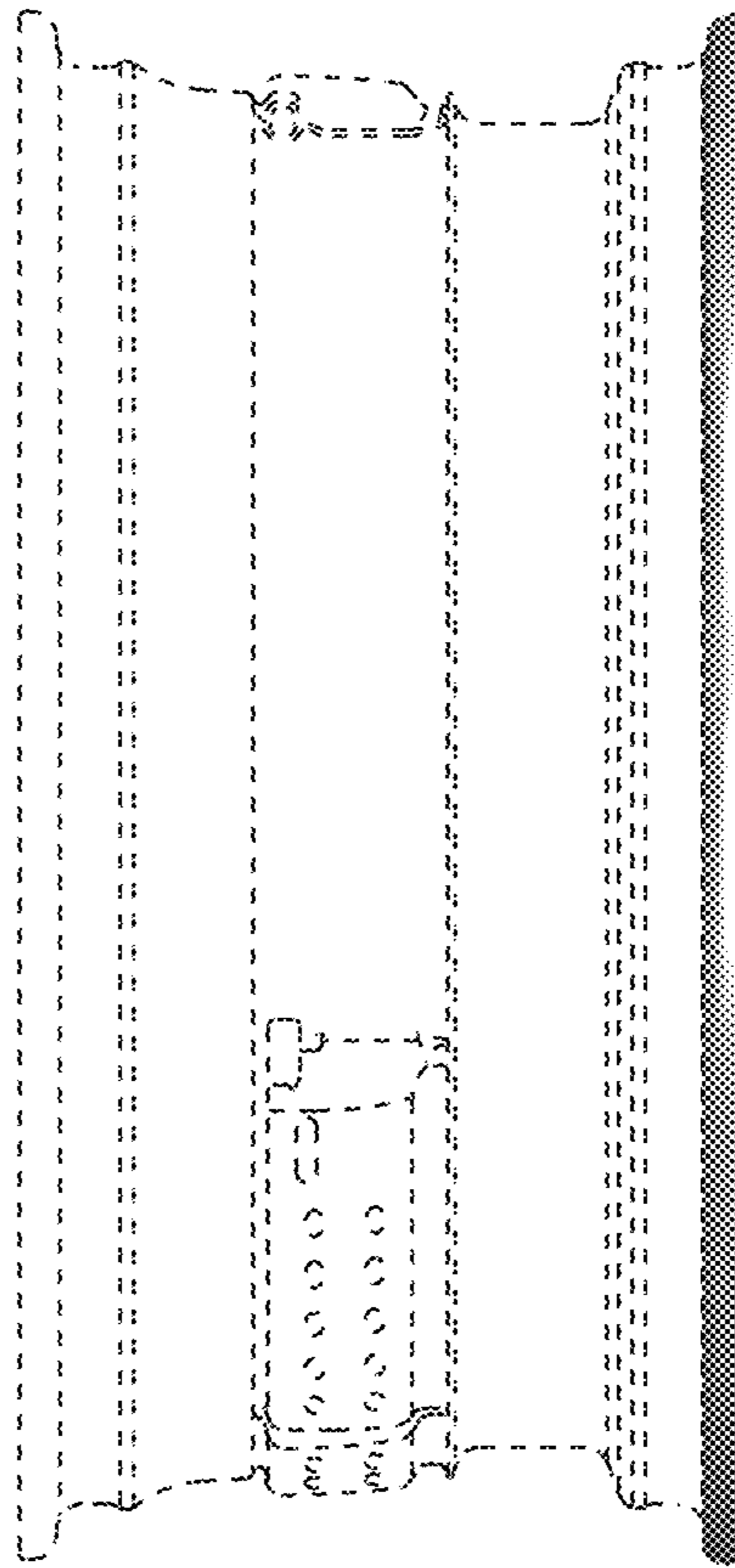


FIG. 5

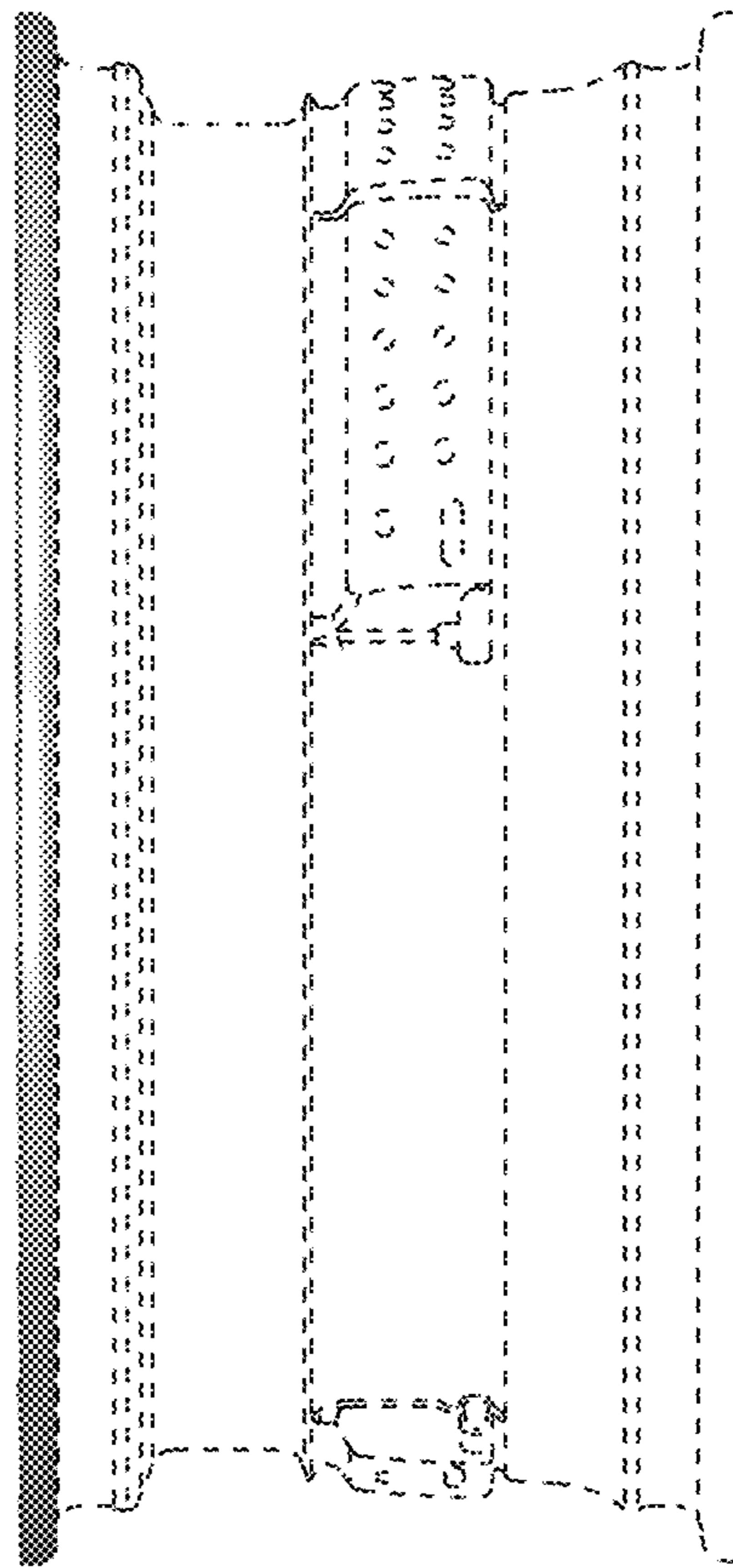


FIG. 6

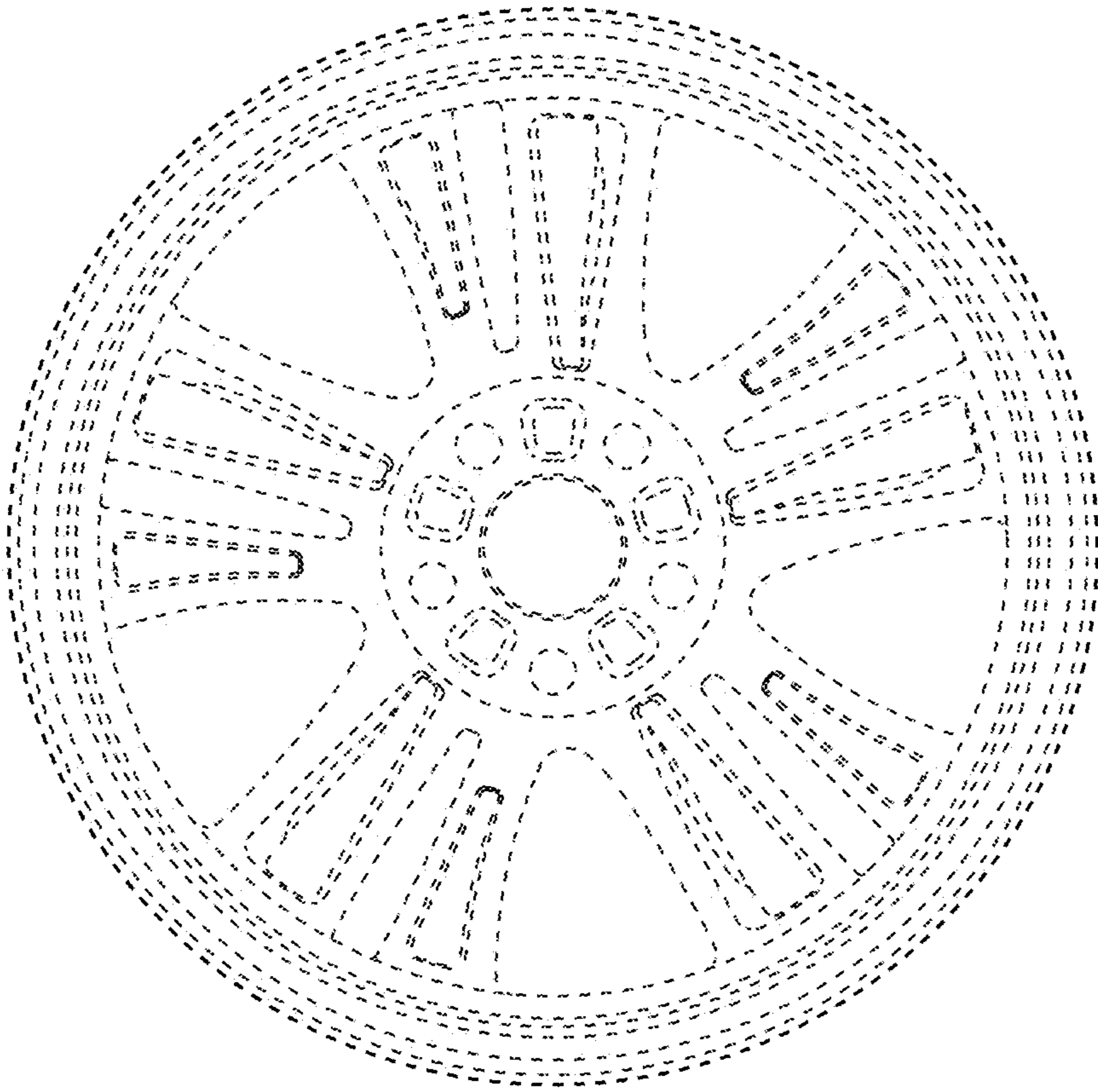


FIG. 7



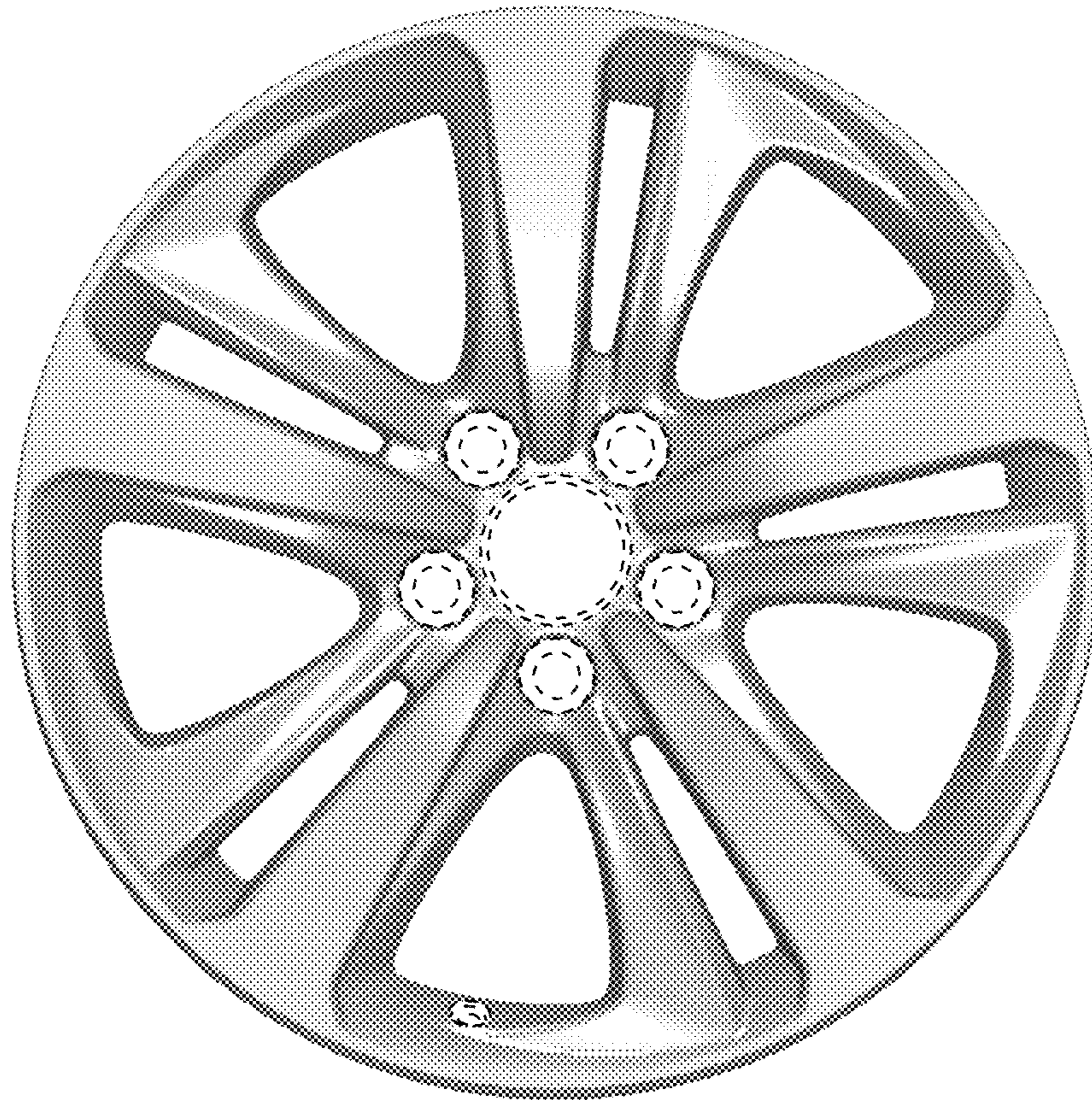


FIG. 8

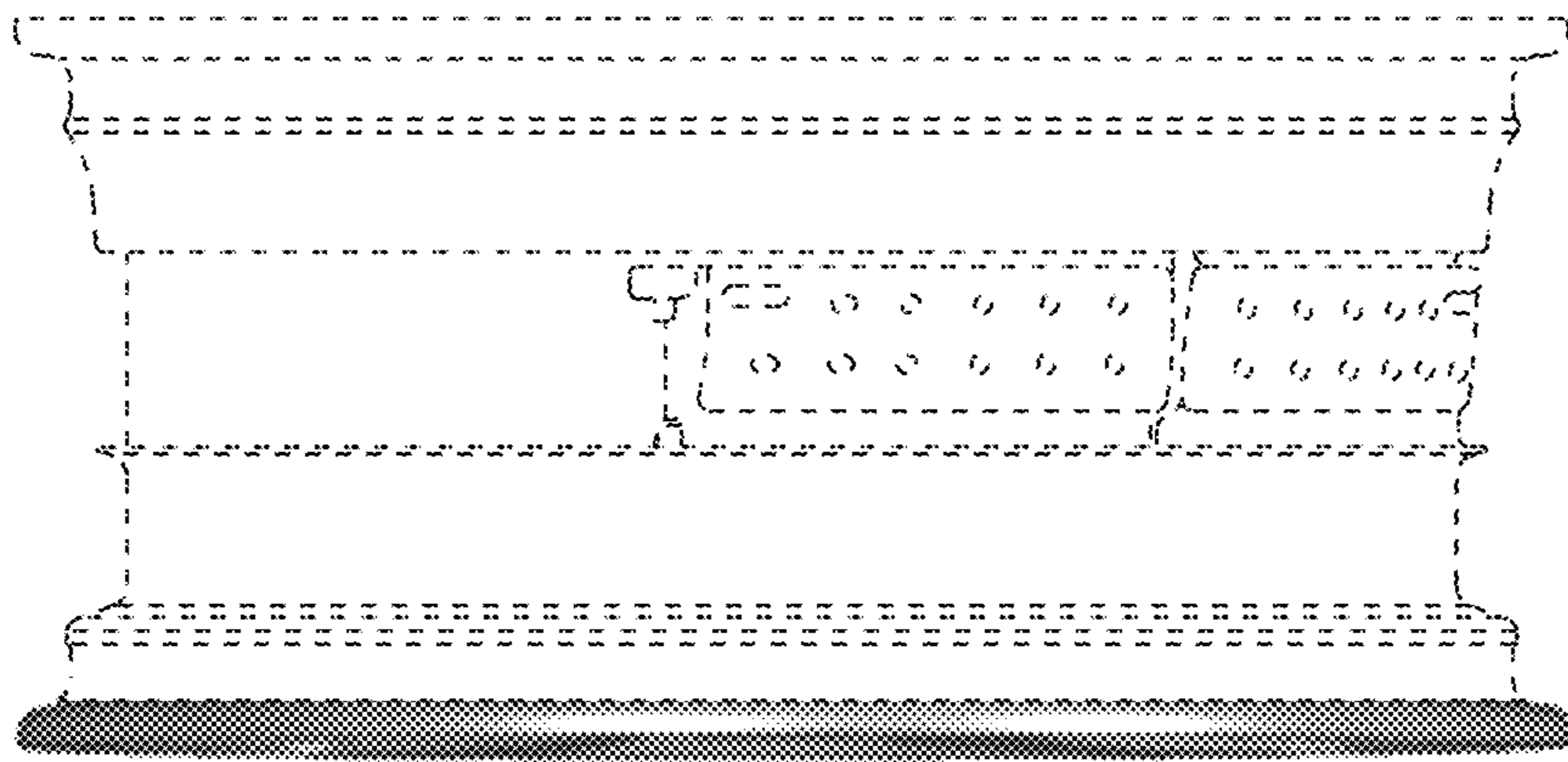


FIG. 9

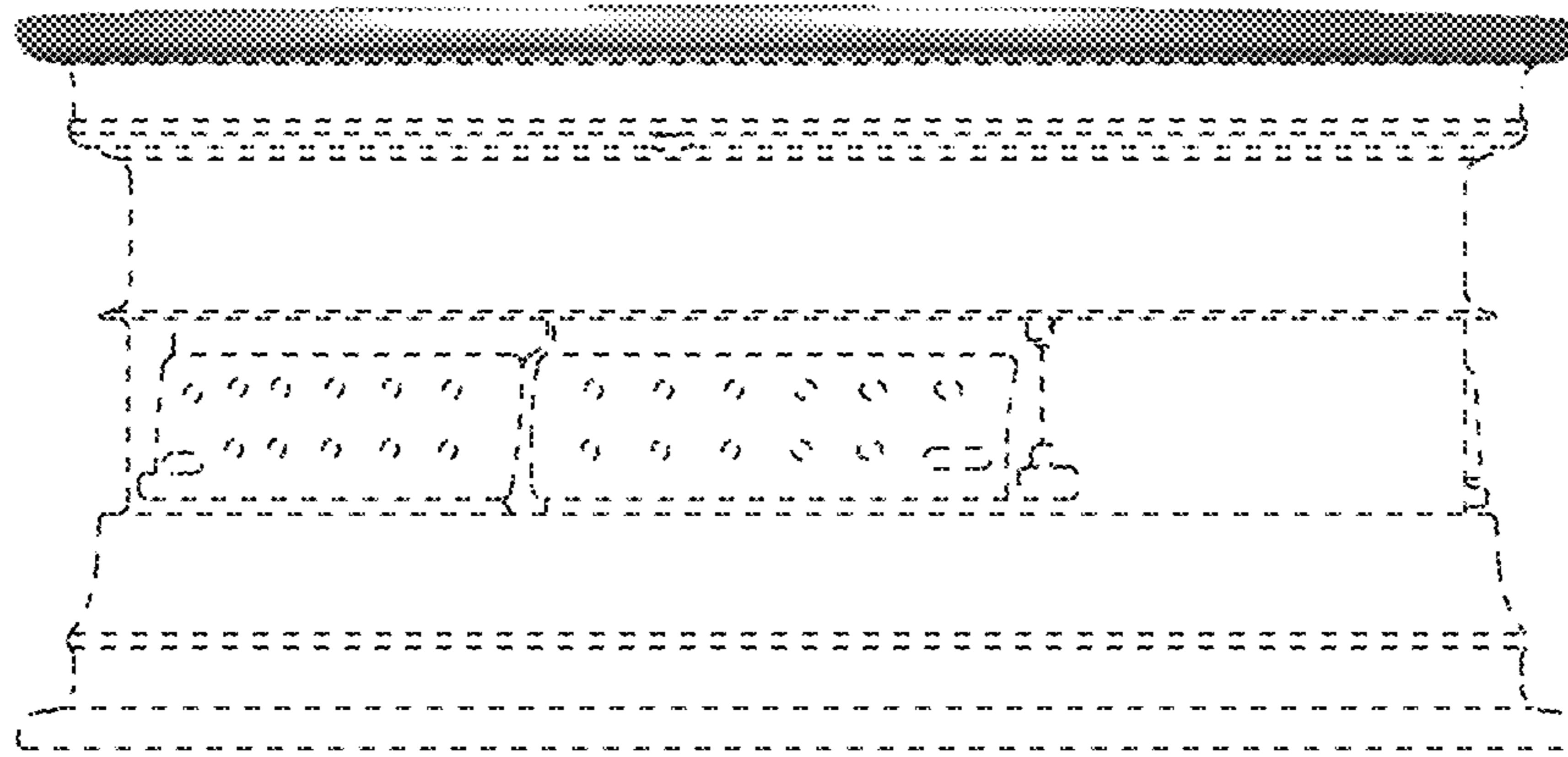


FIG. 10