



US00D899991S

(12) **United States Design Patent**  
**Kim et al.**

(10) **Patent No.:** **US D899,991 S**

(45) **Date of Patent:** **\*\* Oct. 27, 2020**

(54) **AUTOMOBILE DOOR**

(71) Applicant: **GUANGZHOU AUTOMOBILE GROUP CO., LTD.**, Guangzhou, Guangdong (CN)

(72) Inventors: **Hyunsoo Kim**, Guangdong (CN); **Martin Amazarian**, Guangdong (CN); **Zongxuan Wang**, Guangdong (CN); **Yuzhou Lin**, Guangdong (CN); **Aaron Yichan Chung**, Guangdong (CN); **Zhongqu Liu**, Guangdong (CN)

(73) Assignee: **GUANGZHOU AUTOMOBILE GROUP CO., LTD.**, Guangzhou (CN)

(\*\*) Term: **15 Years**

(21) Appl. No.: **29/695,755**

(22) Filed: **Jun. 21, 2019**

(30) **Foreign Application Priority Data**

Dec. 29, 2018 (CN) ..... 2018 3 0774079

(51) **LOC (12) Cl.** ..... **12-16**

(52) **U.S. Cl.**  
USPC ..... **D12/196**

(58) **Field of Classification Search**  
USPC ..... D8/300, 302, 305, 307, 315; D12/190, D12/193, 195, 196, 414  
CPC ..... E05B 81/56; E05B 81/80; E05B 65/00; E05B 65/06; E05B 65/10; E05B 65/12; E05B 79/06; B60J 5/04  
See application file for complete search history.

(56) **References Cited**

**U.S. PATENT DOCUMENTS**

D468,675 S \* 1/2003 Murkett ..... D12/196  
D558,113 S \* 12/2007 Leclercq ..... D12/196

D573,522 S \* 7/2008 Sato ..... D12/196  
D580,332 S \* 11/2008 Gueler ..... D12/196  
D583,288 S \* 12/2008 Leclercq ..... D12/196  
D593,016 S \* 5/2009 Habib ..... D12/196  
D593,471 S \* 6/2009 Larson ..... D12/196  
D593,918 S \* 6/2009 Larson ..... D12/196  
D601,072 S \* 9/2009 Giachin ..... D12/196  
D615,017 S \* 5/2010 Smith ..... D12/195  
D616,348 S \* 5/2010 Rosenbohm ..... D12/195  
D620,415 S \* 7/2010 Froehlich ..... D12/196  
D629,730 S \* 12/2010 Schneider ..... D12/196  
D633,022 S \* 2/2011 Hwang ..... D12/195  
D633,023 S \* 2/2011 Hwang ..... D12/195  
D636,317 S \* 4/2011 Matei ..... D12/196  
D645,388 S \* 9/2011 Kumai ..... D12/196  
D653,187 S \* 1/2012 Tomatsu ..... D12/196  
D665,321 S \* 8/2012 Huet ..... D12/196  
D674,328 S \* 1/2013 Ikuma ..... D12/196  
D676,366 S \* 2/2013 Yamada ..... D12/196  
D695,178 S \* 12/2013 Tada ..... D12/196  
D695,663 S \* 12/2013 Suga ..... D12/196

(Continued)

*Primary Examiner* — Susan Bennett Hattan

*Assistant Examiner* — Suzanne E Tisdell

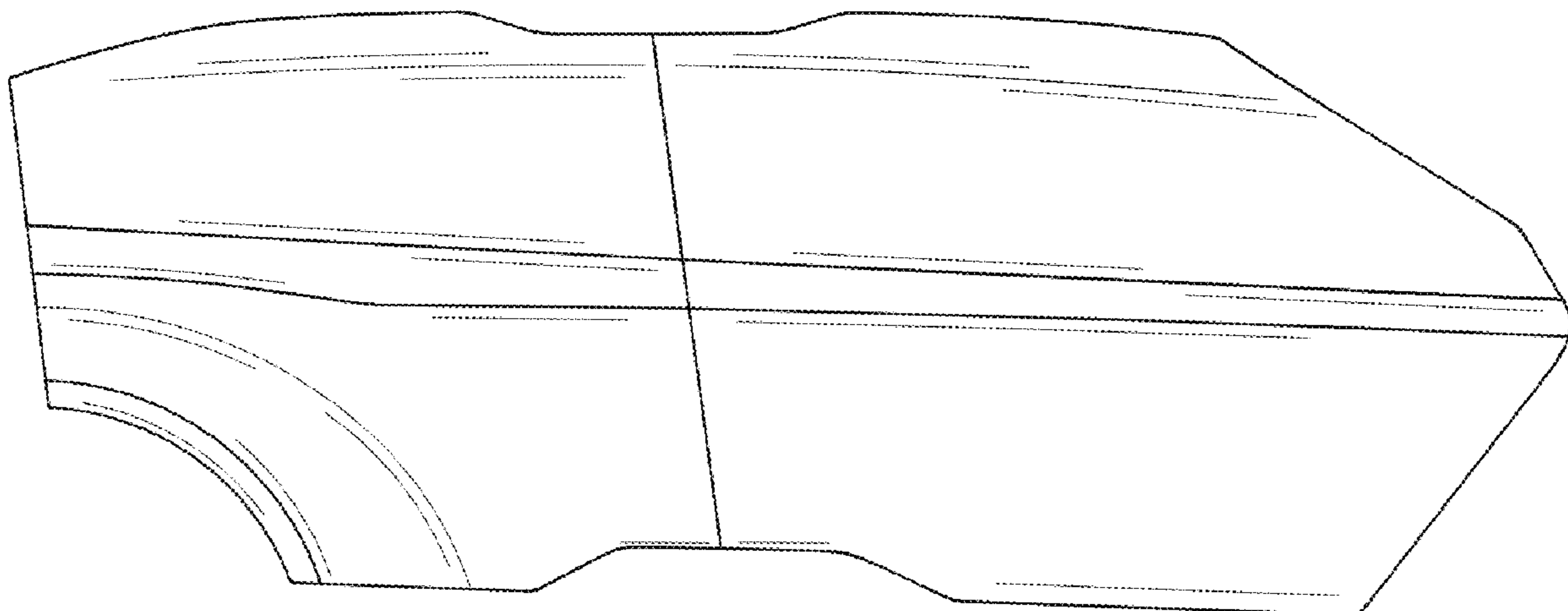
(57) **CLAIM**

The ornamental design for an automobile door, as shown and described.

**DESCRIPTION**

FIG. 1 is a front elevational view of an automobile door showing our new design;  
FIG. 2 is a rear elevational view thereof;  
FIG. 3 is a left side view thereof;  
FIG. 4 is a right side view thereof;  
FIG. 5 is a top plan view thereof;  
FIG. 6 is a bottom plan view thereof;  
FIG. 7 is a top, front and right side perspective view thereof;  
and,  
FIG. 8 is a top, rear and left side perspective view thereof.

**1 Claim, 4 Drawing Sheets**



(56)

## References Cited

## U.S. PATENT DOCUMENTS

D699,654 S \* 2/2014 Okue ..... D12/196  
D700,875 S \* 3/2014 Jevremovic ..... D12/196  
D701,809 S \* 4/2014 Hildebrand ..... D12/196  
D703,123 S \* 4/2014 Hildebrand ..... D12/196  
D705,149 S \* 5/2014 Sakae ..... D12/196  
D758,270 S \* 6/2016 Zadnik ..... D12/196  
D762,541 S \* 8/2016 Jo ..... D12/196  
D763,156 S \* 8/2016 Jo ..... D12/196  
D765,571 S \* 9/2016 Faghihzadeh ..... D12/196  
D772,758 S \* 11/2016 Frascella ..... D12/92  
D772,772 S \* 11/2016 Frascella ..... D12/196  
D775,567 S \* 1/2017 Faghihzadeh ..... D12/196  
D776,593 S \* 1/2017 Schneider ..... D12/196  
D779,407 S \* 2/2017 Bae ..... D12/196  
D781,194 S \* 3/2017 Bae ..... D12/196  
D785,529 S \* 5/2017 Kyung ..... D12/196  
D785,531 S \* 5/2017 Lim ..... D12/196  
D786,761 S \* 5/2017 Luk ..... D12/196  
D801,246 S \* 10/2017 Lee ..... D12/196  
D803,121 S \* 11/2017 Granlund ..... D12/196  
D803,122 S \* 11/2017 Granlund ..... D12/196  
2015/0329057 A1 \* 11/2015 Tiboni ..... B62D 65/14  
296/37.13  
2015/0360623 A1 \* 12/2015 Larsen ..... B60R 13/02  
296/29  
2016/0114658 A1 \* 4/2016 Yokota ..... B60J 5/0402  
49/489.1  
2016/0160540 A1 \* 6/2016 Bejune ..... E05B 77/06  
292/196  
2016/0187107 A1 \* 6/2016 Johnston ..... F41H 7/00  
89/36.08  
2016/0280129 A1 \* 9/2016 Newbound ..... B60Q 3/217  
2018/0051492 A1 \* 2/2018 Smith ..... E05B 79/06  
2018/0051493 A1 \* 2/2018 Krishnan ..... E05B 81/86

\* cited by examiner

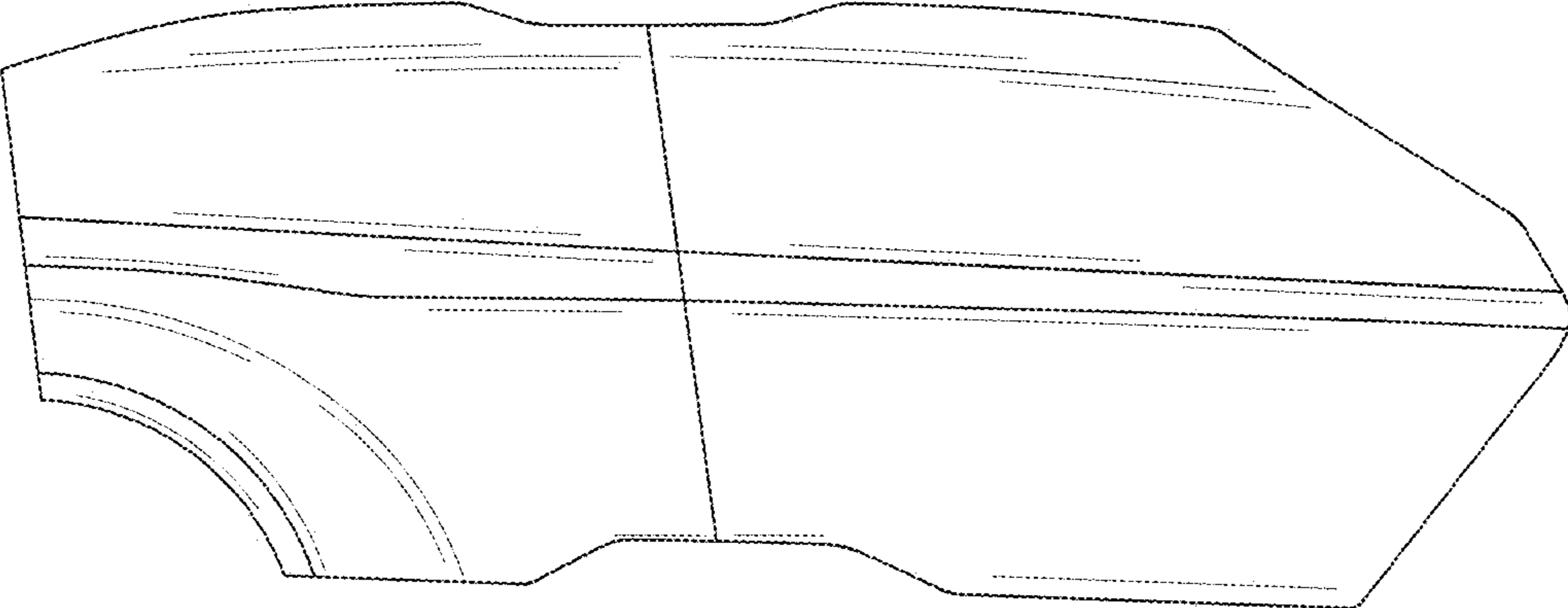


FIG.1

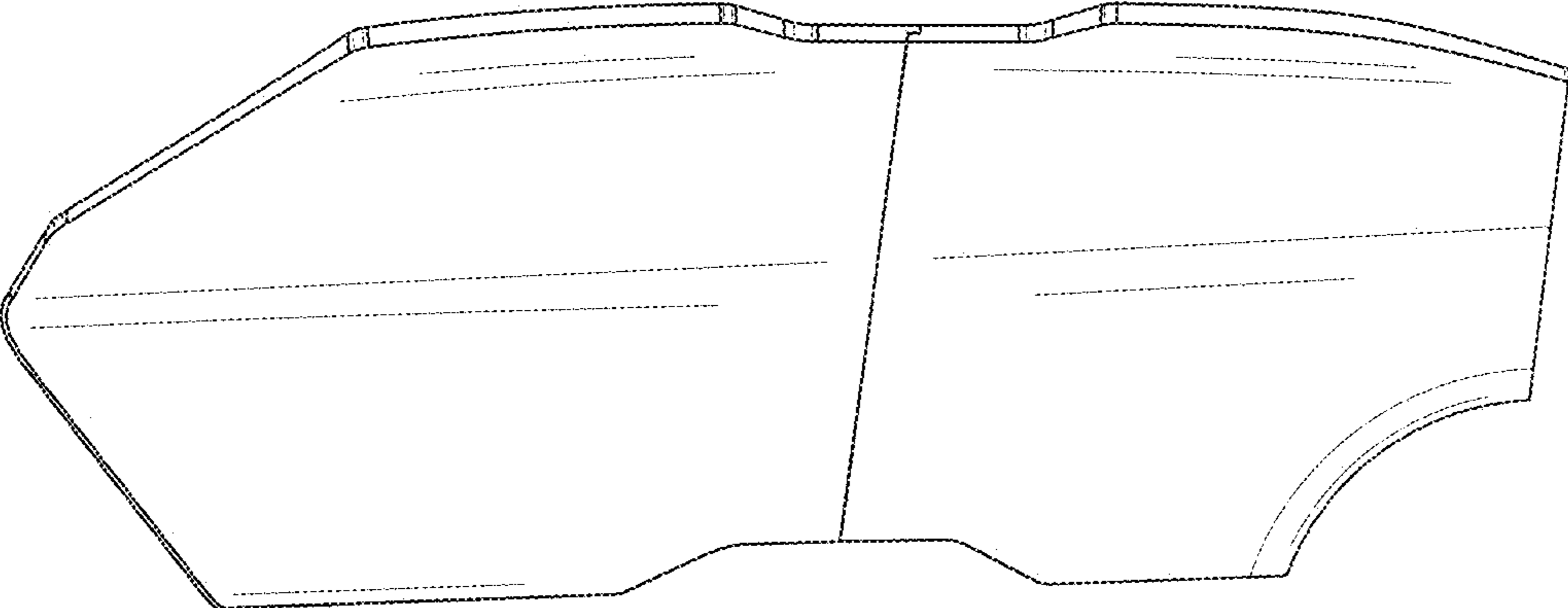


FIG.2

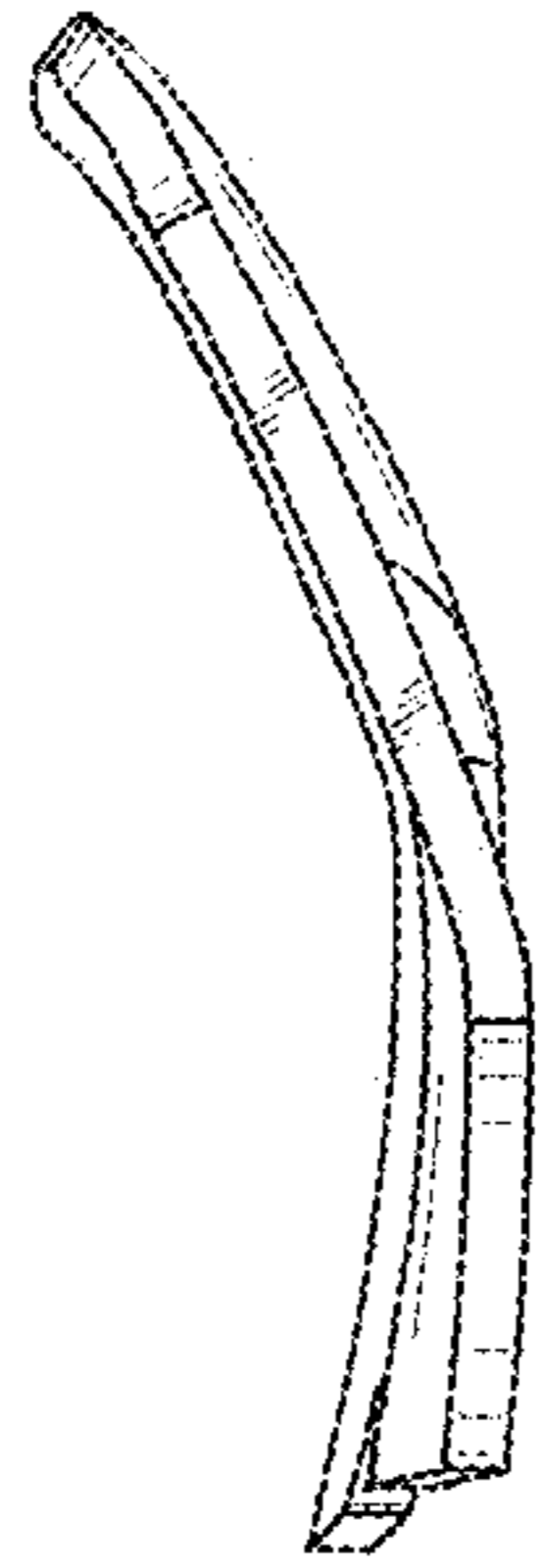


FIG.3

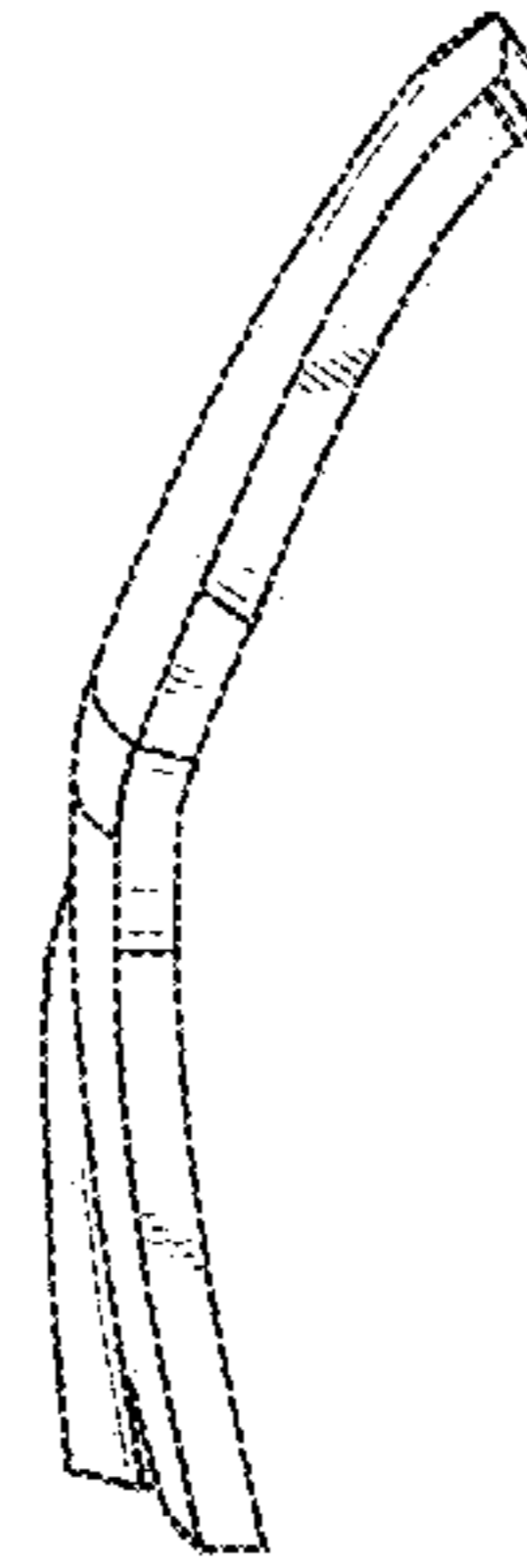


FIG.4

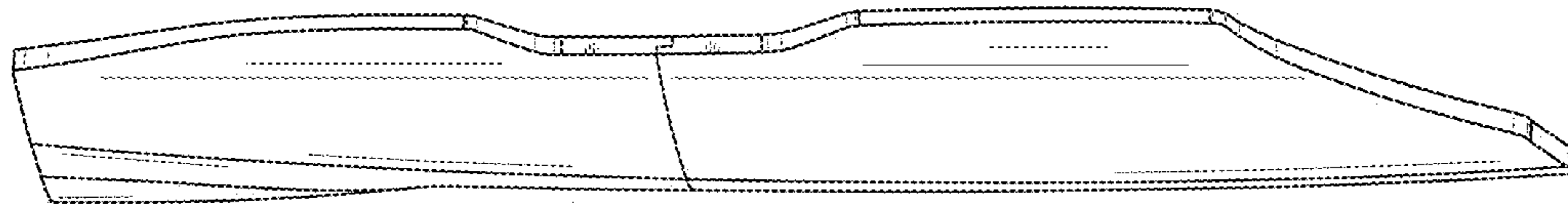


FIG.5

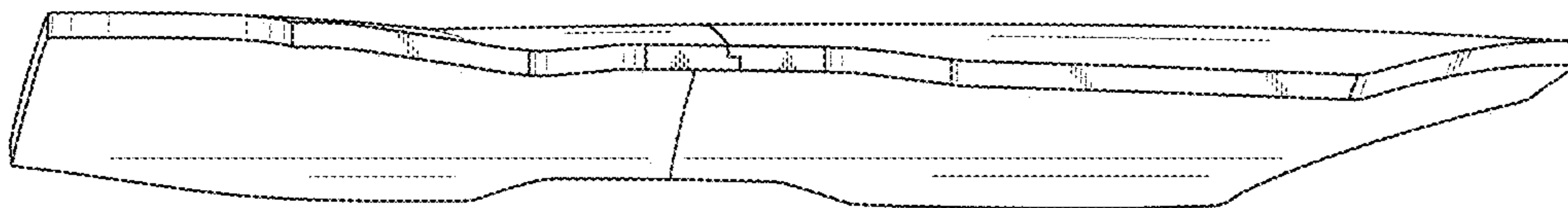


FIG.6

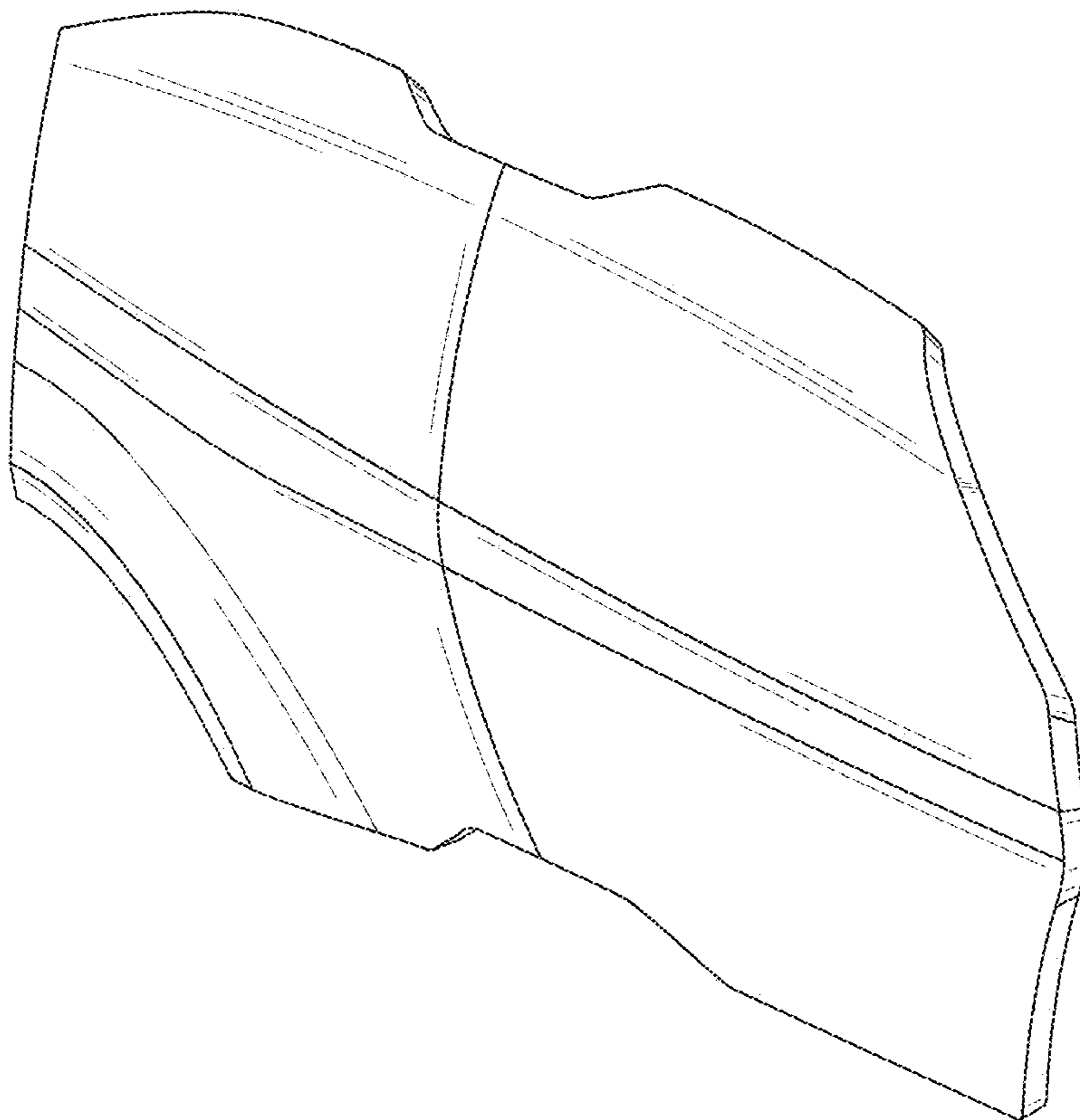


FIG. 7

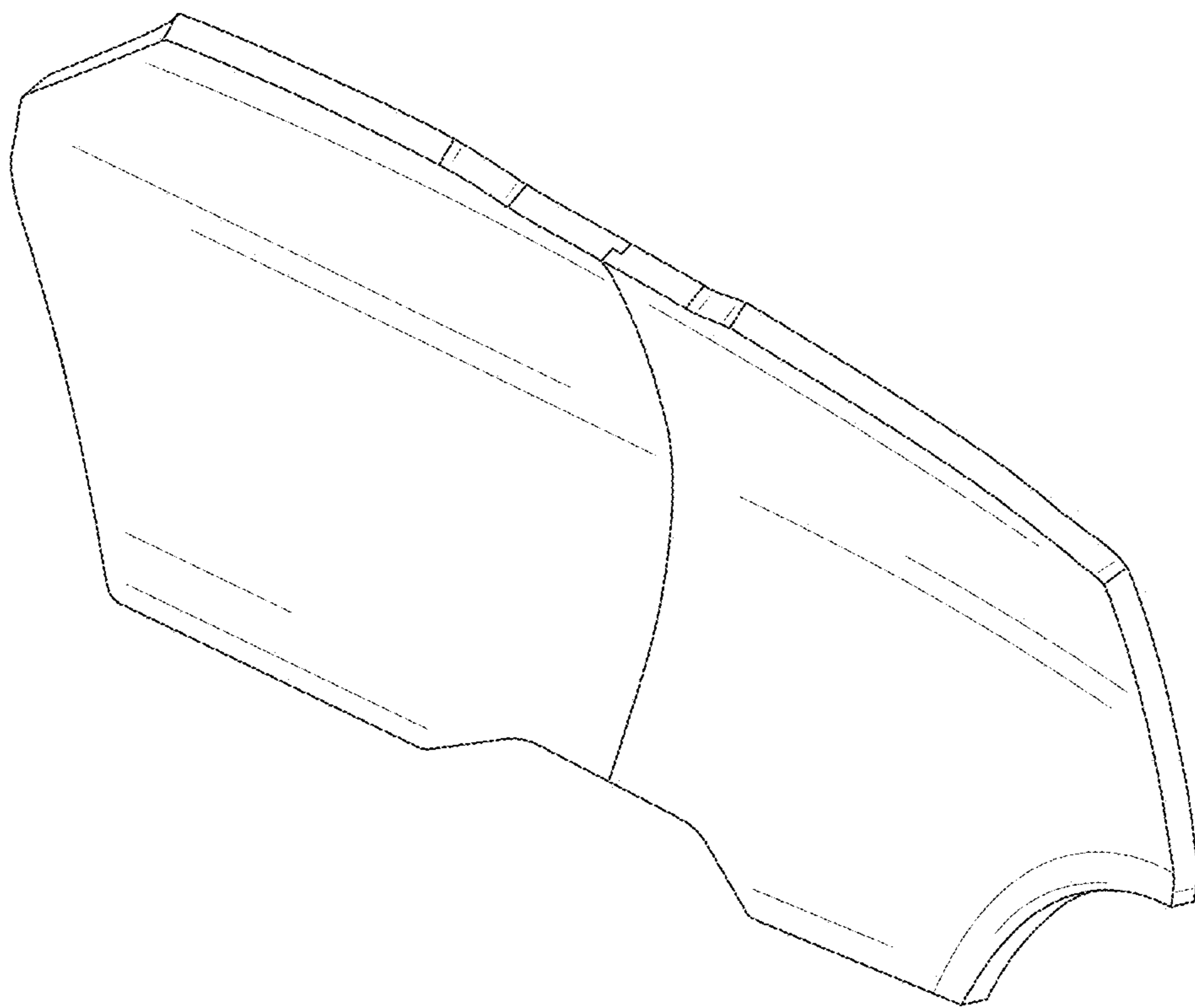


FIG.8