



US00D899989S

(12) **United States Design Patent** (10) **Patent No.:** **US D899,989 S**
Chi (45) **Date of Patent:** **** Oct. 27, 2020**

(54) **SKID PLATE FOR VEHICLE**
(71) Applicant: **Razer Auto, Inc.**, Upland, CA (US)
(72) Inventor: **Samuel Chi**, Upland, CA (US)
(73) Assignee: **Razer Auto, Inc.**, Upland, CA (US)
(**) Term: **15 Years**
(21) Appl. No.: **29/670,547**

D664,903 S 8/2012 Platto
D690,639 S 10/2013 Messale
8,899,552 B2 12/2014 Haynes
D727,805 S * 4/2015 Grake D12/169
D739,321 S * 9/2015 Blanski D12/169
D740,719 S 10/2015 Schanz
D743,856 S 11/2015 Ma
D749,470 S * 2/2016 Behmer D12/169
D769,163 S 10/2016 Platto
D786,146 S 5/2017 Woodhouse
D800,621 S 10/2017 Bucher
D863,149 S * 10/2019 Luke D12/169

(Continued)

(22) Filed: **Nov. 16, 2018**
(51) **LOC (12) Cl.** **12-16**
(52) **U.S. Cl.**
USPC **D12/196**
(58) **Field of Classification Search**
USPC D12/86, 163, 164, 169, 173, 175, 177,
D12/184, 196
CPC B60D 1/60; B60R 3/00; B60R 3/02; B60R
3/002; B60R 3/007; B66F 3/005
See application file for complete search history.

OTHER PUBLICATIONS

Razer OffRoad RZKYFB-4019 <https://web.archive.org/web/20190506033042/http://www.razeroffroad.com/> Available May 6, 2019 (Year: 2019).*

(Continued)

Primary Examiner — Leanne Was-Englehart
(74) *Attorney, Agent, or Firm* — Eric Kelly

(56) **References Cited**

U.S. PATENT DOCUMENTS

D281,872 S * 12/1985 Teague D12/169
5,791,633 A 8/1998 Walker
5,992,926 A 11/1999 Christofaro
6,516,907 B2 2/2003 Robinson
D474,726 S 5/2003 Weber
D487,041 S 2/2004 Schlachter
D507,516 S 7/2005 Marchese
D508,448 S 8/2005 Marchese
D508,668 S 8/2005 Marchese
D508,669 S 8/2005 Marchese
D509,466 S 9/2005 Marchese
D599,265 S 9/2009 Gueler
D605,977 S * 12/2009 Zipfel D12/91
D616,797 S 6/2010 Lamm
D617,696 S * 6/2010 Lamm D12/169
D617,697 S * 6/2010 Lamm D12/169
D647,445 S 10/2011 Tonello

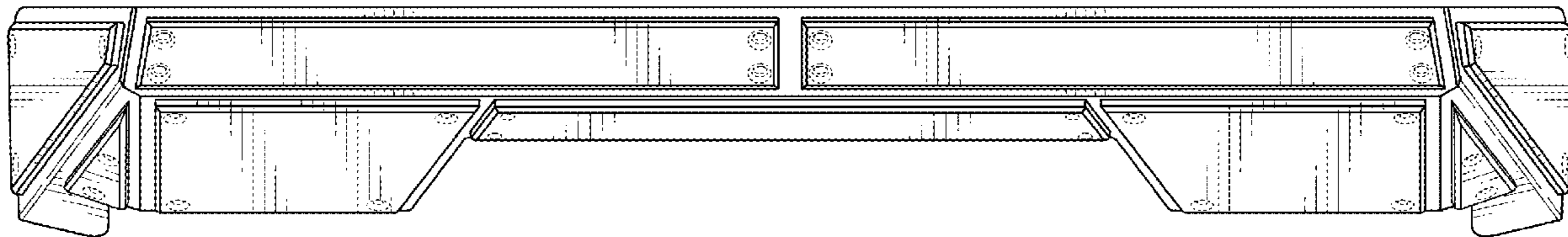
(57) **CLAIM**

What is claimed is the ornamental design for a skid plate for vehicle, as shown and described.

DESCRIPTION

FIG. 1 illustrates a perspective view of a skid plate for vehicle;
FIG. 2 illustrates a rear view thereof;
FIG. 3 illustrates a front view thereof;
FIG. 4 illustrates a right-side view thereof;
FIG. 5 illustrates a left-side view thereof;
FIG. 6 illustrates a top view thereof; and,
FIG. 7 illustrates a bottom view thereof.
The broken lines in the figures depict portions of the skid plate for vehicle that form no part of the claimed design.

1 Claim, 6 Drawing Sheets



(56)

References Cited

U.S. PATENT DOCUMENTS

D877,005 S * 3/2020 Luke D12/169

OTHER PUBLICATIONS

A Skid Plate for Vehicle for a Jeep Wrangler available from [www.amazon.com](https://www.amazon.com/EAG-Wrangler-51-0308-51-0308L-51-0328/dp/B0772M1WCY/ref=sr_1_14?e=UTF8&qid=1531959420&sr=8-14&keywords=skid+plate+for+jeep) publicly available at least as early as Jul. 18, 2018: https://www.amazon.com/EAG-Wrangler-51-0308-51-0308L-51-0328/dp/B0772M1WCY/ref=sr_1_14?e=UTF8&qid=1531959420&sr=8-14&keywords=skid+plate+for+jeep.

A Skid Plate for Vehicle for a Jeep Wrangler available from [www.amazon.com](https://www.amazon.com/EAG-Wrangler-51-0357-51-0366-51-0374/dp/B076D3RV1C/ref=pd_sbs_263_4?_encoding=UTF8&pd_rd_i=B076D3RV1C&pd_rd_r=337e0520-8ae9-11e8-8c50-7bcf6a096853&pd_rd_w=2GHbP&pd_rd_wg=4rHca&pf_rd_i=desktop-dp-) publicly available at least as early as Jul. 18, 2018: https://www.amazon.com/EAG-Wrangler-51-0357-51-0366-51-0374/dp/B076D3RV1C/ref=pd_sbs_263_4?_encoding=UTF8&pd_rd_i=B076D3RV1C&pd_rd_r=337e0520-8ae9-11e8-8c50-7bcf6a096853&pd_rd_w=2GHbP&pd_rd_wg=4rHca&pf_rd_i=desktop-dp-.

A Skid Plate for Vehicle for a Jeep Wrangler available from [www.amazon.com](https://www.amazon.com/Rough-Country-Front-Wrangler-Unlimited/dp/B00EV7D1AE/ref=pd_sbs_263_1?_encoding=UTF8&pd_rd_i=B00EV7D1AE&pd_rd_r=ff425749-8aed-11e8-acf3-4d007e1e88bd&pd_rd_w=ijVwW&pd_rd_wg=tv0q2&pf_rd_i=desktop-dp-) publicly available at least as early as Jul. 18, 2018: https://www.amazon.com/Rough-Country-Front-Wrangler-Unlimited/dp/B00EV7D1AE/ref=pd_sbs_263_1?_encoding=UTF8&pd_rd_i=B00EV7D1AE&pd_rd_r=ff425749-8aed-11e8-acf3-4d007e1e88bd&pd_rd_w=ijVwW&pd_rd_wg=tv0q2&pf_rd_i=desktop-dp-.

A Skid Plate for Vehicle available from [www.amazon.com](https://www.amazon.com/dp/B003CLMS68/ref=psdc_15736021_J3_B00EV7D1AE) publicly available at least as early as Jul. 18, 2018: https://www.amazon.com/dp/B003CLMS68/ref=psdc_15736021_J3_B00EV7D1AE.

* cited by examiner

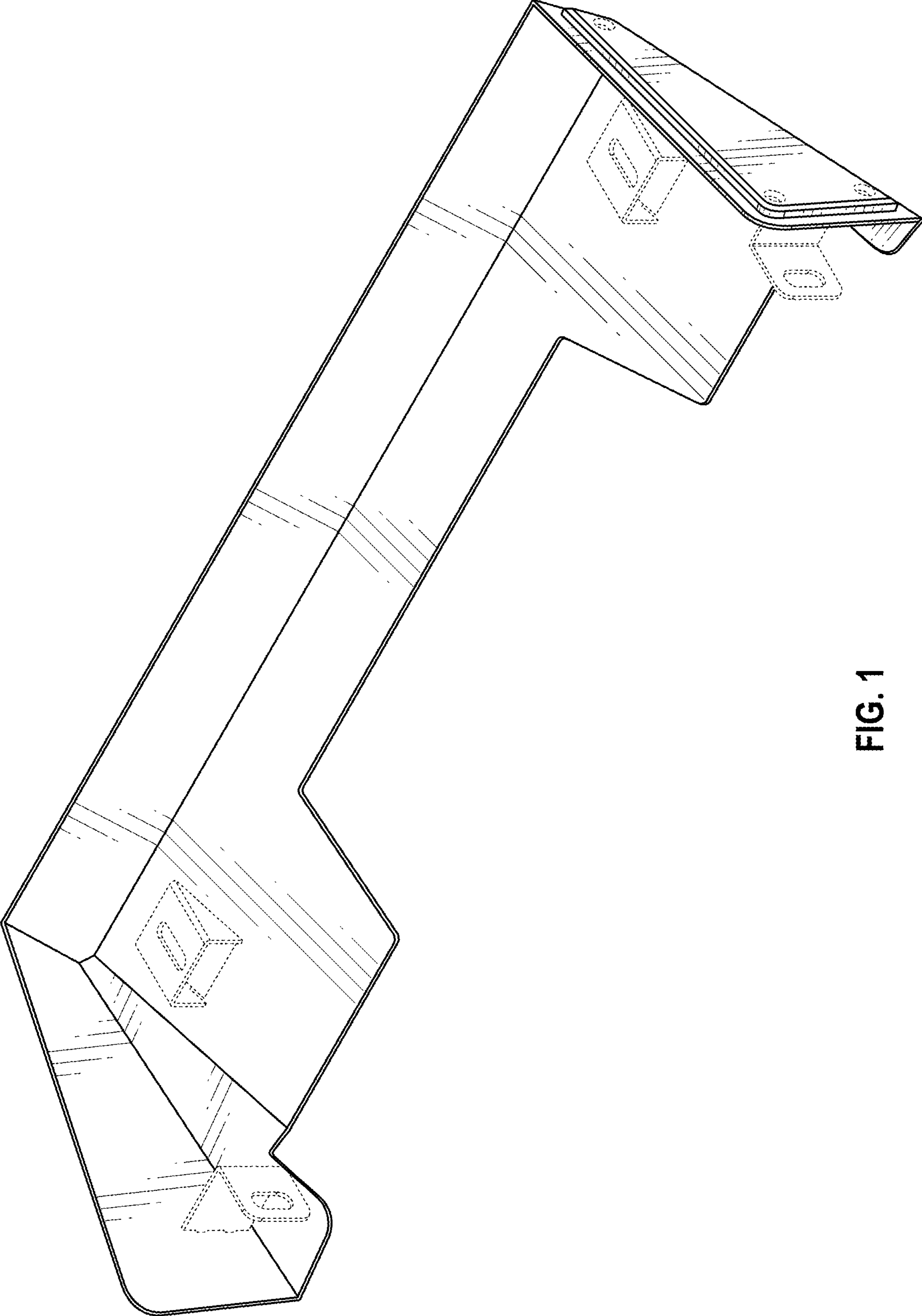


FIG. 1

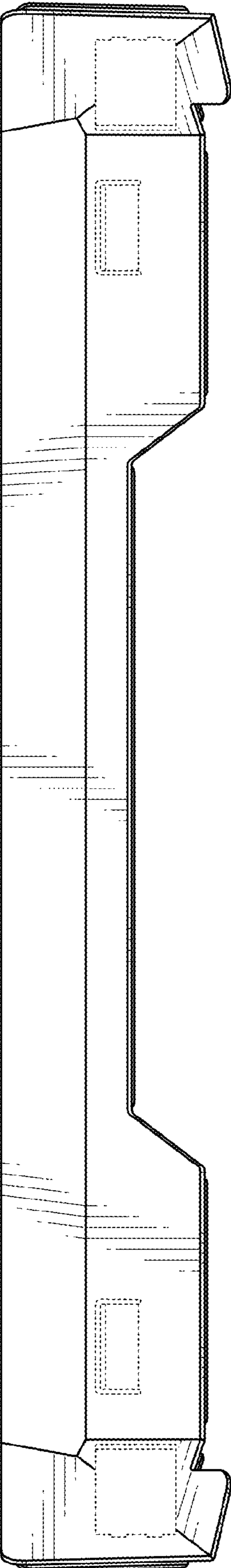


FIG. 2

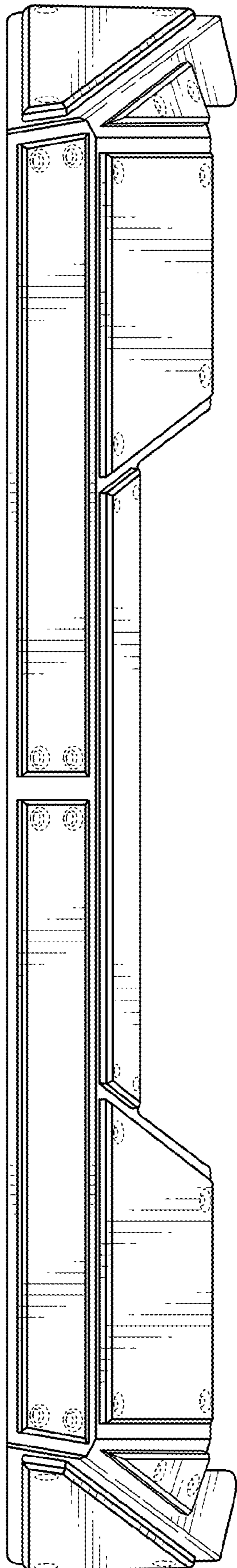


FIG. 3

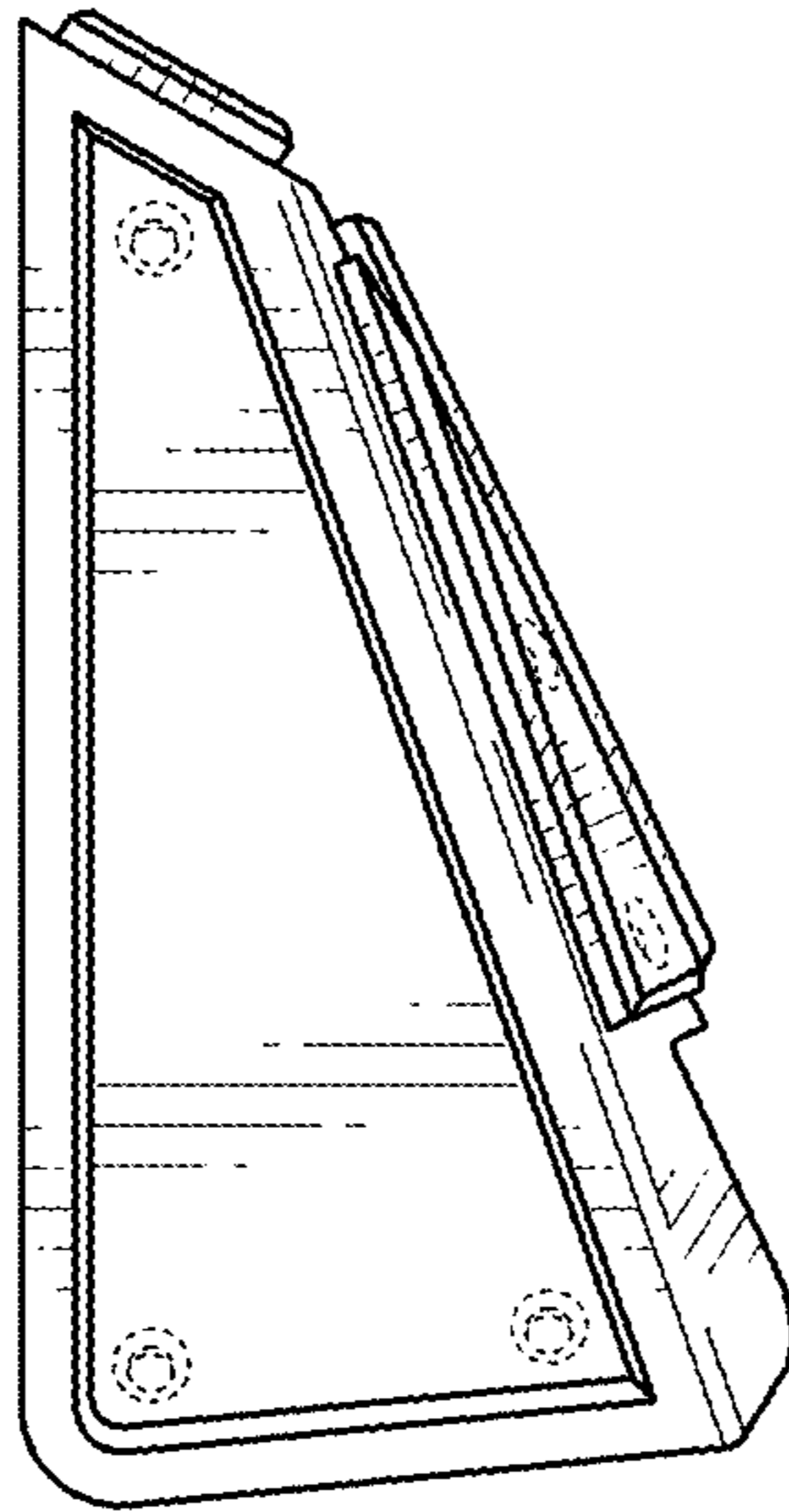


FIG. 5

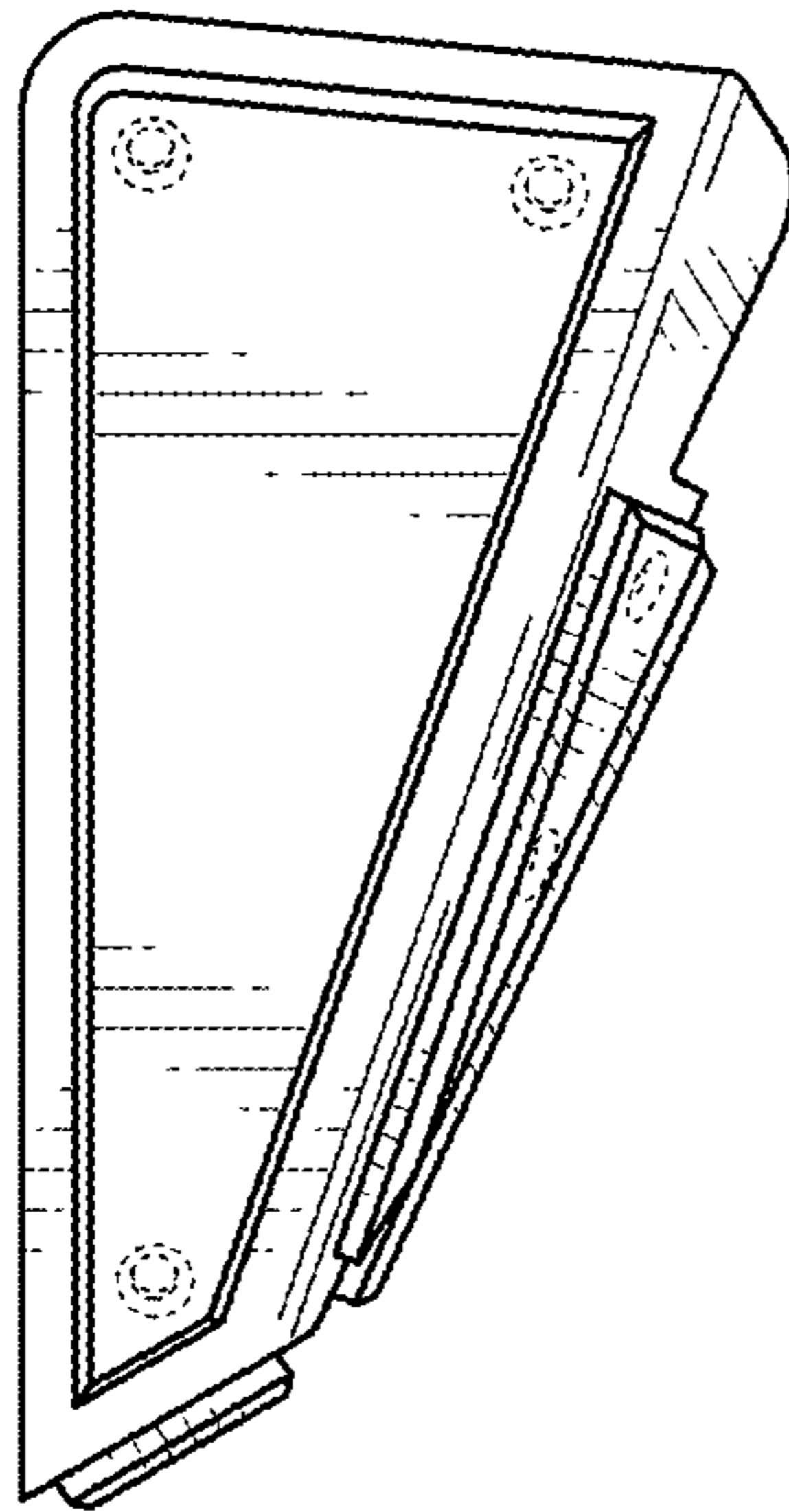


FIG. 4

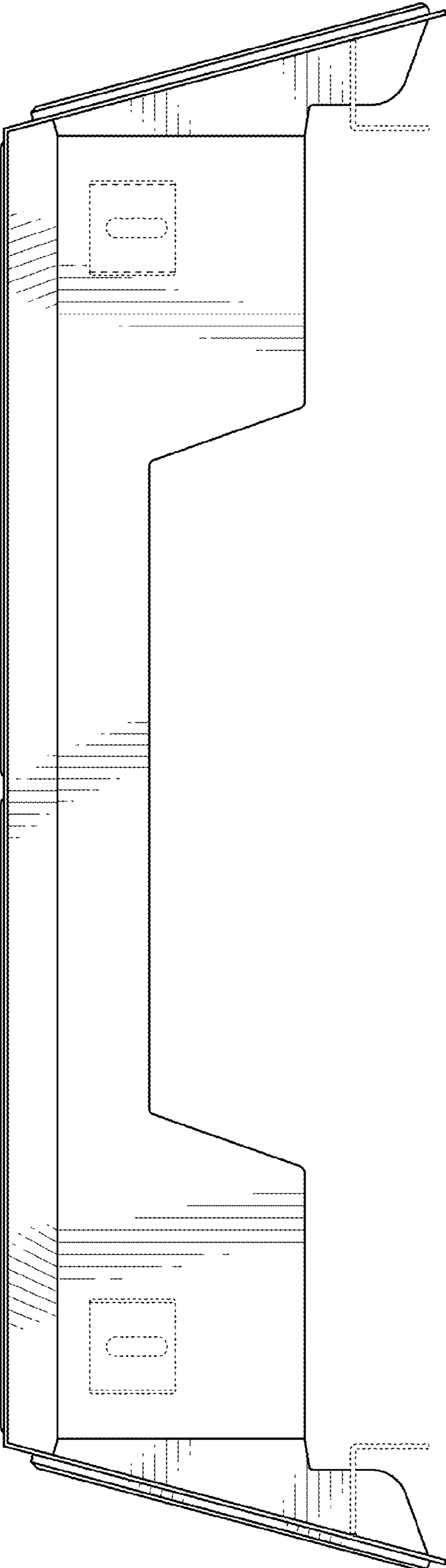


FIG. 6

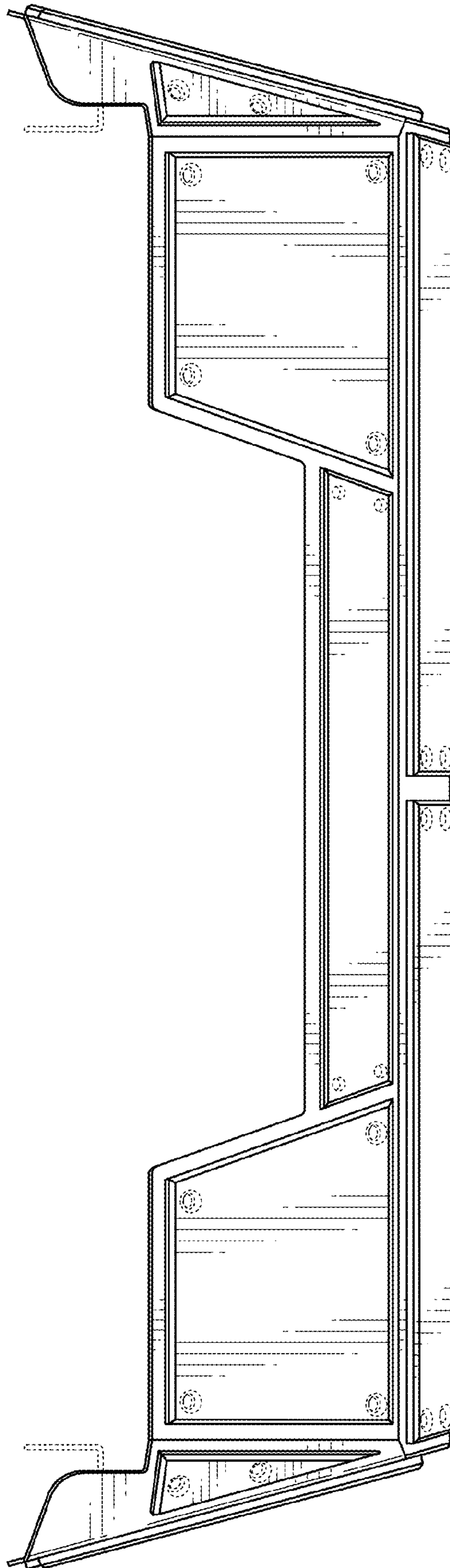


FIG. 7