



US00D899987S

(12) **United States Design Patent** (10) **Patent No.:** **US D899,987 S**  
**Nordin et al.** (45) **Date of Patent:** **\*\* Oct. 27, 2020**

(54) **VEHICLE INNER DOOR PANEL**  
(71) Applicant: **POLESTAR PERFORMANCE AB,**  
Gothenburg (SE)  
(72) Inventors: **Henrik Nordin,** Gothenburg (SE);  
**Juan Pablo Bernal,** Gothenburg (SE);  
**Lisa Reeves,** Torslanda (SE)  
(73) Assignee: **POLESTAR PERFORMANCE AB,**  
Gothenburg (SE)

(\*\*) Term: **15 Years**

(21) Appl. No.: **29/690,094**

(22) Filed: **May 6, 2019**

(30) **Foreign Application Priority Data**

Nov. 6, 2018 (EM) ..... 005818275-0003

(51) **LOC (12) Cl.** ..... **12-08**

(52) **U.S. Cl.**  
USPC ..... **D12/195**

(58) **Field of Classification Search**  
USPC ..... D12/195, 193, 414, 190, 196; D15/17,  
D15/28; D10/46, 98, 102, 103; D8/302,  
D8/303  
CPC ..... B60J 5/04; B60N 2/466; B60N 2/4693;  
B60R 13/0243

See application file for complete search history.

(56) **References Cited**

**U.S. PATENT DOCUMENTS**

D435,003 S \* 12/2000 Tsay ..... D12/195  
D463,343 S \* 9/2002 Siegert ..... D12/195  
D531,101 S \* 10/2006 Yu ..... D12/195  
D573,074 S \* 7/2008 Nakajima ..... D12/195  
D577,645 S \* 9/2008 Wyszogrod ..... D12/195  
D577,646 S \* 9/2008 Wyszogrod ..... D12/195  
D595,200 S \* 6/2009 Rosenbohm ..... D12/195

D616,348 S \* 5/2010 Rosenbohm ..... D12/195  
D633,022 S \* 2/2011 Hwang ..... D12/195  
D671,872 S \* 12/2012 Tago ..... D12/195  
D672,298 S \* 12/2012 Tago ..... D12/195  
D710,282 S \* 8/2014 Min ..... D12/195  
D712,813 S \* 9/2014 Tanaka ..... D12/195  
D714,700 S \* 10/2014 Yamamoto ..... D12/195  
D715,204 S \* 10/2014 Peltola ..... D12/195  
D716,210 S \* 10/2014 Ishikawa ..... D12/195  
D719,884 S \* 12/2014 Peltola ..... D12/195  
D726,082 S \* 4/2015 Finney ..... D12/195  
D756,873 S \* 5/2016 Donckerwolke ..... D12/195  
D761,176 S \* 7/2016 Sandys ..... D12/195

(Continued)

**OTHER PUBLICATIONS**

New 2021 Polestar 2 to Compete with Tesla's Model 3, News.  
Yahoo.com, Feb. 28, 2019, [online], [site visited Jul. 7, 2020]. <  
URL: <https://news.yahoo.com/2021-polestar-2-compete-teslas-model-3-193207290.html>> (Year: 2019).\*

(Continued)

*Primary Examiner* — T Chase Nelson

*Assistant Examiner* — Jonathan J. Han

(74) *Attorney, Agent, or Firm* — Berenato & White, LLC

(57) **CLAIM**

The ornamental design for a vehicle inner door panel, as shown.

**DESCRIPTION**

FIG. 1 is a front view of a vehicle inner door panel showing our new design;

FIG. 2 is a left perspective view thereof;

FIG. 3 is a right side view thereof;

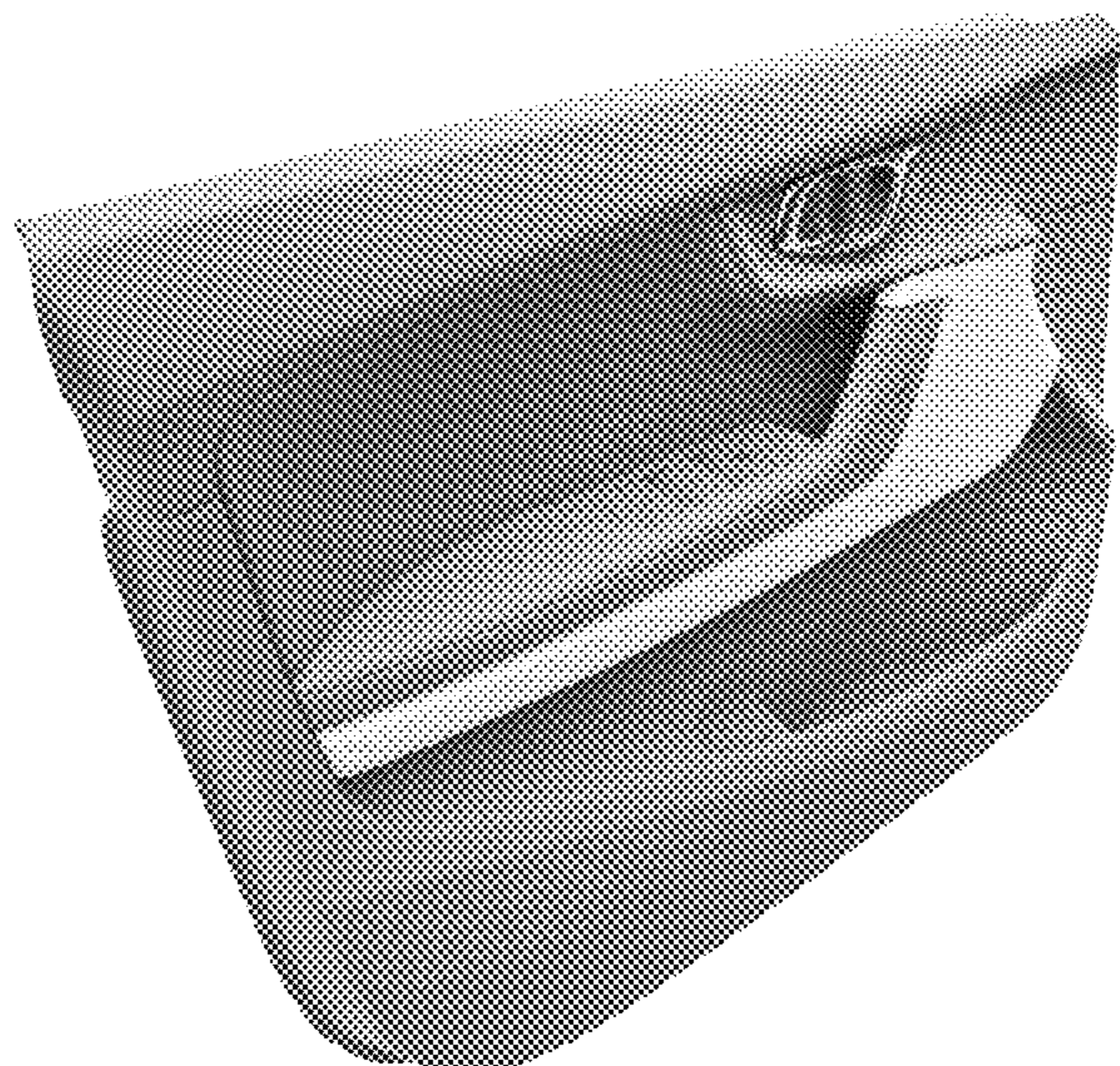
FIG. 4 is a left side view thereof;

FIG. 5 is a left rear perspective view thereof;

FIG. 6 is a rear view thereof; and,

FIG. 7 is a top view thereof.

**1 Claim, 7 Drawing Sheets**



(56)

**References Cited**

U.S. PATENT DOCUMENTS

D768,042	S	*	10/2016	Lee	.....	D12/195
D801,899	S	*	11/2017	Watkin	.....	D12/195
D819,534	S	*	6/2018	Buffery	.....	D12/195
D820,754	S	*	6/2018	Buffery	.....	D12/195
D823,208	S	*	7/2018	Boyes	.....	D12/195
D823,760	S	*	7/2018	Sato	.....	D12/195
D829,146	S	*	9/2018	Takagi	.....	D12/196
D831,552	S	*	10/2018	Watkin	.....	D12/195
D835,555	S	*	12/2018	Ray	.....	D12/195
D835,556	S	*	12/2018	Ray	.....	D12/195
D839,160	S	*	1/2019	Kasano	.....	D12/195
D852,102	S	*	6/2019	Webber	.....	D12/192
D853,921	S	*	7/2019	Buffery	.....	D12/195
D853,923	S	*	7/2019	Peat	.....	D12/195
D878,267	S	*	3/2020	Yu	.....	D12/196
D880,386	S	*	4/2020	Nakao	.....	D12/195

OTHER PUBLICATIONS

This is Polestar 1: Volvo's disruptive performance EV, SlashGear.com, Vincent Nguyen—Oct. 17, 2017, 6:13 am CDT, [online], [site visited Jul. 7, 2020]. <URL: <https://www.slashgear.com/this-is-polestar-1-volvos-disruptive-performance-ev-17504267/>> (Year: 2017).\*

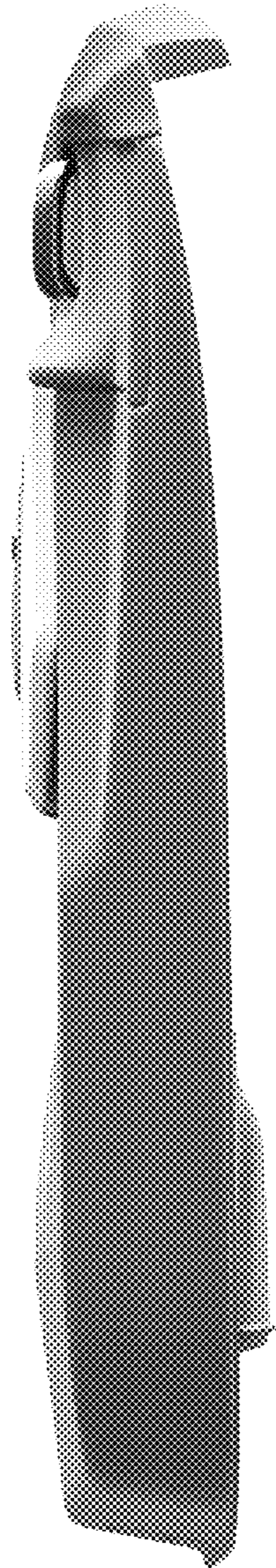
\* cited by examiner



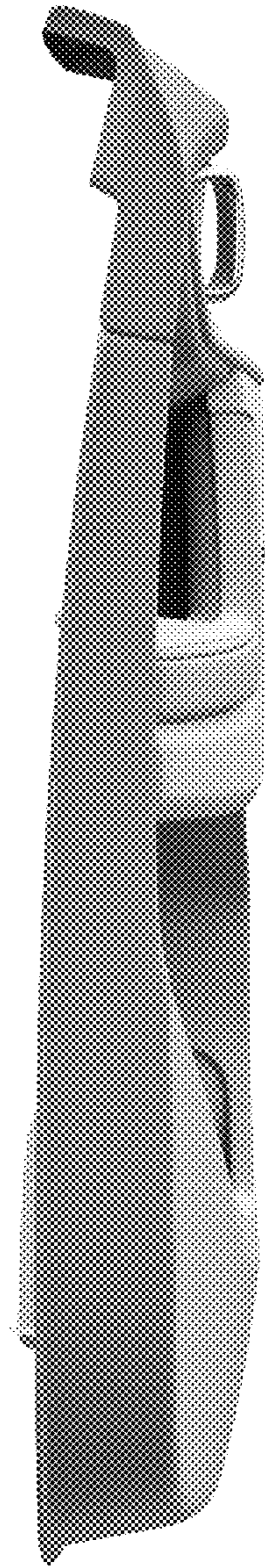
**Fig. 1**



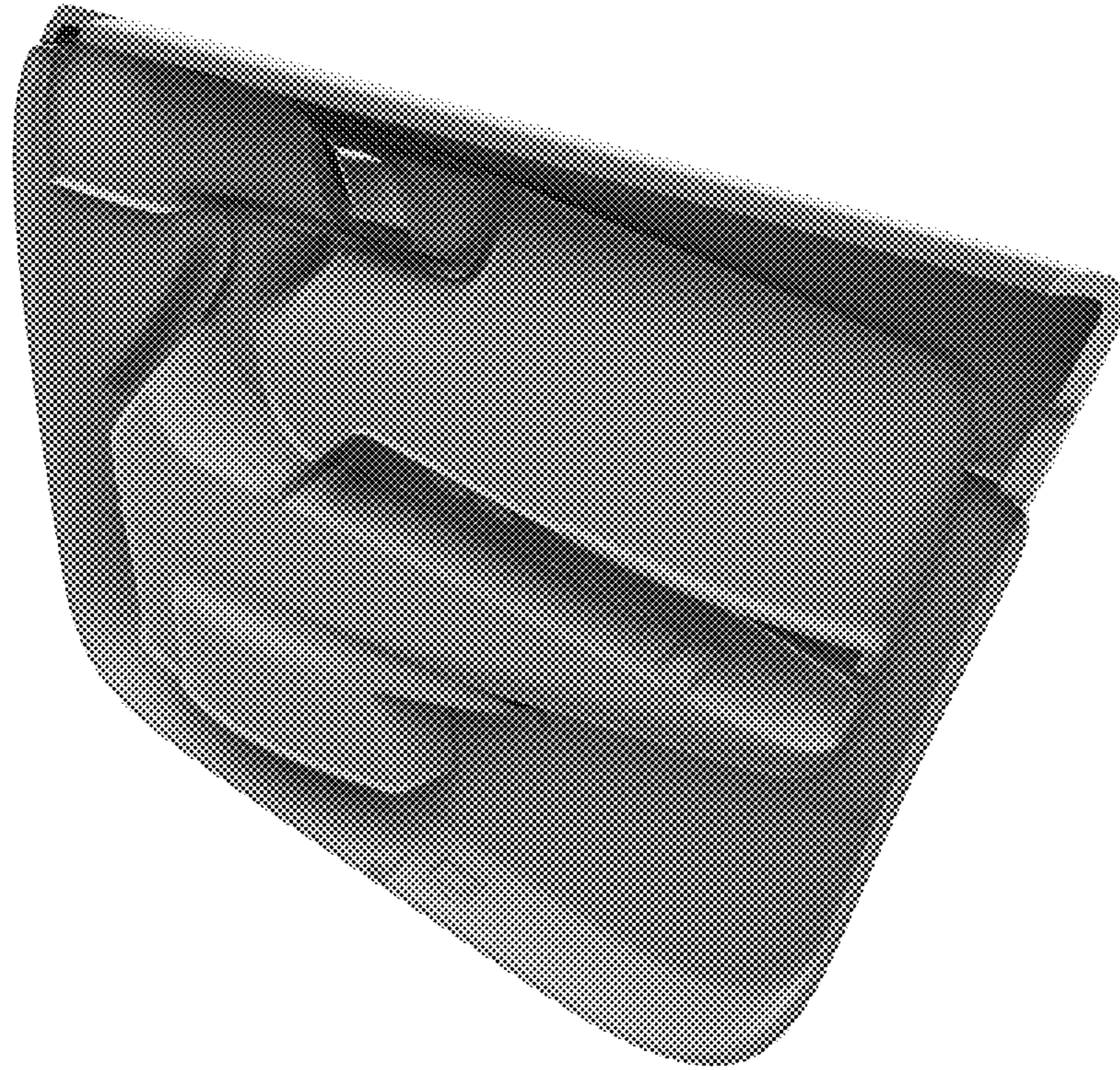
**Fig. 2**



**Fig. 3**



**Fig. 4**

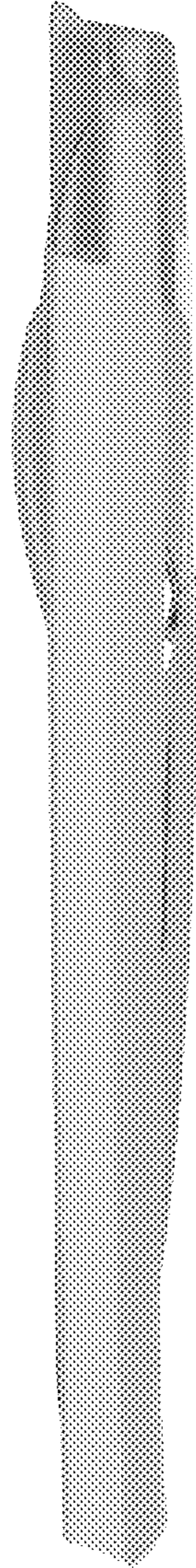


**Fig. 5**



Fig. 6





**Fig. 7**