



US00D899986S

(12) **United States Design Patent** (10) **Patent No.:** **US D899,986 S**
Lamanna (45) **Date of Patent:** **** Oct. 27, 2020**

(54) **REAR OF A BUS**
(71) Applicant: **Newtl**, Duppigheim (FR)
(72) Inventor: **M. Franck Lamanna**, Marlenheim (FR)
(73) Assignee: **NEWTL**, Duppigheim (FR)
(**) Term: **15 Years**
(21) Appl. No.: **29/689,707**
(22) Filed: **May 1, 2019**

D305,623 S 1/1990 Gallitzendoerfer et al.
4,964,671 A * 10/1990 Millar B60N 2/242
296/178
D345,120 S 3/1994 Normand, Jr. et al.
D376,562 S 12/1996 Sealy et al.
5,669,307 A 9/1997 Cichy
D442,888 S 5/2001 Papke et al.
D503,126 S 3/2005 Papke et al.
D531,933 S 11/2006 Delamour
D537,755 S 3/2007 Toth
D557,648 S * 12/2007 Rice, Jr. D12/195
7,419,214 B2 * 9/2008 Plant B60N 2/34
244/118.6
D617,236 S 6/2010 Counts
D628,133 S * 11/2010 Counts D12/195
D637,520 S 5/2011 Kerr et al.
D642,092 S 7/2011 Wiens et al.

(Continued)

Related U.S. Application Data

(62) Division of application No. 29/616,049, filed on Sep. 1, 2017, now Pat. No. Des. 861,537.

Foreign Application Priority Data

(30) Mar. 2, 2017 (WO) DM/097494
(51) **LOC (12) Cl.** **12-08**
(52) **U.S. Cl.**
USPC **D12/195**; D12/84
(58) **Field of Classification Search**
USPC D12/82, 84, 86, 92, 100, 195
CPC B62D 23/00; B62D 25/00; B62D 31/02;
B62D 31/04; B62D 53/062; B62D 65/00;
B60G 2202/152; B60G 2300/14; B60P
3/007; B21D 53/88
See application file for complete search history.

References Cited

(56) **U.S. PATENT DOCUMENTS**
D248,033 S 5/1978 James et al.
D254,609 S 4/1980 Neal et al.
D255,340 S 6/1980 Flesche
D257,141 S 9/1980 Flesche
D268,997 S 5/1983 Dubernard
D302,802 S 8/1989 Manning

OTHER PUBLICATIONS

Design U.S. Appl. No. 29/624,451, filed Nov. 1, 2017 in the name of Newtl.

Primary Examiner — Darlington Ly
(74) *Attorney, Agent, or Firm* — Carter, Deluca & Farrell LLP

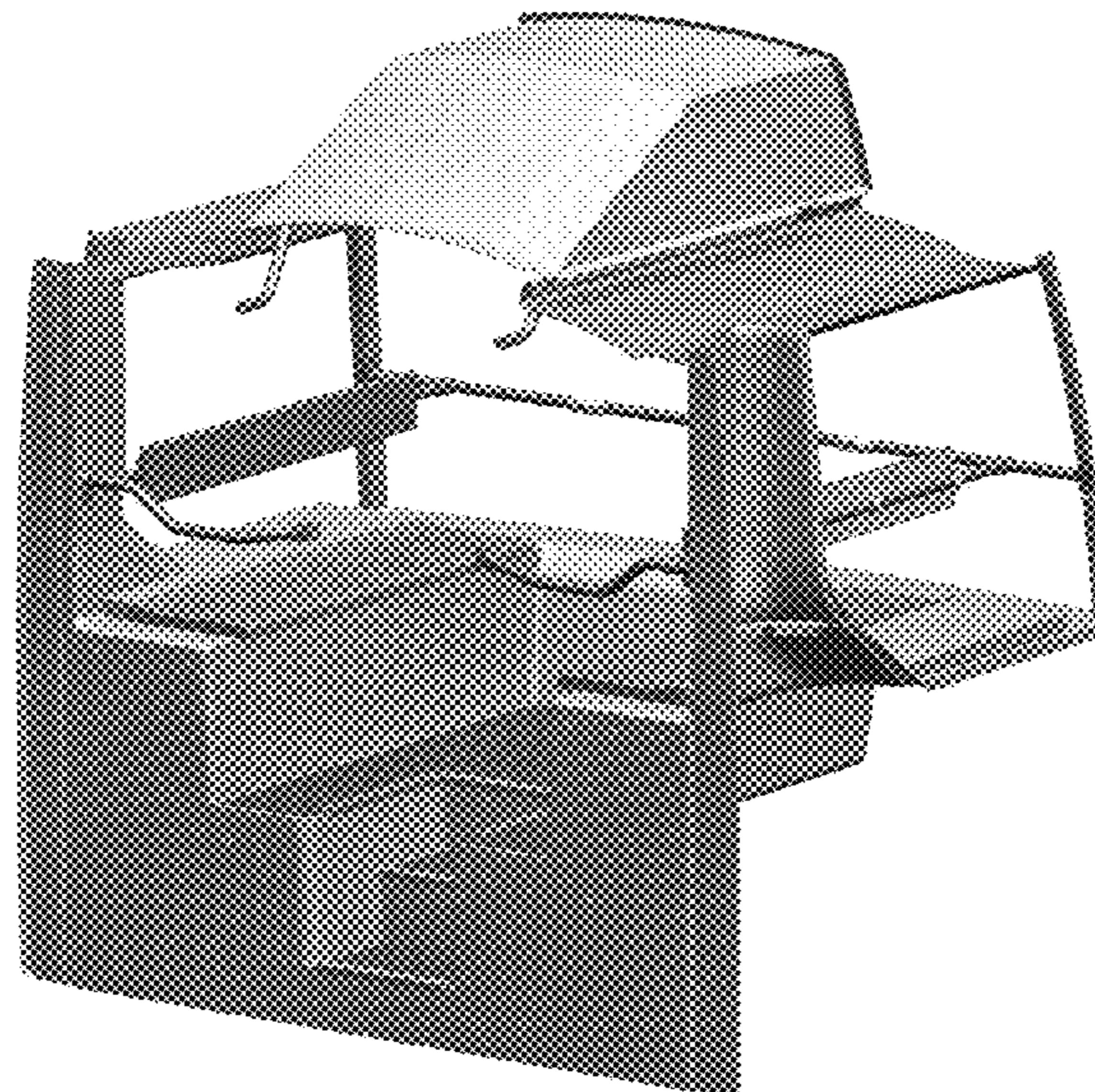
(57) **CLAIM**

The ornamental design for a rear of a bus, as shown and described.

DESCRIPTION

FIG. 1 is a front perspective detailed view of the rear of the bus in accordance with the present design;
FIG. 2 is an alternate perspective view thereof;
FIG. 3 is a front elevational view thereof;
FIG. 4 is a left side elevational thereof;
FIG. 5 is a right side elevational view thereof;
FIG. 6 is a top plan view thereof; and,
FIG. 7 is a bottom plan view thereof.

1 Claim, 7 Drawing Sheets



(56)

References Cited

U.S. PATENT DOCUMENTS

8,284,327 B2 * 10/2012 Counts B60N 2/01
348/739
D704,595 S 5/2014 Streicher et al.
D714,187 S 9/2014 Lian et al.
D717,210 S 11/2014 Wang et al.
D718,659 S 12/2014 Lin et al.
D721,297 S 1/2015 Zhang et al.
D721,298 S 1/2015 Li et al.
D818,921 S * 5/2018 Pelletier D12/195
10,059,383 B2 * 8/2018 Pelletier A61G 3/0808
D830,712 S * 10/2018 Goode D6/356
10,124,895 B2 * 11/2018 Simeon B64D 11/0606
D842,785 S * 3/2019 Balicki D12/195
D849,625 S * 5/2019 Yamamoto D12/195
D878,245 S * 3/2020 Lamanna D12/84
D883,857 S * 5/2020 Lamanna D12/84
2009/0224570 A1 9/2009 Haswell et al.
2012/0161469 A1 6/2012 Kerr et al.

* cited by examiner

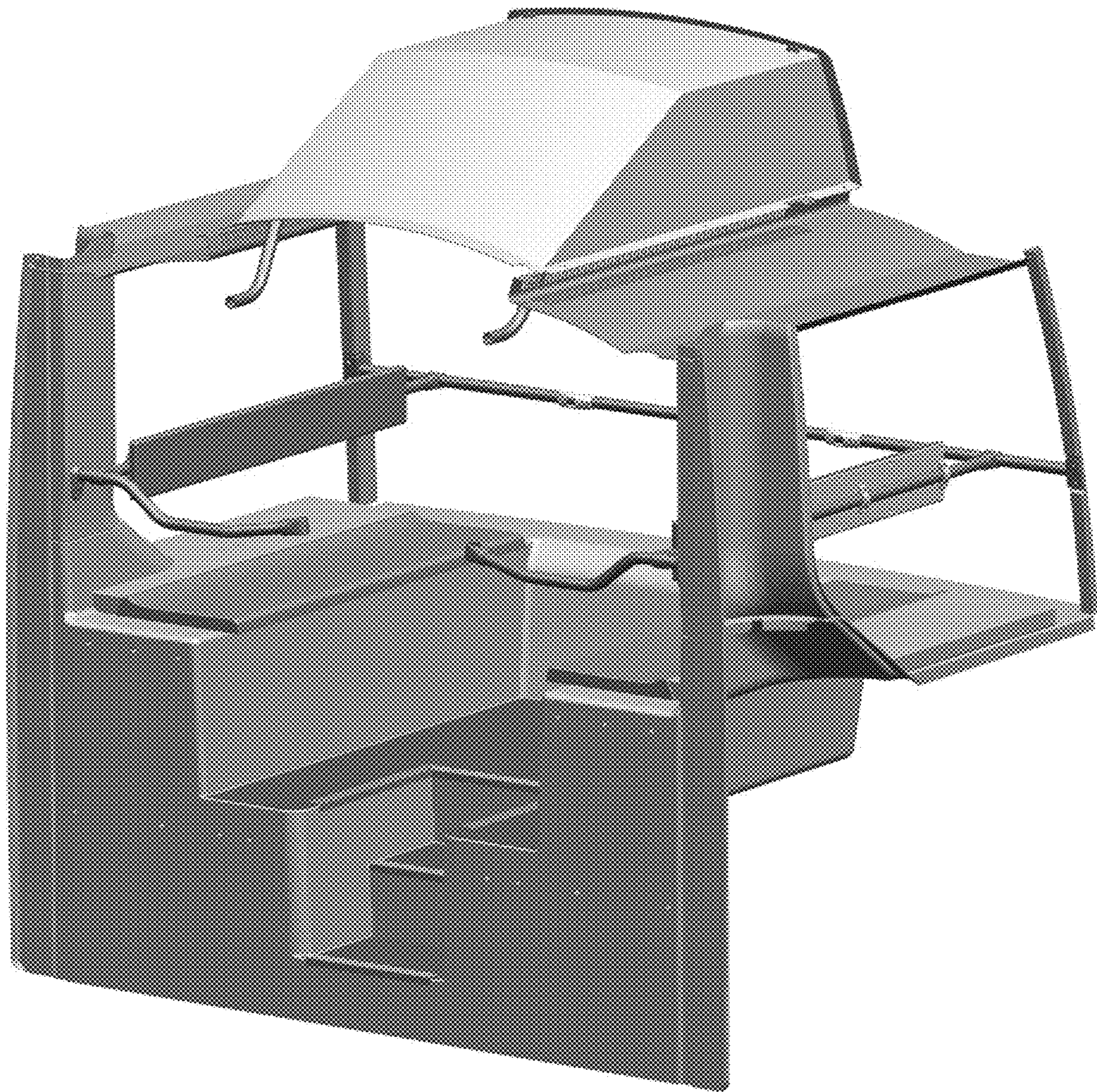


FIG. 1

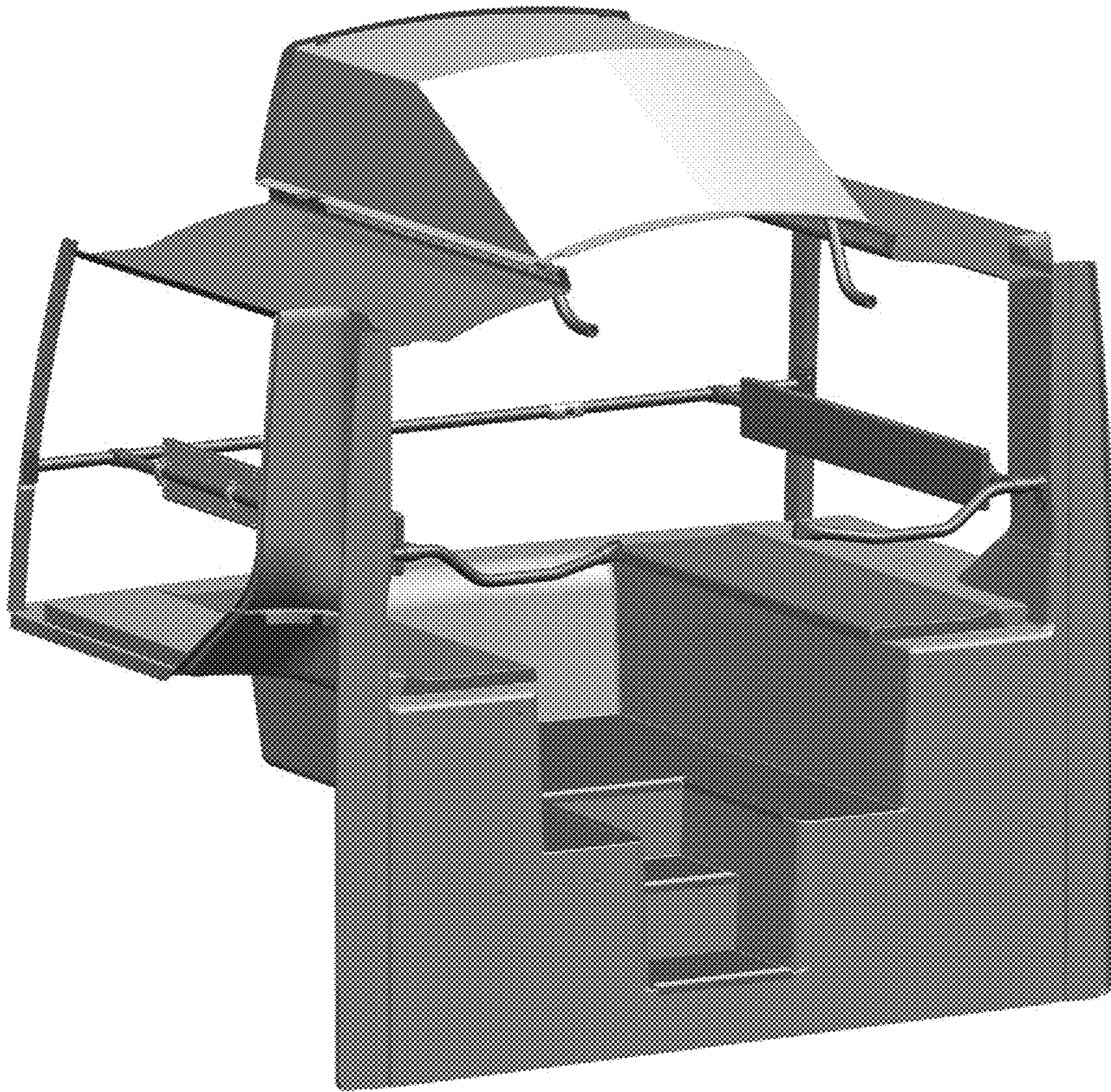


FIG. 2

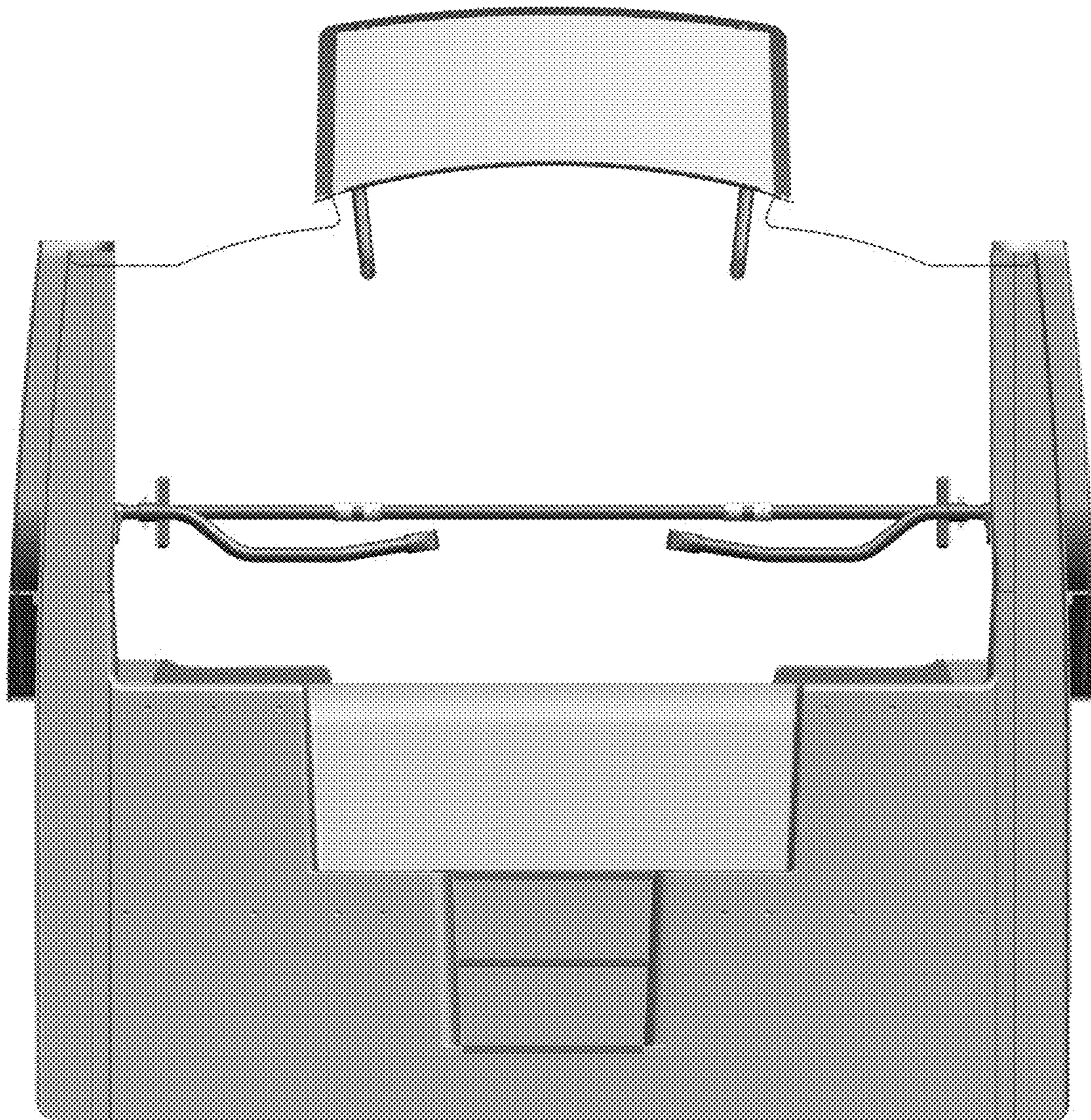


FIG. 3

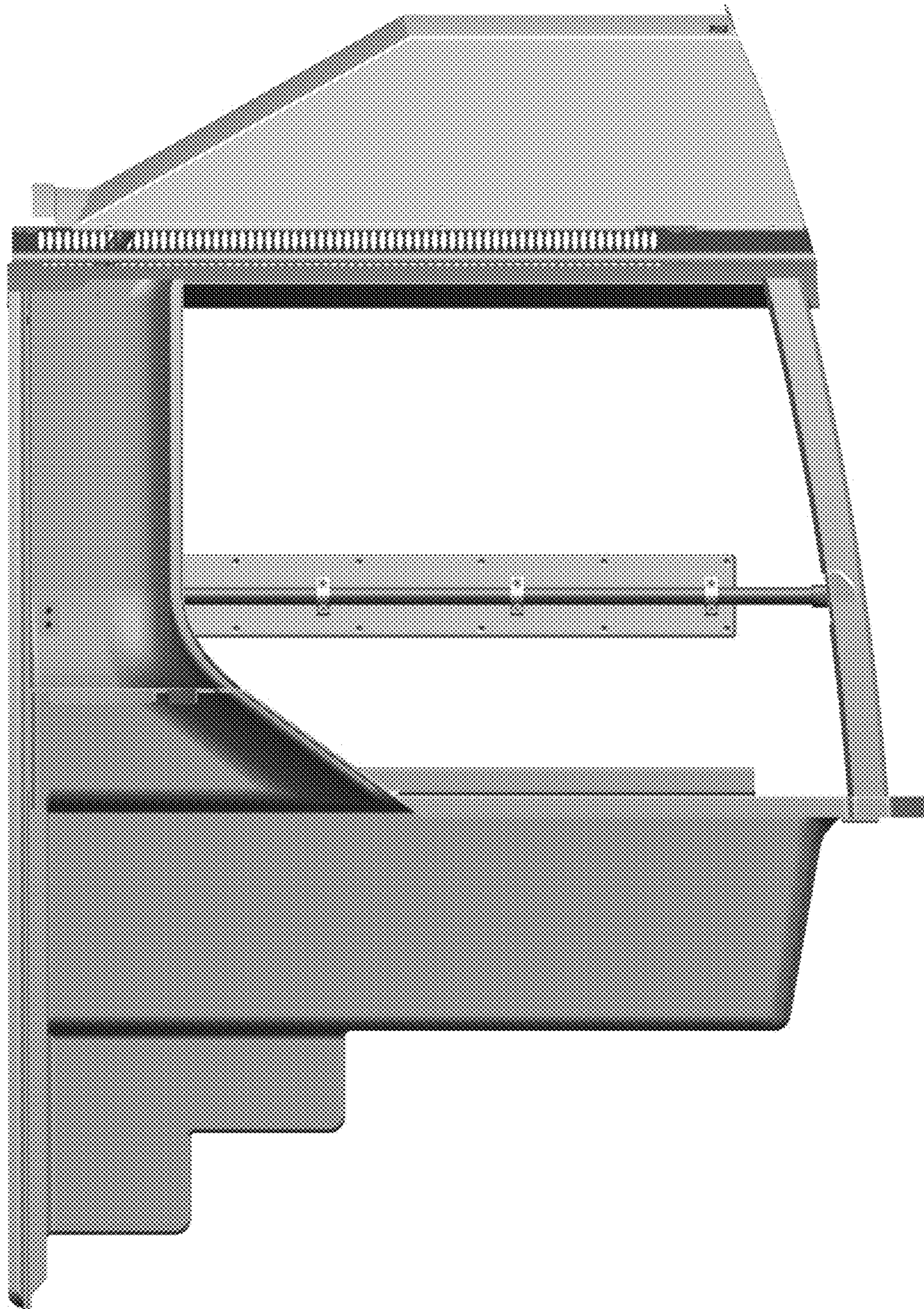


FIG. 4

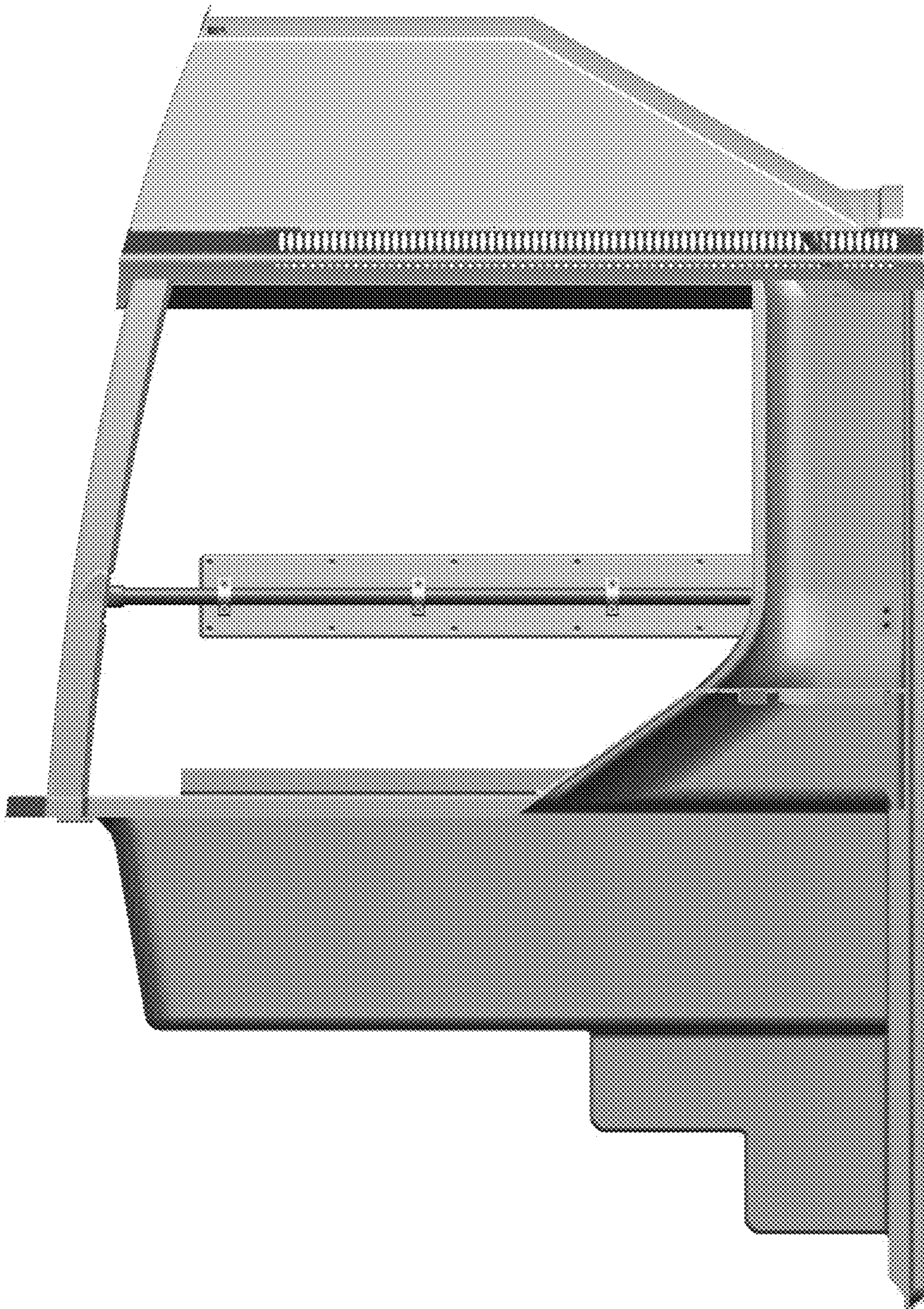


FIG. 5

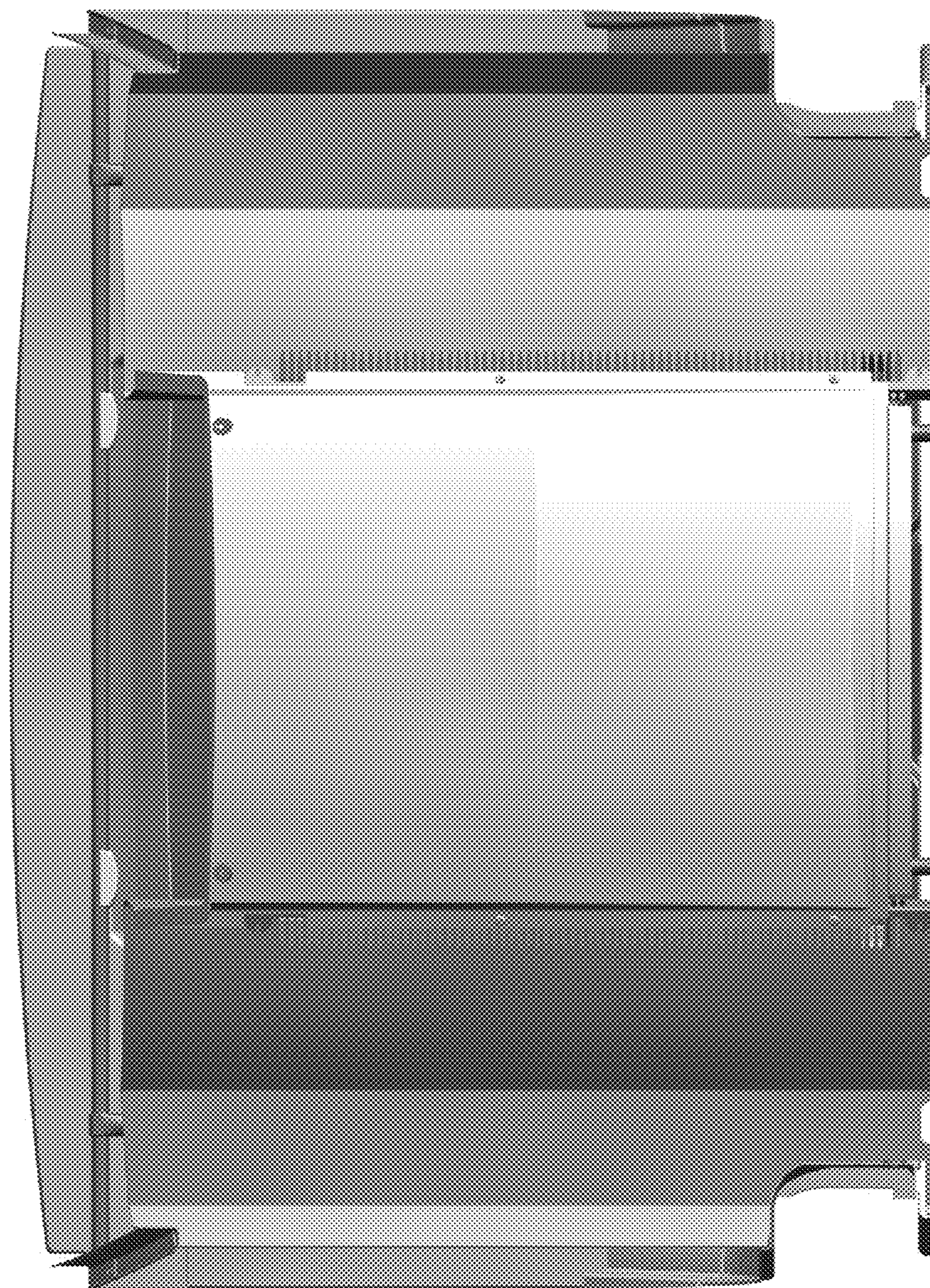


FIG. 6

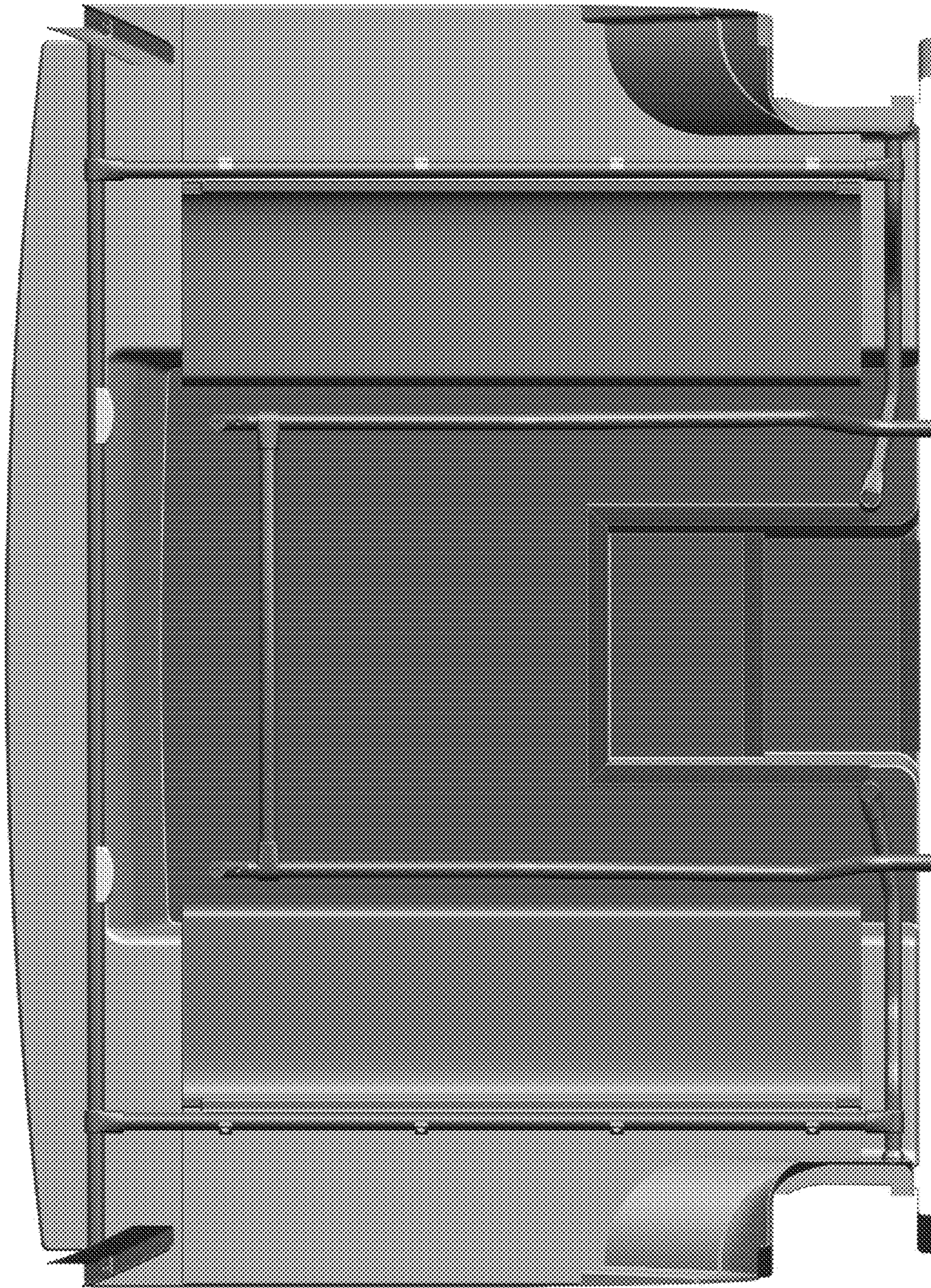


FIG. 7