



US00D899985S

(12) **United States Design Patent**
Choi et al.

(10) **Patent No.:** **US D899,985 S**

(45) **Date of Patent:** **** Oct. 27, 2020**

(54) **VEHICLE INSTRUMENT CLUSTER**

(71) Applicant: **HYUNDAI MOBIS CO., LTD.**, Seoul (KR)

(72) Inventors: **Jong Wan Choi**, Yongin-si (KR);
Hyung Soo Kim, Yongin-si (KR)

(73) Assignee: **Hyundai Mobis Co., Ltd.**, Seoul (KR)

(**) Term: **15 Years**

(21) Appl. No.: **29/687,753**

(22) Filed: **Apr. 15, 2019**

(30) **Foreign Application Priority Data**

Oct. 16, 2018 (KR) 30-2018-0047385

(51) **LOC (12) Cl.** **12-16**

(52) **U.S. Cl.**
USPC **D12/192**

(58) **Field of Classification Search**
USPC D12/192, 415, 114, 345; D15/17, 28;
D23/324; D10/46, 98, 102-103, 122-127
CPC B60H 1/34; B60H 1/3407; B60H 1/3414;
B60H 1/3421; B60H 1/3428; B60H
1/3435; B60H 1/3442; B60H 1/345;
B60H 1/3457; B60H 2001/3464; B60H
2001/3471; B60H 2001/3478; B60H
2001/3485

See application file for complete search history.

(56) **References Cited**

U.S. PATENT DOCUMENTS

D73,347 S * 8/1927 Smith D12/192
D74,057 S * 12/1927 Knapp D12/192
D77,236 S * 12/1928 Jacobi D12/192
D390,524 S * 2/1998 DeLine D12/187
D391,214 S * 2/1998 Hook D12/187
D451,869 S * 12/2001 Knapp D12/187
D458,568 S * 6/2002 Hook D12/187

D470,089 S * 2/2003 Hook D12/187
D480,341 S * 10/2003 Day D12/192
D489,661 S * 5/2004 McPeck D12/192
D493,131 S * 7/2004 Lawlor D12/187
D493,394 S * 7/2004 Lawlor D12/187
D502,907 S * 3/2005 Chao D12/192

(Continued)

FOREIGN PATENT DOCUMENTS

IN 259745-0001 * 1/2014

OTHER PUBLICATIONS

Full-on digital. All-out modern., WoodallHyundai.com, [online], [site visited Jun. 23, 2020]. <URL: https://www.woodallhyundai.com/2020-hyundai-palisade> (Year: 2020).*

(Continued)

Primary Examiner — T Chase Nelson

Assistant Examiner — Jonathan J. Han

(74) *Attorney, Agent, or Firm* — H.C. Park & Associates

(57) **CLAIM**

The ornamental design for a vehicle instrument cluster, as shown and described herein.

DESCRIPTION

FIG. 1 is a perspective view of a vehicle instrument cluster showing a new design.

FIG. 2 is a front view thereof.

FIG. 3 is a rear view thereof.

FIG. 4 is a left side view thereof.

FIG. 5 is a right side view thereof.

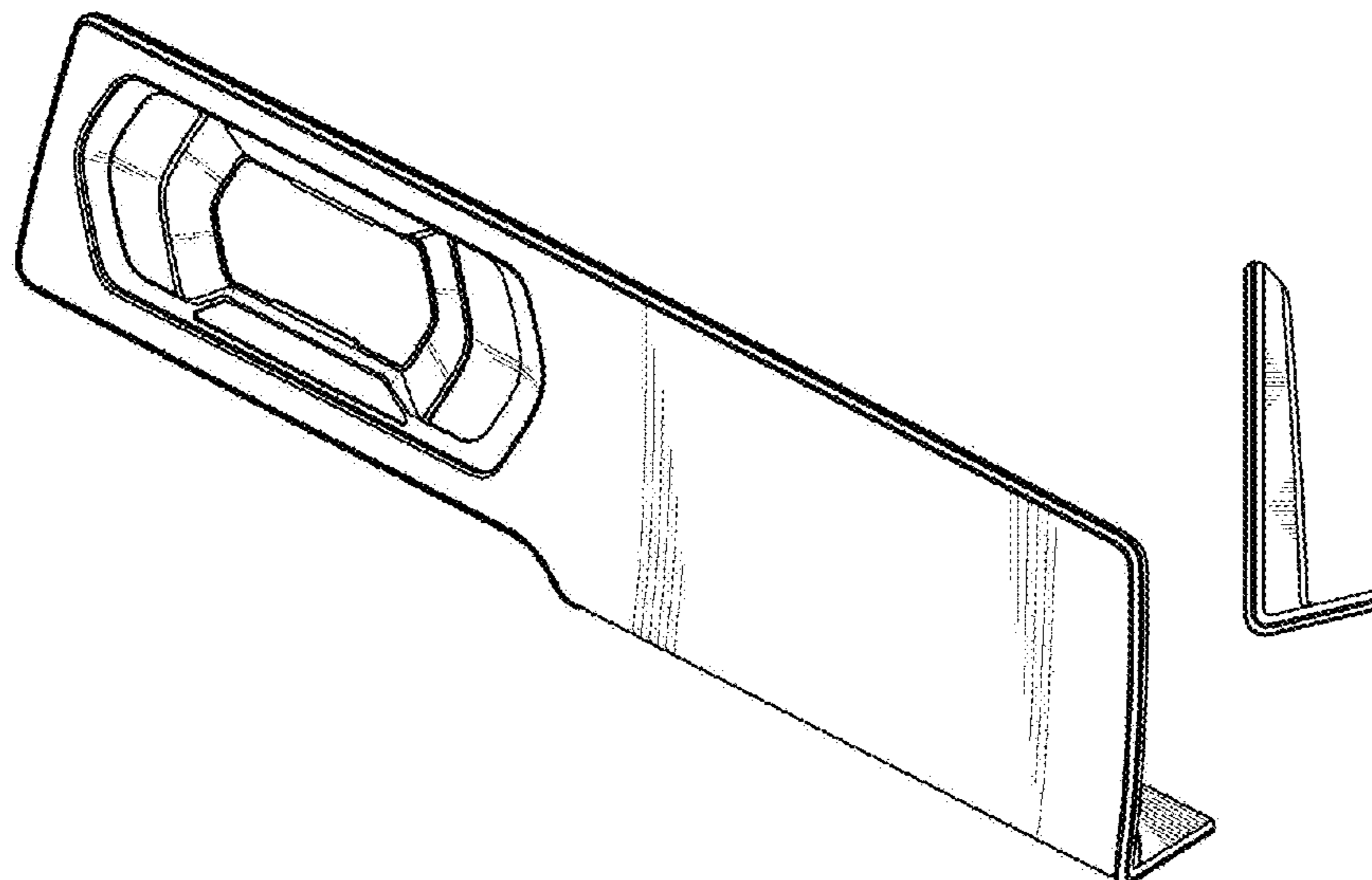
FIG. 6 is a top plan view thereof.

FIG. 7 is a bottom plan view thereof; and,

FIG. 8 is a perspective view of the vehicle instrument cluster installed behind a steering wheel.

The broken lines in FIG. 8 are used to illustrate environmental features that form no part of the claimed design.

1 Claim, 8 Drawing Sheets



(56)

References Cited

U.S. PATENT DOCUMENTS

D504,093 S * 4/2005 Chao D12/192
 D504,094 S * 4/2005 Chao D12/192
 D504,371 S * 4/2005 Chao D12/192
 D504,643 S * 5/2005 Chao D12/192
 D504,644 S * 5/2005 Chao D12/192
 D504,645 S * 5/2005 Chao D12/192
 D504,855 S * 5/2005 Chao D12/192
 D504,856 S * 5/2005 Chao D12/192
 D573,517 S * 7/2008 Day D12/192
 D573,518 S * 7/2008 Day D12/192
 D573,519 S * 7/2008 Day D12/192
 D593,012 S * 5/2009 Day D12/192
 D593,469 S * 6/2009 Day D12/192
 D673,487 S * 1/2013 Hanson D12/192
 D705,146 S * 5/2014 Takagi D12/192
 D730,947 S * 6/2015 Fukuchi D15/28
 D737,187 S * 8/2015 Oosuda D12/192
 D755,689 S * 5/2016 Suesse D12/187
 D777,631 S * 1/2017 Webb D12/192
 D779,405 S * 2/2017 Arceo D12/192
 D780,079 S * 2/2017 Webb D12/192
 D780,080 S * 2/2017 Ding D12/192
 D784,227 S * 4/2017 Salome D12/192
 D791,660 S * 7/2017 Arceo D12/192
 D802,504 S * 11/2017 Weng D12/192
 D809,967 S * 2/2018 Lampkin D12/16
 D813,770 S * 3/2018 Einakian D12/192
 D837,118 S * 1/2019 Takada D12/192
 D862,333 S * 10/2019 Song D12/187
 D877,013 S * 3/2020 Kim D12/192
 D885,278 S * 5/2020 Jeon D12/192

10,670,894 B2 * 6/2020 Lee G02F 1/133305
 2004/0056502 A1 * 3/2004 Jennings B60K 37/02
 296/70
 2006/0083001 A1 * 4/2006 Fong G01D 11/28
 362/317
 2007/0139905 A1 * 6/2007 Birman G02B 6/0028
 362/23.07
 2018/0022215 A1 * 1/2018 Tomaru B60K 37/02
 362/23.14

OTHER PUBLICATIONS

Indian 2020 Hyundai Creta vs. Chinese 2020 Hyundai Creta—5 biggest omissions, IndianAutosBlog.com, Mar. 19, 2020—16:46, Sagar Parikh, [online], [site visited Jun. 23, 2020]. <URL: <https://indianautosblog.com/indian-2020-hyundai-creta-vs-chinese-2020-hyundai-creta-5-biggest-omissions-p320074>> (Year: 2020).*

Design of an Instrument Cluster for an Electric Car, Medium.com, Casper Kessels, Jan. 28, 2018, [online], [site visited Jun. 23, 2020]. <URL: <https://medium.com/@casperkessels/design-of-an-instrument-cluster-for-an-electric-car-f73826d5c903>> (Year: 2018).*

Rightware announces Kanzi instrument cluster template, Rightware.com, Jun. 29, 2017, [online], [site visited Jun. 23, 2020]. <URL: <https://www.rightware.com/news/article/kanzi-instrument-cluster-template>> (Year: 2017).*

Genesis gives first look at 3D digital instrument cluster, MotorAuthority.com, Viknesh Vijayenthiran, Oct. 18, 2018, [online], [site visited Jun. 23, 2020]. <URL: https://www.motorauthority.com/news/1119434_genesis-gives-first-look-at-3d-digital-instrument-cluster> (Year: 2018).*

* cited by examiner

FIG. 1

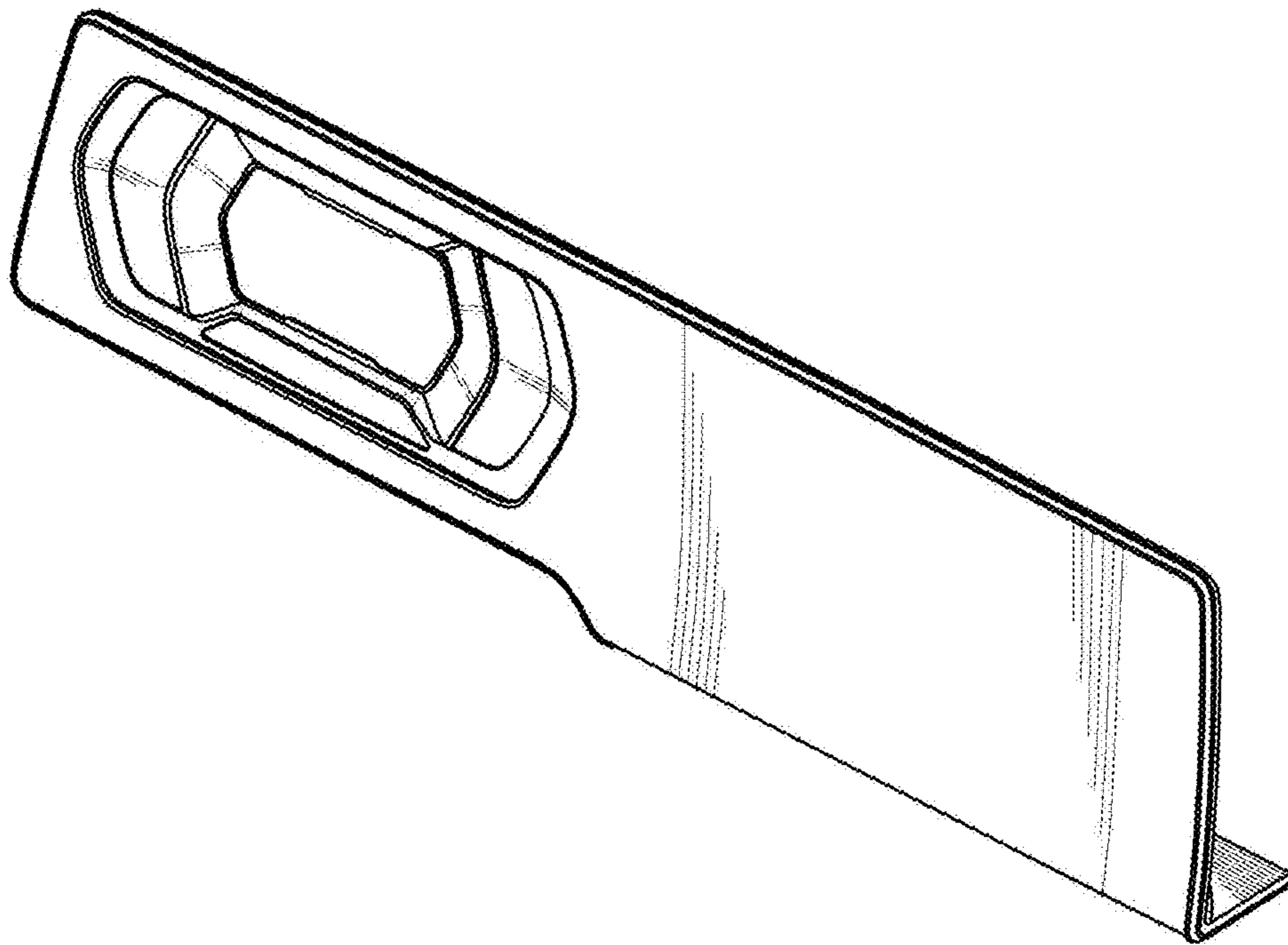


FIG. 2

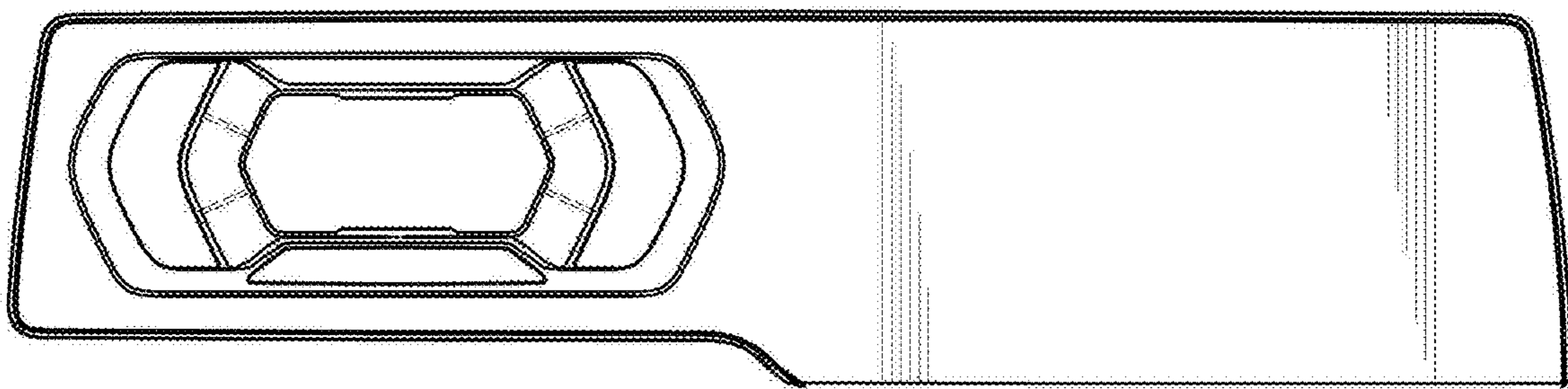


FIG. 3

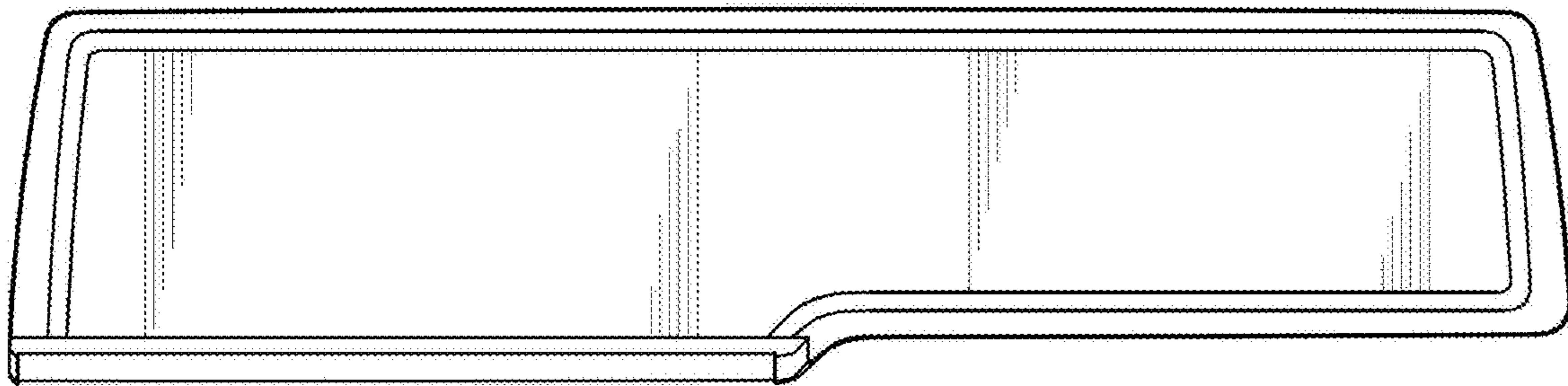


FIG. 4

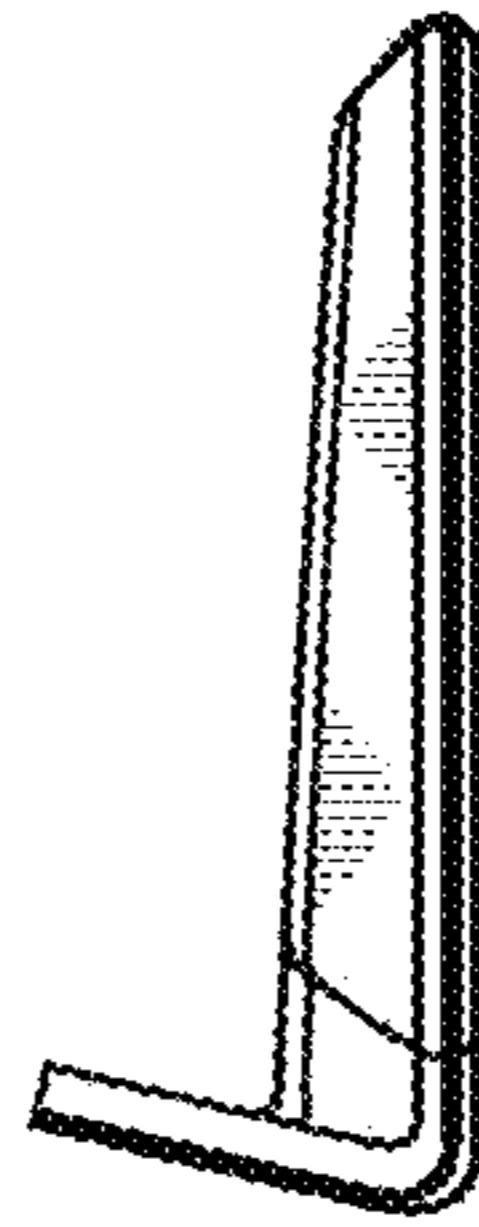


FIG. 5

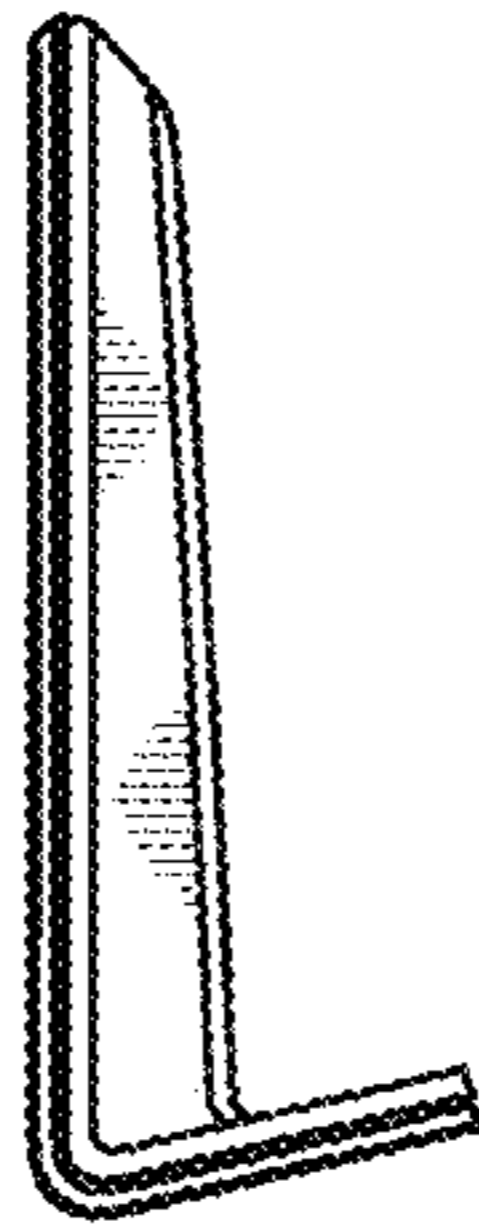


FIG. 6

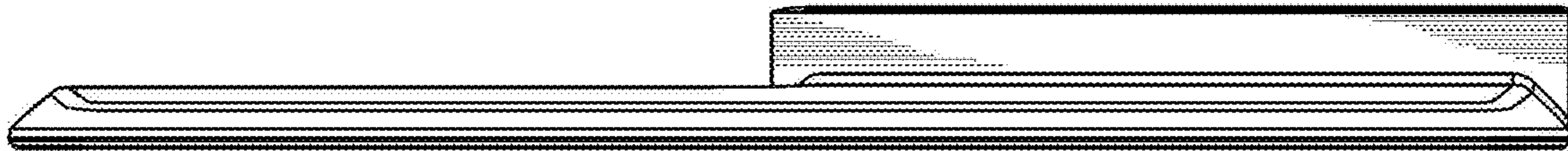


FIG. 7

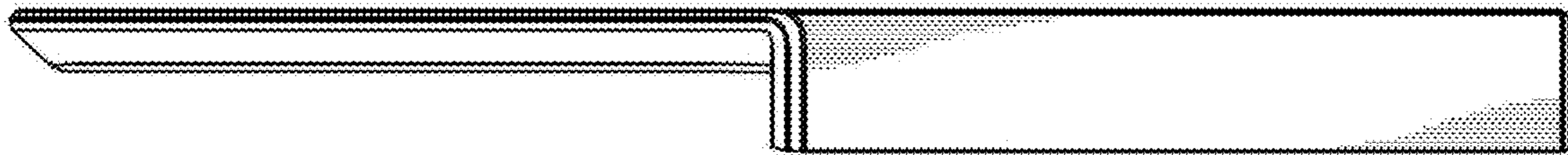


FIG. 8

