



US00D899984S

(12) **United States Design Patent** (10) **Patent No.:** **US D899,984 S**
Gregory (45) **Date of Patent:** **** Oct. 27, 2020**

(54) **AUTOMOBILE**
(71) Applicant: **Bentley Motors Limited**, Crewe (GB)
(72) Inventor: **John Paul Gregory**, Crewe (GB)
(73) Assignee: **Bentley Motors Limited**, Crewe, Cheshire (GB)
(**) Term: **15 Years**
(21) Appl. No.: **29/638,305**
(22) Filed: **Feb. 26, 2018**

D873,192 S * 1/2020 Smith D12/190
D874,368 S * 2/2020 Smith D12/190
D874,369 S * 2/2020 Donfrancesco D12/190
D882,472 S * 4/2020 Goodrich D12/190
D886,698 S * 6/2020 Goodrich D12/190

* cited by examiner

Primary Examiner — Katrina A Betton
(74) *Attorney, Agent, or Firm* — Schwabe Williamson & Wyatt, P.C.

(30) **Foreign Application Priority Data**

Aug. 25, 2017 (EM) 004164507

(51) **LOC (12) Cl.** **12-16**
(52) **U.S. Cl.**
USPC **D12/190**
(58) **Field of Classification Search**
USPC ... D12/190, 181, 192, 400, 90–92, 196–200,
D12/171, 172, 163, 110, 114
CPC B60S 9/205; B60R 13/005; B60R 13/02
See application file for complete search history.

(56) **References Cited**

U.S. PATENT DOCUMENTS

D316,072 S * 4/1991 Wayne D12/190
D726,080 S * 4/2015 Mays D12/173
D748,548 S * 2/2016 Battams D12/190
D751,013 S * 3/2016 Curic D12/173
D788,659 S * 6/2017 Jelec D12/173
D827,532 S * 9/2018 Maher D12/190
D854,475 S * 7/2019 Grand D12/190

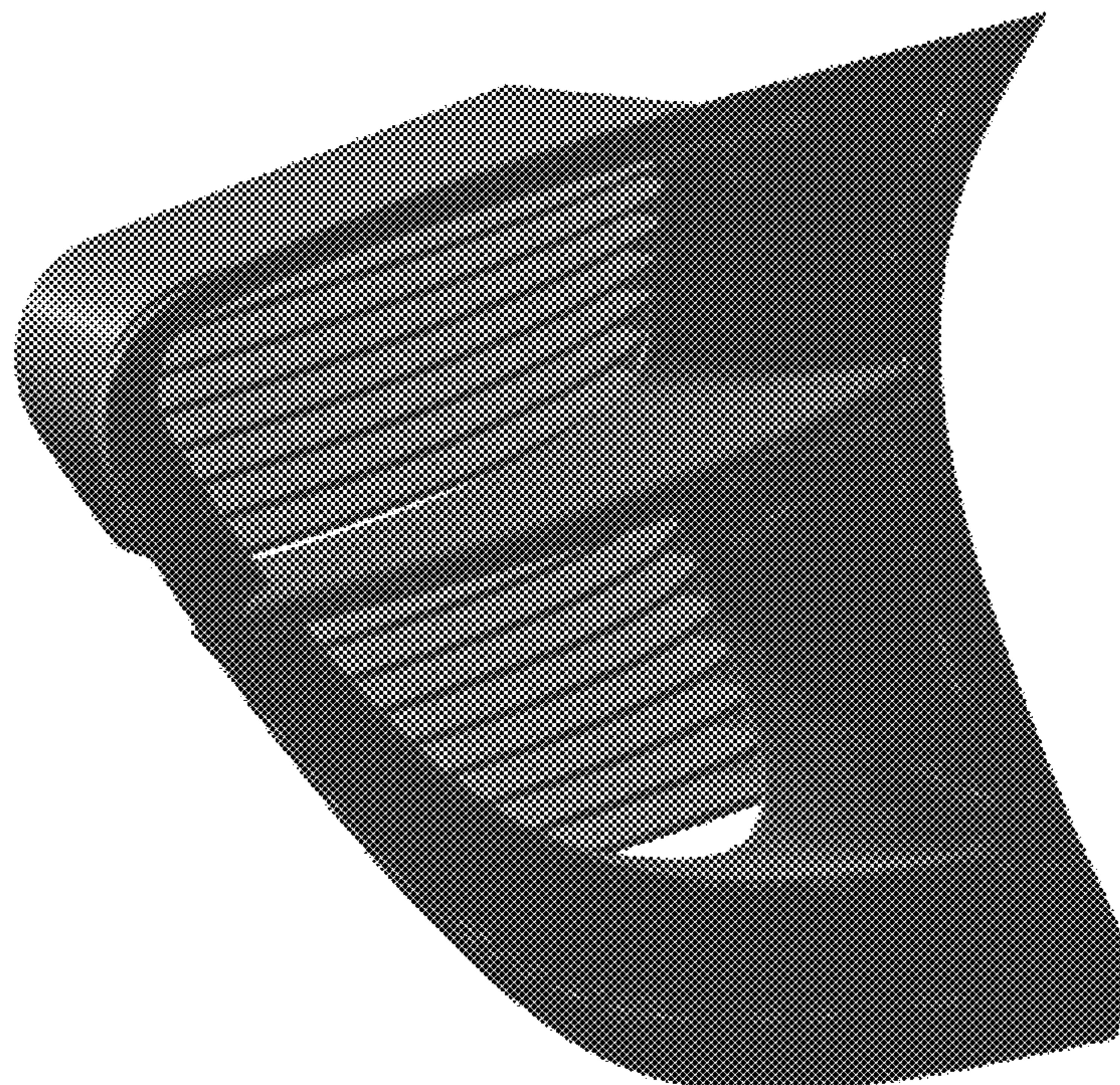
(57) **CLAIM**

I claim the ornamental design for an automobile, as shown and described.

DESCRIPTION

FIG. 1 is a right side view of an automobile, showing my design;
FIG. 2 is an enlarged view of the portion 2 encircled in FIG. 1;
FIG. 3 is a front perspective view of the automobile of FIG. 1;
FIG. 4 is a back perspective view thereof;
FIG. 5 is a front rendering of the claimed region of FIG. 2;
FIG. 6 is a right side perspective view thereof; and,
FIG. 7 is a left side perspective view thereof.
The additional views of the automobile not provided herein do not provide any additional claimed features of the design and thus are not represented. The bold dash-dot-dash broken line circle in FIG. 1 shows the enlarged region encircled in FIG. 2 and forms no part of the claimed design. The remaining broken lines are included for illustrating environmental structure and form no part of the claimed design.

1 Claim, 6 Drawing Sheets



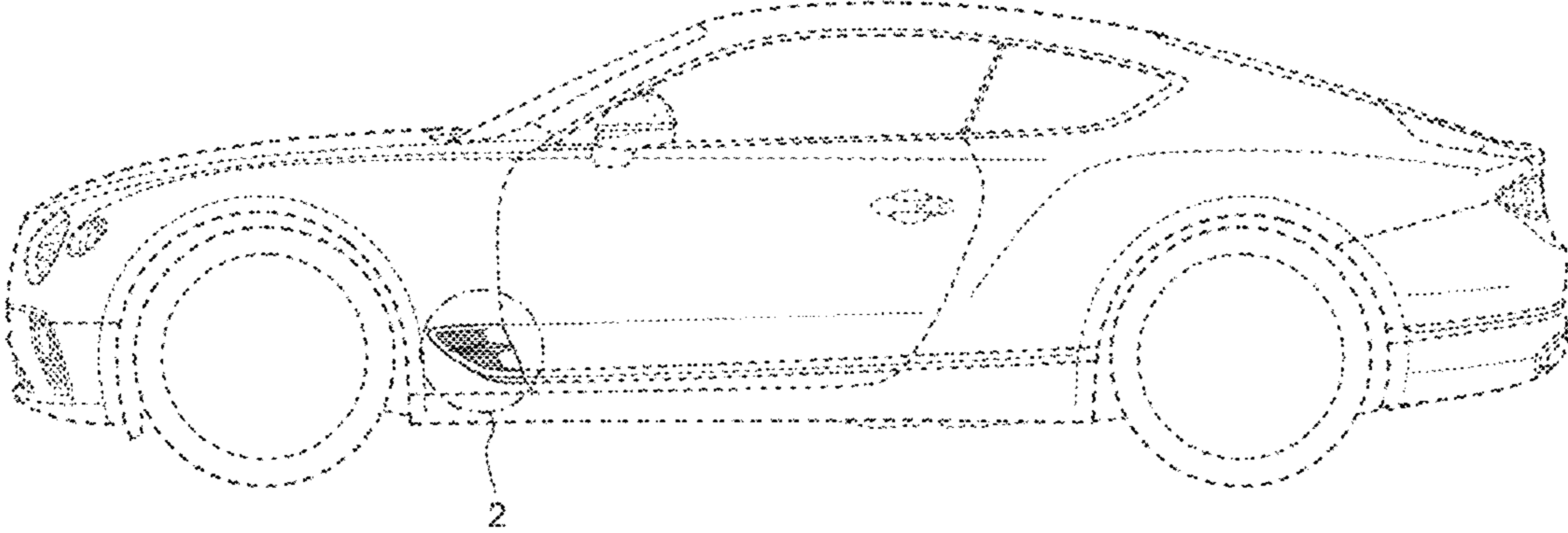


FIG. 1

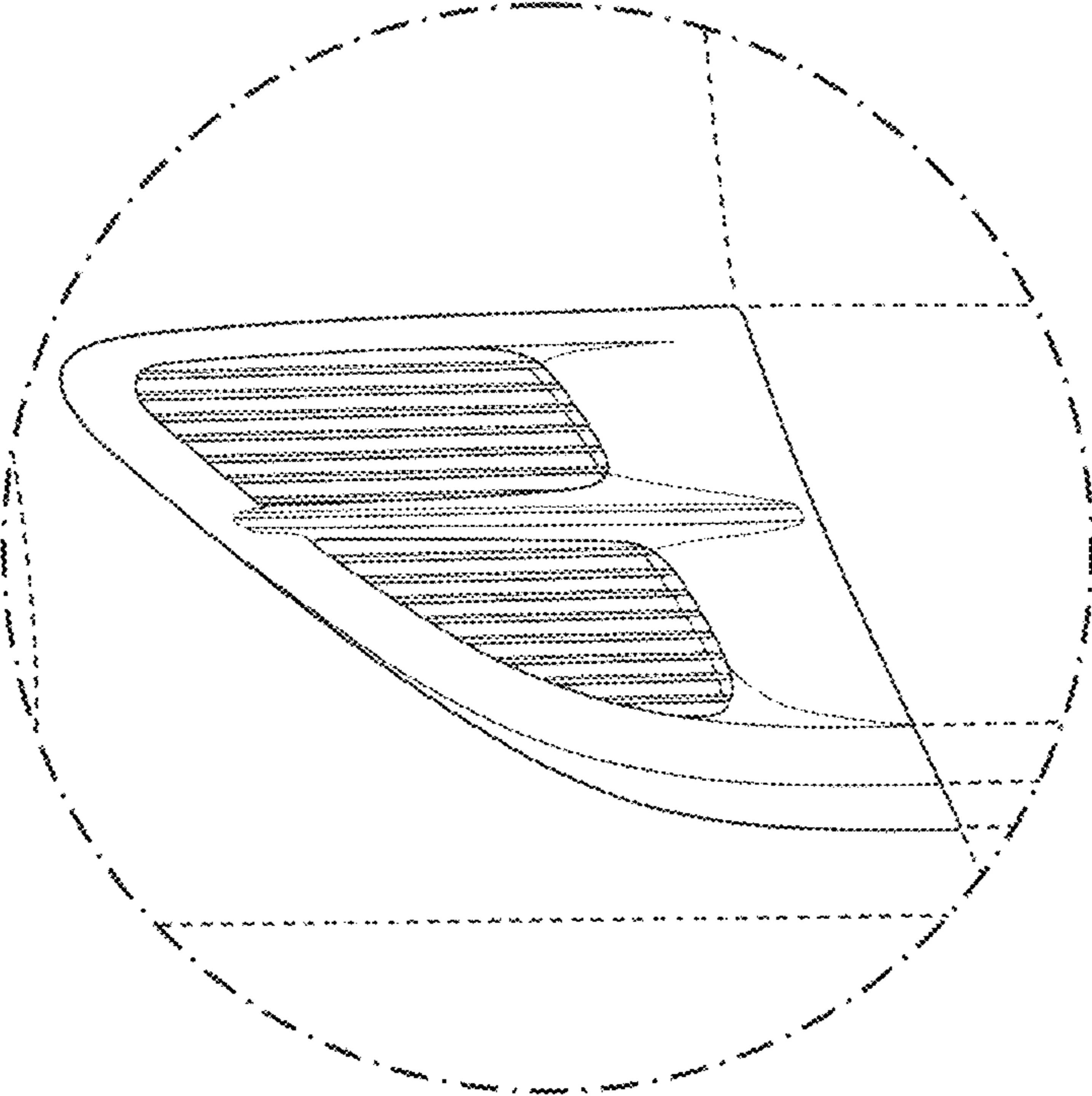


FIG. 2

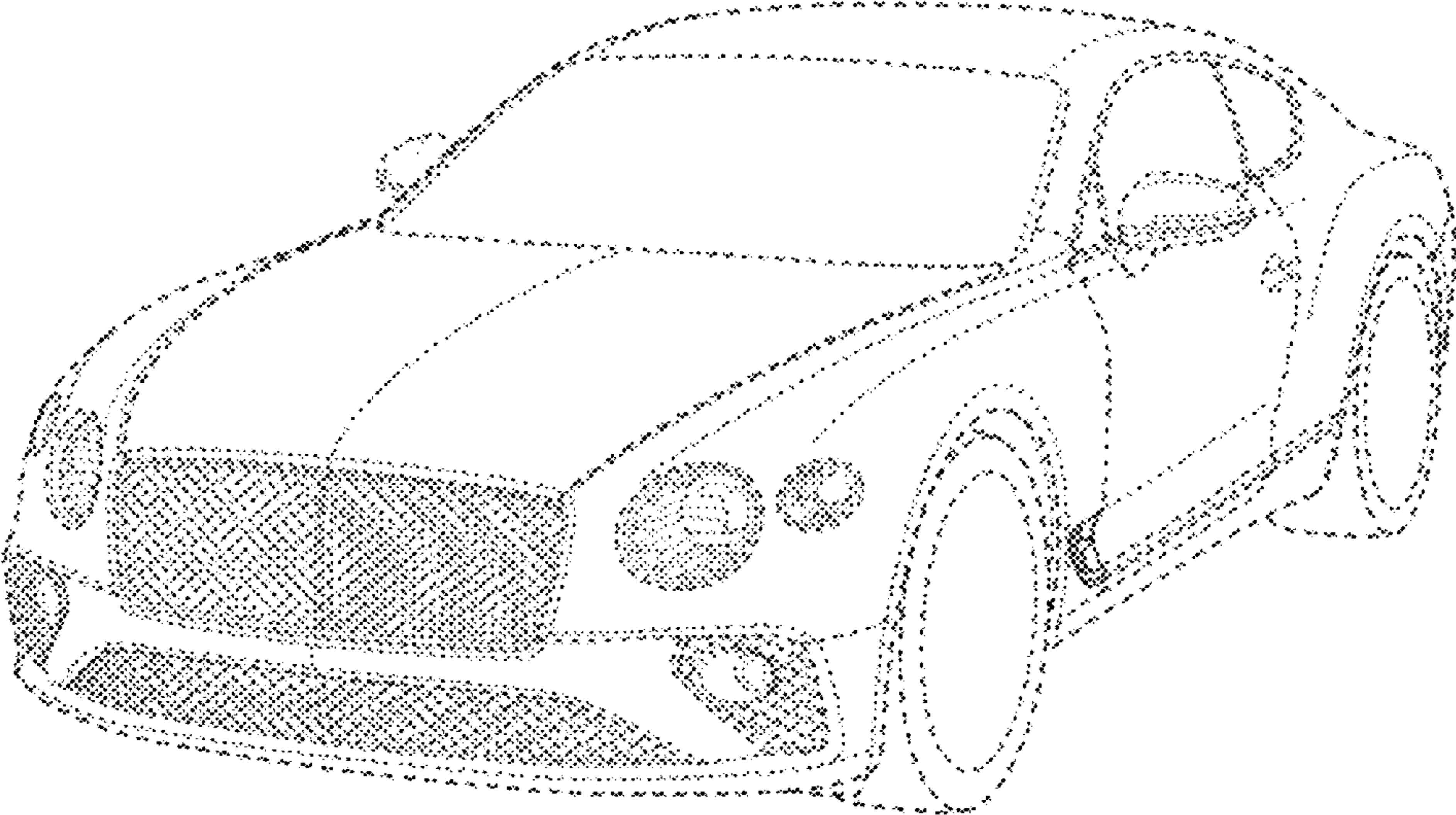


FIG. 3

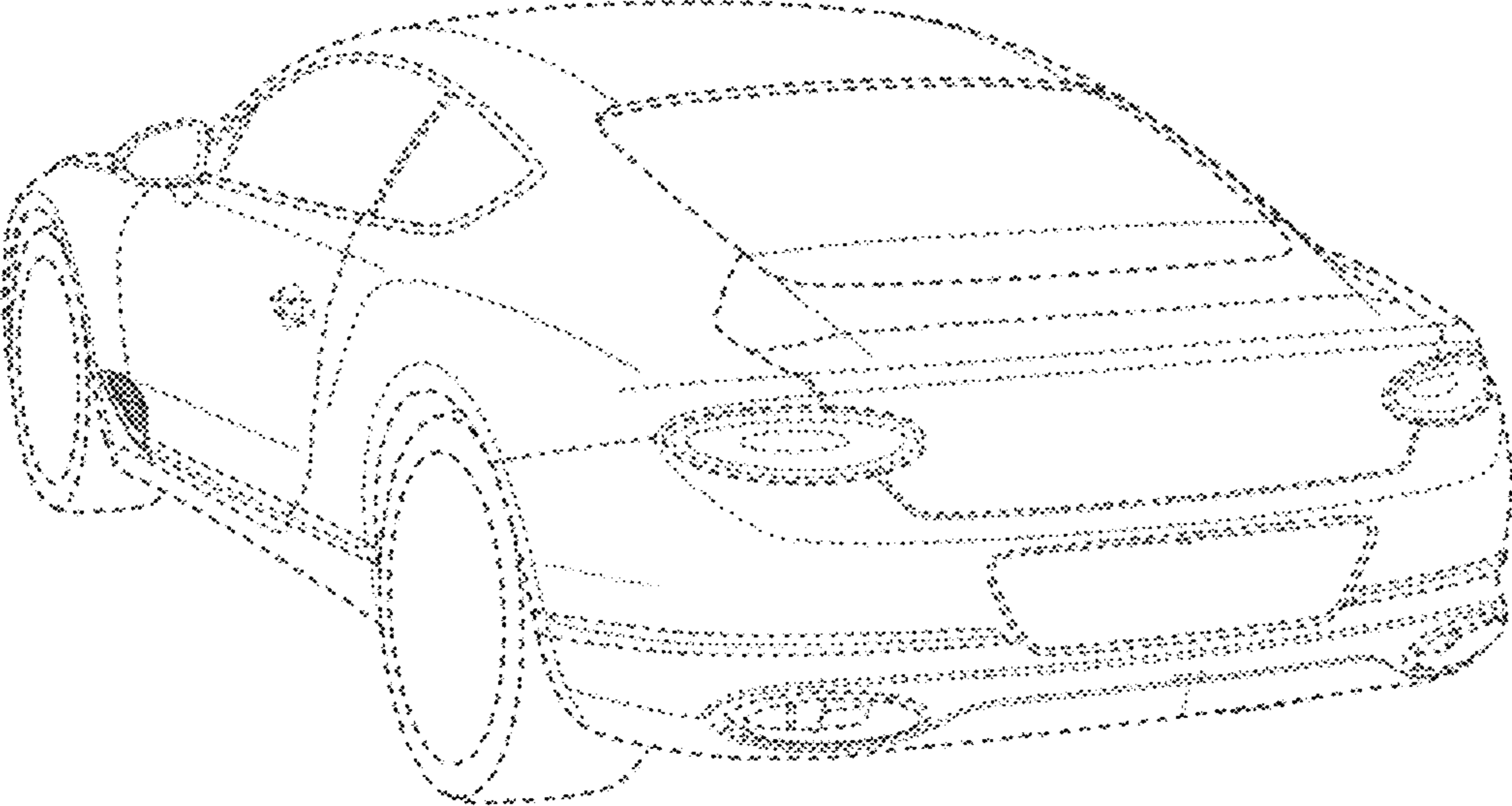


FIG. 4

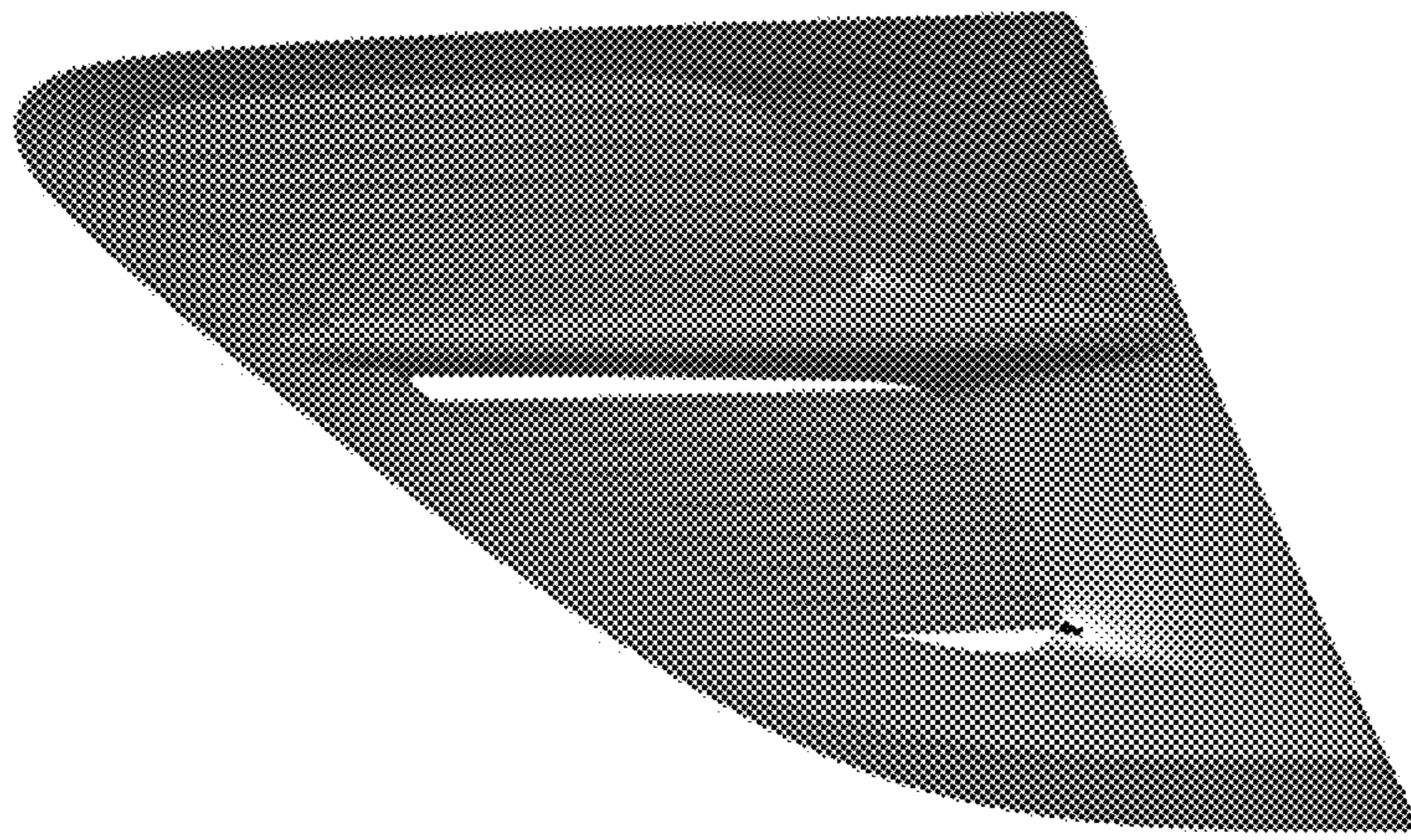


FIG. 5

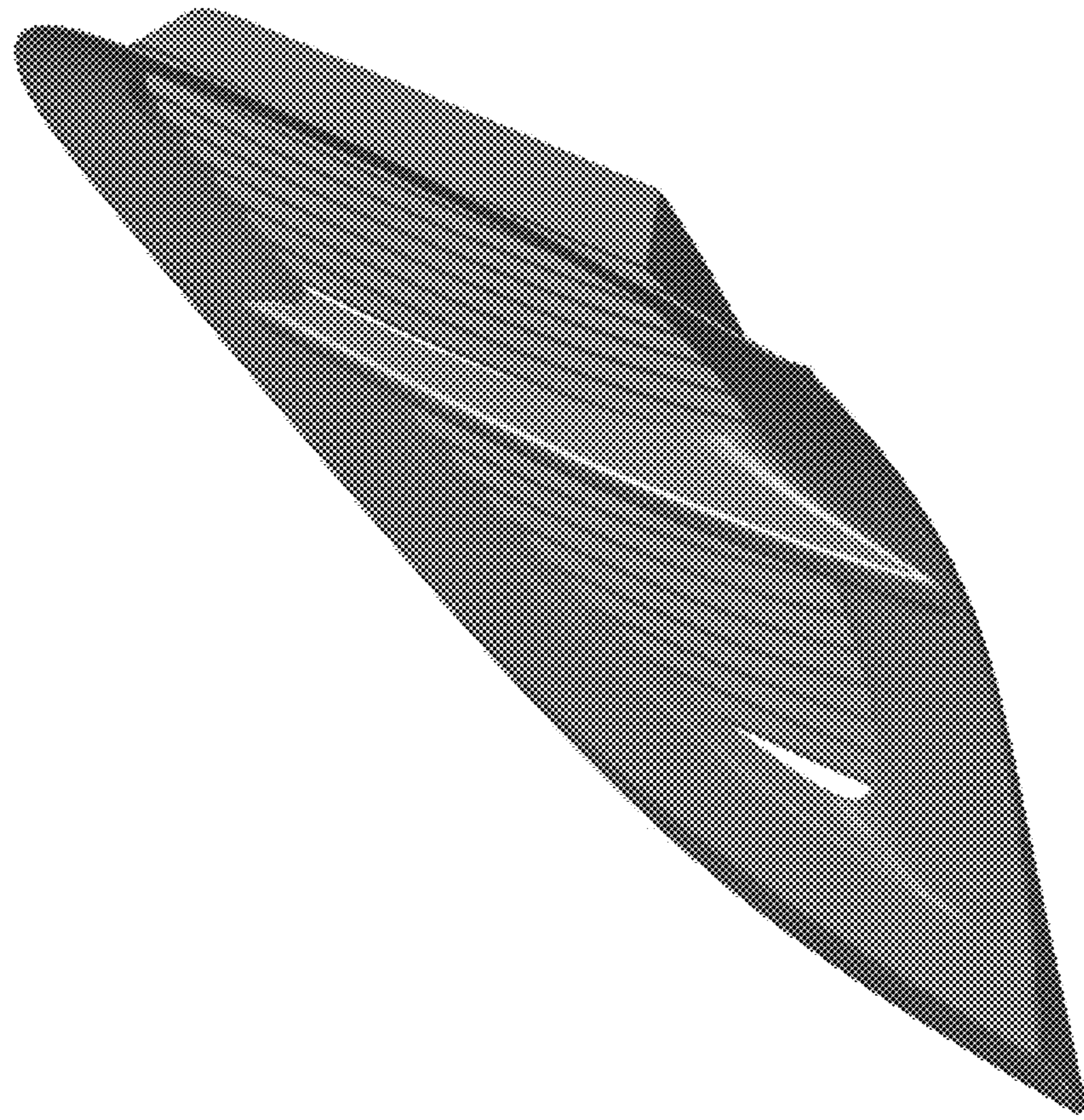


FIG. 6



FIG. 7