



US00D899982S

(12) **United States Design Patent** (10) **Patent No.:** **US D899,982 S**  
**Metros et al.** (45) **Date of Patent:** **\*\* \*Oct. 27, 2020**

- (54) **VEHICLE FENDER**
- (71) Applicant: **Ford Global Technologies, LLC**,  
Dearborn, MI (US)
- (72) Inventors: **Craig Metros**, Bloomfield, MI (US);  
**George Bucher**, Dearborn, MI (US);  
**James Grake**, Beverly Hills, MI (US);  
**Andrew Bazinski**, Amherstburg (CA)
- (73) Assignee: **Ford Global Technologies, LLC**,  
Dearborn, MI (US)
- (\*) Notice: This patent is subject to a terminal disclaimer.
- (\*\*) Term: **15 Years**
- (21) Appl. No.: **29/685,382**
- (22) Filed: **Mar. 28, 2019**
- (51) **LOC (12) Cl.** ..... **12-16**
- (52) **U.S. Cl.**  
USPC ..... **D12/181**
- (58) **Field of Classification Search**  
USPC ..... D12/90, 91, 92, 93, 96, 181, 184, 196  
CPC .. B62D 25/02; B62D 25/04; B60J 5/00; B60J  
5/02; B60J 5/04; B60J 5/10  
See application file for complete search history.

D642,966 S	8/2011	Messale	
D686,125 S *	7/2013	McCabe	D12/184
D686,552 S *	7/2013	Weil	D12/184
D711,797 S *	8/2014	Tsuchida	D12/184
D746,743 S *	1/2016	Behmer	D12/184
D756,870 S *	5/2016	Tsutamori	D12/184
D781,192 S *	3/2017	Kozub	D12/181
D803,740 S *	11/2017	Im	D12/184
D827,528 S *	9/2018	Gueler	D12/184
D841,542 S *	2/2019	Koo	D12/184
D850,341 S *	6/2019	Riggs	D12/184
D854,990 S *	7/2019	Smock	D12/184
D859,246 S *	9/2019	Thurber	D12/181
D864,065 S *	10/2019	Pinazzo	D12/184
D873,741 S *	1/2020	Davidson	D12/184
D873,742 S *	1/2020	Toriyama	D12/184

\* cited by examiner

*Primary Examiner* — George D. Kirschbaum  
*Assistant Examiner* — Joseph J Kukella

(57) **CLAIM**

The ornamental design for a vehicle fender, as shown and described.

**DESCRIPTION**

FIG. 1 is a front elevational view of a vehicle fender, showing our new design;  
FIG. 2 is a left side elevational view thereof;  
FIG. 3 is a right side elevational view thereof;  
FIG. 4 is a top plan view thereof;  
FIG. 5 is a bottom plan view thereof;  
FIG. 6 is a top, front, and left side perspective view thereof;  
and,  
FIG. 7 is a top, rear, and left side perspective view thereof.

**1 Claim, 7 Drawing Sheets**

- (56) **References Cited**  
U.S. PATENT DOCUMENTS  
D580,659 S 11/2008 Geuler et al.  
D614,554 S \* 4/2010 Noguchi ..... D12/181



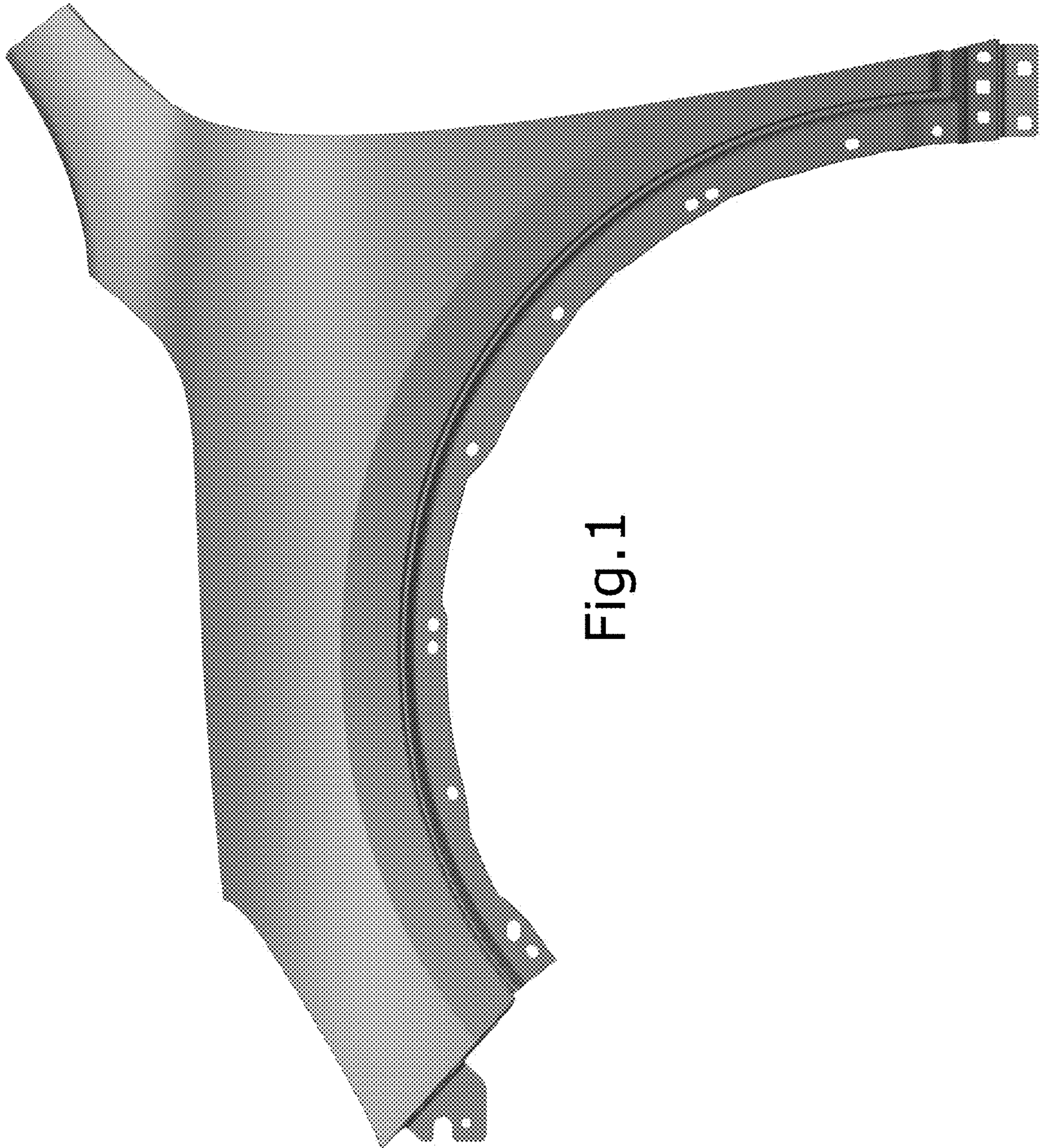


Fig. 1



Fig. 2

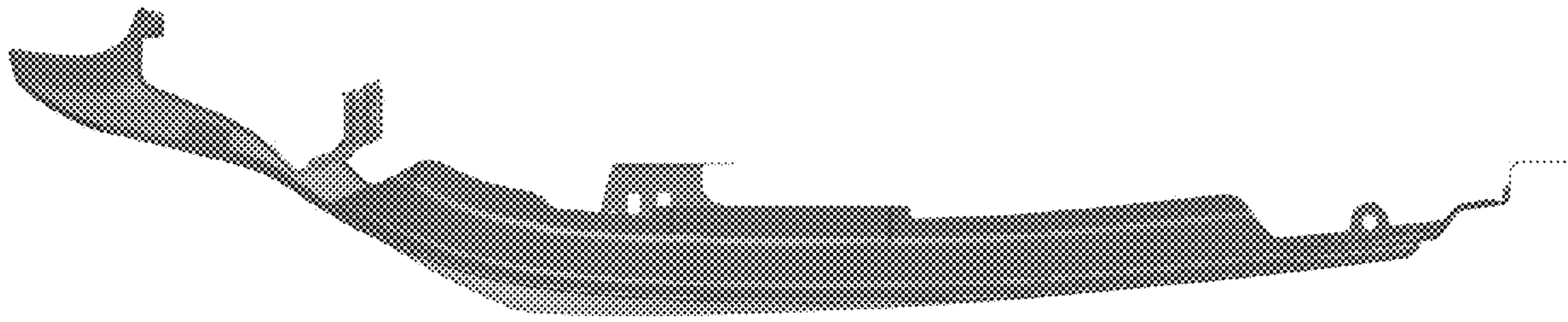


Fig. 3

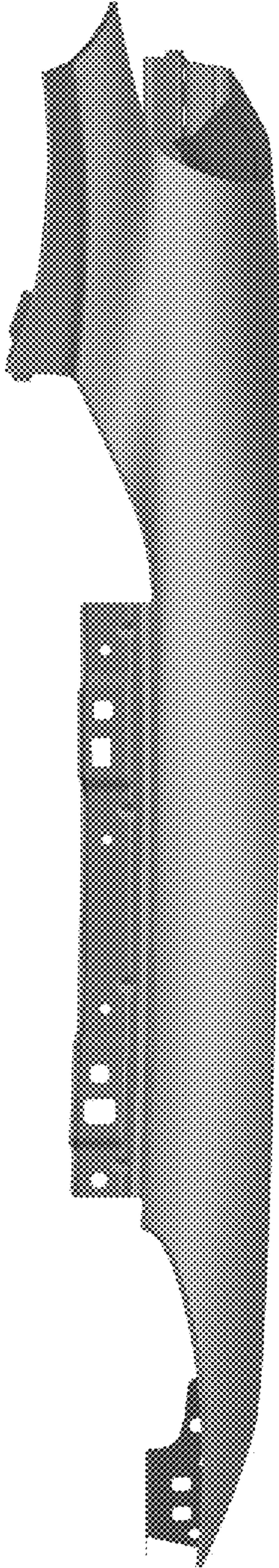


Fig.4

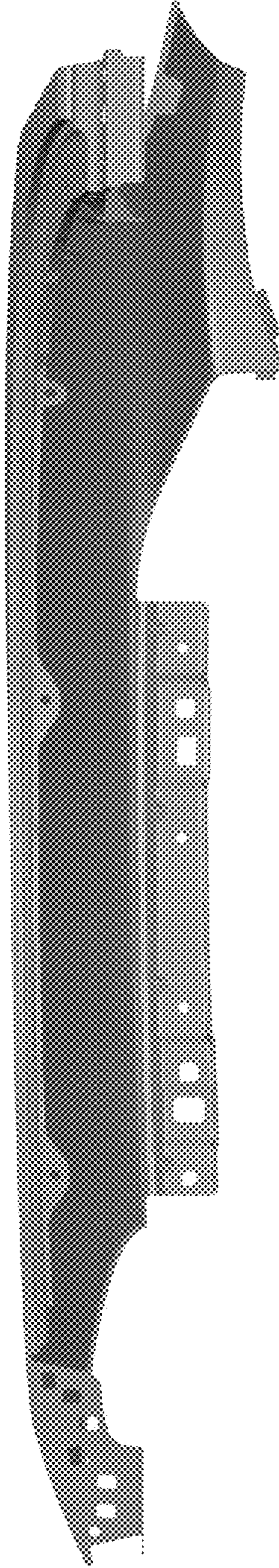


Fig. 5

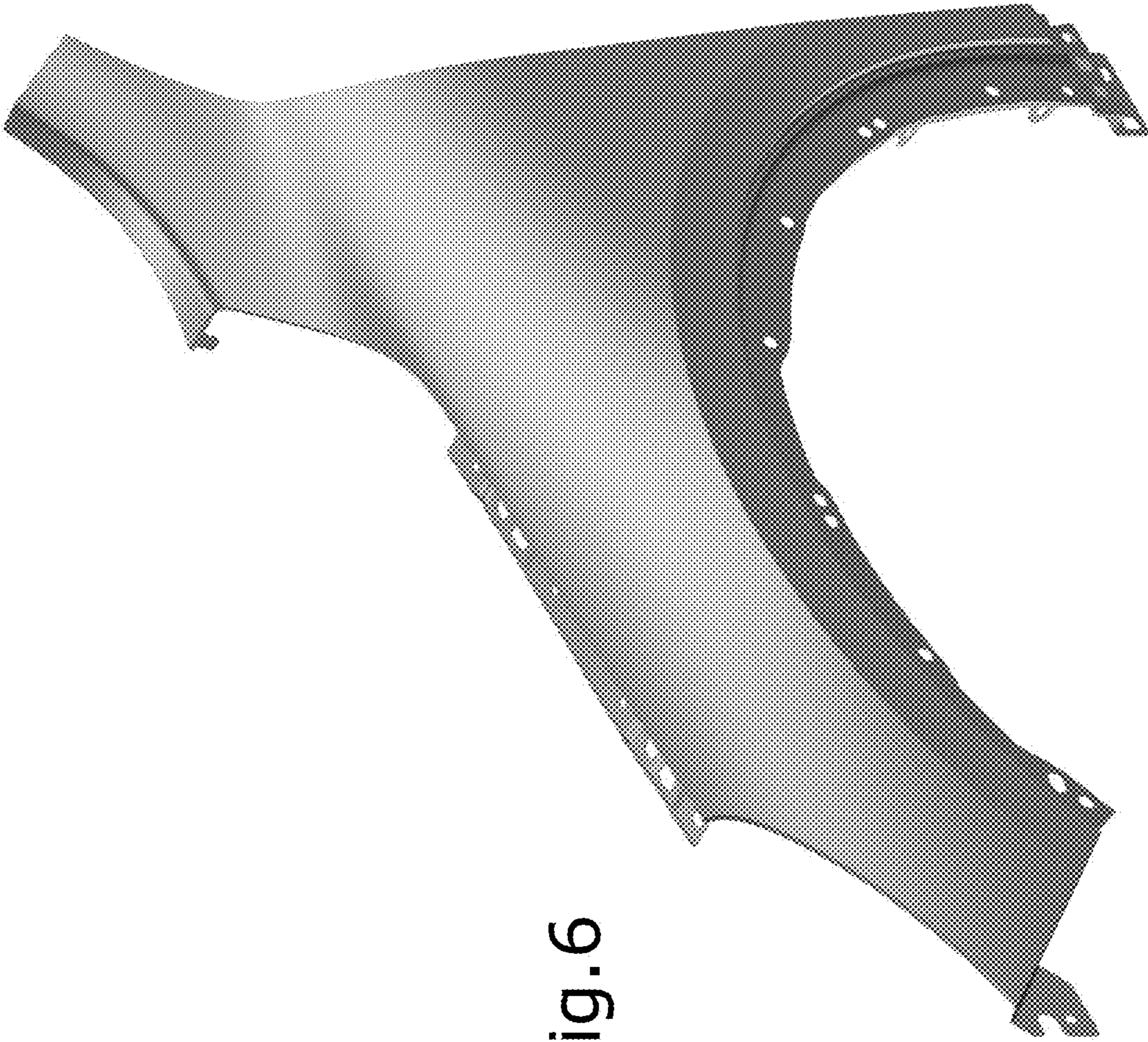


Fig. 6

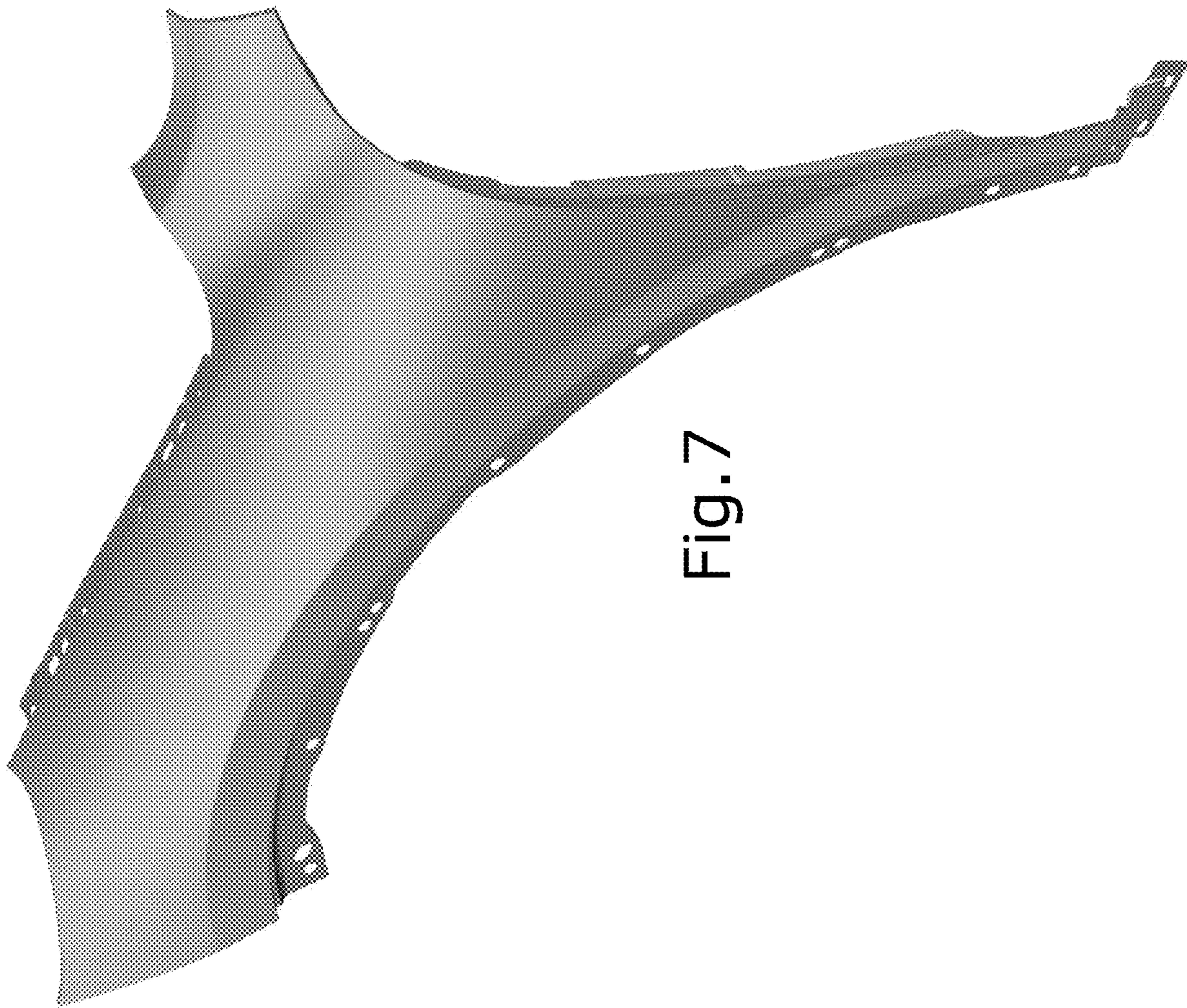


Fig. 7