



US00D899976S

(12) **United States Design Patent** (10) **Patent No.:** **US D899,976 S**  
**Metros et al.** (45) **Date of Patent:** **\*\* Oct. 27, 2020**

(54) **VEHICLE FRONT LOWER GRILLE**

(71) Applicant: **Ford Global Technologies, LLC,**  
Dearborn, MI (US)

(72) Inventors: **Craig S. Metros,** Bloomfield, MI (US);  
**Darrell Behmer,** Novi, MI (US);  
**Melvin Betancourt,** Shelby Township,  
MI (US); **Christopher Stevens,** Detroit,  
MI (US)

(73) Assignee: **Ford Global Technologies, LLC,**  
Dearborn, MI (US)

(\*\*) Term: **15 Years**

(21) Appl. No.: **29/673,792**

(22) Filed: **Dec. 18, 2018**

(51) **LOC (12) Cl.** ..... **12-16**

(52) **U.S. Cl.**  
USPC ..... **D12/163**

(58) **Field of Classification Search**  
USPC ..... D12/163, 196, 86, 90-92, 169, 190, 98,  
D12/164; 293/102, 113, 115, 117, 120,  
293/193.11; 296/180.1, 180.2; 180/68.1,  
180/68.6  
CPC ..... B60R 19/52; B60K 11/08; B62D 25/08;  
B62B 9/16

See application file for complete search history.

(56) **References Cited**

**U.S. PATENT DOCUMENTS**

D547,705 S \* 7/2007 Marchese ..... D12/163  
D589,853 S 12/2009 Saridakis et al.  
D634,675 S \* 3/2011 Lamm ..... D12/163  
D678,137 S 3/2013 Behmer et al.  
D678,824 S 3/2013 Behmer et al.  
D680,033 S 4/2013 Behmer et al.  
D698,288 S \* 1/2014 Riggs ..... D12/163  
D708,993 S \* 7/2014 Mays ..... D12/163  
D712,318 S 9/2014 Mays et al.

D712,319 S 9/2014 Mays et al.  
D712,797 S 9/2014 Mays et al.  
D746,185 S 12/2015 Curic et al.  
D754,574 S \* 4/2016 Hanson ..... D12/163  
D756,274 S 5/2016 Curic et al.  
D758,926 S \* 6/2016 Rugar ..... D12/163  
D807,242 S \* 1/2018 Piscitelli ..... D12/163  
D819,512 S 6/2018 Behmer et al.  
D826,797 S \* 8/2018 Behmer ..... D12/163  
D853,898 S \* 7/2019 Bucher ..... D12/163  
D855,502 S \* 8/2019 Behmer ..... D12/163  
D863,132 S \* 10/2019 Thurber ..... D12/163  
D879,678 S \* 3/2020 Tonello ..... D12/163  
D880,378 S \* 4/2020 Lu ..... D12/163  
D885,994 S \* 6/2020 Metros ..... D12/163  
D887,317 S \* 6/2020 Metros ..... D12/163

**OTHER PUBLICATIONS**

Reese Counts, 2020 Ford Shelby GT500 revealed in Instagram post,  
<https://www.autoblog.com> Oct. 18, 2018.

\* cited by examiner

*Primary Examiner* — Melody N Brown

(74) *Attorney, Agent, or Firm* — Vichit Chea

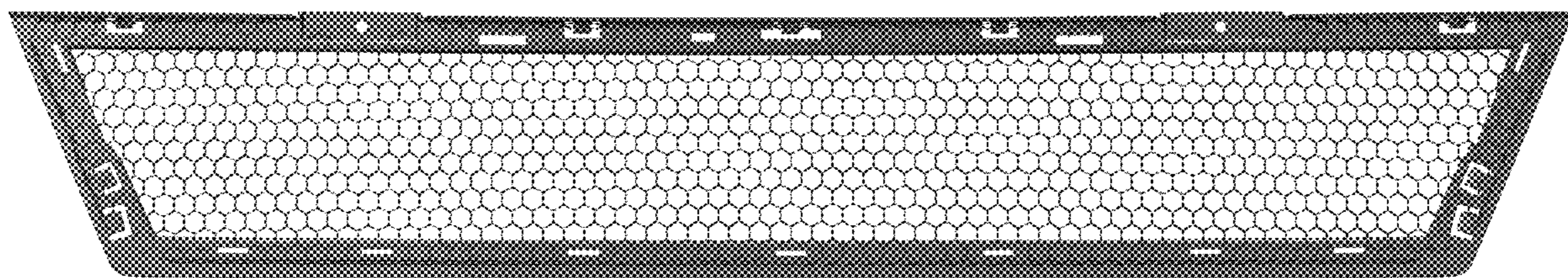
(57) **CLAIM**

The ornamental design for a vehicle front lower grille, as shown and described.

**DESCRIPTION**

FIG. 1 is a front elevational view of a vehicle front lower grille, showing our new design;  
FIG. 2 is a left side elevational view thereof;  
FIG. 3 is a right side elevational view thereof;  
FIG. 4 is a top plan view thereof;  
FIG. 5 is a bottom plan view thereof;  
FIG. 6 is a top, front and left side perspective view thereof;  
and,  
FIG. 7 is a bottom, front and left side perspective view thereof.

**1 Claim, 7 Drawing Sheets**



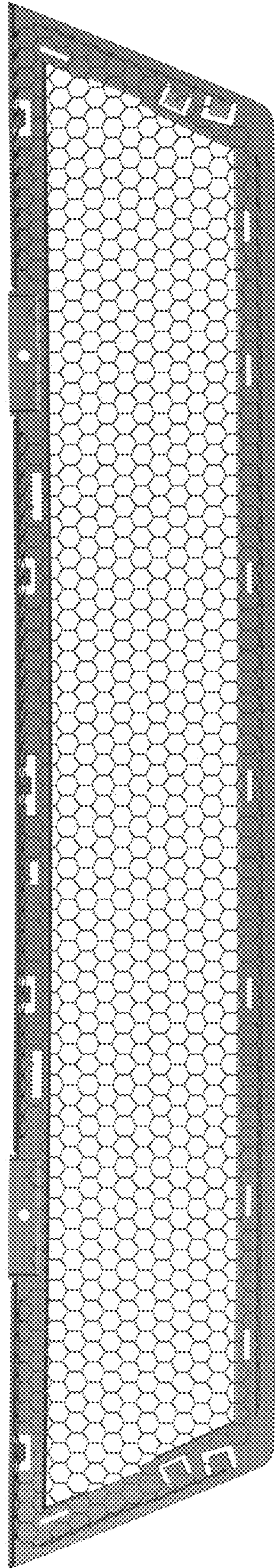


Fig. 1

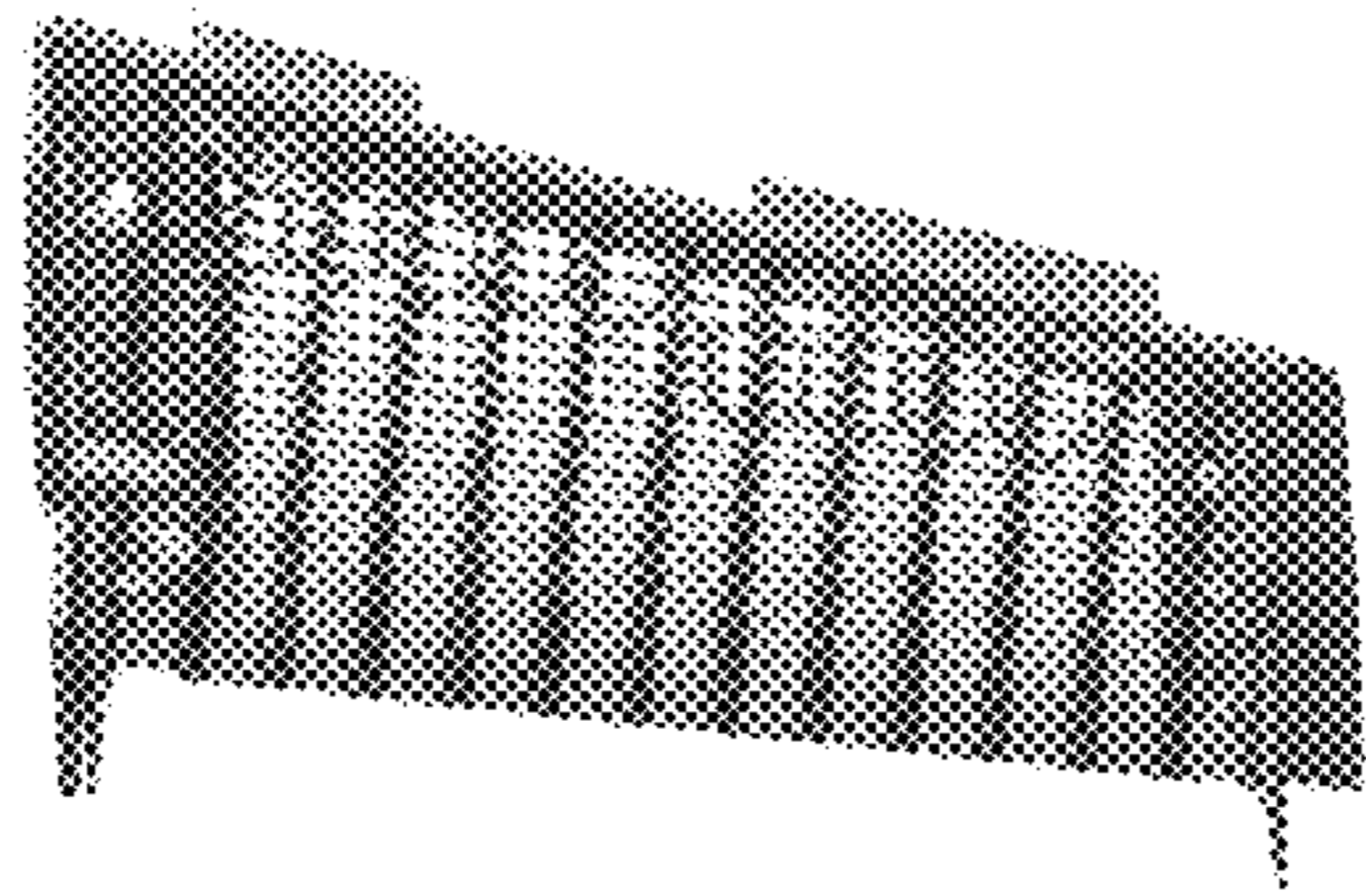


Fig. 2

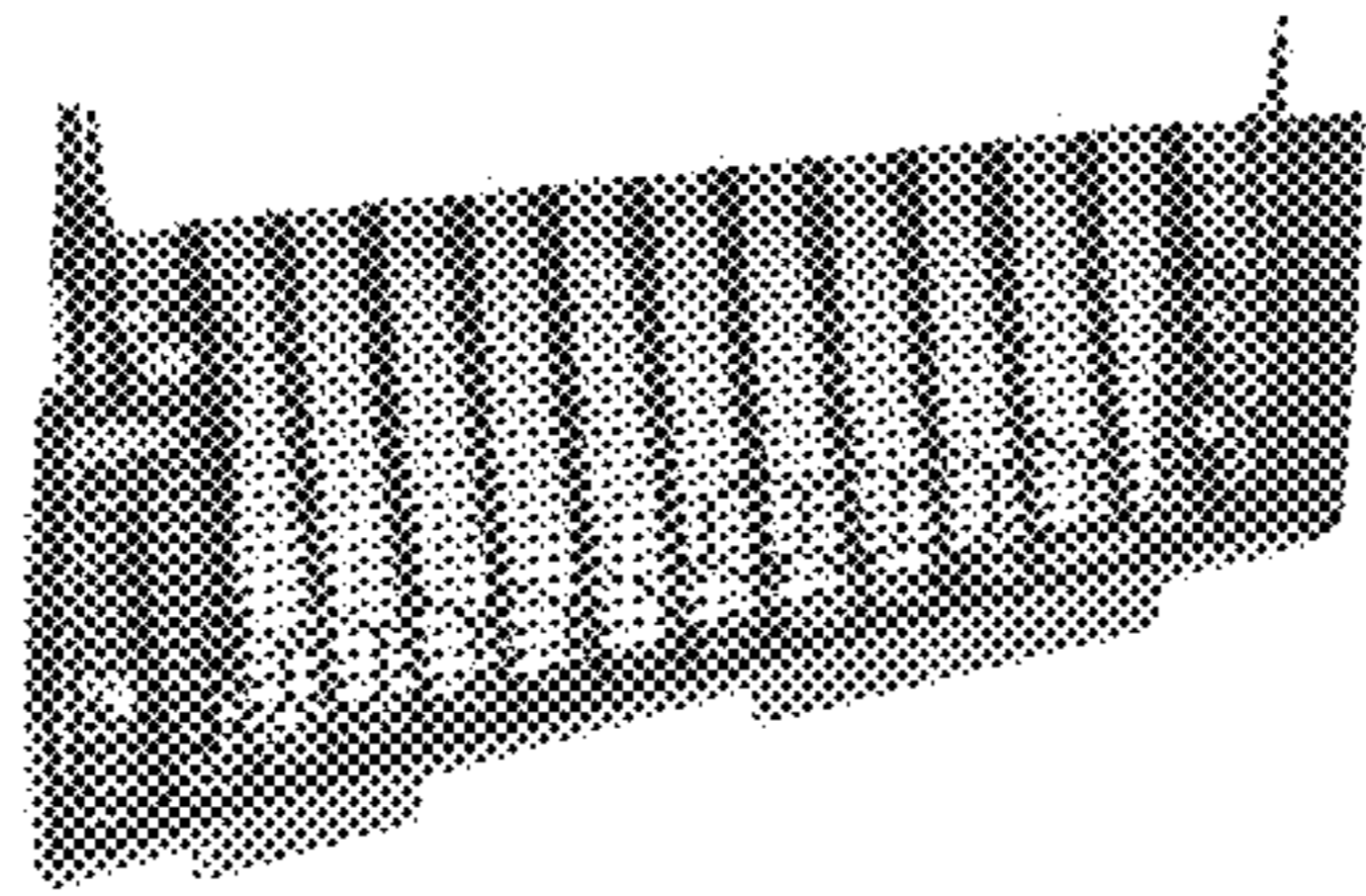


Fig. 3

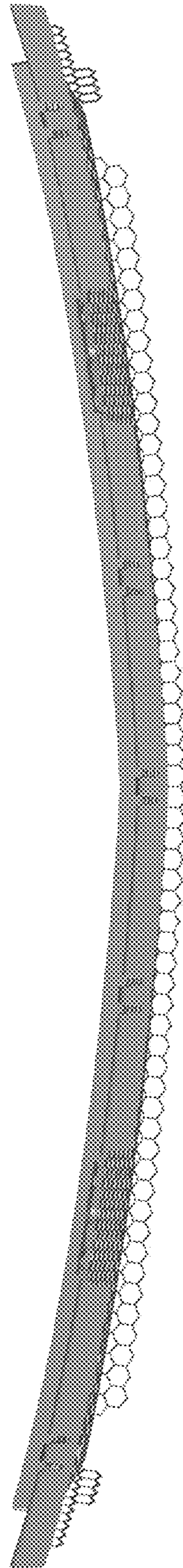
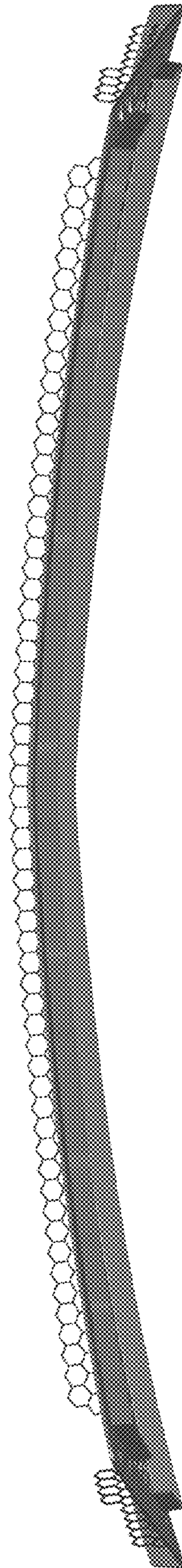


Fig. 4

*Fig. 5*



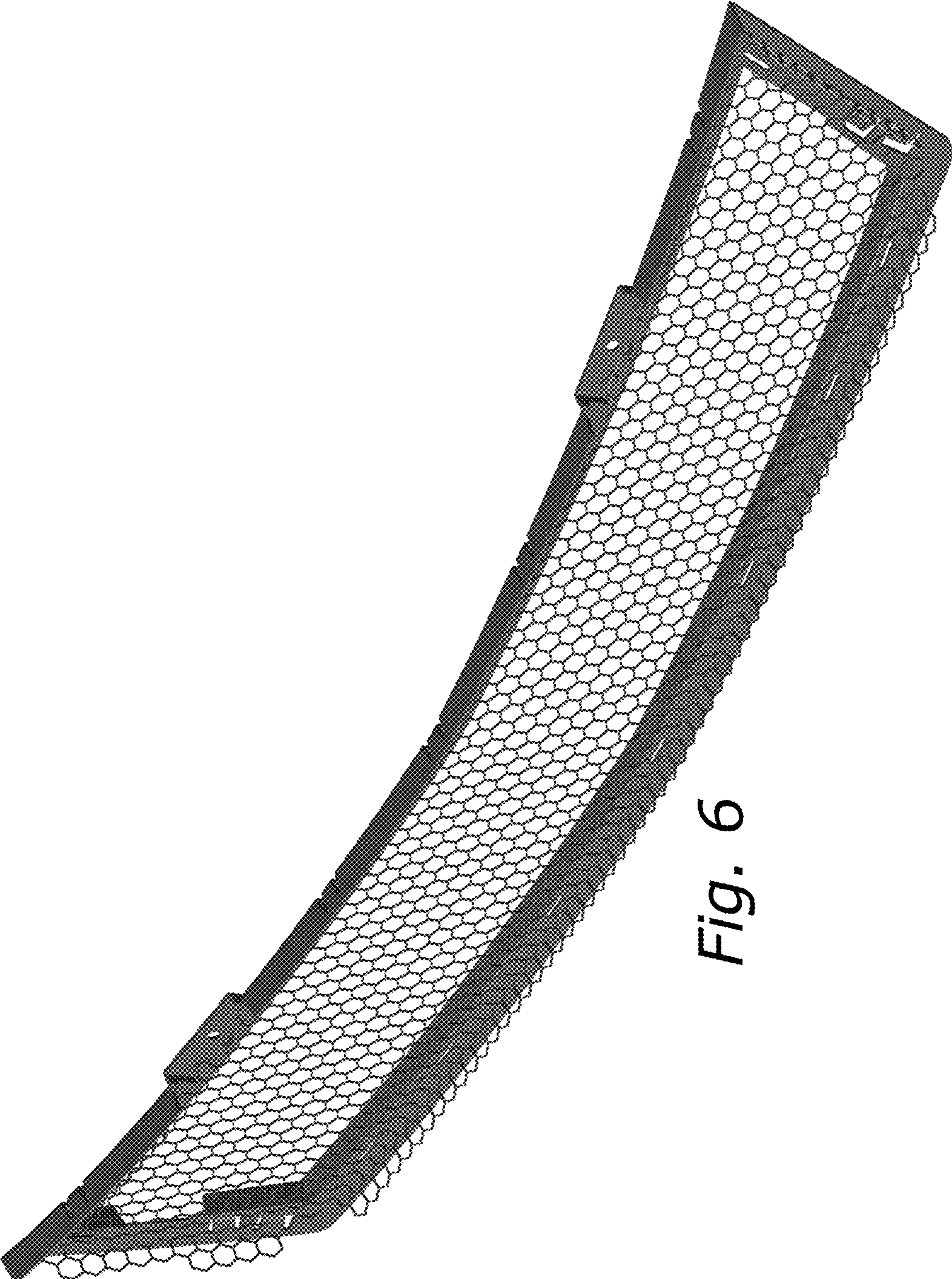


Fig. 6

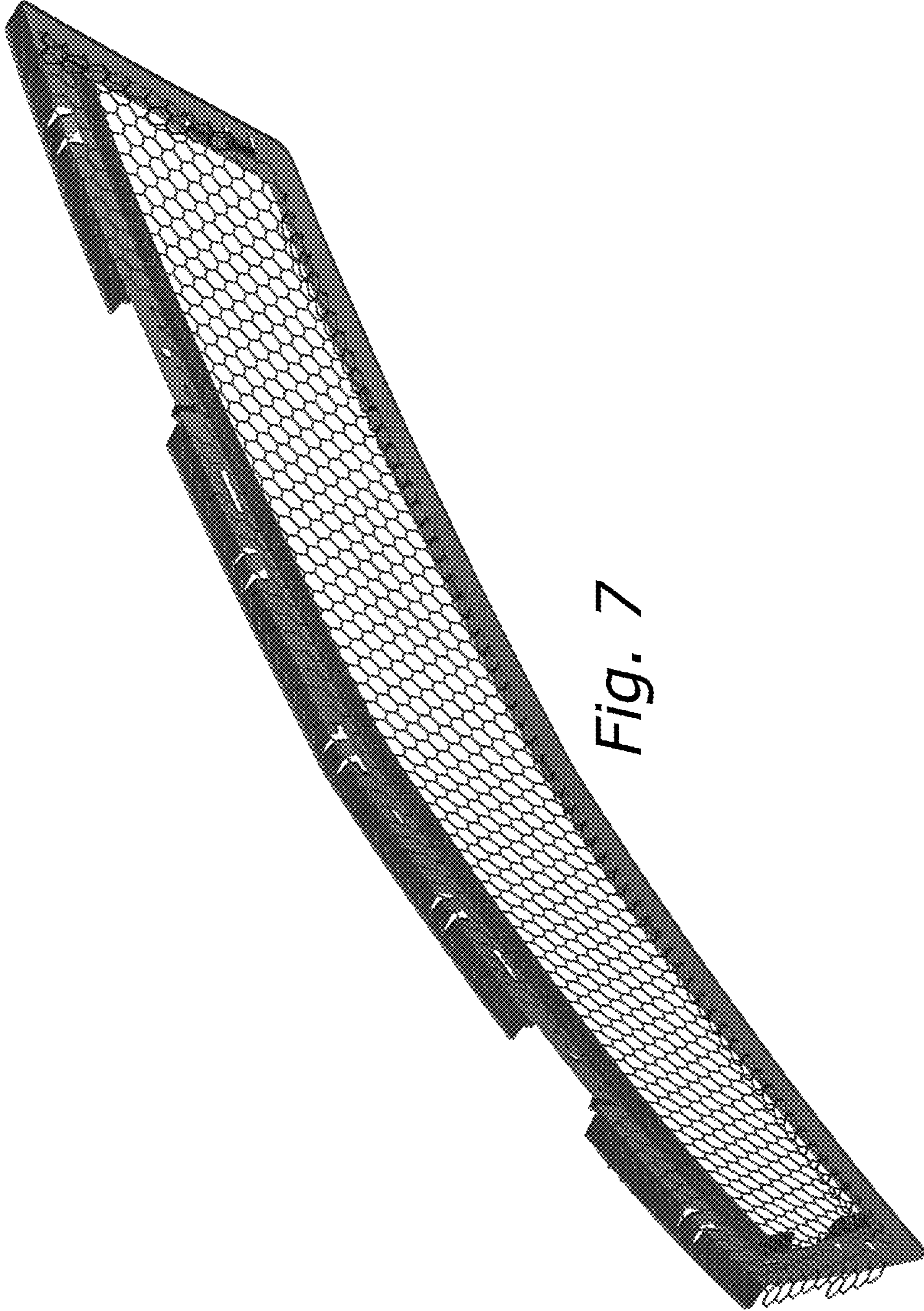


Fig. 7