



US00D899971S

(12) **United States Design Patent**
Tanaka et al.

(10) **Patent No.:** **US D899,971 S**

(45) **Date of Patent:** **** Oct. 27, 2020**

(54) **PASSENGER CAR**

(71) Applicant: **Subaru Corporation**, Tokyo (JP)

(72) Inventors: **Shigeru Tanaka**, Tokyo (JP); **Kazuki Aiba**, Tokyo (JP)

(73) Assignee: **Subaru Corporation**, Tokyo (JP)

(**) Term: **15 Years**

(21) Appl. No.: **29/696,040**

(22) Filed: **Jun. 25, 2019**

(30) **Foreign Application Priority Data**

Dec. 25, 2018 (JP) 2018-028276

(51) **LOC (12) Cl.** **12-08**

(52) **U.S. Cl.**
USPC **D12/92**

(58) **Field of Classification Search**
USPC D12/86, 90-92, 89; D21/424, 433, 434;
296/181.1-181.5, 183.1
CPC B62D 25/00; B62D 25/06; B62D 33/00;
B62D 35/00

See application file for complete search history.

(56) **References Cited**

U.S. PATENT DOCUMENTS

D797,604 S * 9/2017 Isomura D12/92
D800,021 S * 10/2017 Hagino D12/92

D838,628 S * 1/2019 Tsutamori D12/92
D842,760 S * 3/2019 Tsuchida D12/92
D845,174 S * 4/2019 Iwao D12/92
D871,263 S * 12/2019 Fuchino D12/92

* cited by examiner

Primary Examiner — Melody N Brown

(74) *Attorney, Agent, or Firm* — Schiff Hardin LLP

(57) **CLAIM**

We claim the ornamental design for a passenger car, as shown and described.

DESCRIPTION

FIG. 1 is a front perspective view for a “passenger car” showing our new design,
FIG. 2 is a rear perspective view thereof,
FIG. 3 is a front view thereof,
FIG. 4 is a rear view thereof,
FIG. 5 is a top view thereof,
FIG. 6 is a left-side view thereof; and,
FIG. 7 is a right-side view thereof.
The bottom view of the passenger car forms no part of the claimed design.

1 Claim, 4 Drawing Sheets



Fig. 1



Fig. 2

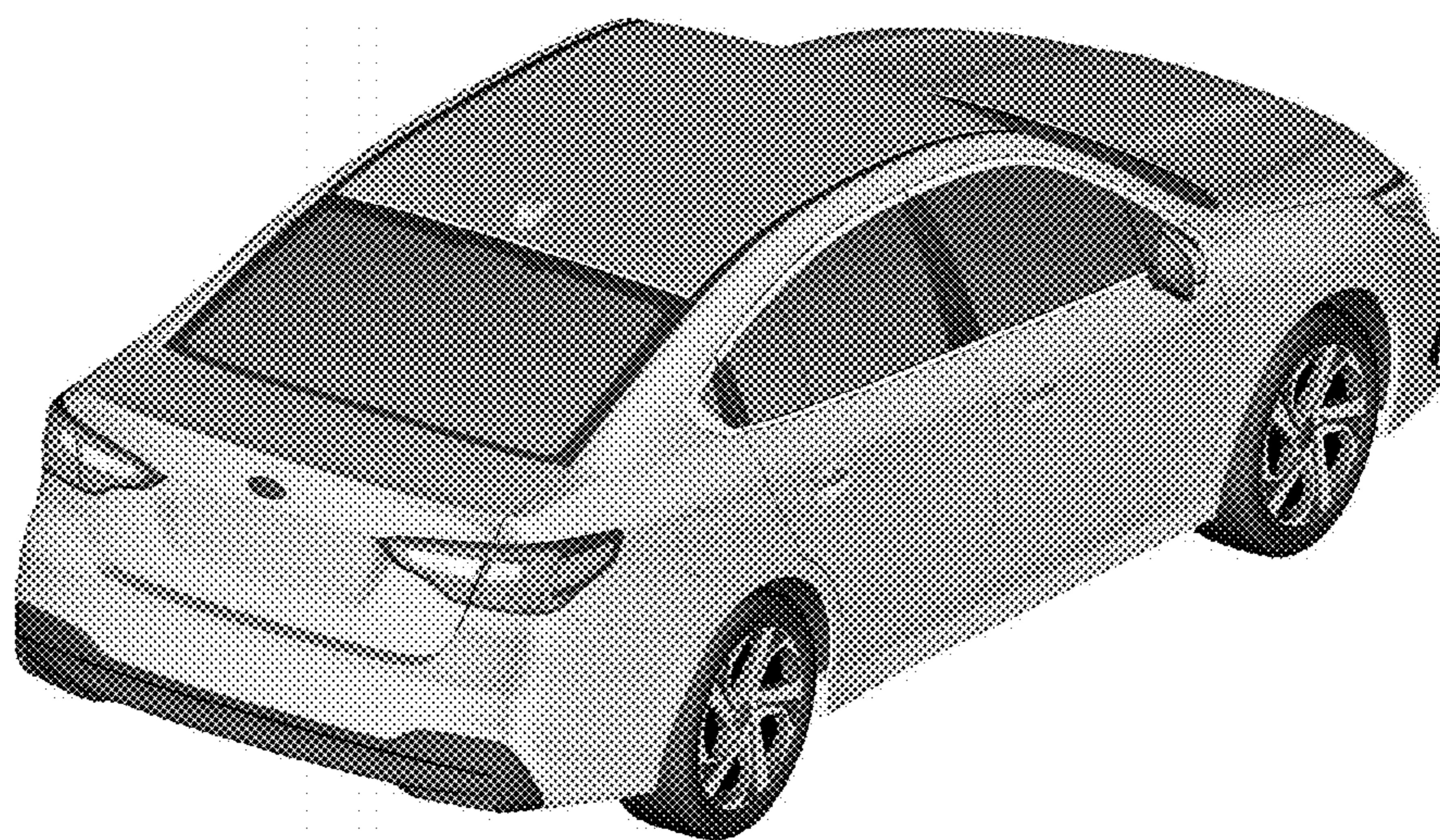


Fig. 3



Fig. 4

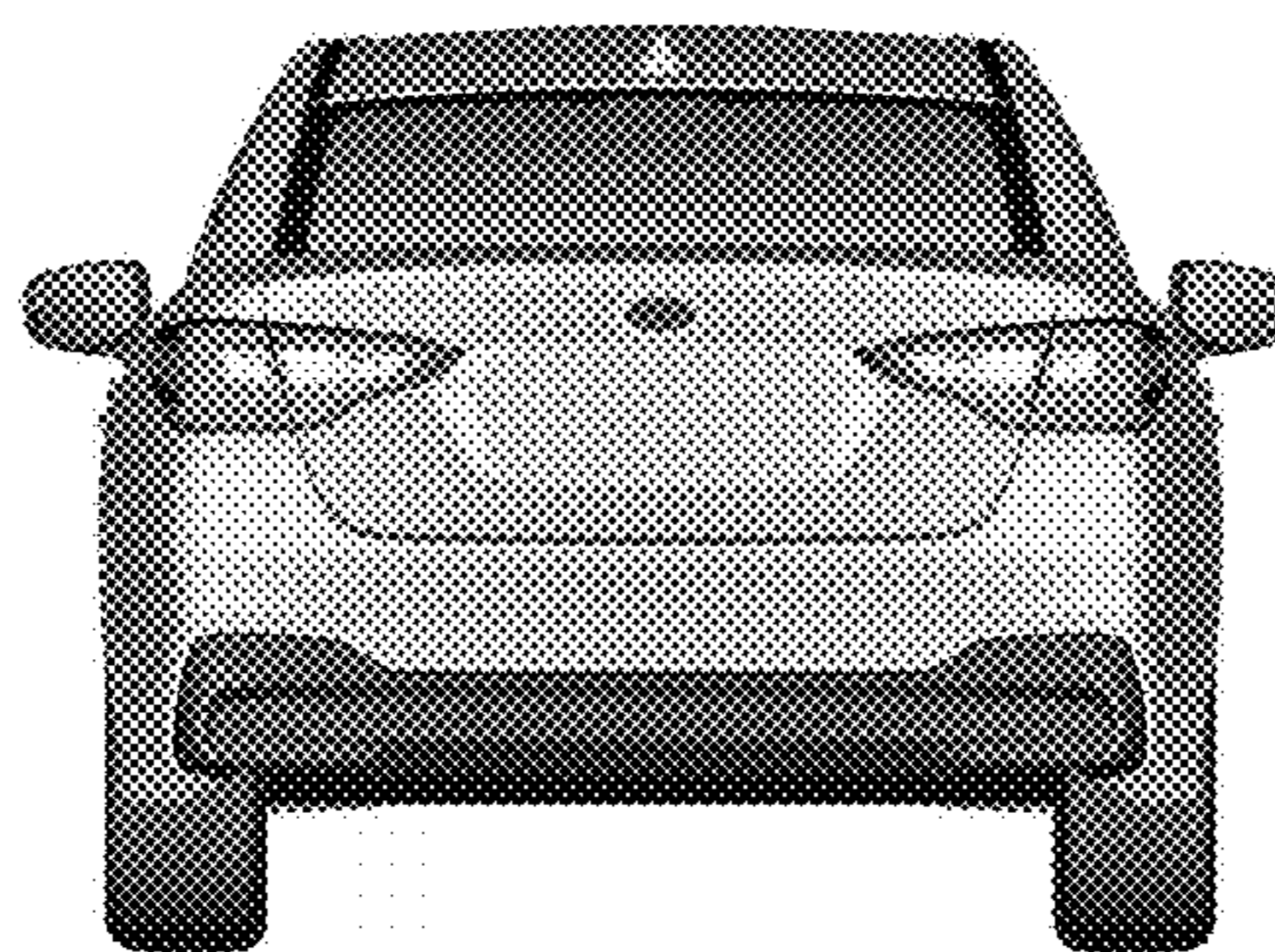


Fig. 5

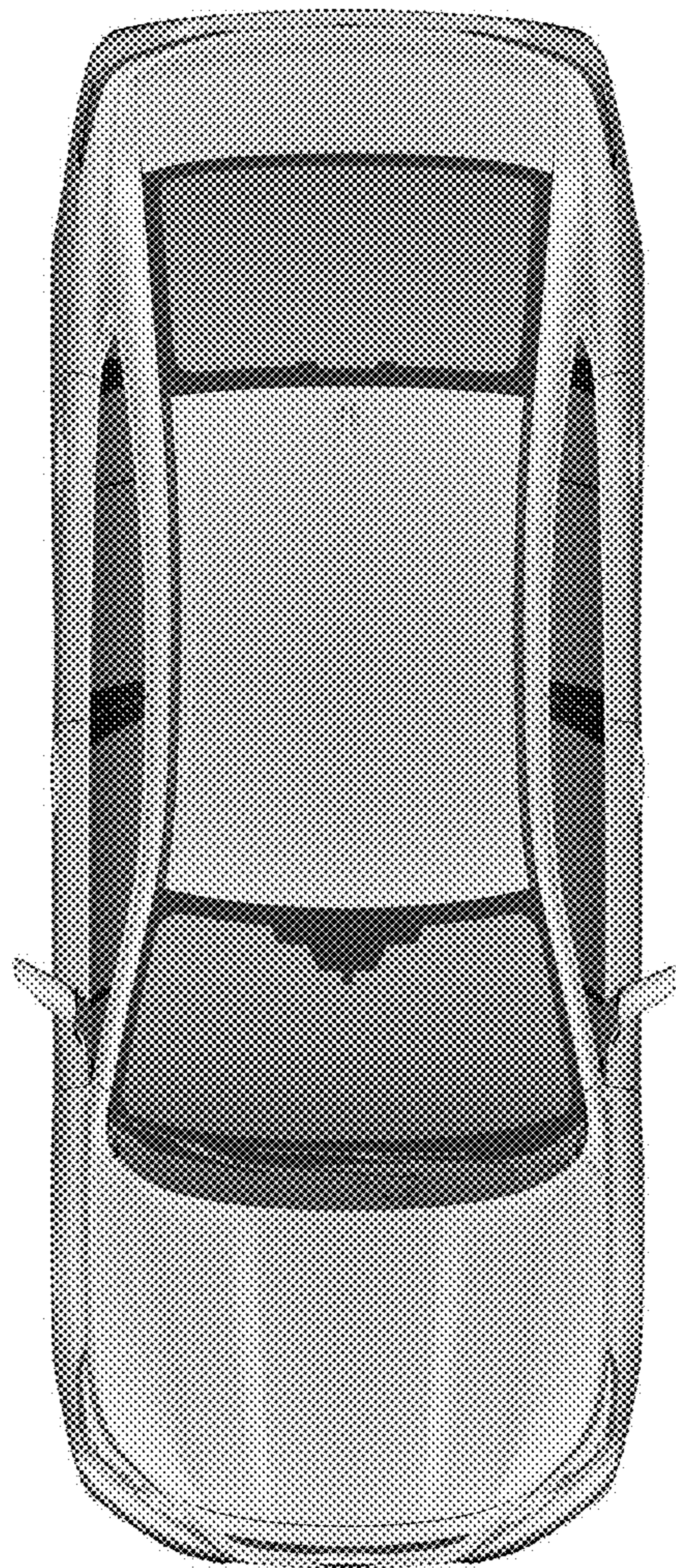


Fig. 6

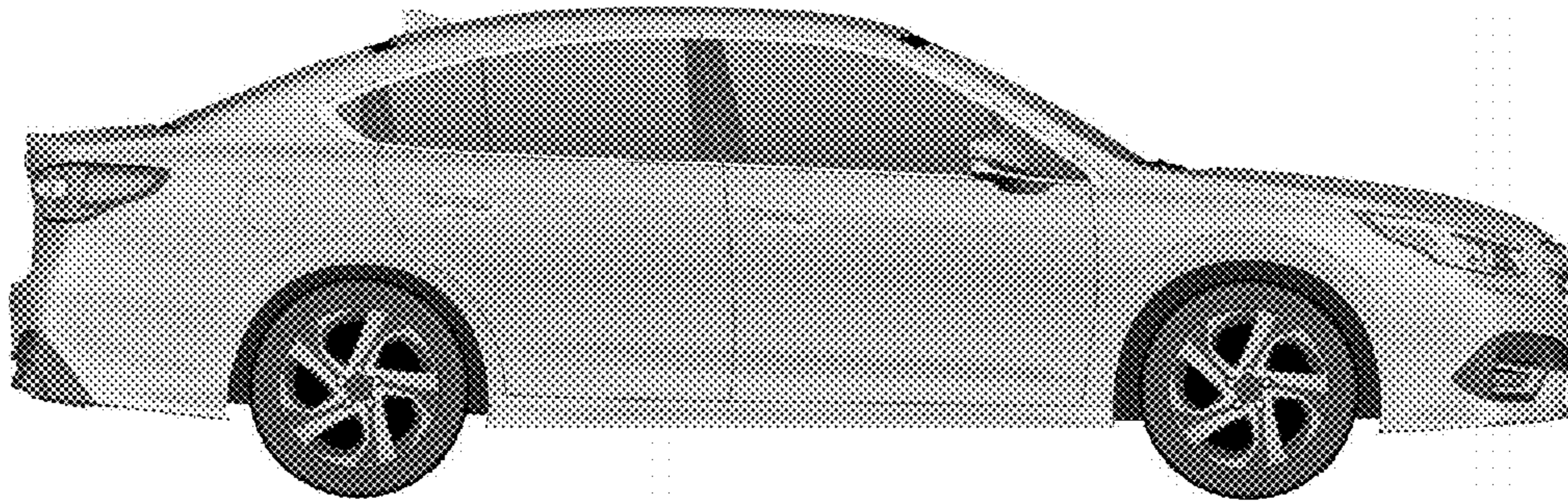


Fig. 7

