



US00D899964S

(12) **United States Design Patent** (10) **Patent No.:** **US D899,964 S**
Dholakiya (45) **Date of Patent:** **** Oct. 27, 2020**

(54) **PRECIOUS STONE JEWELRY SETTING**
(71) Applicant: **H.K. Designs Inc.**, New York, NY (US)
(72) Inventor: **Hasu Dholakiya**, New York, NY (US)
(73) Assignee: **H. K. DESIGNS INC.**, New York, NY (US)
(**) Term: **15 Years**
(21) Appl. No.: **29/604,860**
(22) Filed: **May 22, 2017**
(51) **LOC (12) Cl.** **11-01**
(52) **U.S. Cl.**
USPC **D11/92**
(58) **Field of Classification Search**
USPC D11/79, 91-92, 1, 2, 34-36, 43
CPC A44C 1/00; A44C 17/00; A44C 17/001;
A44C 17/002; A44C 17/005; A44C
17/006; A44C 17/007; A44C 17/008;
A44C 17/02; A44C 17/0208; A44C
17/0241; A44C 17/04; A44C 25/00; A44C
25/001; A44C 25/007
See application file for complete search history.

(56) **References Cited**
U.S. PATENT DOCUMENTS
6,389,846 B1 * 5/2002 Siebenberg A44C 17/02
D11/91
6,442,971 B1 * 9/2002 Gurevich A44C 17/002
D11/91
D473,812 S * 4/2003 Itzkowitz D11/36
D561,637 S * 2/2008 Barin D11/91
D676,349 S * 2/2013 Papadimitriou D11/43
D676,781 S * 2/2013 Papadimitriou D11/79
D684,085 S * 6/2013 Papadimitriou D11/42

D766,123 S * 9/2016 Wachtmeister D11/34
D860,036 S * 9/2019 Dholakiya D11/91
2003/0221453 A1 * 12/2003 Turpanjian A44C 17/02
63/27
2013/0160489 A1 * 6/2013 Arjang A44C 17/0208
63/1.12
2013/0227989 A1 * 9/2013 Kothari A44C 17/02
63/28
2015/0075217 A1 * 3/2015 Disinger A44C 15/0015
63/1.11
2018/0000208 A1 * 1/2018 Bove A44C 17/0291
2018/0307050 A1 * 10/2018 Dholakiya A44C 15/005

* cited by examiner

Primary Examiner — Llorelys Martinez
(74) *Attorney, Agent, or Firm* — Ostrolenk Faber LLP

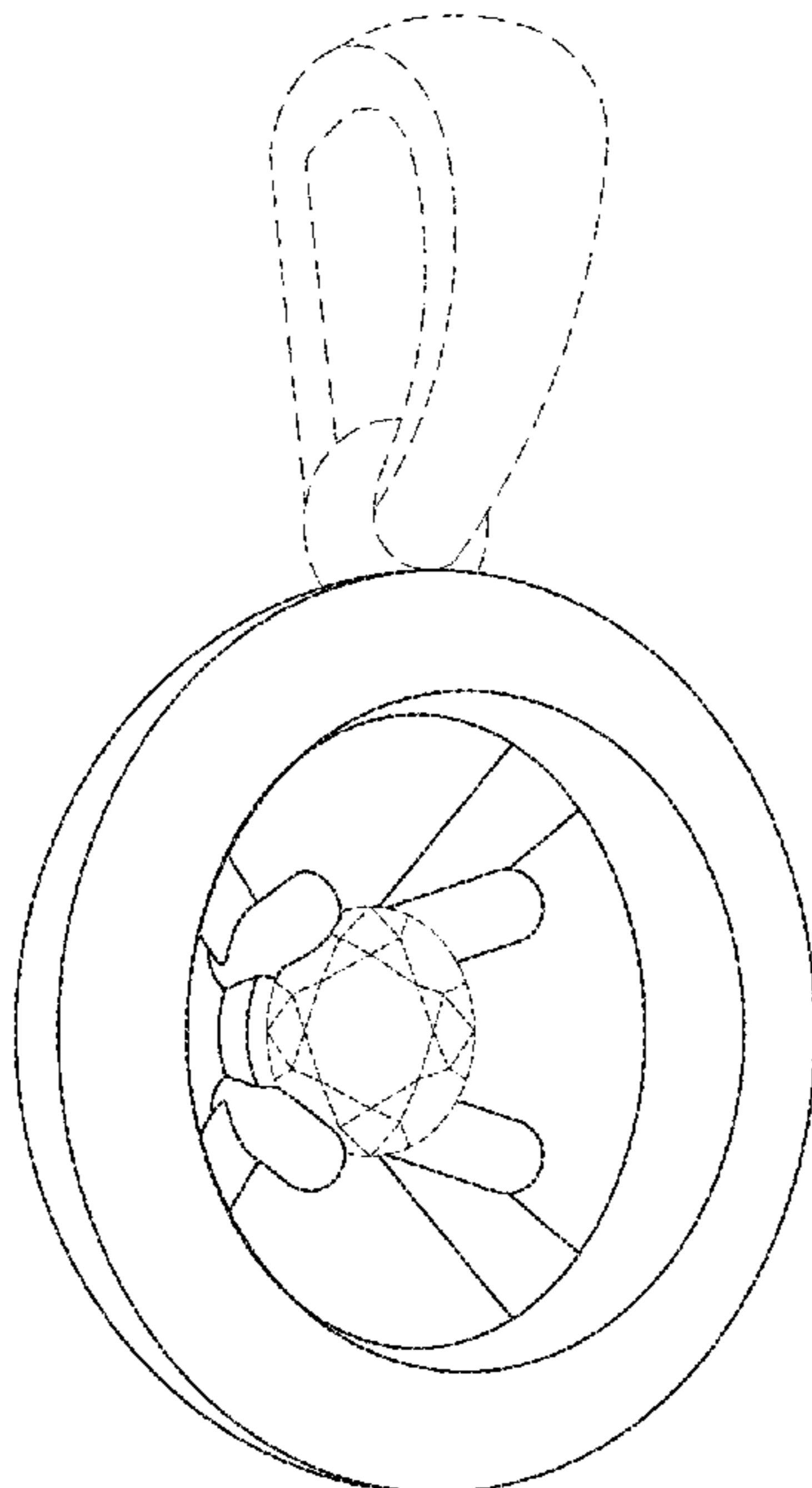
(57) **CLAIM**

The ornamental design for a precious stone jewelry setting, as shown and described.

DESCRIPTION

FIG. 1 is a top view of the precious stone jewelry setting of the present invention.
FIG. 2 is a perspective view of the precious stone jewelry setting of FIG. 1, with the transparent cover removed.
FIG. 3 is a right side elevation view of the precious stone jewelry setting of FIG. 1, the left side view being a mirror image thereof.
FIG. 4 is a rear perspective view of the precious stone jewelry setting of FIG. 1; and,
FIG. 5 is a rear view of the precious stone jewelry setting of FIG. 1.
The broken lines in the drawings illustrate portions of the precious stone jewelry setting that form no part of the claimed design.

1 Claim, 5 Drawing Sheets



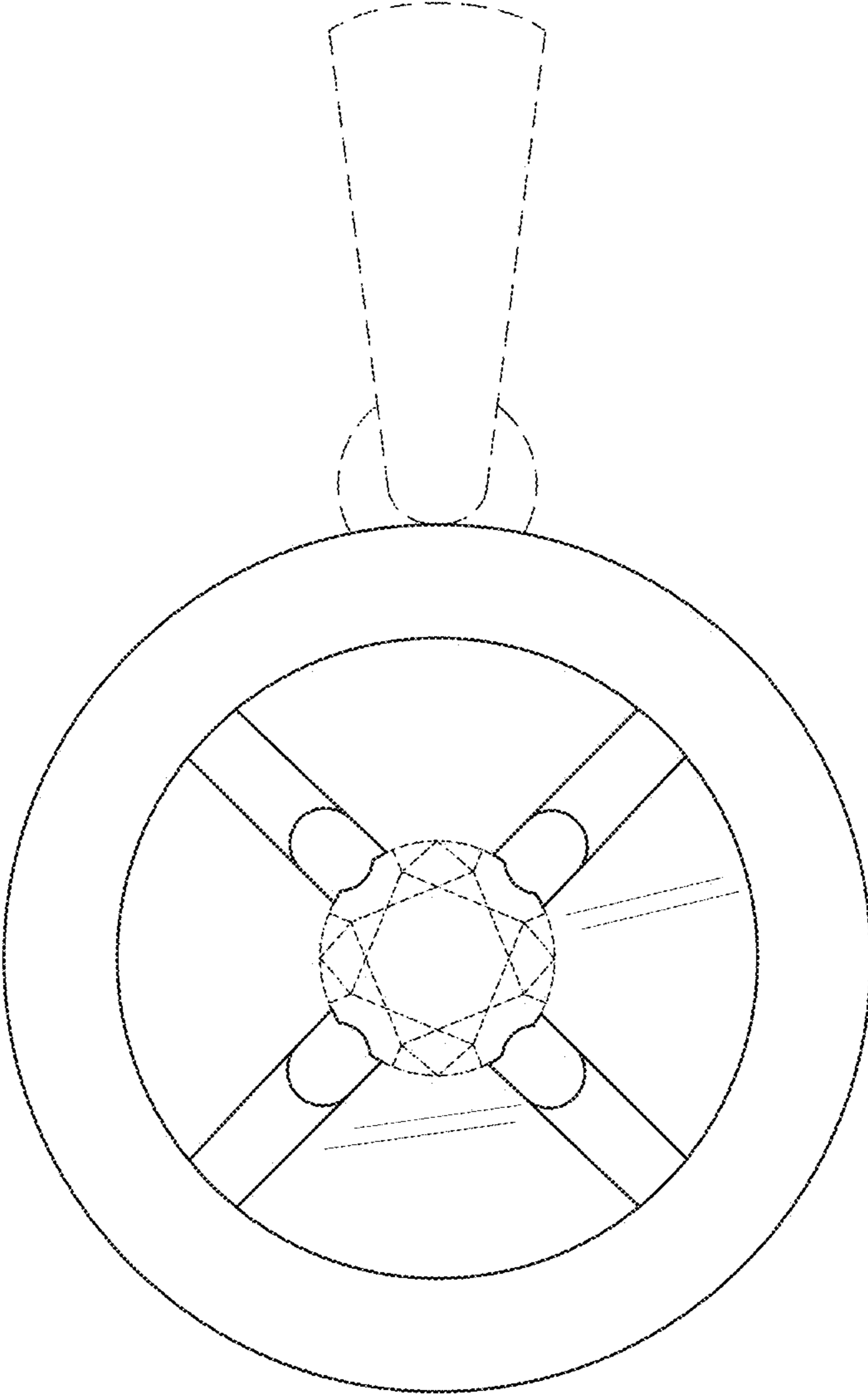


FIG. 1

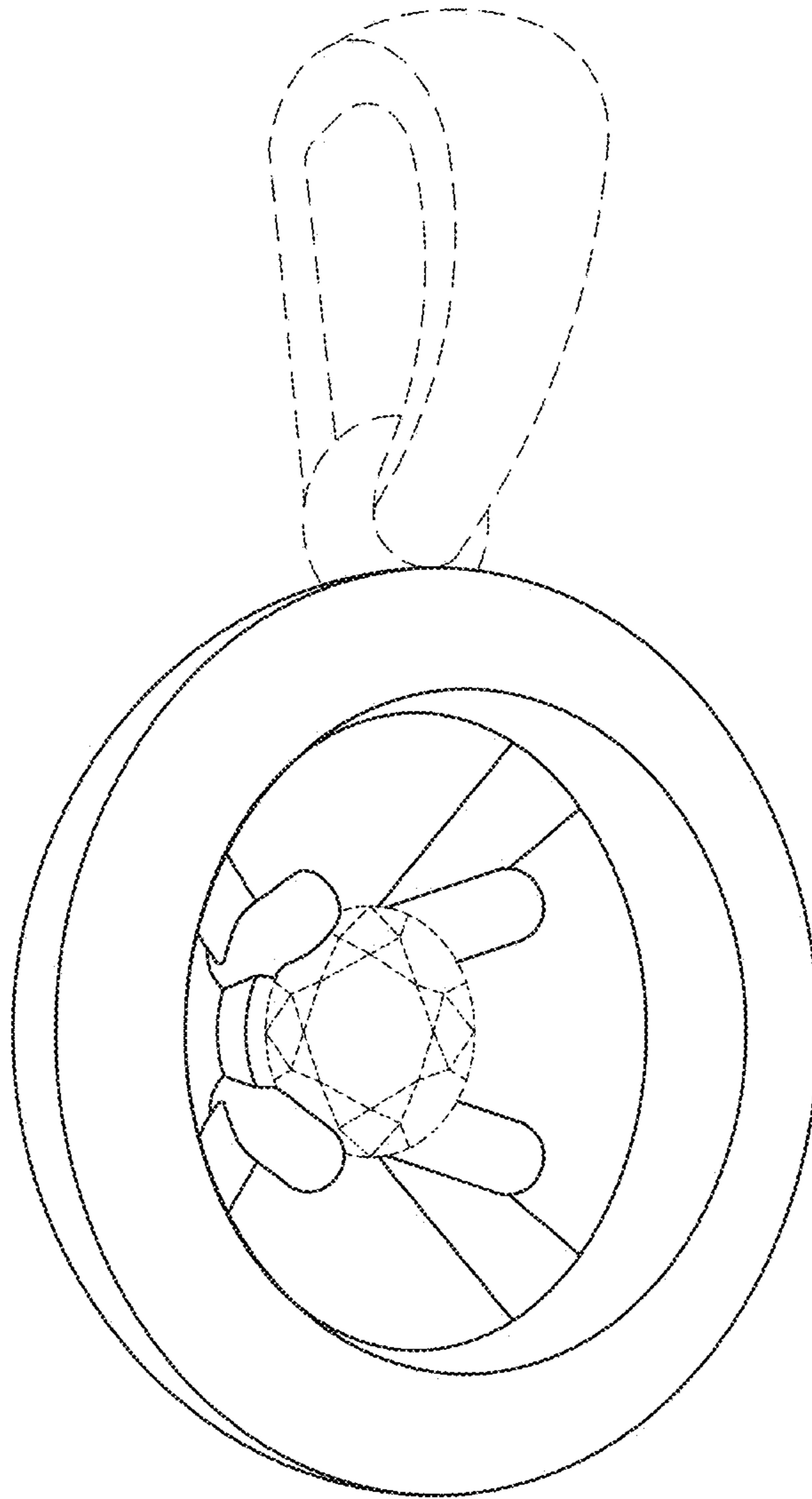


FIG. 2

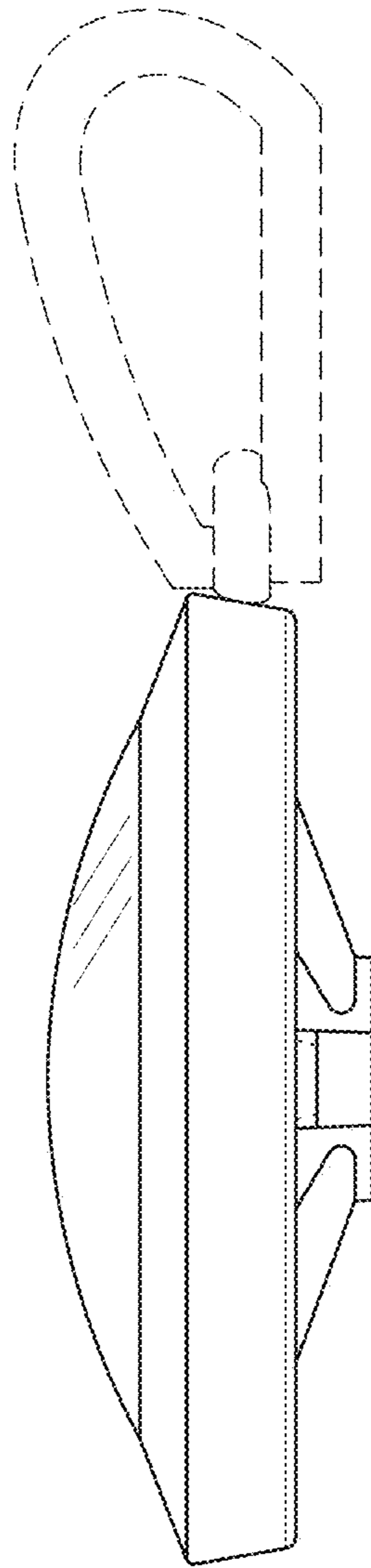


FIG. 3

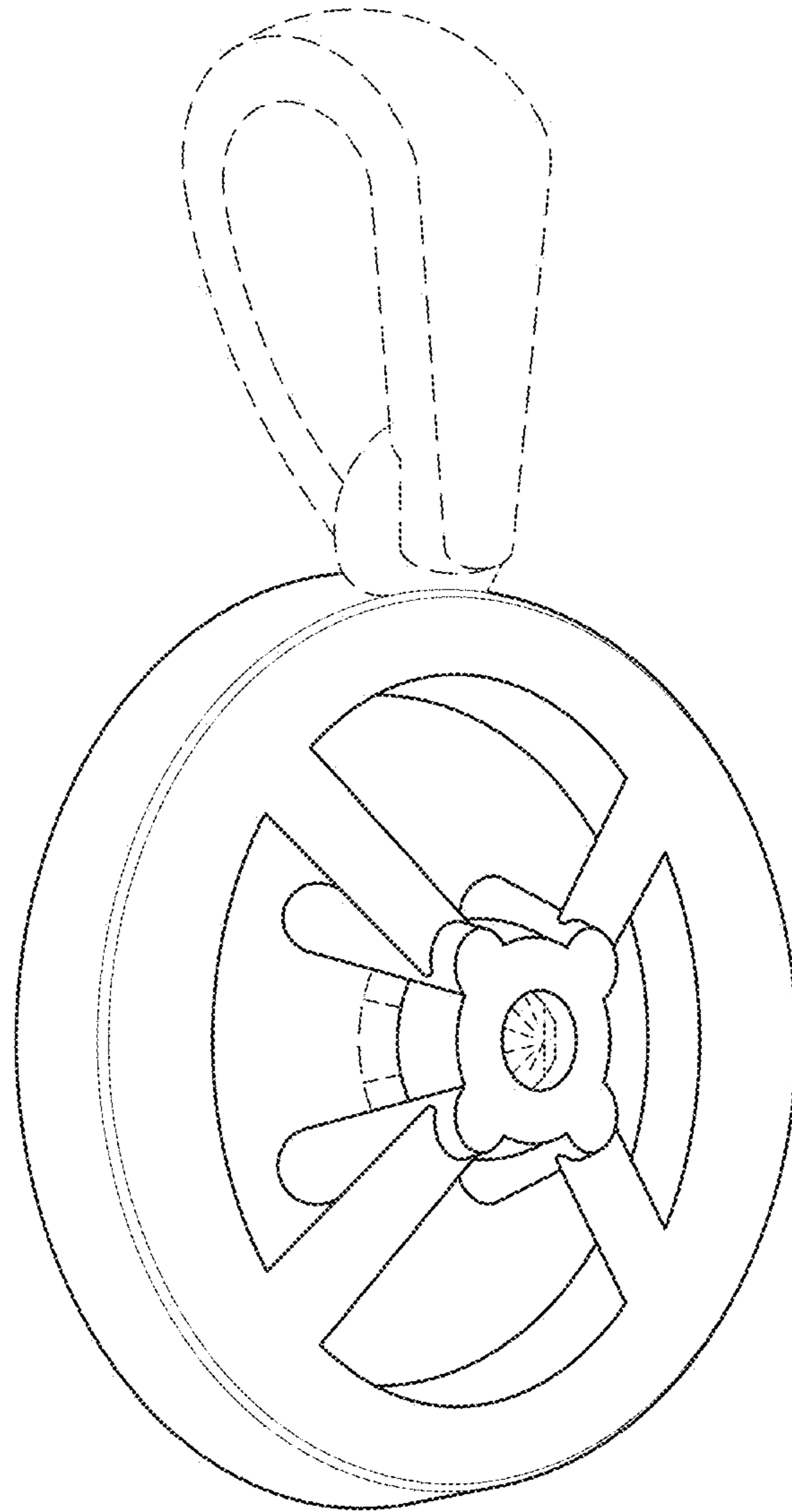


FIG. 4

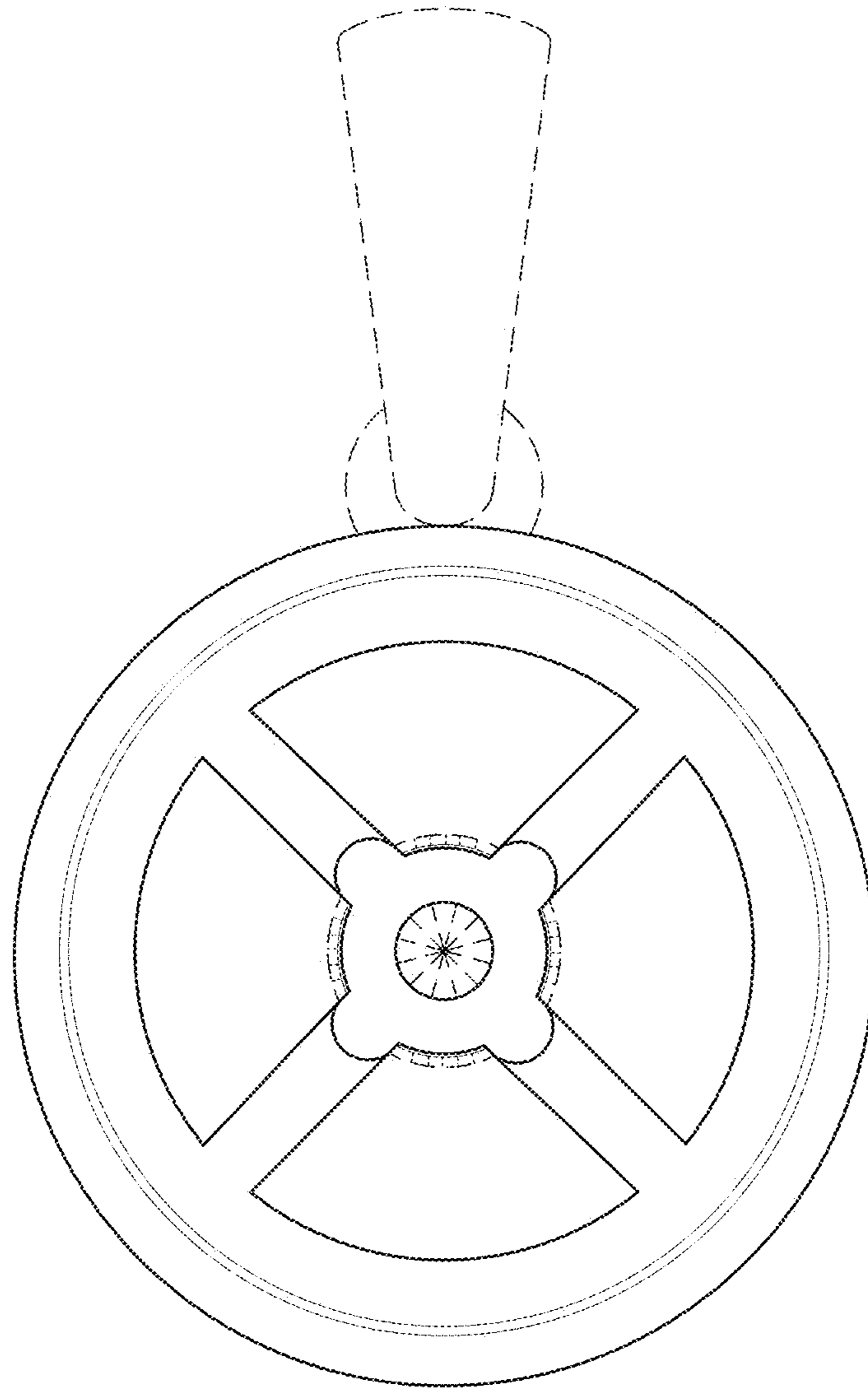


FIG. 5