



US00D899963S

(12) **United States Design Patent** (10) **Patent No.:** **US D899,963 S**
Shah (45) **Date of Patent:** **** Oct. 27, 2020**

(54) **PRECIOUS STONE SETTING**
(71) Applicant: **KGS Jewels Inc.**, New York, NY (US)
(72) Inventor: **Pranav Shah**, New York, NY (US)
(73) Assignee: **KGS JEWELS INC.**, New York, NY (US)
(**) Term: **15 Years**
(21) Appl. No.: **29/698,548**
(22) Filed: **Jul. 17, 2019**

Related U.S. Application Data

(62) Division of application No. 29/656,883, filed on Jul. 17, 2018.
(51) **LOC (12) Cl.** **11-01**
(52) **U.S. Cl.**
USPC **D11/91**
(58) **Field of Classification Search**
USPC D11/1-3, 26, 34-37, 40, 41, 43, 79, 90, D11/91, 92
CPC A44C 1/00; A44C 17/00; A44C 17/001; A44C 17/002; A44C 17/005; A44C 17/006; A44C 17/007; A44C 17/02; A44C 17/04; A44C 9/00
See application file for complete search history.

(56) **References Cited**

U.S. PATENT DOCUMENTS

D68,641 S * 11/1925 Robbins D11/34
D68,642 S * 11/1925 Robbins D11/34
D68,644 S * 11/1925 Robbins D11/34
D88,265 S * 11/1932 Stern D11/90
D88,266 S * 11/1932 Stern D11/90
D191,757 S 11/1961 Jacobi et al.
D410,407 S 6/1999 Tirakian
D422,935 S 4/2000 Chan

D445,058 S * 7/2001 Kaplan D11/91
D453,908 S * 2/2002 Kaplan D11/91
D454,090 S * 3/2002 Kaplan D11/91
D460,017 S 7/2002 Chan
D481,328 S 10/2003 Chia
D498,169 S * 11/2004 Pinto D11/79
D504,348 S * 4/2005 Kothari D11/91
D505,092 S * 5/2005 Kothari D11/91
D505,093 S * 5/2005 Kothari D11/91
D522,402 S * 6/2006 Johari D11/91
D542,169 S * 5/2007 Johari D11/34
D544,809 S 6/2007 Shah
D549,128 S 8/2007 Kothari
D549,612 S 8/2007 Kothari
D583,274 S * 12/2008 Steshik D11/91
D583,276 S * 12/2008 Steshik D11/91
D584,184 S 1/2009 Dholakiya
D587,159 S 2/2009 Dholakiya
7,707,722 B1 5/2010 Kothari
D647,423 S 10/2011 Khimavat
D647,817 S * 11/2011 Kothari D11/40

(Continued)

Primary Examiner — Llorelys Martinez

(74) Attorney, Agent, or Firm — Ostrolenk Faber LLP

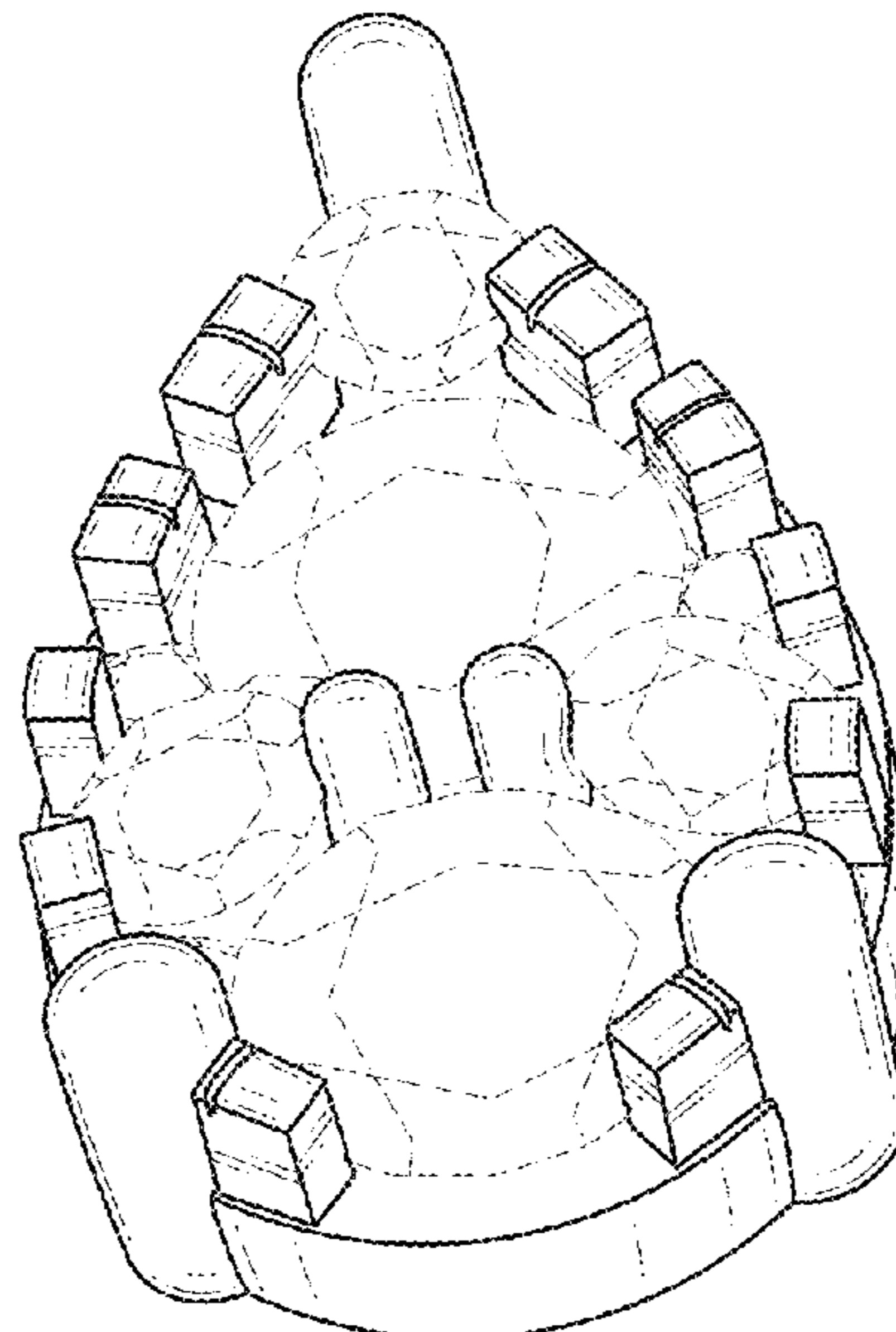
(57) **CLAIM**

The ornamental design for a precious stone setting, as shown and described.

DESCRIPTION

FIG. 1 is a perspective view of a precious stone setting showing my new design; FIG. 2 is a top plan view of FIG. 1; FIG. 3 is a right side view of FIG. 1, the left side view being symmetrical thereto; FIG. 4 is a front view of FIG. 1; and, FIG. 5 is a rear view of FIG. 1. The broken lines in the drawings illustrate portions of the precious stone setting that form no part of the claimed design.

1 Claim, 2 Drawing Sheets



(56)

References Cited

U.S. PATENT DOCUMENTS

D655,219	S	3/2012	Kothari	
D666,522	S	9/2012	Dholakiya	
D666,523	S	9/2012	Dholakiya	
D672,270	S	12/2012	Wong	
D674,315	S	1/2013	Dholakiya	
D674,316	S	1/2013	Dholakiya	
D676,352	S *	2/2013	Dholakiya	D11/40
D676,785	S *	2/2013	Kothari	D11/40
D680,898	S	4/2013	Dholakiya	
D682,139	S	5/2013	Kothari	
D688,587	S *	8/2013	Nevatia	D11/40
D798,761	S *	10/2017	Shah	D11/91
D824,799	S *	8/2018	Sallard	D11/91
D836,021	S *	12/2018	Bonoli	D11/91
D840,866	S	2/2019	Parikh	
D851,536	S *	6/2019	Bhosale	D11/91
D874,324	S *	2/2020	Bonoli	D11/91
D874,325	S *	2/2020	Bonoli	D11/91
D885,246	S *	5/2020	Shah	D11/91
10,646,010	B2 *	5/2020	Rutgerson	A44C 17/02
2016/0021993	A1 *	1/2016	Nevatia	A44C 17/02 63/28
2019/0008244	A1	1/2019	Rutgerson	

* cited by examiner

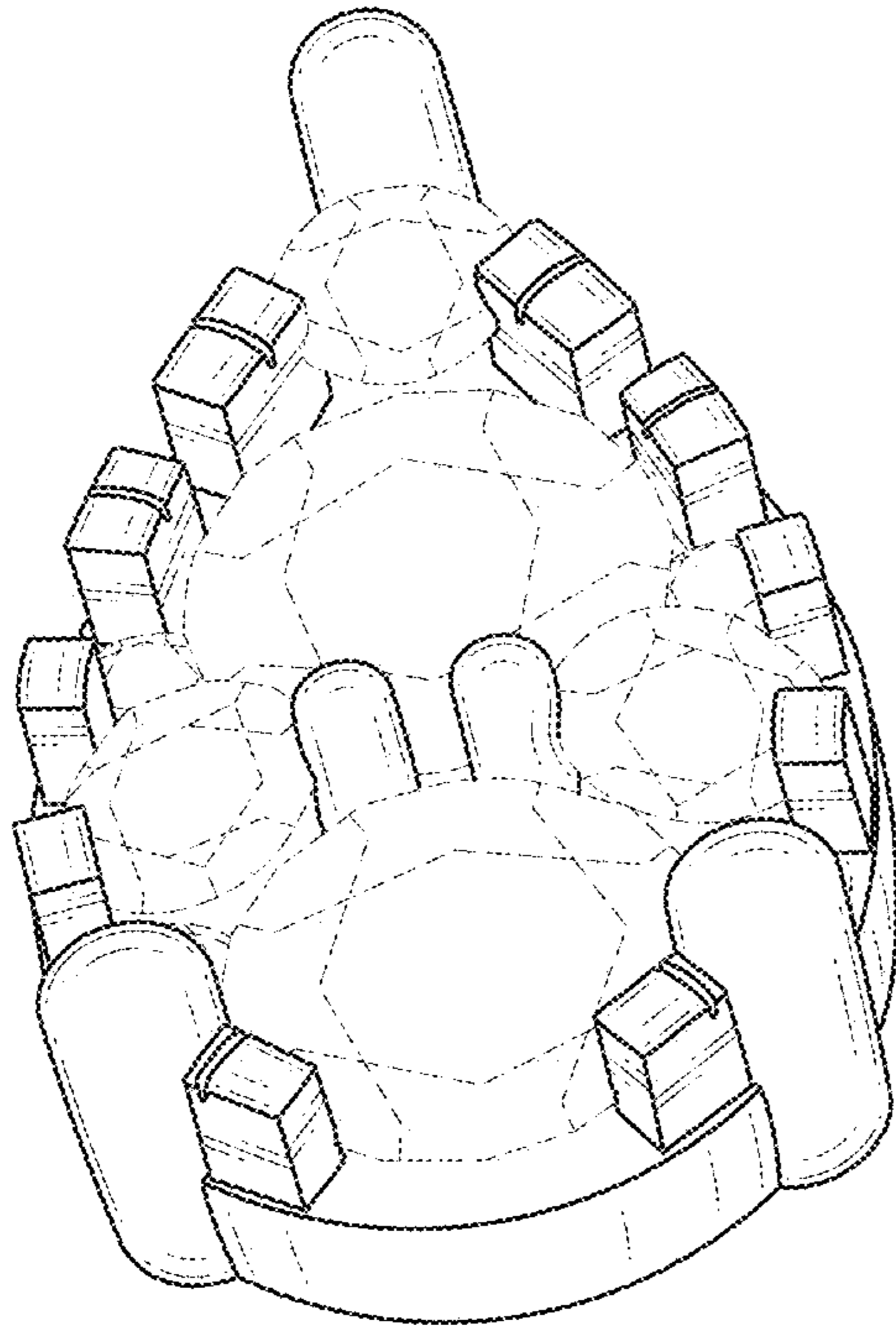


FIG. 1

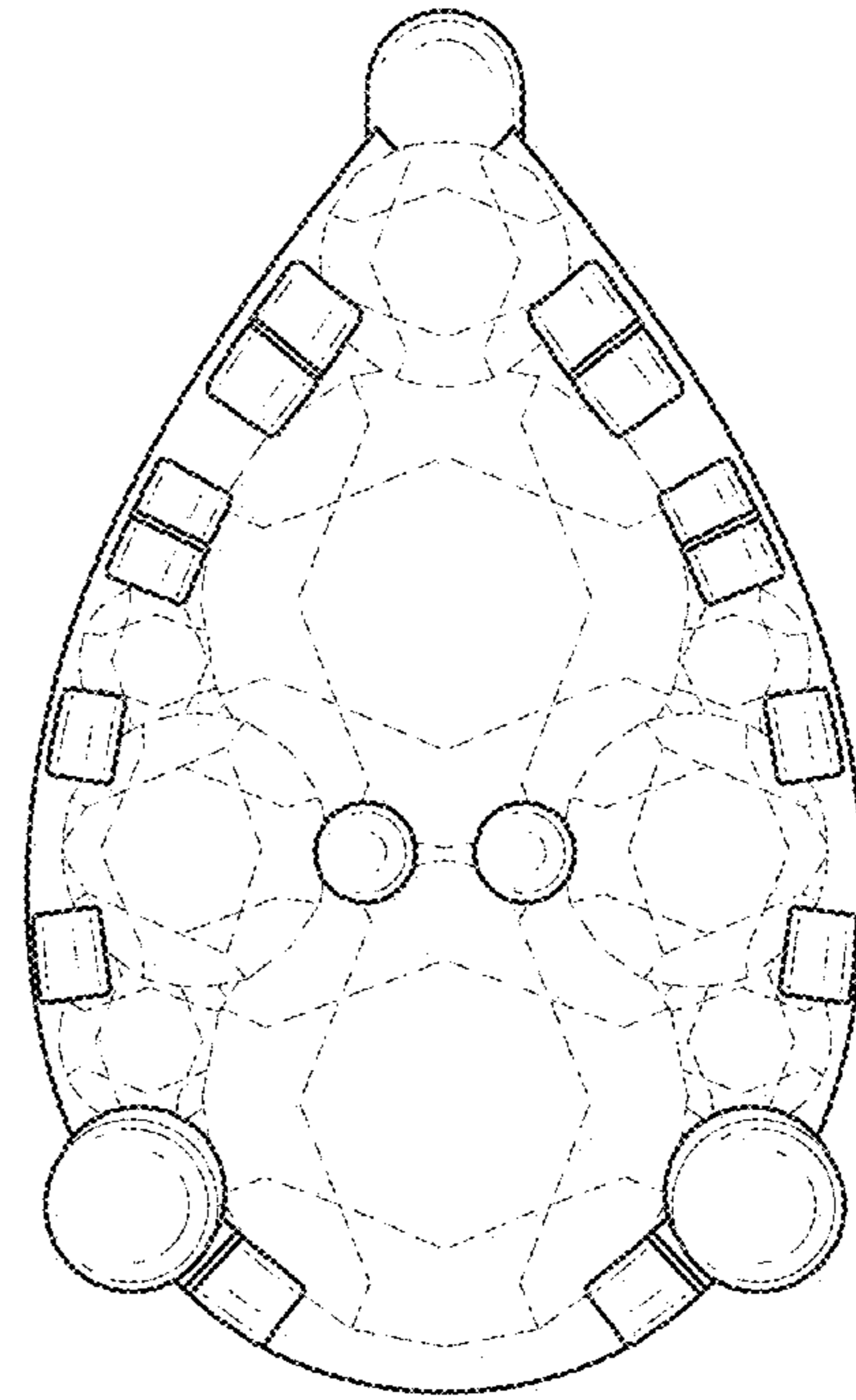


FIG. 2

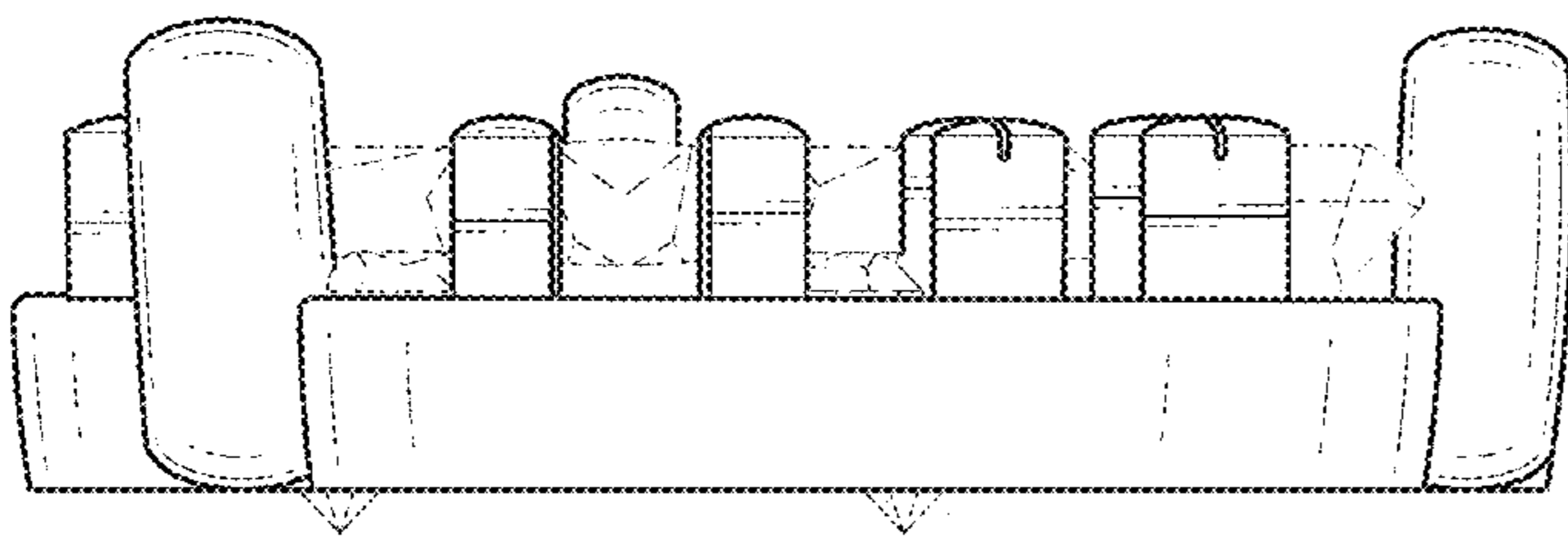


FIG. 3

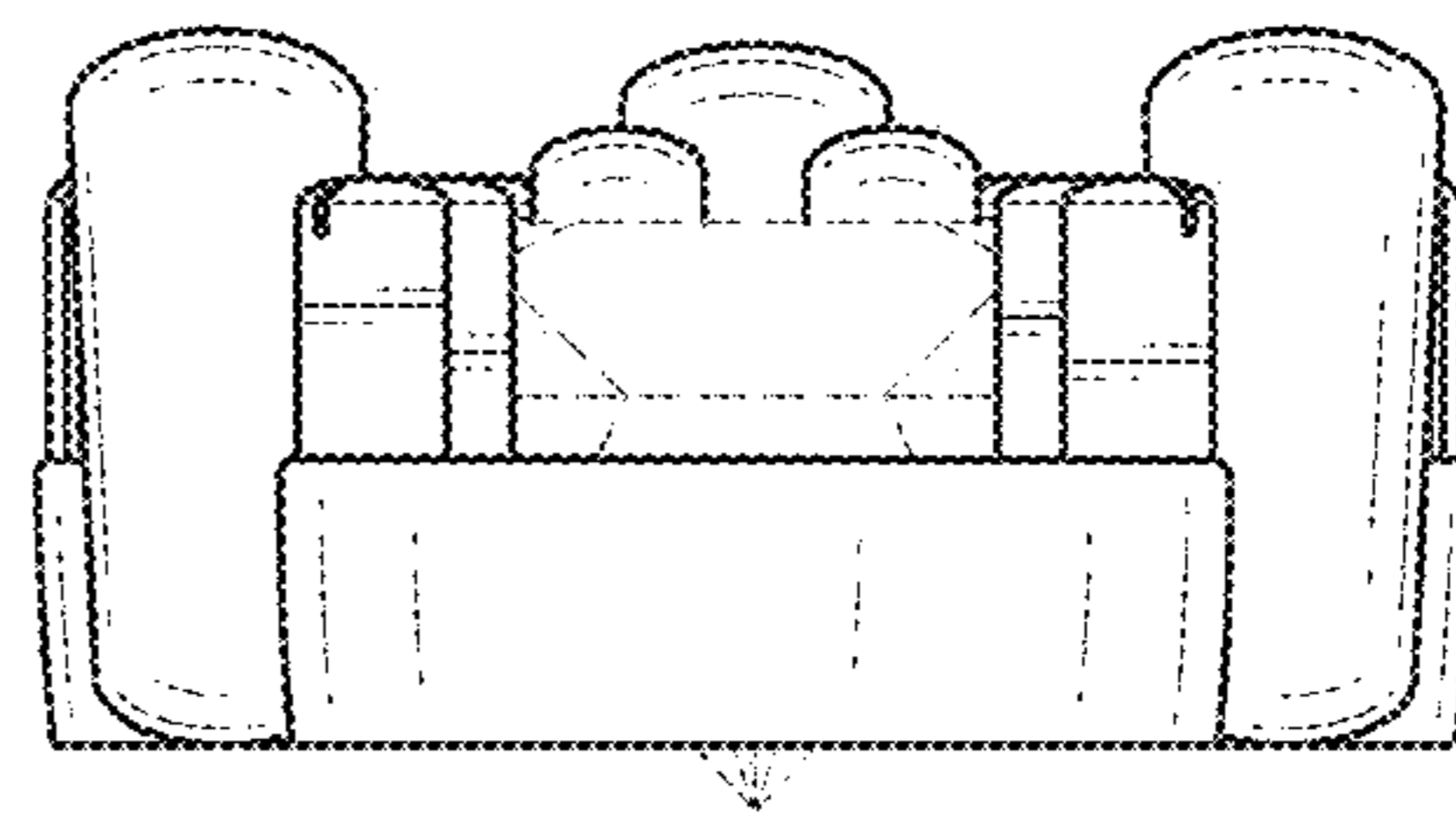


FIG. 4

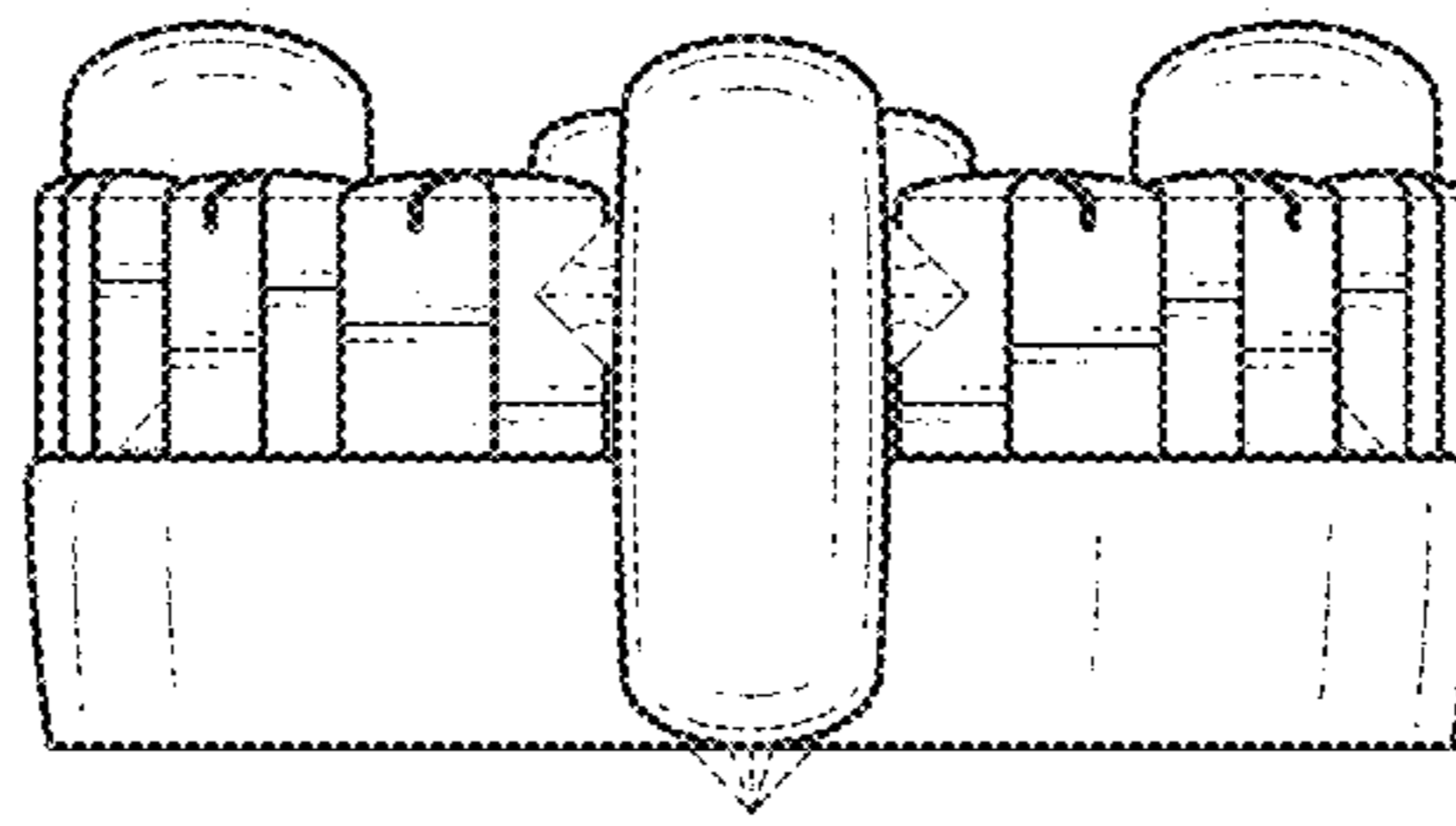


FIG. 5