

US00D899962S

(12) **United States Design Patent** (10) **Patent No.:** **US D899,962 S**
Shah (45) **Date of Patent:** **** Oct. 27, 2020**

- (54) **PRECIOUS STONE SETTING**
- (71) Applicant: **KGS Jewels Inc.**, New York, NY (US)
- (72) Inventor: **Pranav Shah**, New York, NY (US)
- (73) Assignee: **KGS JEWELS INC.**, New York, NY (US)
- (**) Term: **15 Years**
- (21) Appl. No.: **29/698,540**
- (22) Filed: **Jul. 17, 2019**

D445,058 S *	7/2001	Kaplan	D11/91
D453,908 S	2/2002	Kaplan		
D454,090 S	3/2002	Kaplan		
D460,017 S	7/2002	Chan		
D460,018 S *	7/2002	Chan	D11/92
D481,328 S	10/2003	Chia		
D498,169 S *	11/2004	Pinto	D11/79
D504,348 S *	4/2005	Kothari	D11/91
D505,092 S	5/2005	Kothari		
D505,093 S *	5/2005	Kothari	D11/91
D544,809 S	6/2007	Shah		
D549,128 S	8/2007	Kothari		
D549,612 S	8/2007	Kothari		
D583,274 S *	12/2008	Steshik	D11/91
D583,276 S *	12/2008	Steshik	D11/91
D584,184 S	1/2009	Dholakiya		
D587,159 S	2/2009	Dholakiya		
7,707,722 B1	5/2010	Kothari		
D641,651 S *	7/2011	Kothari	D11/91
D647,423 S	10/2011	Khimavat		
D647,817 S	11/2011	Kothari		

Related U.S. Application Data

- (62) Division of application No. 29/656,883, filed on Jul. 17, 2018.
- (51) **LOC (12) Cl.** **11-01**
- (52) **U.S. Cl.**
USPC **D11/91**
- (58) **Field of Classification Search**
USPC D11/1-3, 26, 34-37, 40, 41, 43, 79, 90, D11/91, 92
CPC A44C 1/00; A44C 17/00; A44C 17/001; A44C 17/002; A44C 17/005; A44C 17/006; A44C 17/007; A44C 17/02; A44C 17/04; A44C 9/00
See application file for complete search history.

References Cited

U.S. PATENT DOCUMENTS

D68,641 S *	11/1925	Robbins	D11/34
D68,642 S *	11/1925	Robbins	D11/34
D68,644 S *	11/1925	Robbins	D11/34
D88,265 S *	11/1932	Stern	D11/91
D88,266 S *	11/1932	Stern	D11/91
D191,757 S	11/1961	Jacobi et al.		
D410,407 S	6/1999	Tirakian		
D422,935 S	4/2000	Chan		

(Continued)

Primary Examiner — Llorelys Martinez

(74) Attorney, Agent, or Firm — Ostrolenk Faber LLP

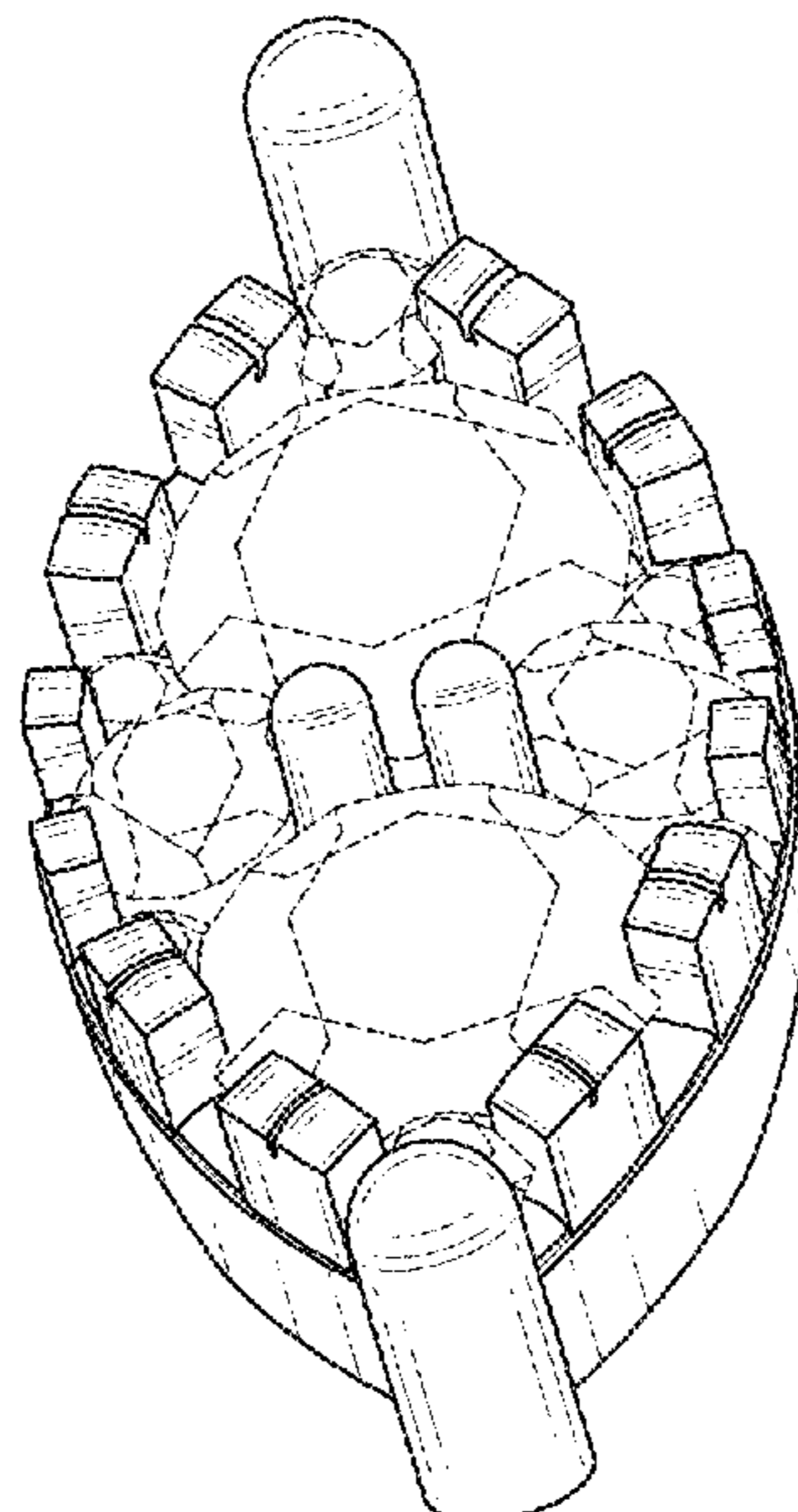
(57) **CLAIM**

The ornamental design for a precious stone setting, as shown and described.

DESCRIPTION

FIG. 1 is a perspective view of a precious stone setting showing my new design;
 FIG. 2 is a top plan view of FIG. 1;
 FIG. 3 is a right side view of FIG. 1, the left side view being symmetrical thereto; and,
 FIG. 4 is a front view of FIG. 1, the rear view being symmetrical thereto.
 The broken lines in the drawings illustrate portions of the precious stone setting that form no part of the claimed design.

1 Claim, 2 Drawing Sheets



(56)

References Cited

U.S. PATENT DOCUMENTS

D655,219 S 3/2012 Kothari
 D666,522 S 9/2012 Dholakiya
 D666,523 S 9/2012 Dholakiya
 D672,270 S 12/2012 Wong
 D674,315 S 1/2013 Dholakiya
 D674,316 S 1/2013 Dholakiya
 D676,352 S 2/2013 Dholakiya
 D676,785 S 2/2013 Kothari
 D680,898 S 4/2013 Dholakiya
 D682,139 S 5/2013 Kothari
 D688,587 S 8/2013 Nevatia
 D697,451 S * 1/2014 Dholakiya D11/91
 D697,831 S * 1/2014 Dholakiya D11/91
 D703,090 S * 4/2014 Dholakiya D11/91
 D703,091 S * 4/2014 Dholakiya D11/91
 D705,115 S * 5/2014 Doron D11/92
 D712,302 S * 9/2014 Dholakiya D11/91
 D798,761 S * 10/2017 Shah D11/91
 D804,984 S * 12/2017 Shah D11/91

D824,799 S 8/2018 Sallard
 D826,081 S * 8/2018 Shah D11/91
 D833,908 S * 11/2018 Yep D11/91
 D836,021 S * 12/2018 Bonoli D11/91
 D840,263 S * 2/2019 Matatov D11/91
 D840,866 S 2/2019 Parikh
 D849,594 S * 5/2019 Pereira D11/92
 D851,536 S * 6/2019 Bhosale D11/91
 D851,537 S * 6/2019 Shah D11/92
 D858,343 S * 9/2019 Shah D11/91
 D874,324 S * 2/2020 Bonoli D11/91
 D874,325 S * 2/2020 Bonoli D11/91
 D885,246 S * 5/2020 Shah D11/91
 10,646,010 B2 * 5/2020 Rutgerson A44C 17/02
 2016/0021993 A1 * 1/2016 Nevatia A44C 17/02
 63/28
 2017/0020245 A1 * 1/2017 Parikh A44C 17/02
 2017/0224067 A1 * 8/2017 Shah A44C 17/02
 2018/0008020 A1 * 1/2018 Dholakiya A44C 9/00
 2019/0008244 A1 1/2019 Rutgerson
 2019/0343248 A1 * 11/2019 Shah A44C 17/046

* cited by examiner

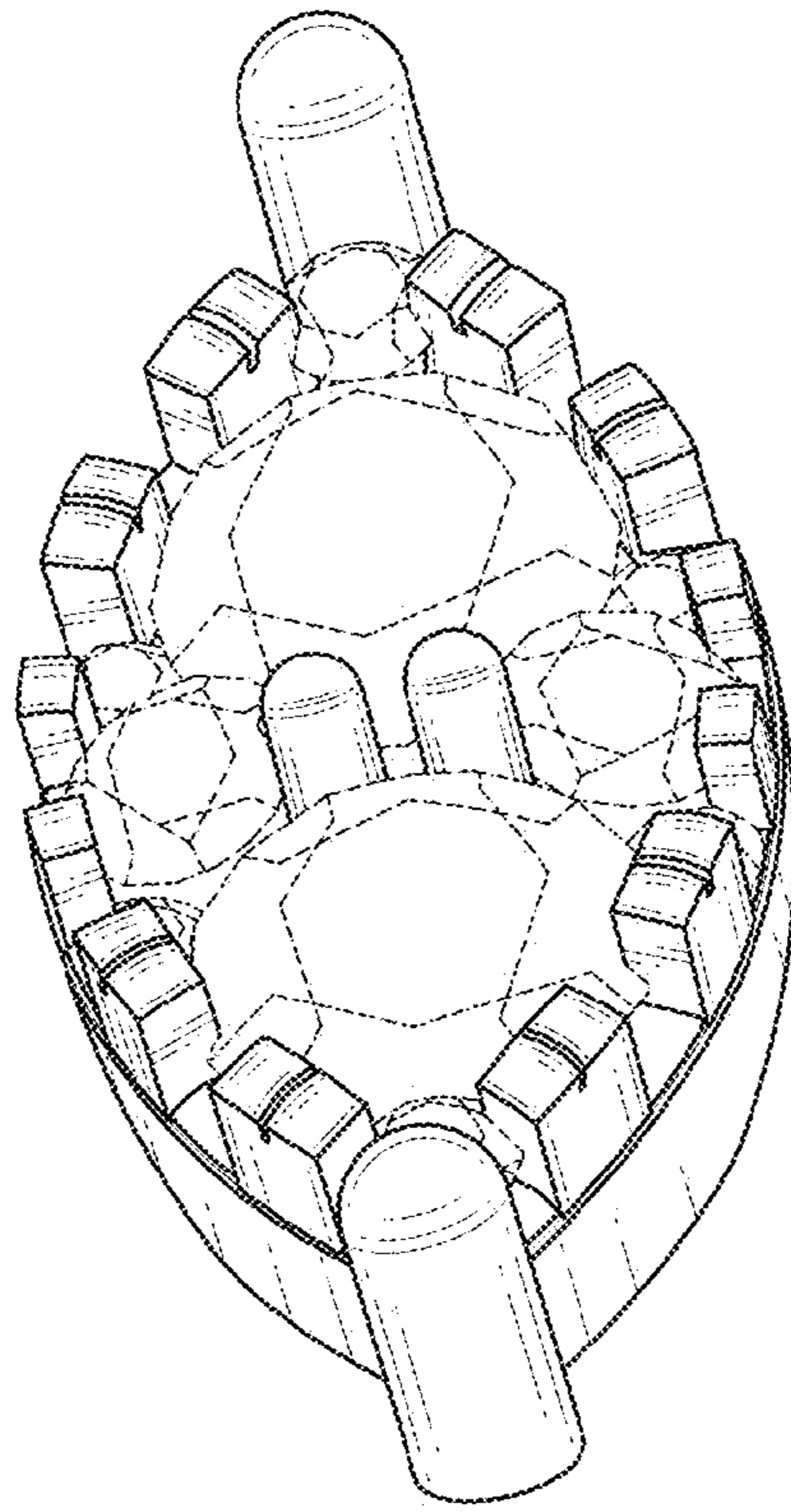


FIG. 1

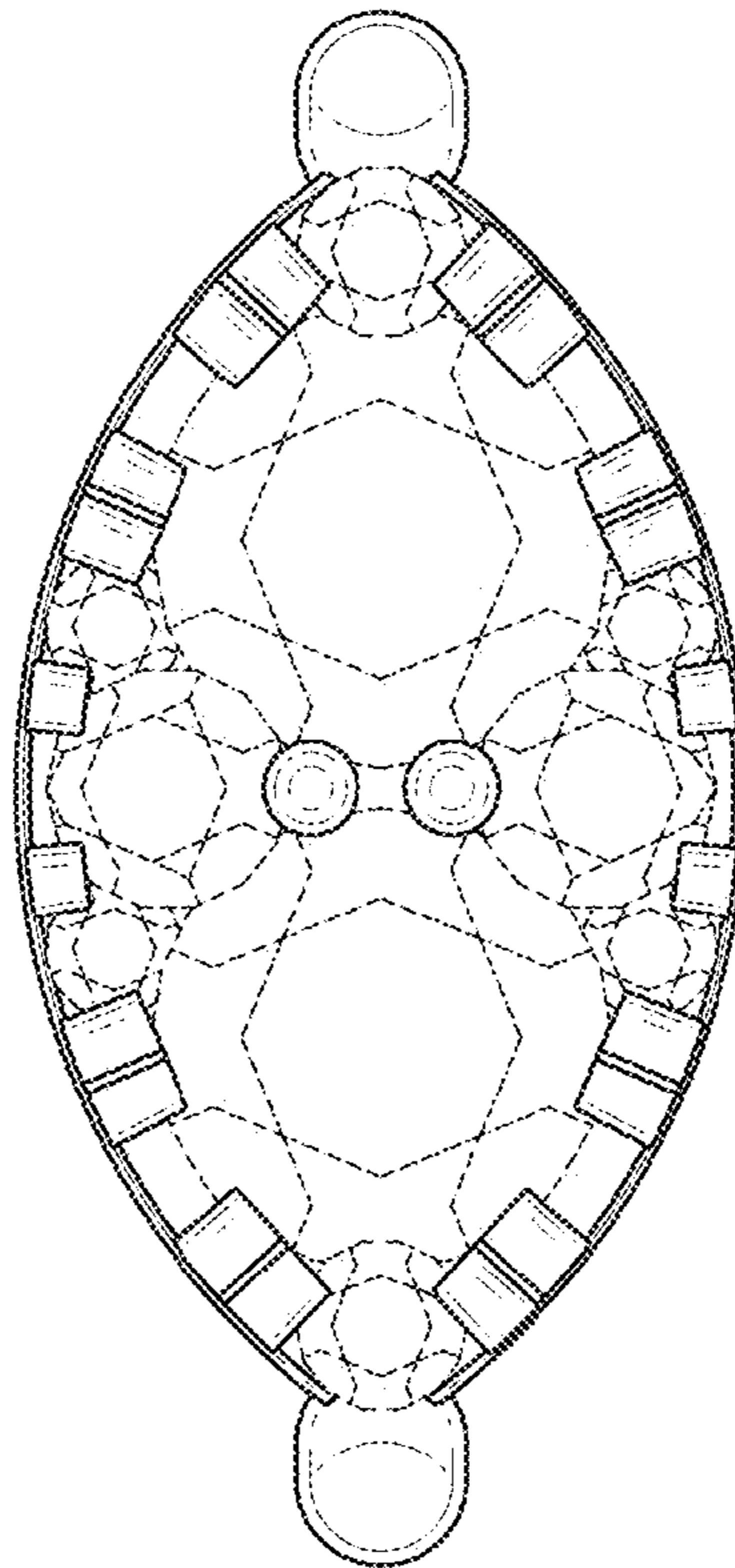


FIG. 2

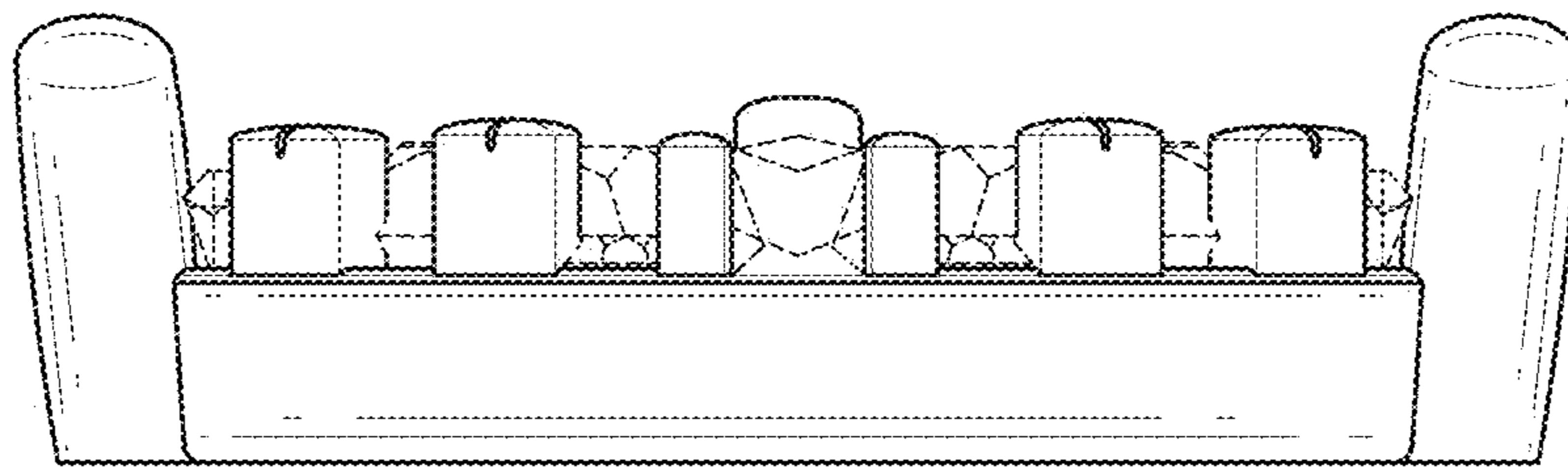


FIG. 3

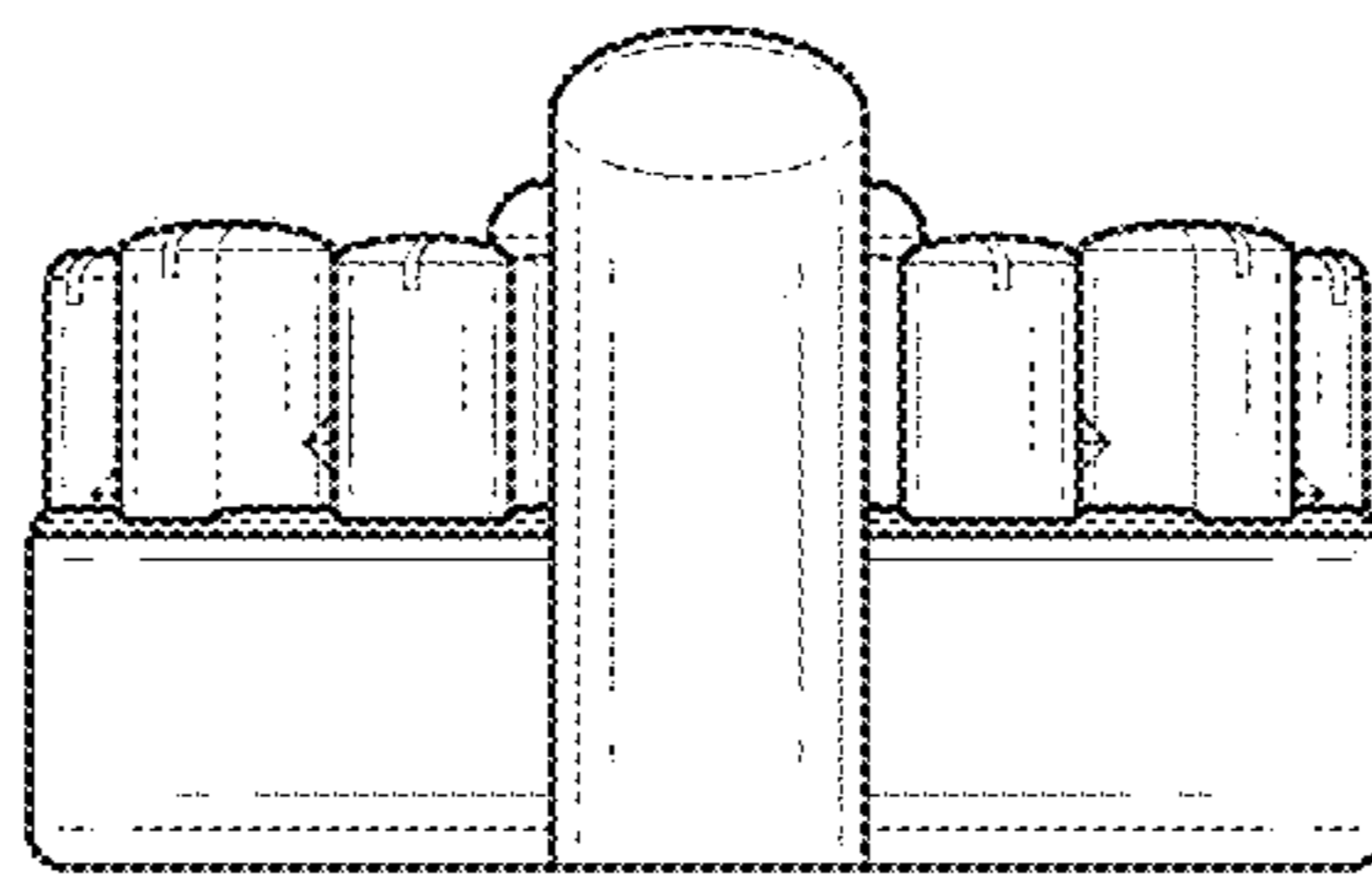


FIG. 4