



US00D899961S

(12) **United States Design Patent**  
**Slimane**

(10) **Patent No.:** **US D899,961 S**

(45) **Date of Patent:** **\*\* Oct. 27, 2020**

(54) **CLASP**

(71) Applicant: **CELINE**, Paris (FR)

(72) Inventor: **Hedi Slimane**, Paris (FR)

(73) Assignee: **CELINE**, Paris (FR)

(\*\*) Term: **15 Years**

(21) Appl. No.: **29/681,877**

(22) Filed: **Feb. 28, 2019**

(51) **LOC (12) Cl.** ..... **11-01**

(52) **U.S. Cl.**  
USPC ..... **D11/87**

(58) **Field of Classification Search**  
USPC ..... D11/1-2, 7, 40-44, 46-49, 53, 56, 57,  
D11/59-61, 63, 65, 79-83, 86-87, 89-90,  
D11/91-92, 99, 101, 106, 114-116,  
D11/200-201; D8/382  
CPC ..... A44C 5/18; A44C 5/185; A44C 5/2019;  
A44C 5/2033; A44C 5/2095; A44C  
15/00; A44C 15/005  
See application file for complete search history.

6,662,597 B2 \* 12/2003 Vanasse ..... A44C 5/20  
24/574.1

6,715,315 B1 \* 4/2004 Hartgrove ..... A44C 9/003  
63/29.1

D517,940 S \* 3/2006 Stern ..... D11/86

7,543,460 B2 \* 6/2009 Cruise ..... G09F 19/00  
63/21

7,552,600 B2 \* 6/2009 Fields ..... A44C 15/005  
63/3

8,205,471 B2 \* 6/2012 McLees ..... A44C 5/2095  
24/265 H

8,904,821 B1 \* 12/2014 DiPietro ..... A44C 5/2057  
24/303

10,357,085 B2 \* 7/2019 Heller ..... A44C 25/001

\* cited by examiner

*Primary Examiner* — Zenia I Bennett

(74) *Attorney, Agent, or Firm* — Cantor Colburn LLP

(57) **CLAIM**

The ornamental design for a clasp, as shown and described.

**DESCRIPTION**

FIG. 1 is a front, left perspective view of a clasp showing my new design;

FIG. 2 is a front perspective view thereof;

FIG. 3 is a rear perspective view thereof;

FIG. 4 is left side perspective view thereof;

FIG. 5 is a right side perspective view thereof;

FIG. 6 is a bottom plan view thereof; and,

FIG. 7 is a top plan view thereof.

**1 Claim, 7 Drawing Sheets**

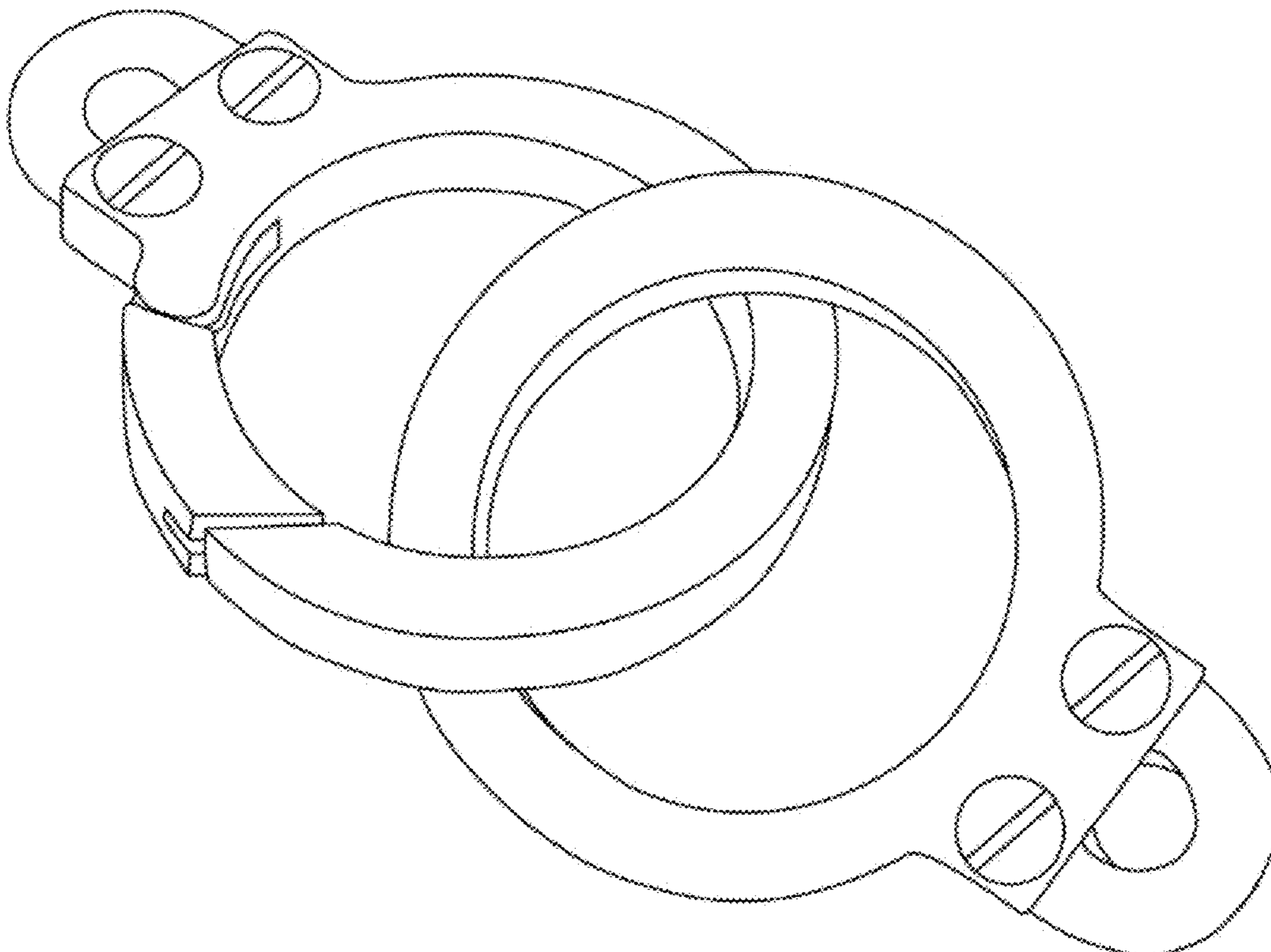
(56) **References Cited**

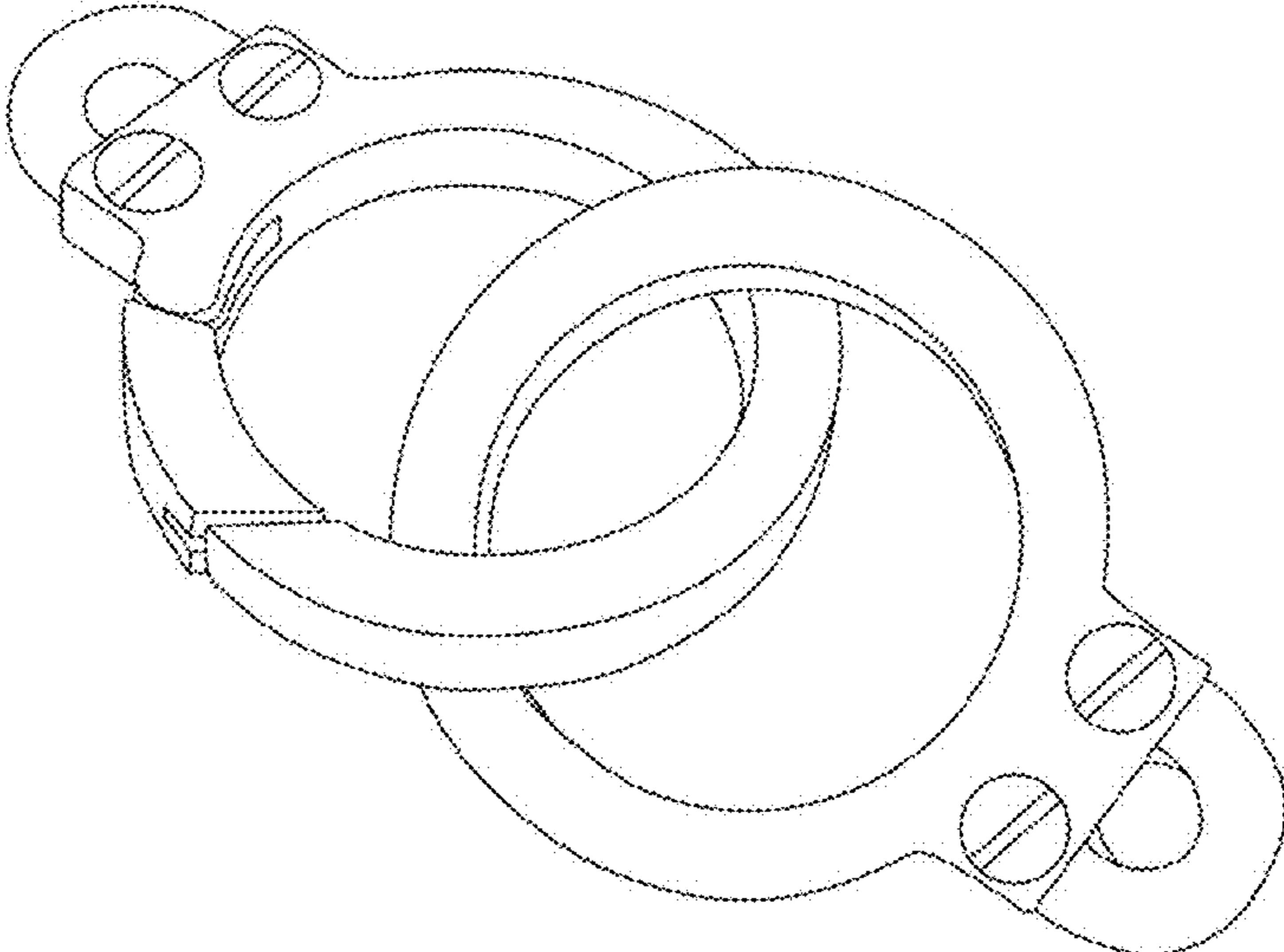
U.S. PATENT DOCUMENTS

D388,356 S \* 12/1997 Lucas, II ..... D11/86

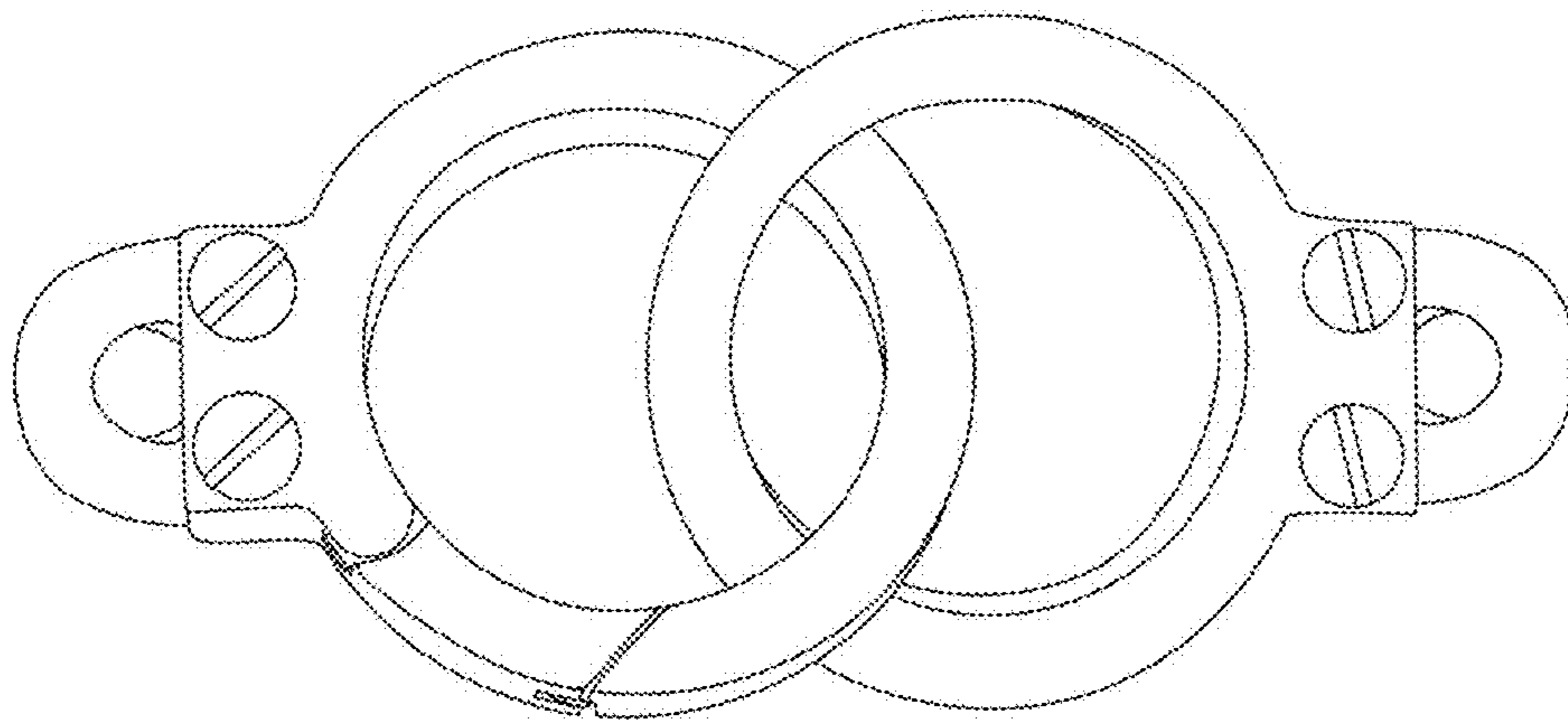
D390,496 S \* 2/1998 Olsen ..... D11/87

6,098,202 A \* 8/2000 Peck ..... A44C 15/00  
2/244

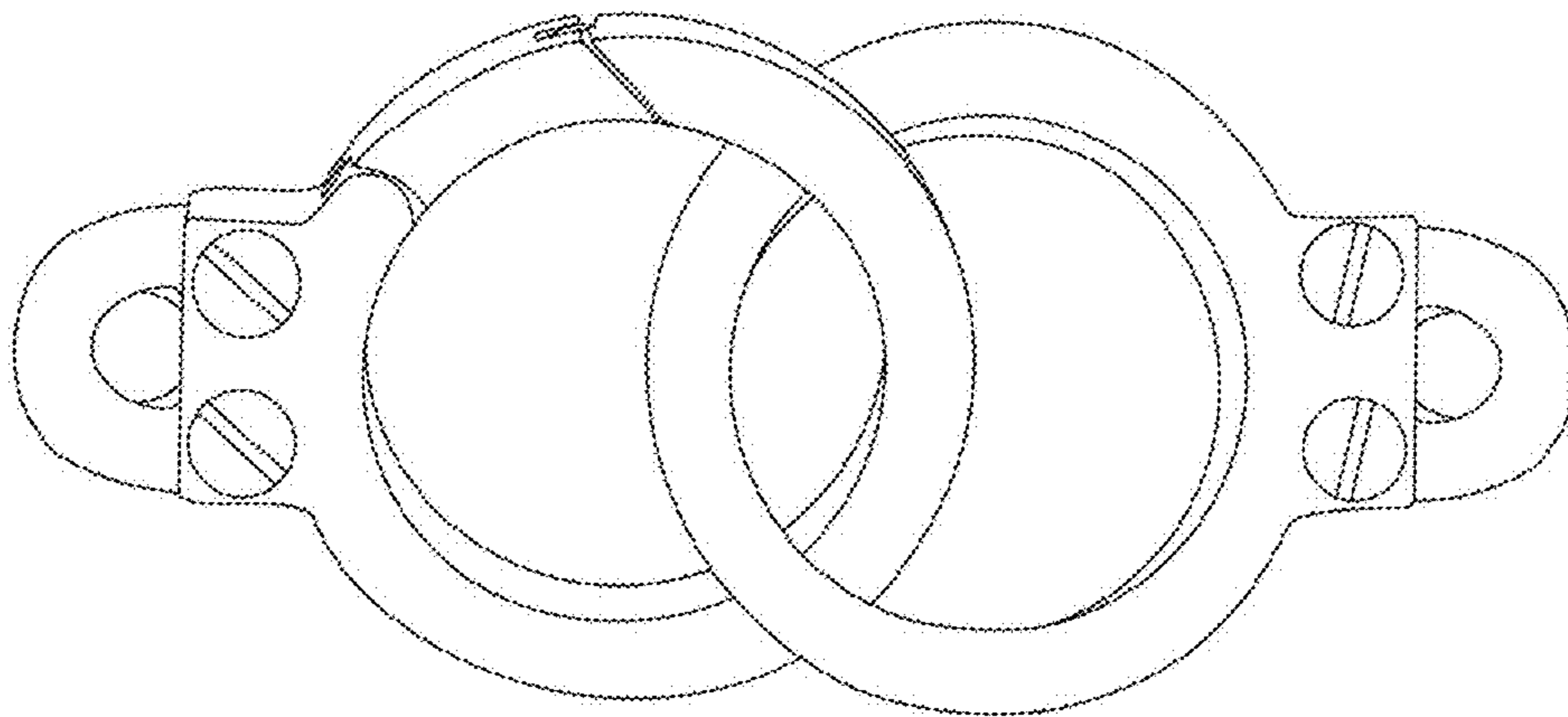




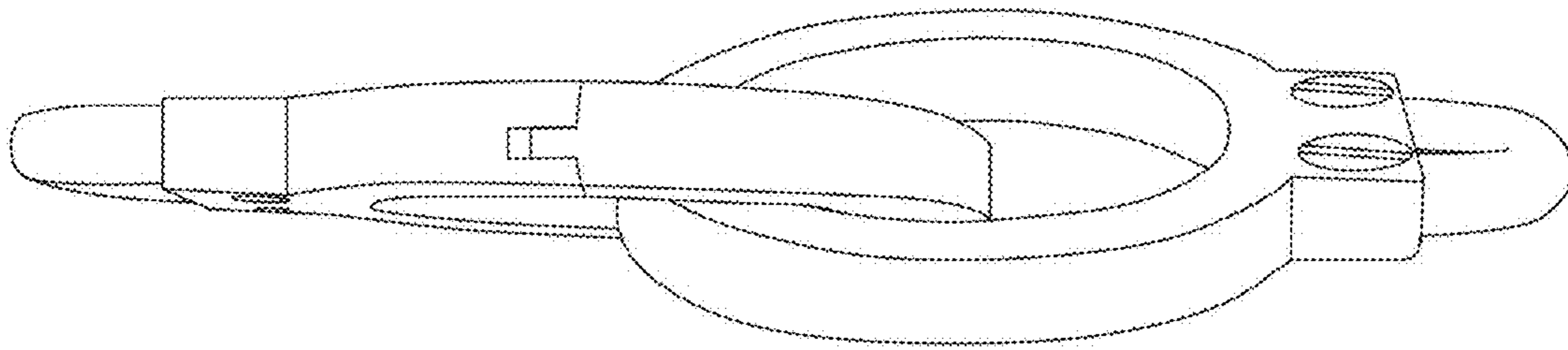
**FIG. 1**



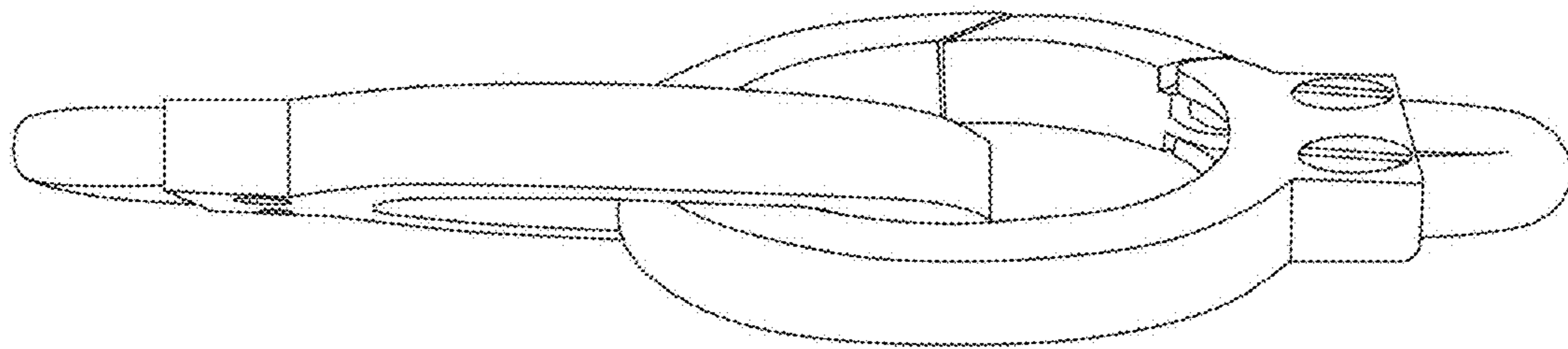
**FIG. 2**



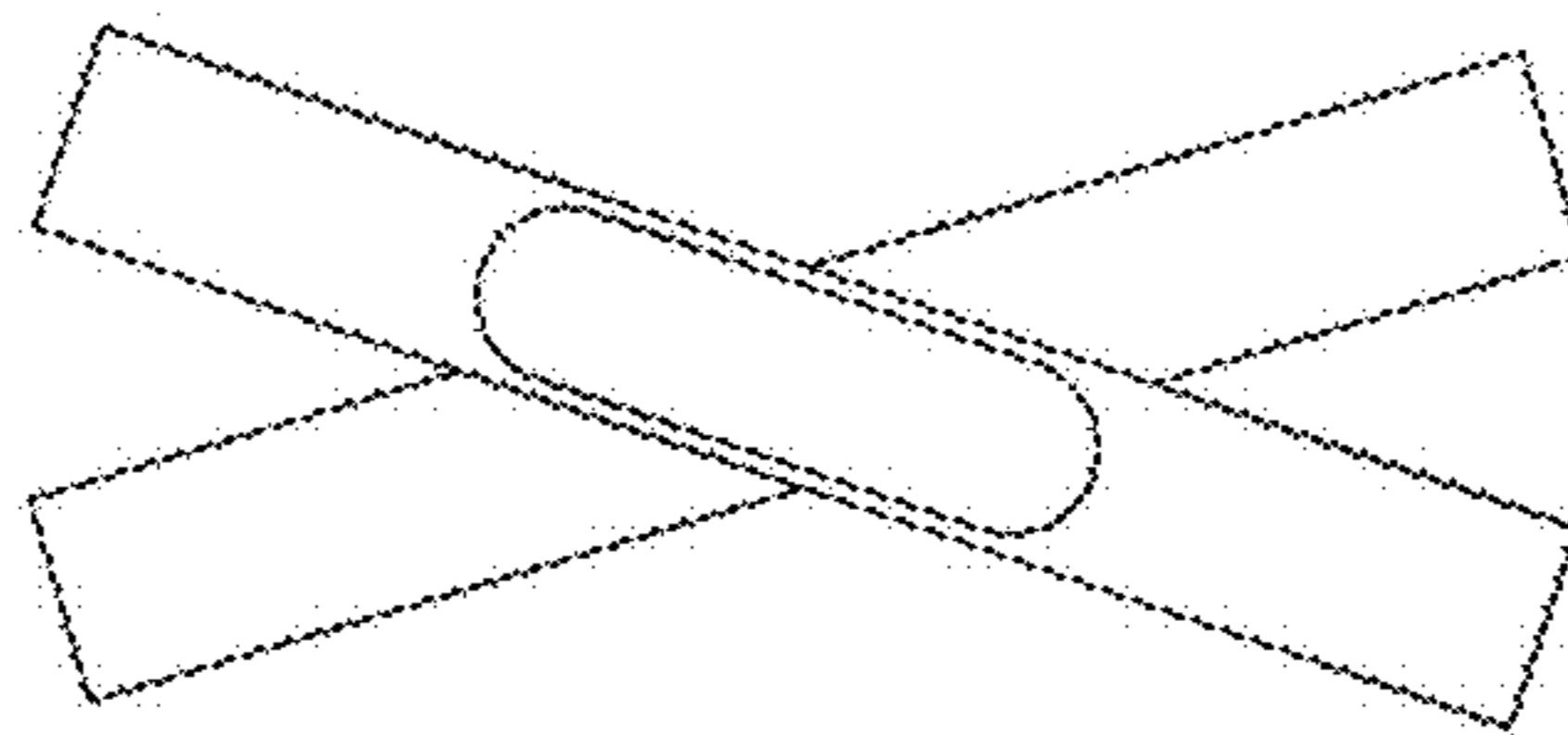
**FIG. 3**



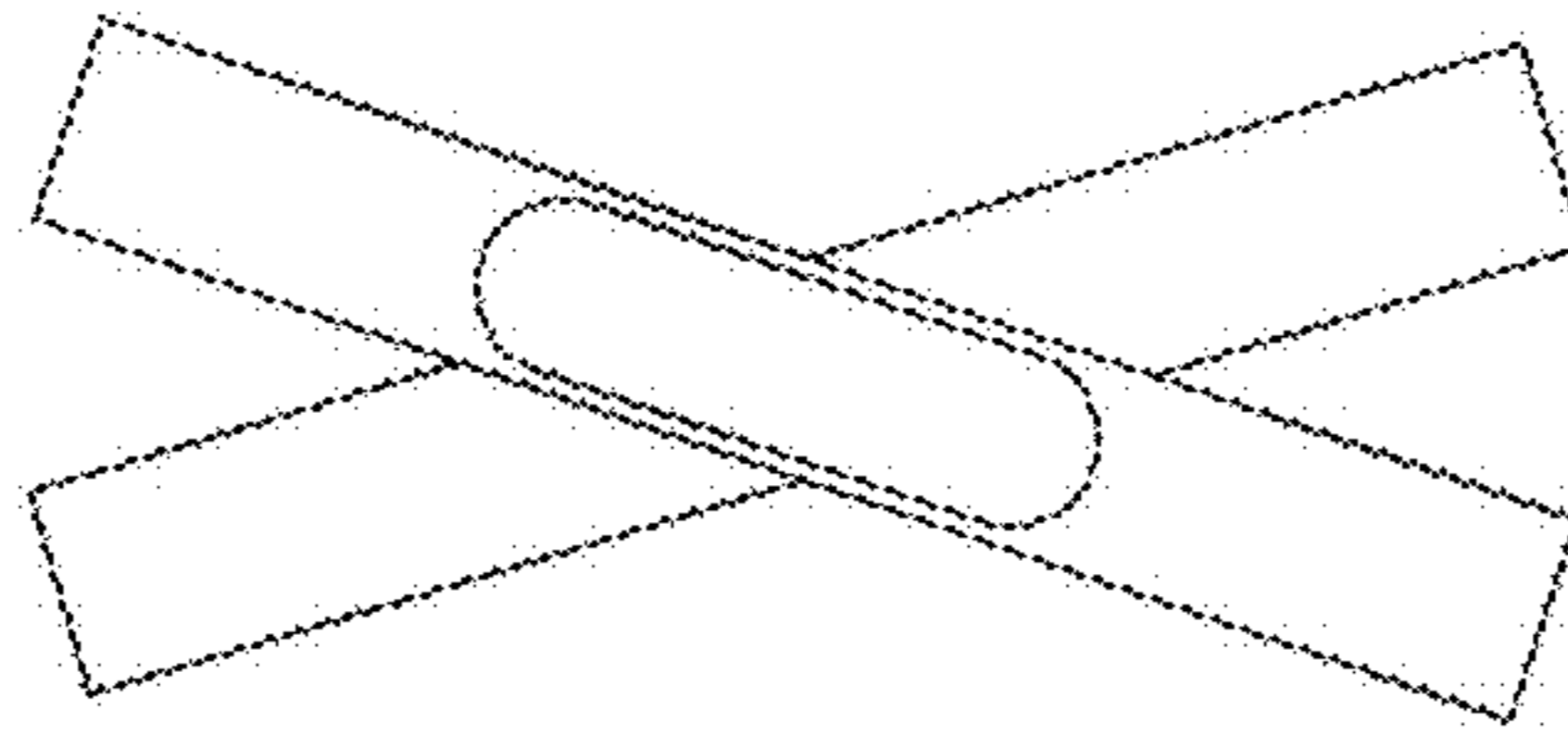
**FIG. 4**



**FIG. 5**



**FIG. 6**



**FIG. 7**