



US00D899959S

(12) **United States Design Patent**
Huang

(10) **Patent No.:** **US D899,959 S**

(45) **Date of Patent:** **** Oct. 27, 2020**

- (54) **CUBIC EAR PENDANT**
- (71) Applicant: **Hongwen Huang**, Jieyang, Guangdong (CN)
- (72) Inventor: **Hongwen Huang**, Guangdong (CN)
- (**) Term: **15 Years**
- (21) Appl. No.: **29/590,182**
- (22) Filed: **Jan. 9, 2017**
- (51) **LOC (12) Cl.** **11-01**
- (52) **U.S. Cl.**
USPC **D11/43; D11/79**
- (58) **Field of Classification Search**
USPC D11/1-7, 16, 40-45, 47-50, 52-54,
D11/56-58, 61, 63, 75-86; D3/207-211
CPC .. A44C 1/00; A44C 5/00; A44C 5/007; A44C
5/02; A44C 7/00; A44C 7/001; A44C
7/002; A44C 7/003; A44C 7/004; A44C
7/005; A44C 7/006; A44C 7/007; A44C
7/008; A44C 7/009; A44C 15/00; A44C
17/00; A44C 17/002; A44C 17/005; A44C
17/02; A44C 17/0208; A44C 17/0215;
A44C 17/0225; A44C 17/0233; A44C
17/0241; A44C 17/0258; A44C 25/00;
A44C 25/001; A44C 25/002; A44C
25/007

See application file for complete search history.

(56) **References Cited**

U.S. PATENT DOCUMENTS

- 2,034,503 A * 3/1936 Barnes A44C 7/008
D11/40
- D163,962 S * 7/1951 Philippe D11/44
- 3,071,938 A * 1/1963 Davidson A44C 7/00
D11/43
- D211,385 S * 6/1968 Dweck D11/40

- 4,086,786 A * 5/1978 Ritter A44C 7/002
63/13
- 4,655,054 A * 4/1987 Roesch A44C 15/001
63/13
- 4,803,852 A * 2/1989 Waldron A44C 7/002
63/13
- D335,264 S * 5/1993 Coleman D11/79
- 5,505,061 A * 4/1996 Fleury, Jr. A44C 7/002
D11/43
- 7,082,788 B1 * 8/2006 Mason A44C 7/002
D11/41
- D567,702 S * 4/2008 Walters D11/53
- D737,717 S * 9/2015 Weems D11/43

OTHER PUBLICATIONS

Amazon.com "SANWOOD Women's Korean Style Square Shaped Cubic Pendant Earrings Ear Studs Jewelry Gift" (online) first listed May 3, 2017. Retrieved from Internet on Jul. 3, 2019, URL:https://www.amazon.com/SANWOOD-Womens-Pendant-Earrings-Jewelry/dp/B0727W43GP (3 pages).*

* cited by examiner

Primary Examiner — Wendy L Arminio

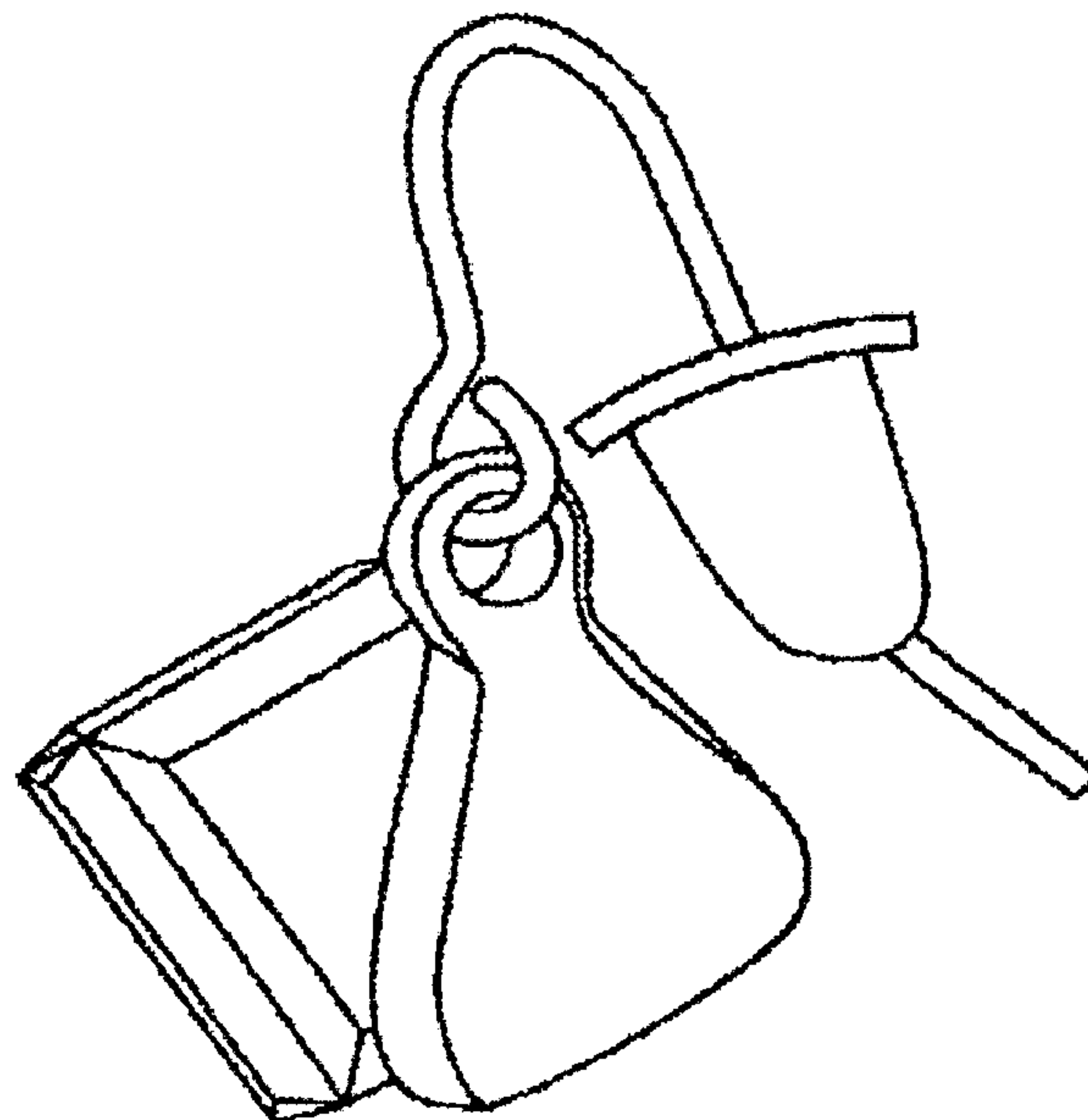
(57) **CLAIM**

The ornamental design for a cubic ear pendant, as shown and described.

DESCRIPTION

FIG. 1 is a front elevation view of a cubic ear pendant; FIG. 2 is a back elevation view thereof; FIG. 3 is a left elevation view thereof; FIG. 4 is a right elevation view thereof; FIG. 5 is a top plan view thereof; FIG. 6 is a bottom plan view thereof; FIG. 7 is a perspective view thereof; and, FIG. 8 is another perspective view thereof.

1 Claim, 8 Drawing Sheets



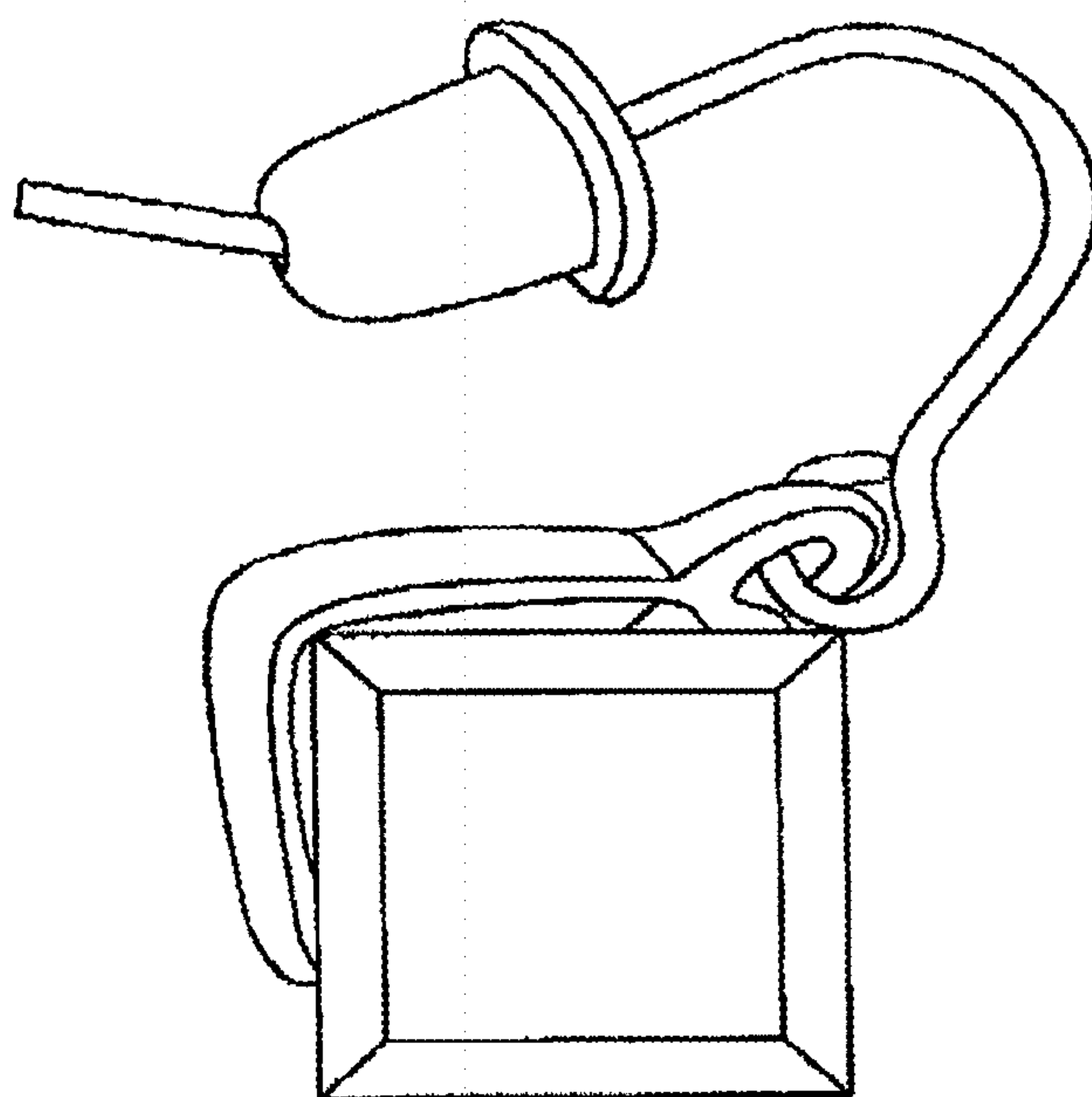


FIG. 1

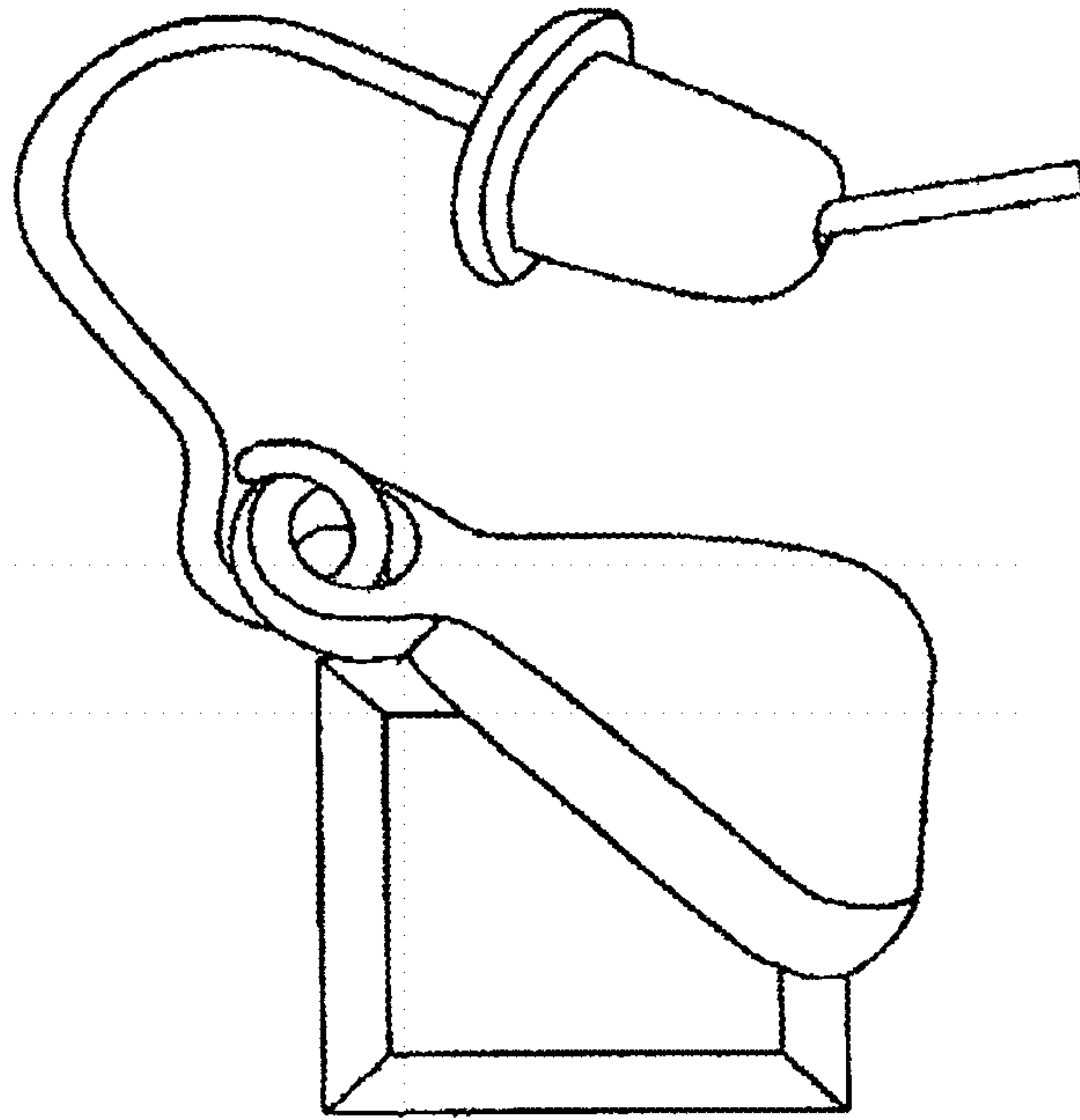


FIG. 2

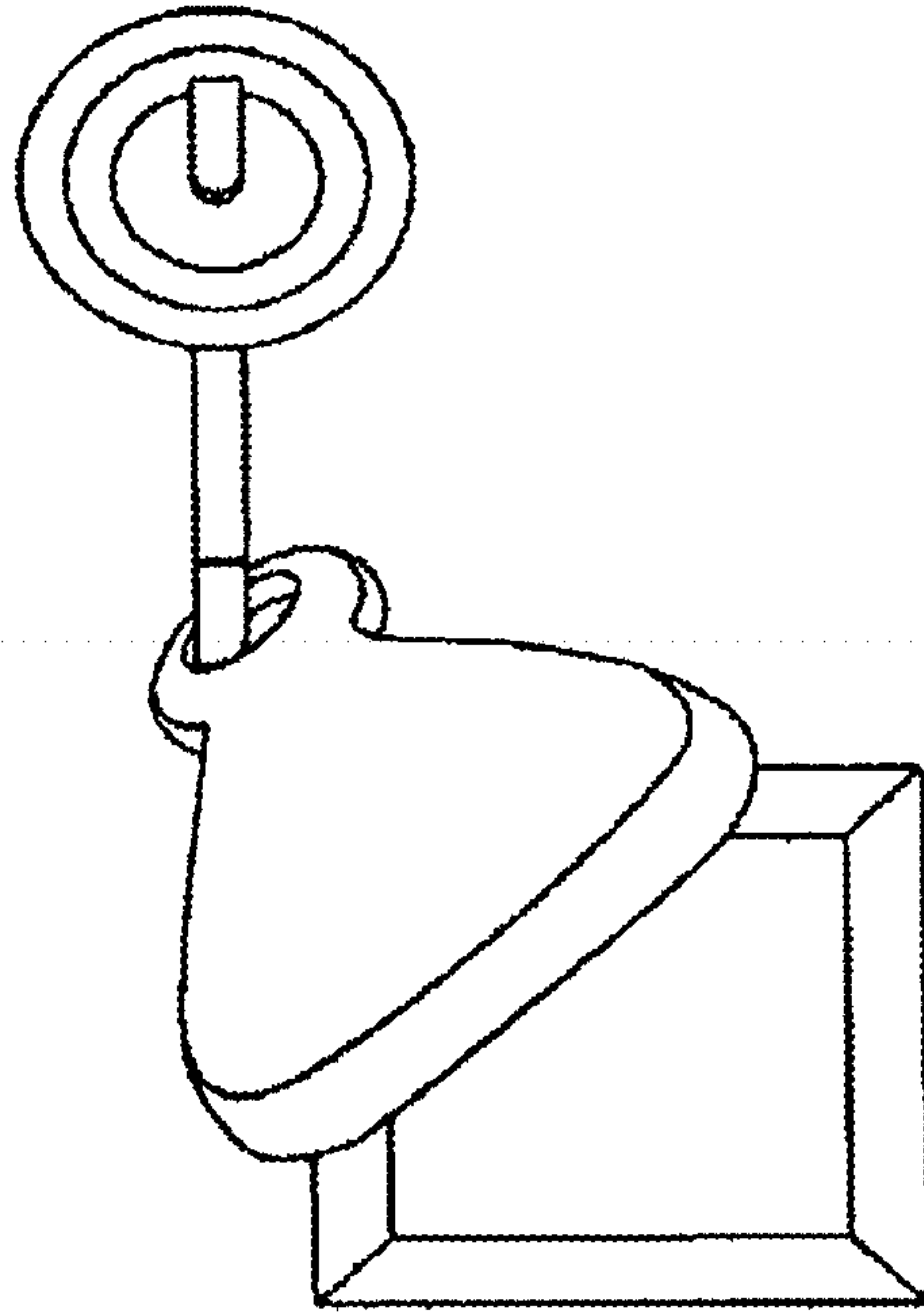


FIG. 3

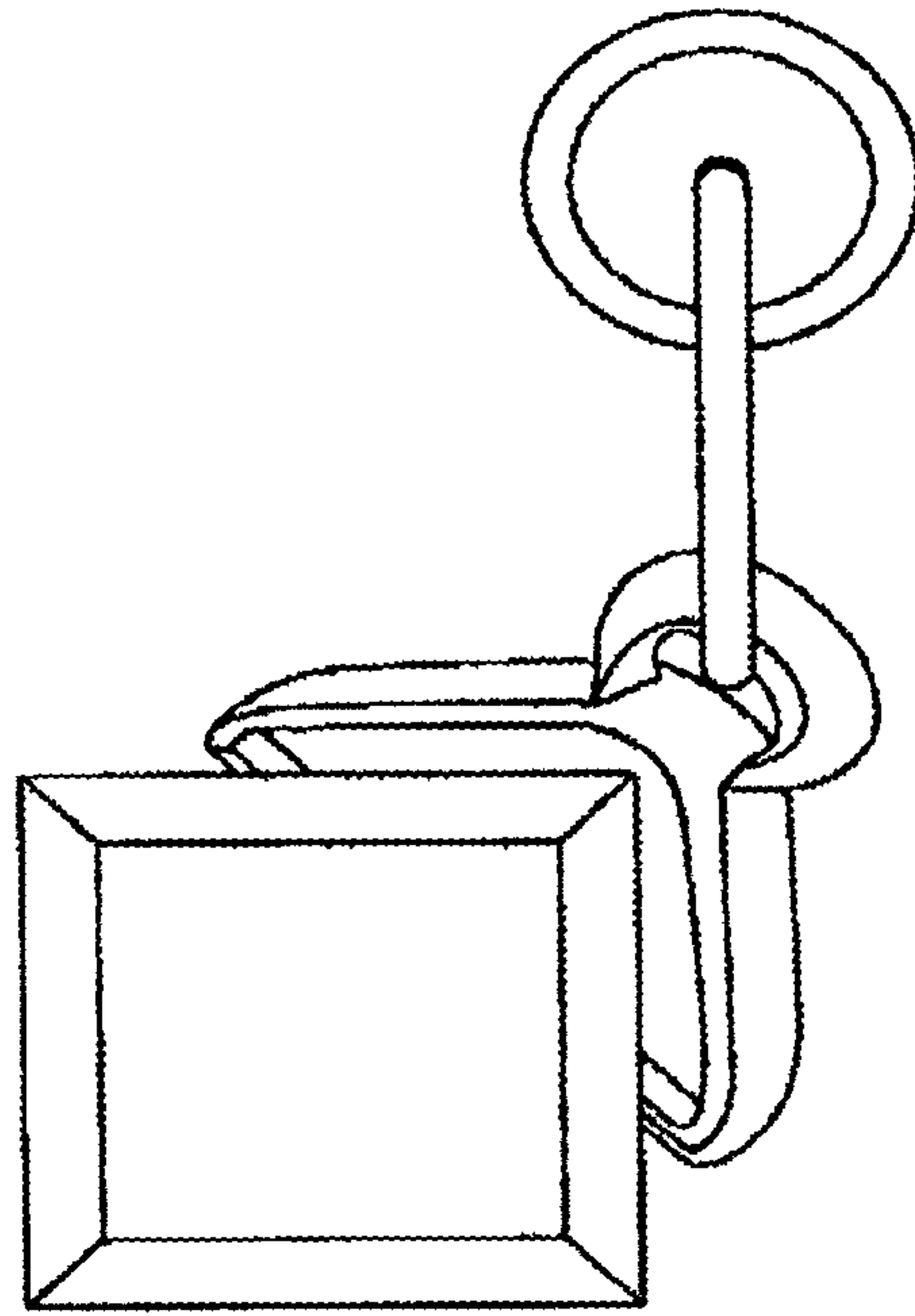


FIG. 4

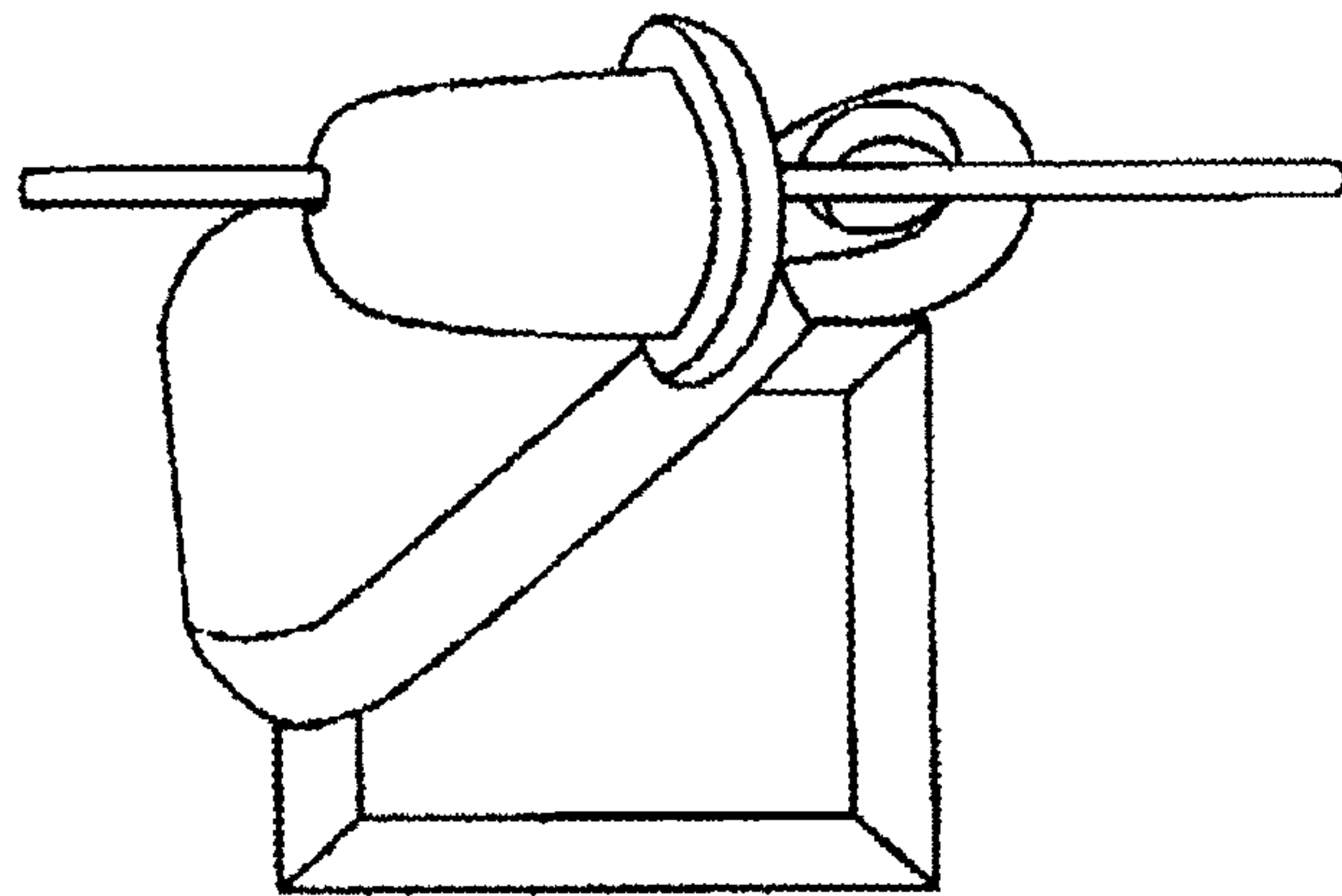


FIG. 5

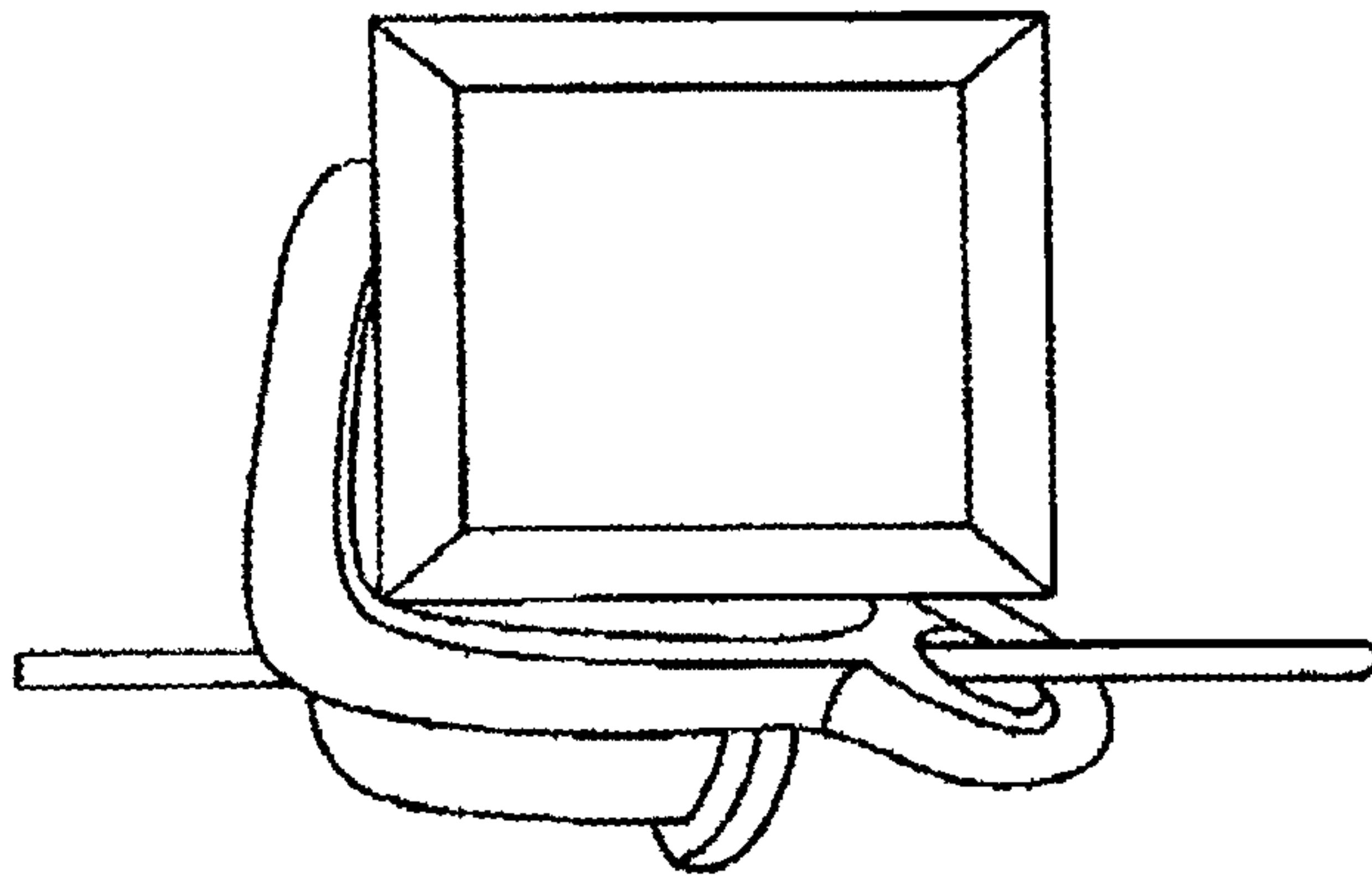


FIG. 6

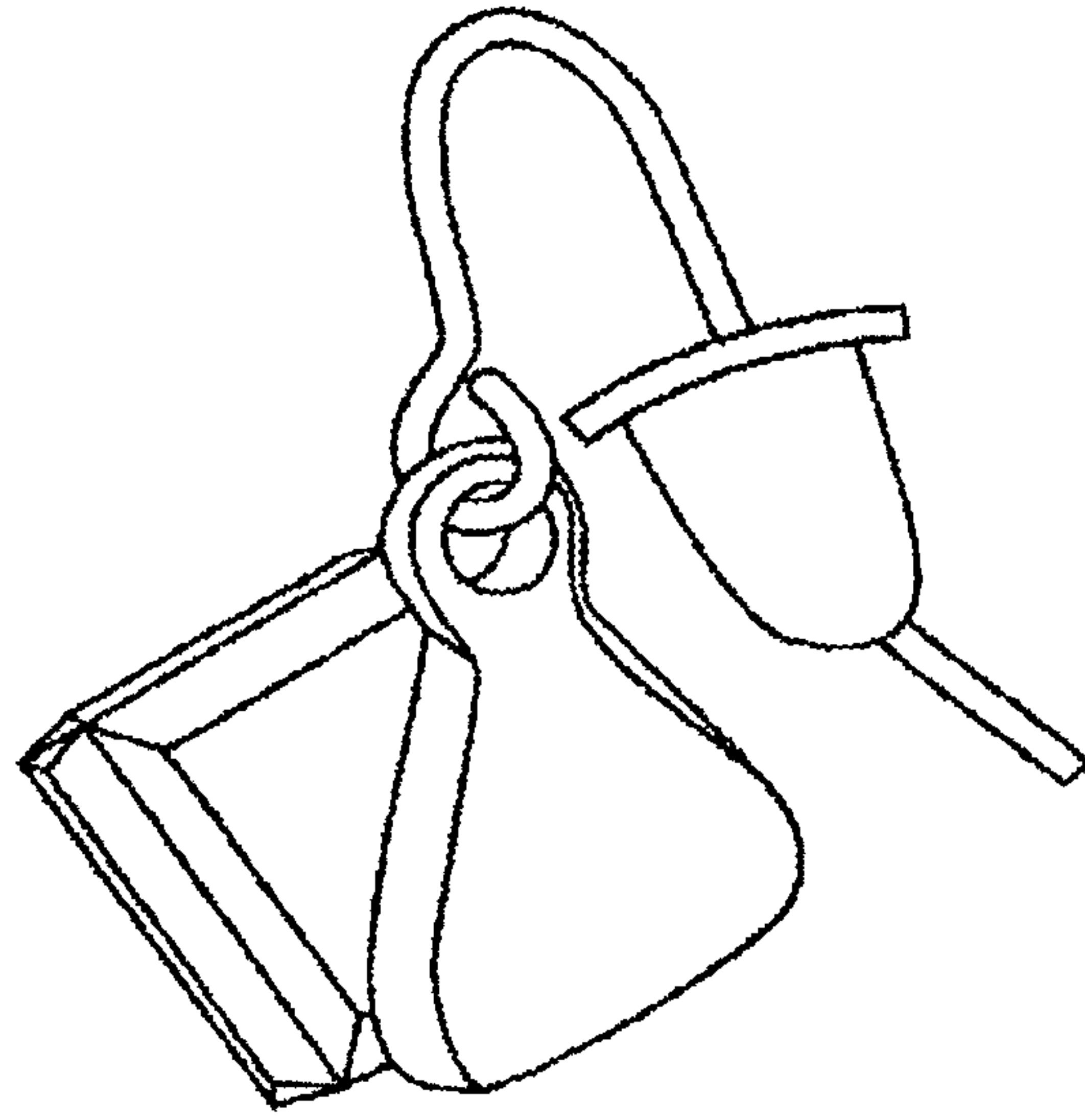


FIG. 7

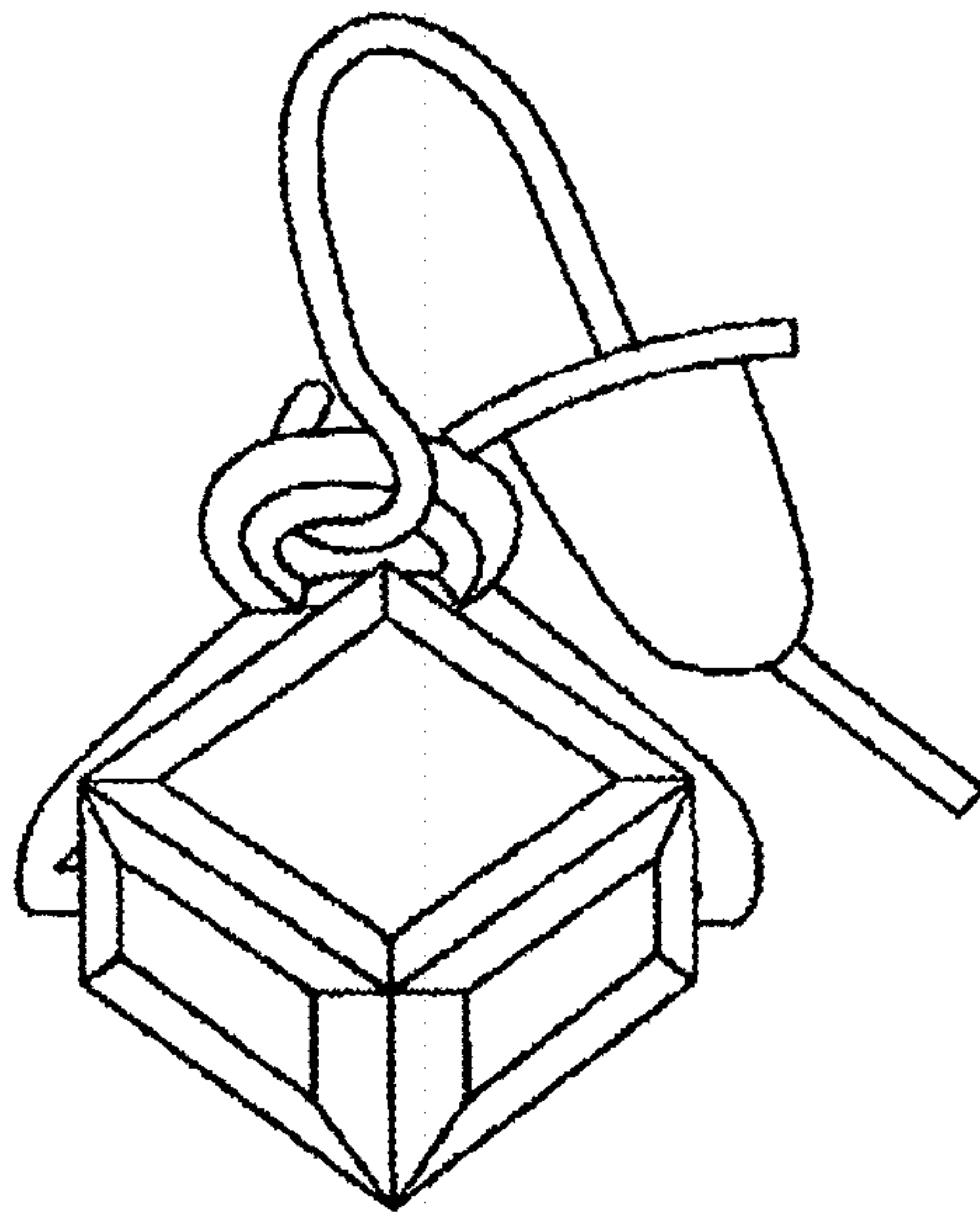


FIG. 8