



US00D899958S

(12) **United States Design Patent** (10) **Patent No.:** **US D899,958 S**  
**Berka et al.** (45) **Date of Patent:** **\*\* Oct. 27, 2020**

(54) **MODULAR RING** 2012/0118015 A1\* 5/2012 Soni ..... B22D 25/026  
63/13  
(71) Applicant: **TALIA LUXURY GOODS LTD.,** 2012/0291486 A1\* 11/2012 Cardin ..... A44C 17/0216  
Herzliya (IL) 63/15  
2013/0015224 A1\* 1/2013 Izkovitz ..... A45D 40/00  
224/576  
(72) Inventors: **Ronen Berka,** Ramat Hasharon (IL); 2014/0196500 A1 7/2014 Machini  
**Tal Man,** Ramat Hasharon (IL) 2014/0260424 A1\* 9/2014 Warren ..... A44C 17/0233  
63/1.13  
(73) Assignee: **TALIA LUXURY GOODS LTD.,** 2017/0068437 A1\* 3/2017 Warren ..... G05B 19/048  
Herzliya 2018/0020788 A1\* 1/2018 Parikh ..... A44C 13/00  
63/15  
(\*\*) Term: **15 Years** 2018/0020789 A1\* 1/2018 Parikh ..... A44C 9/0053  
63/15  
(21) Appl. No.: **29/610,504** 2018/0279725 A1\* 10/2018 Berka ..... A44C 9/0053  
2019/0082801 A1\* 3/2019 Burton ..... A44C 17/0216

**FOREIGN PATENT DOCUMENTS**

EP 0577494 1/1994  
WO 2015025265 2/2015

\* cited by examiner

*Primary Examiner* — Melanie Pellegrini  
(74) *Attorney, Agent, or Firm* — The Roy Gross Law Firm, LLC; Roy Gross

(57) **CLAIM**

The ornamental design for a modular ring, as shown and described.

**DESCRIPTION**

FIG. 1 is a front isometric view of a modular ring in accordance with the new design;  
FIG. 2 is a front view thereof;  
FIG. 3 is a side view thereof;  
FIG. 4 is a top view thereof;  
FIG. 5 is a bottom view thereof; and,  
FIG. 6 is an exploded view thereof.

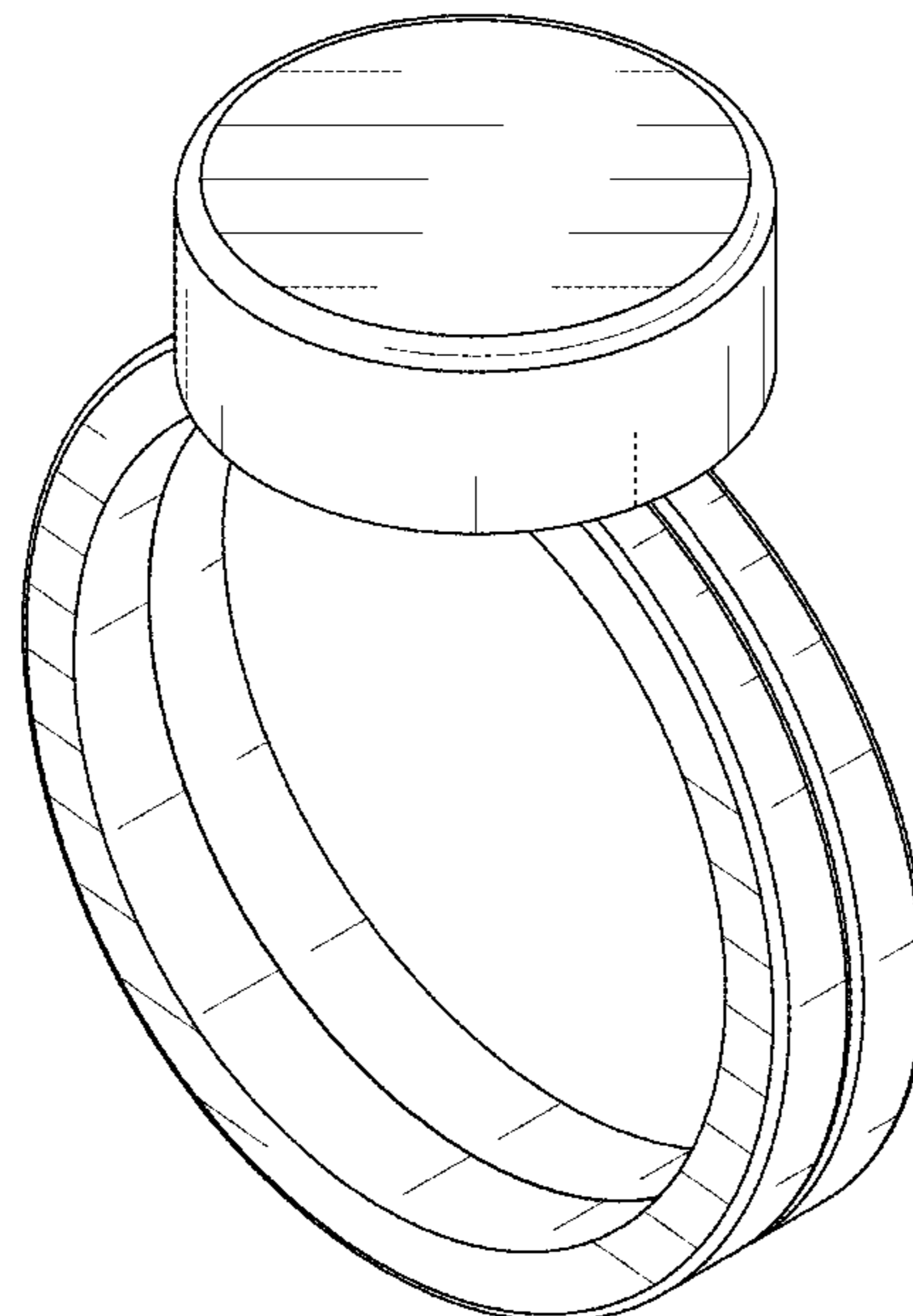
**1 Claim, 5 Drawing Sheets**

(22) Filed: **Jul. 13, 2017**  
(51) **LOC (12) Cl.** ..... **11-01**  
(52) **U.S. Cl.**  
USPC ..... **D11/26**  
(58) **Field of Classification Search**  
USPC ..... D11/3, 4, 26–39, 91, 92  
CPC ..... A44C 9/00; A44C 9/0007; A44C 9/0015;  
A44C 9/0023; A44C 9/003; A44C  
9/0038; A44C 9/0046; A44C 9/0053;  
A44C 9/0061; A44C 9/0069; A44C  
9/0076; A44C 9/0084; A44C 9/0092;  
A44C 9/02; A44C 17/02; A44C 17/0208;  
A44C 17/0216; A44C 17/0225; A44C  
17/0233; A44C 17/0241; A44C 17/025;  
A44C 17/0258; A44C 17/0266; A44C  
17/0275; A44C 17/0283; A44C 17/0291  
See application file for complete search history.

(56) **References Cited**

**U.S. PATENT DOCUMENTS**

5,165,257 A \* 11/1992 Corenblith ..... A44C 3/001  
63/15  
6,490,886 B1 \* 12/2002 Steinhauer ..... A44C 9/00  
63/15



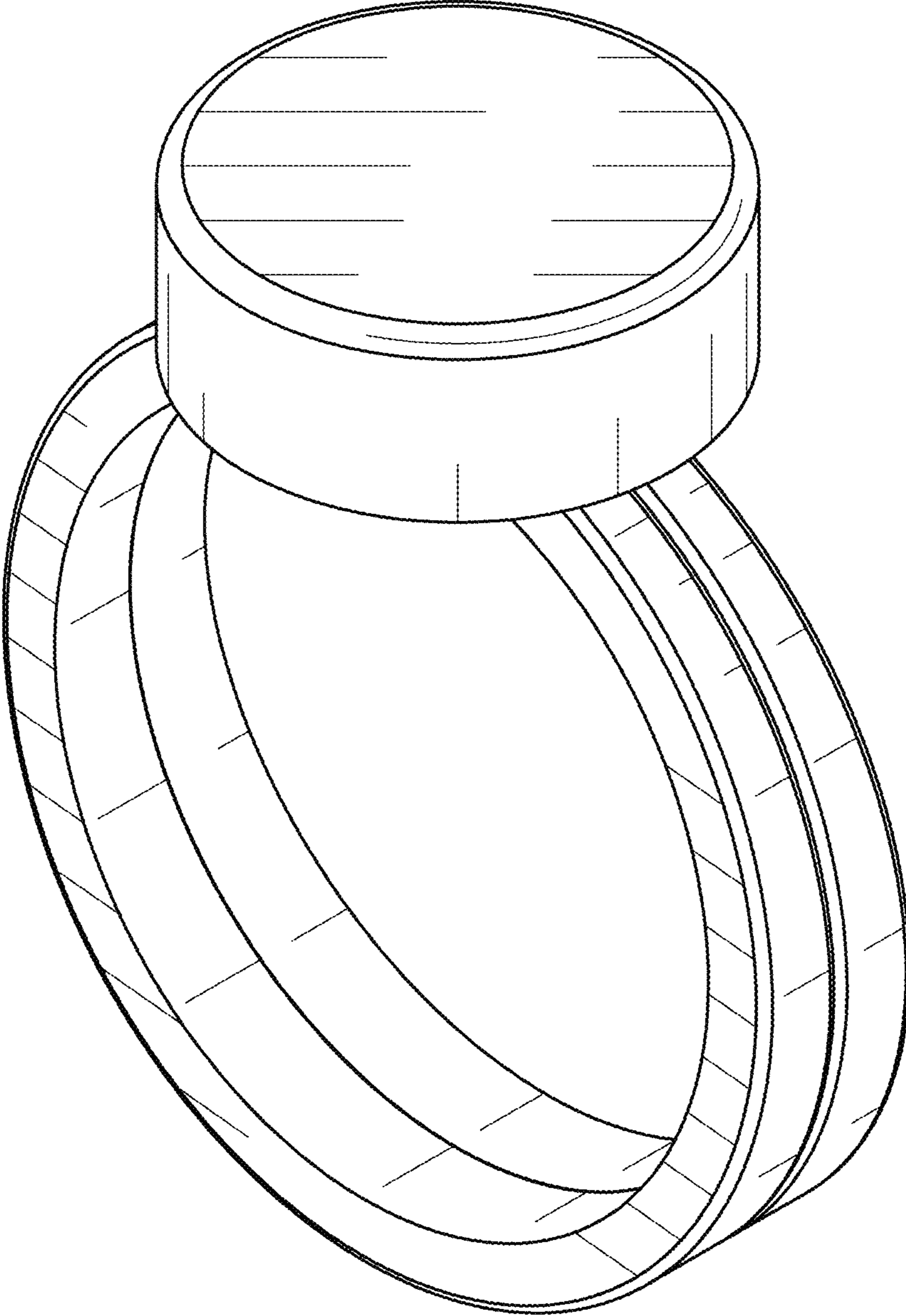


FIG.1

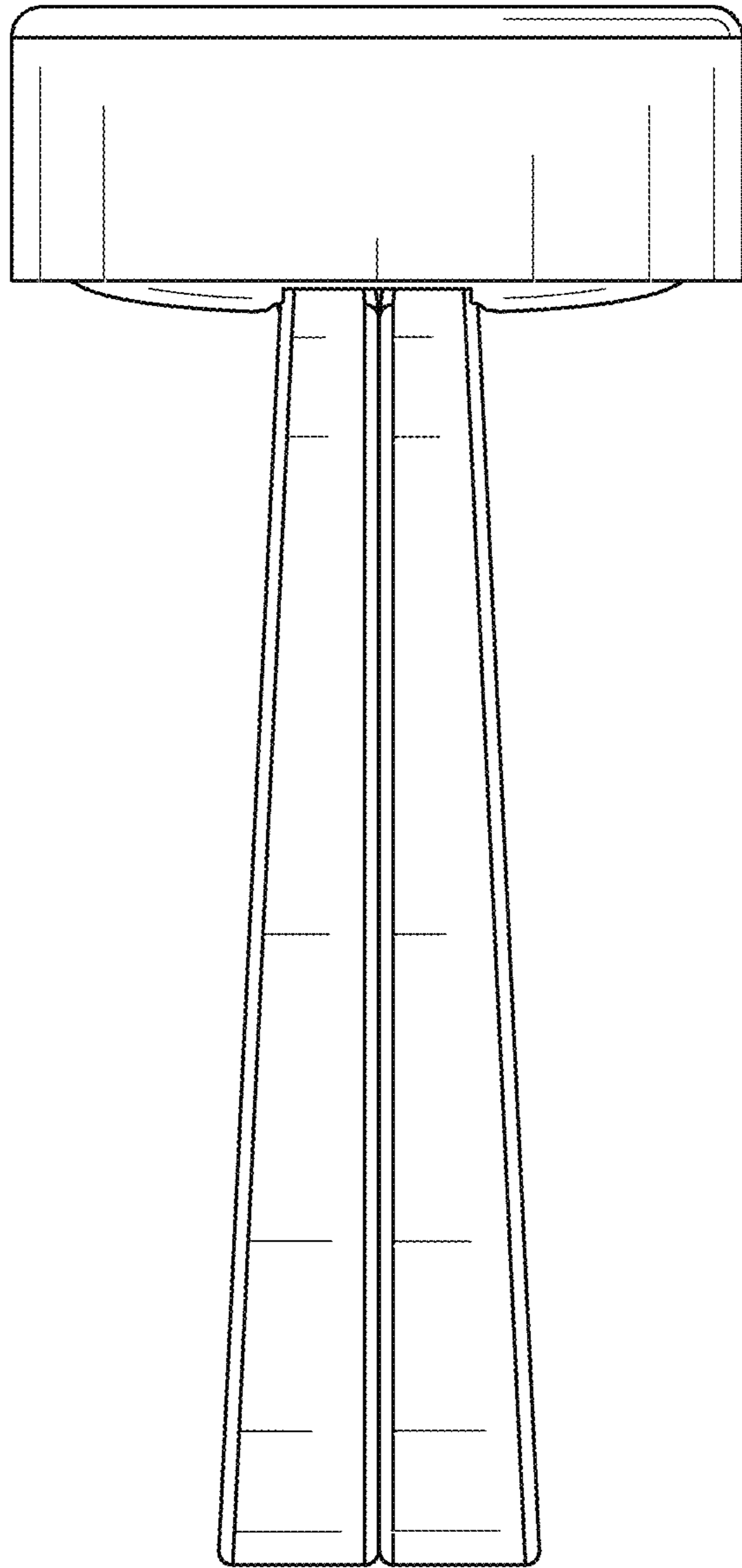


FIG.2

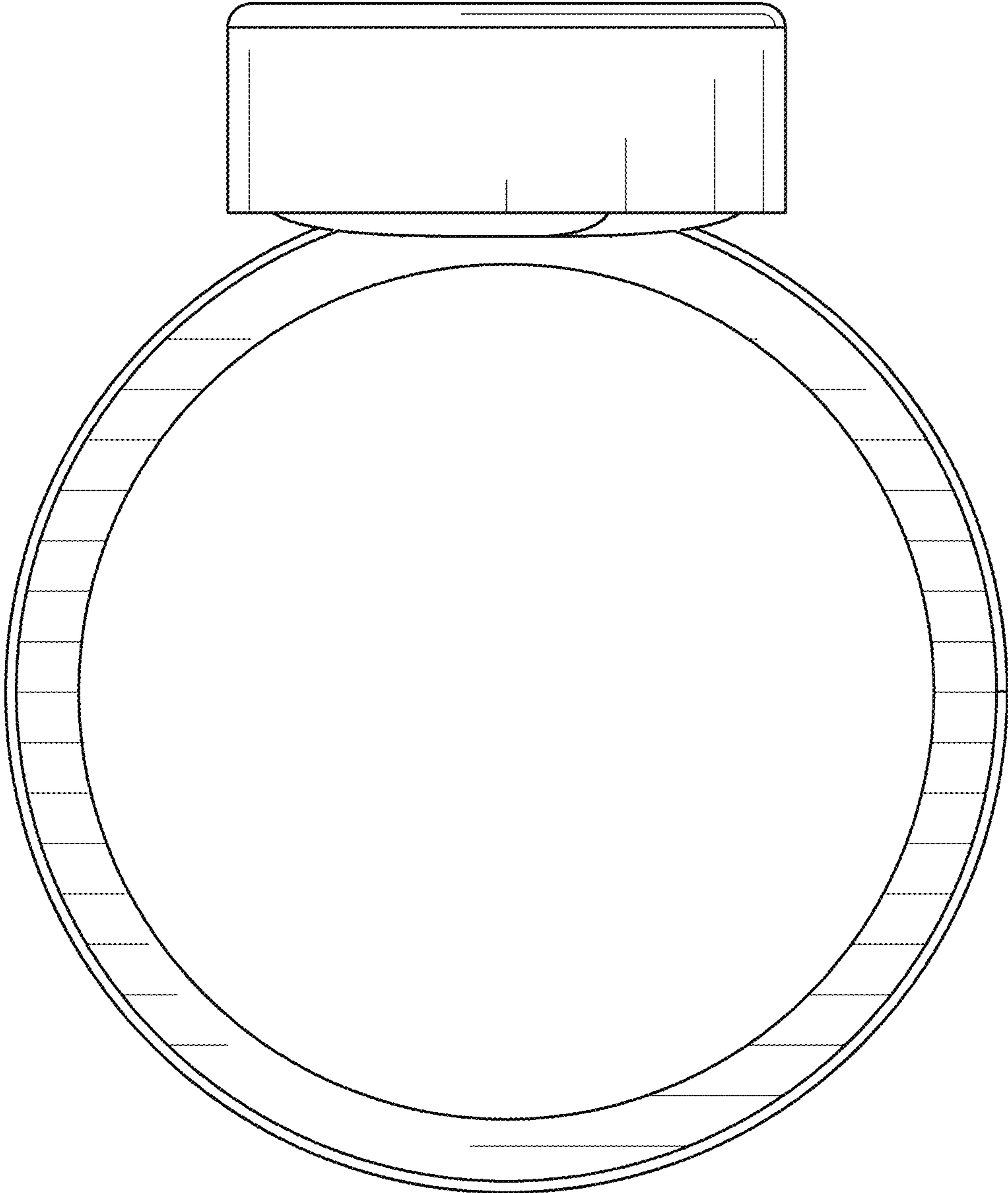


FIG. 3

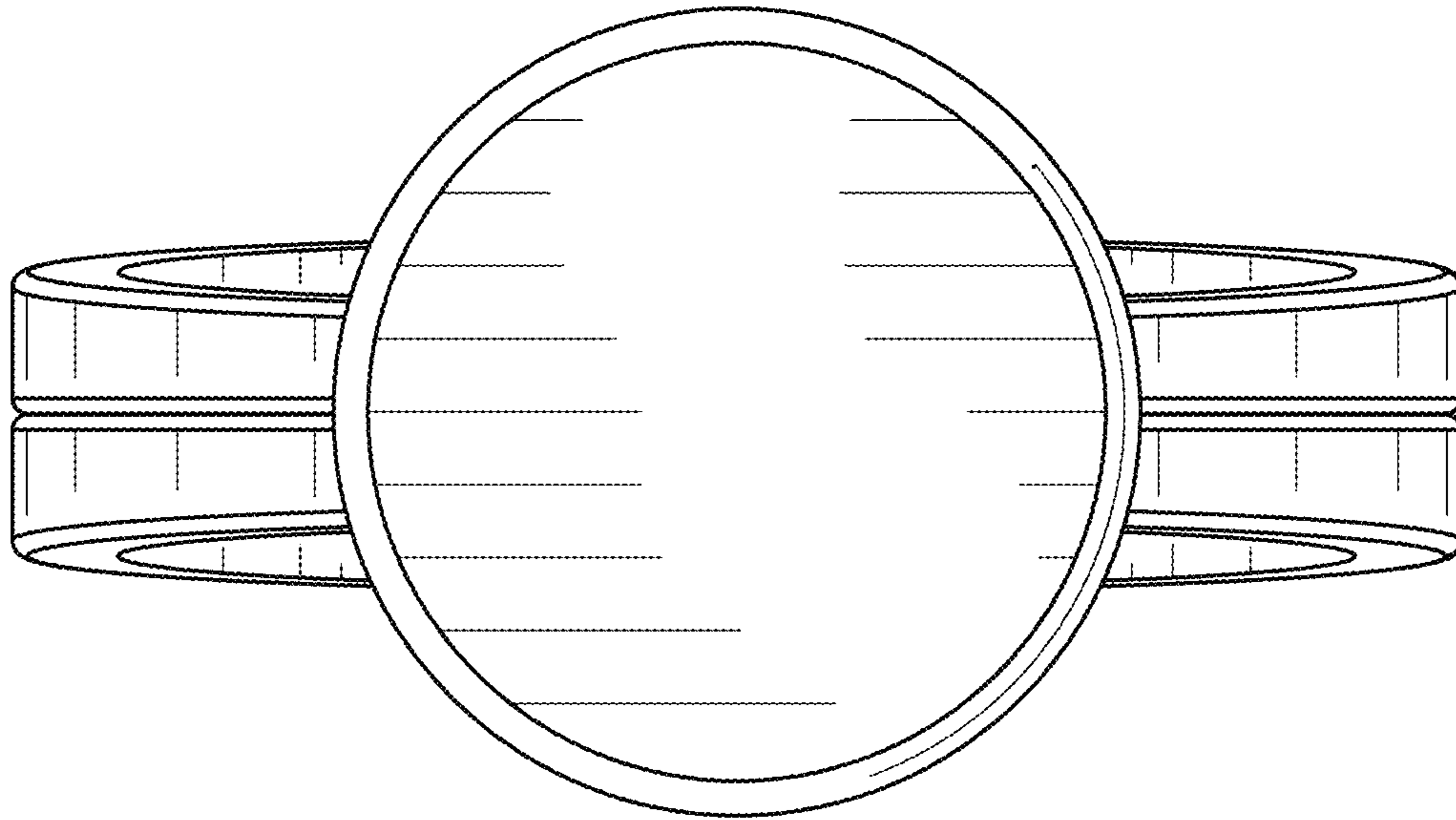


FIG. 4

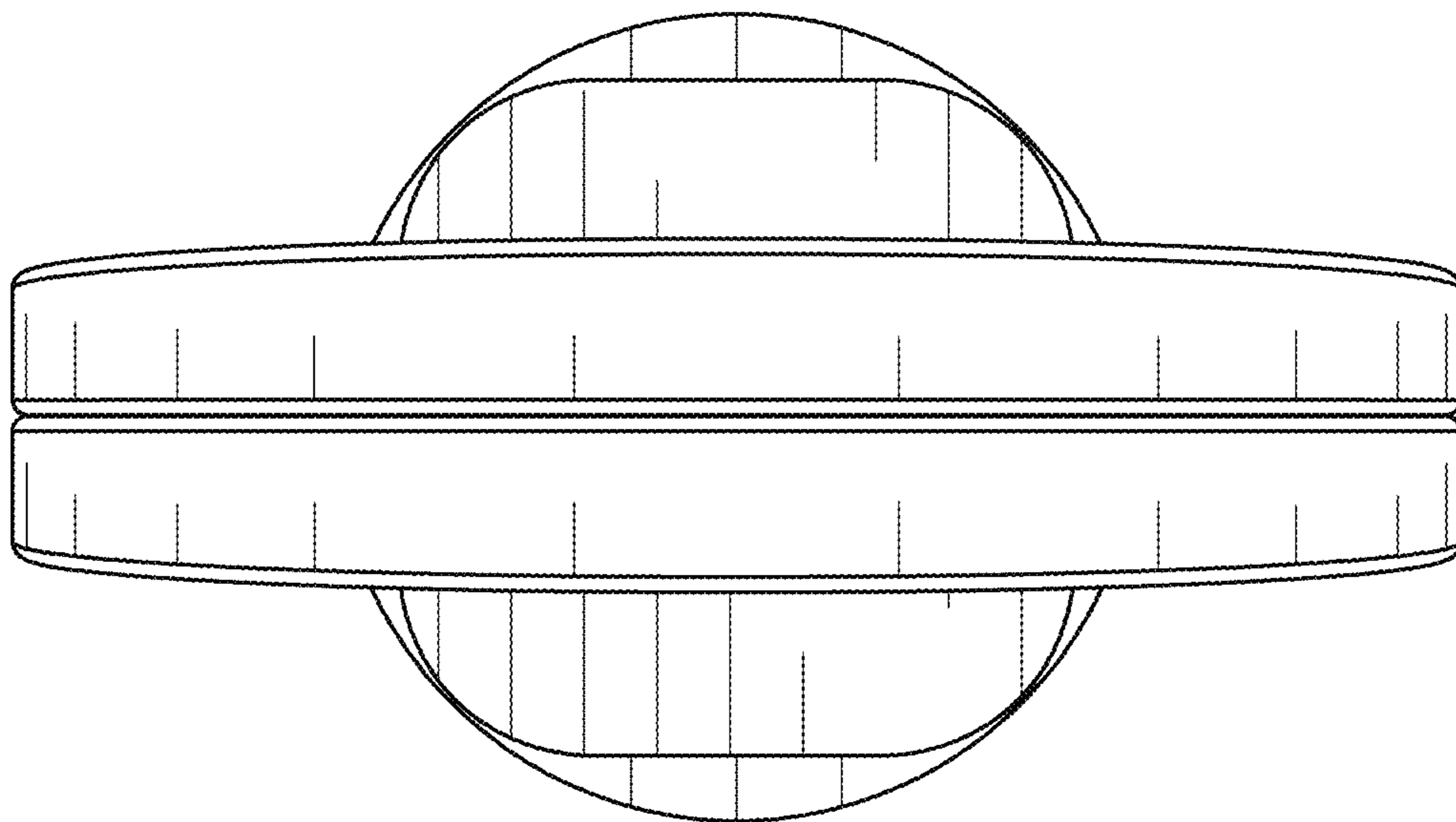


FIG. 5

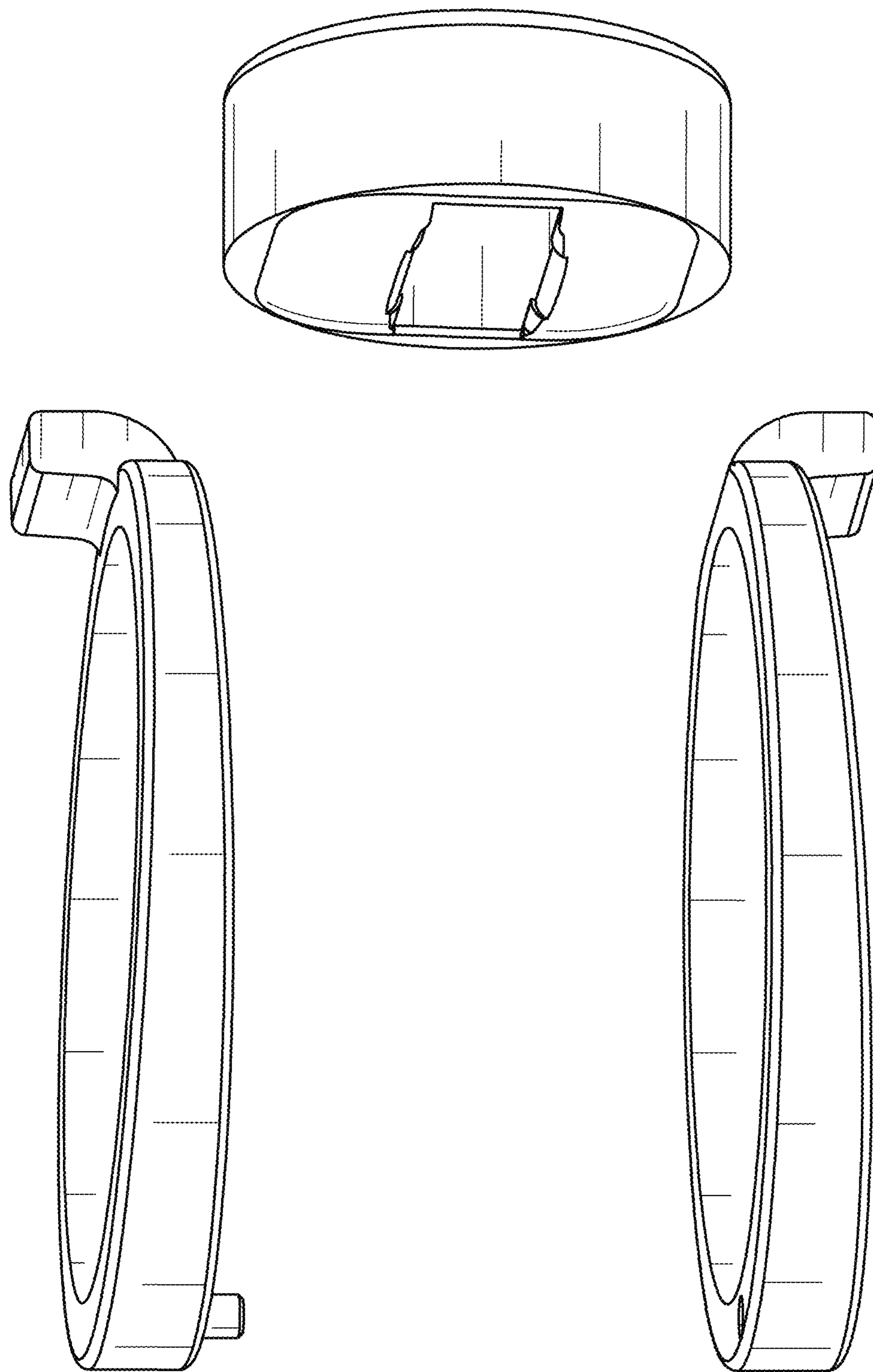


FIG. 6