



US00D899948S

(12) **United States Design Patent**
Olivieri et al.

(10) **Patent No.:** **US D899,948 S**

(45) **Date of Patent:** **** Oct. 27, 2020**

(54) **HOUSING FOR A NAVIGATION DEVICE**

(71) Applicant: **Deere & Company**, Moline, IL (US)

(72) Inventors: **Pablo G. Olivieri**, Long Beach, CA (US); **Stephen Piltingsrud**, Fargo, ND (US); **John M. Gladitsch**, Fargo, ND (US); **Michael A Hajicek**, West Fargo, ND (US)

(73) Assignee: **DEERE & COMPANY**, Moline, IL (US)

(**) Term: **15 Years**

(21) Appl. No.: **29/678,892**

(22) Filed: **Jan. 31, 2019**

Related U.S. Application Data

(63) Continuation-in-part of application No. 29/654,686, filed on Jun. 26, 2018, now Pat. No. Des. 867,176.

(51) **LOC (12) Cl.** **10-04**

(52) **U.S. Cl.**
USPC **D10/65**

(58) **Field of Classification Search**

USPC D10/65, 70
CPC G08G 1/096883; G08G 1/096872; G08G 1/096775; G08G 1/0969; G01V 8/20; G01J 5/02; G01J 5/023; G01J 5/24; G01J 5/10; G01J 5/20; G01J 5/0235; G01J 5/08; G01J 5/0853; G01J 5/33; G01J 5/34; G01J 5/0022; G01J 5/22; G01J 5/0295; G01J 5/12; G01J 2005/068; G01J 2005/345; G01N 21/3504; G01N 21/35; G01S 3/043; G01S 15/04; G01S 5/025; Y10S 250/01; H01L 37/00; H01L 37/02; H04N 5/33; G01P 3/50; G01P 1/00-1/26; G01P 15/00-15/18; G01C 21/3664; G01C 21/26; G01C 21/16; G01C 21/3688; G01C 21/30; G01C 17/00; G01C 21/00-21/3697; G01C 22/00-22/025; G01C 23/00-23/005; G06F 3/0482; G06F

2203/04801; G06F 19/3481; G06F 3/00-3/027; F21S 8/033; F21V 17/02; F21V 23/0442; F21V 21/30; F21W 2131/10; G08B 13/19; G08B 13/193; G08B

(Continued)

(56) **References Cited**

U.S. PATENT DOCUMENTS

D728,391 S 5/2015 Olivieri et al.
D731,905 S 6/2015 Olivieri et al.
D742,766 S 11/2015 Olivieri et al.

(Continued)

OTHER PUBLICATIONS

Pending U.S. Appl. No. 29/654,686, filed Jun. 26, 2018, Olivieri (9 pages).

Primary Examiner — Antoine Duval Davis

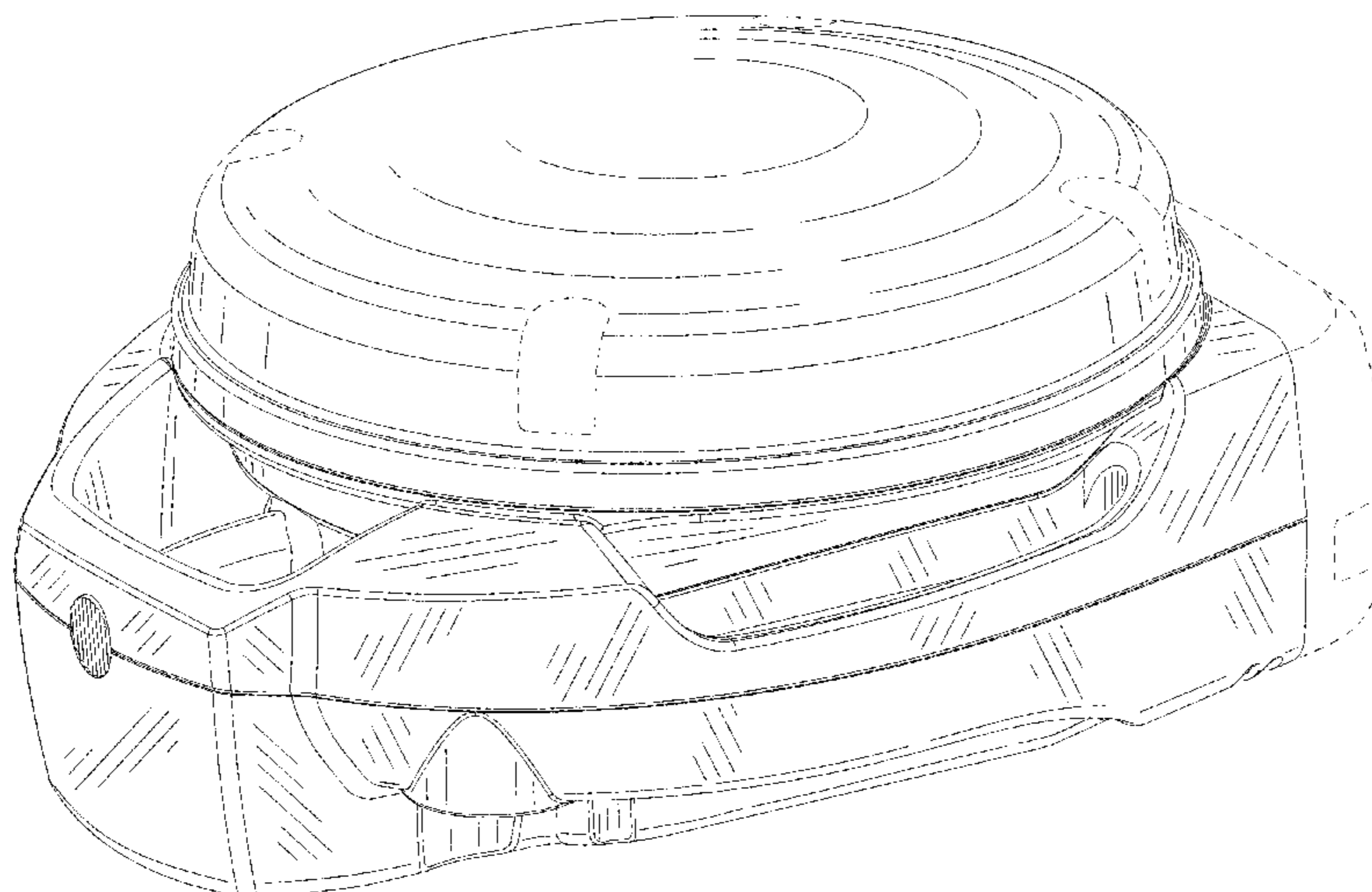
(57) **CLAIM**

The ornamental design for a housing for a navigation device, as shown and described.

DESCRIPTION

FIG. 1 is a perspective front view of a housing for a navigation device of the present invention. FIG. 2 is a left-side view of the housing for a navigation device of FIG. 1. FIG. 3 is a right-side view of the housing for a navigation device of FIG. 1. FIG. 4 is a front view of the housing for a navigation device of FIG. 1. FIG. 5 is a rear view of the housing for a navigation device of FIG. 1. FIG. 6 is a top view of the housing for a navigation device of FIG. 1; and, FIG. 7 is a bottom view of the housing for a navigation device of FIG. 1.

1 Claim, 7 Drawing Sheets



(58) **Field of Classification Search**

CPC 13/1645; G08B 17/12; G08B 13/00–13/26;
G08B 29/00–29/28

See application file for complete search history.

(56) **References Cited**

U.S. PATENT DOCUMENTS

9,658,616	B2 *	5/2017	Lee	G05D 1/0016
D788,610	S *	6/2017	Venth	D10/65
D797,584	S *	9/2017	Venth	D10/65
D823,703	S *	7/2018	Pan	D10/65

* cited by examiner

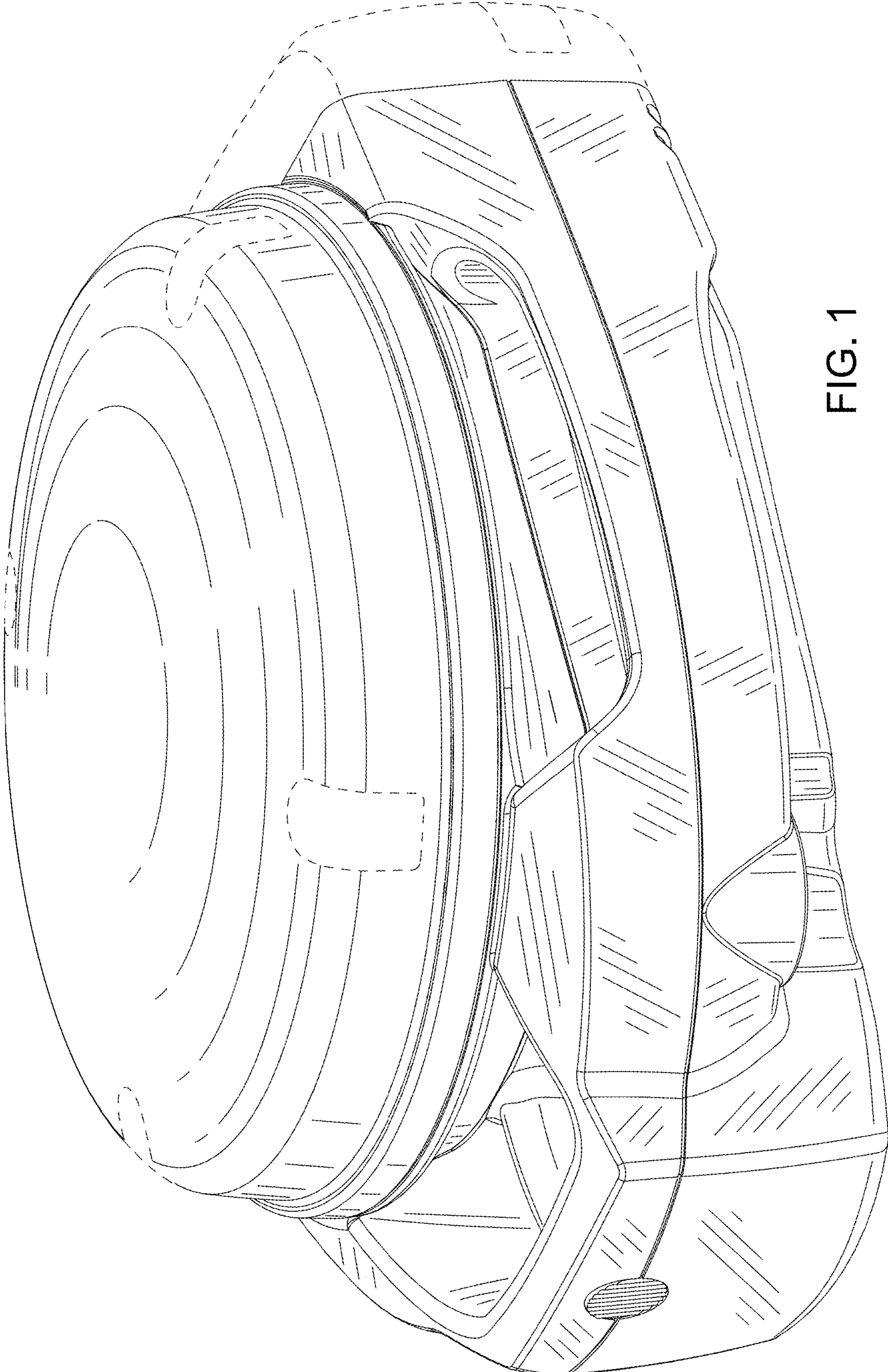


FIG. 1

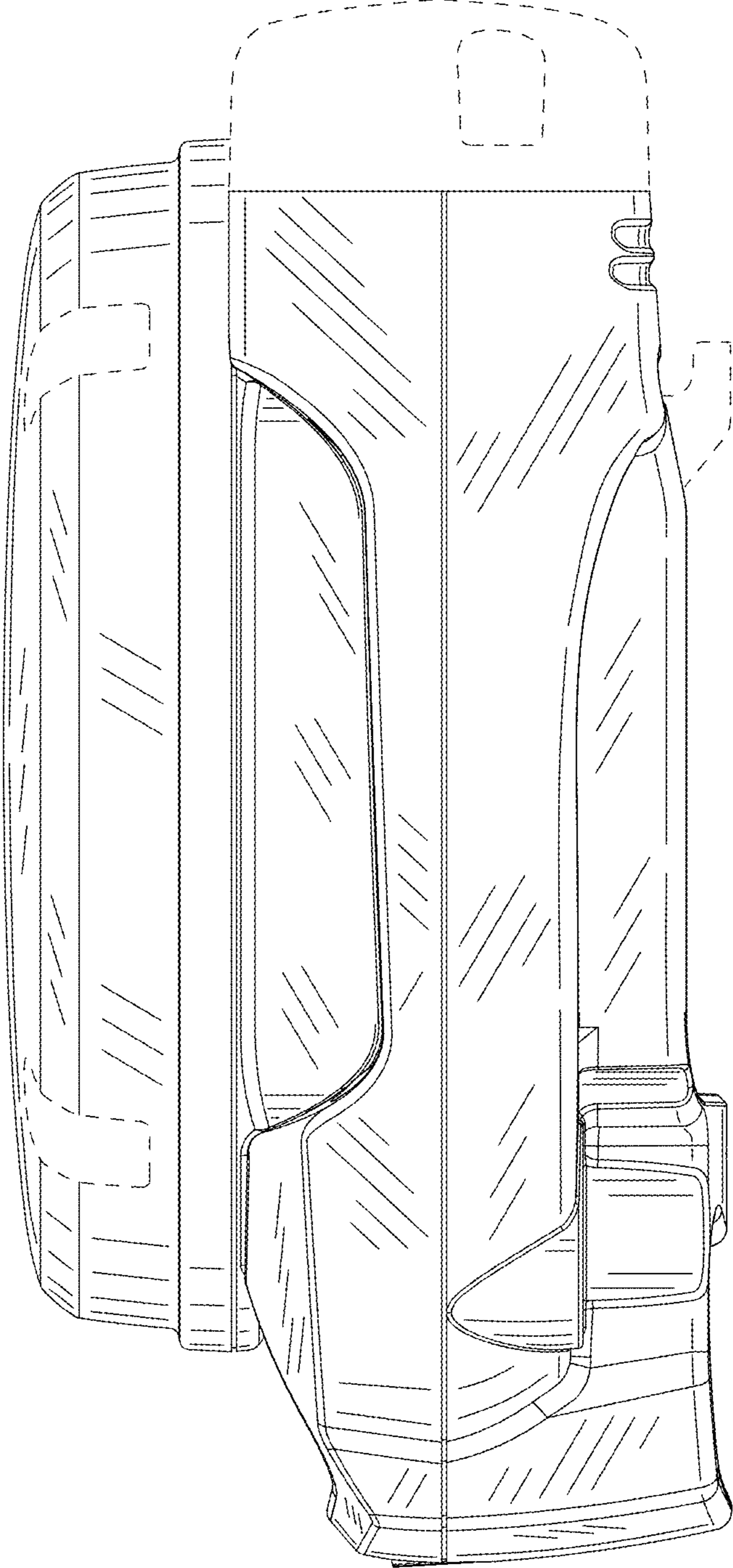


FIG. 2

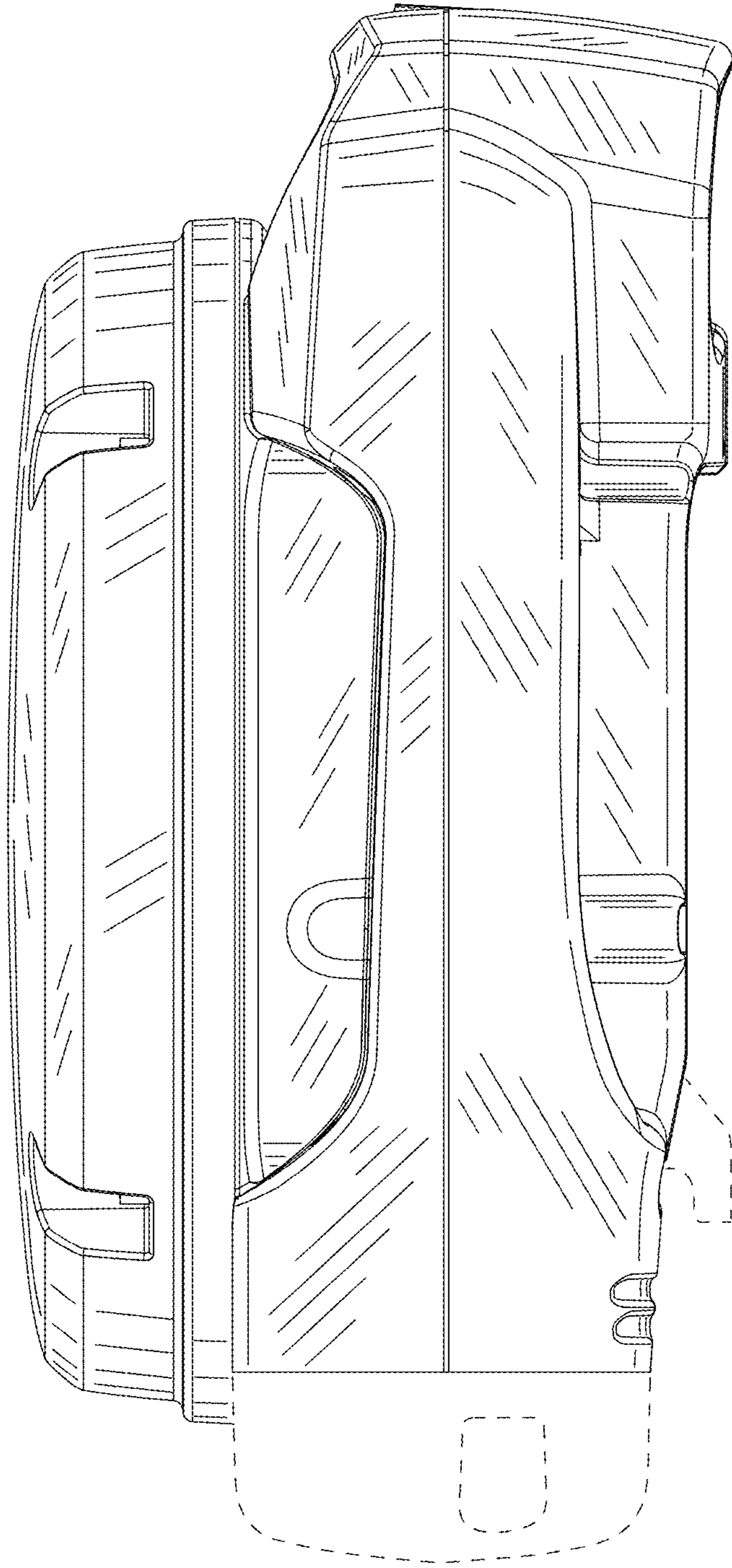


FIG. 3

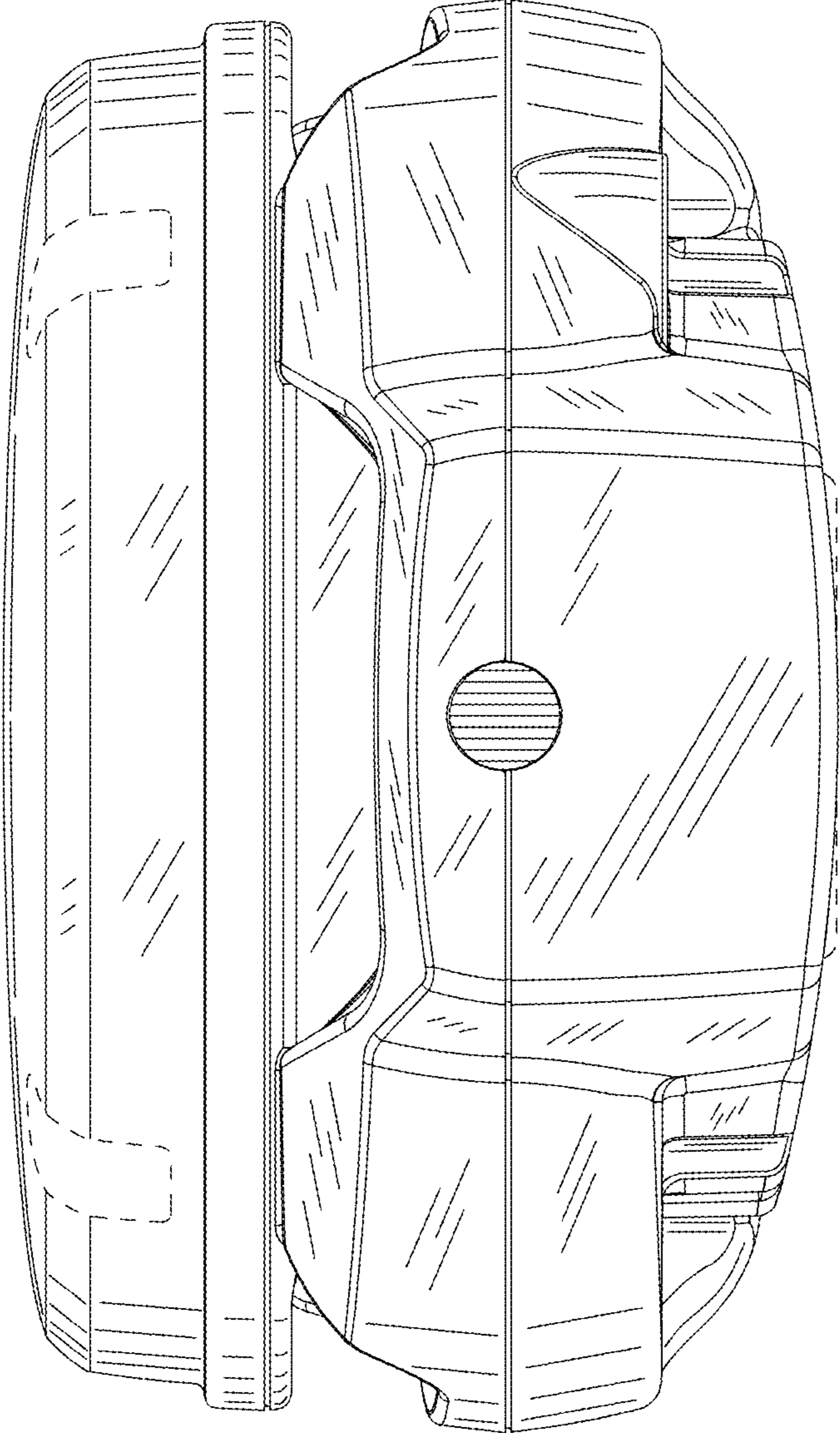


FIG. 4

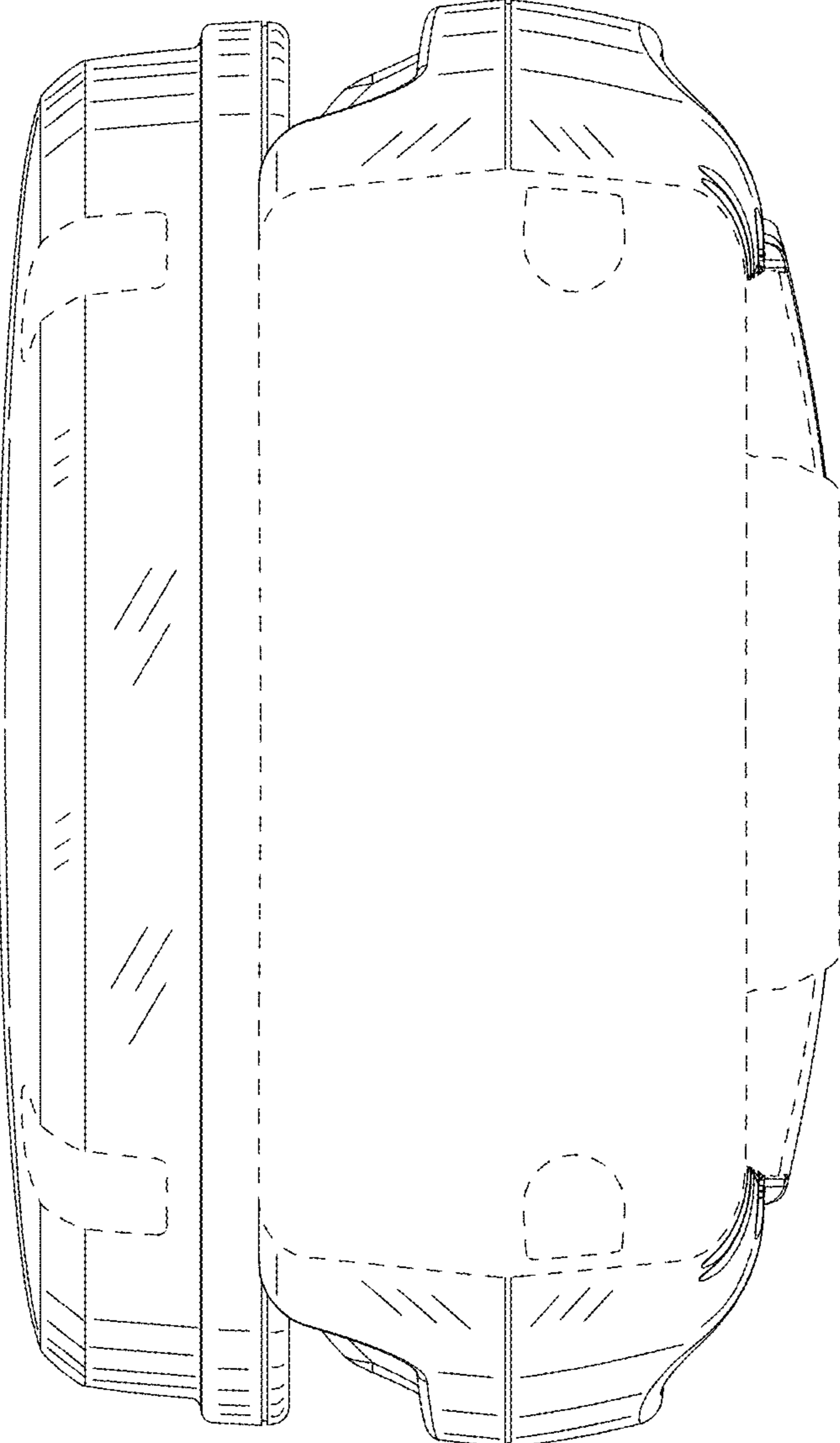


FIG. 5

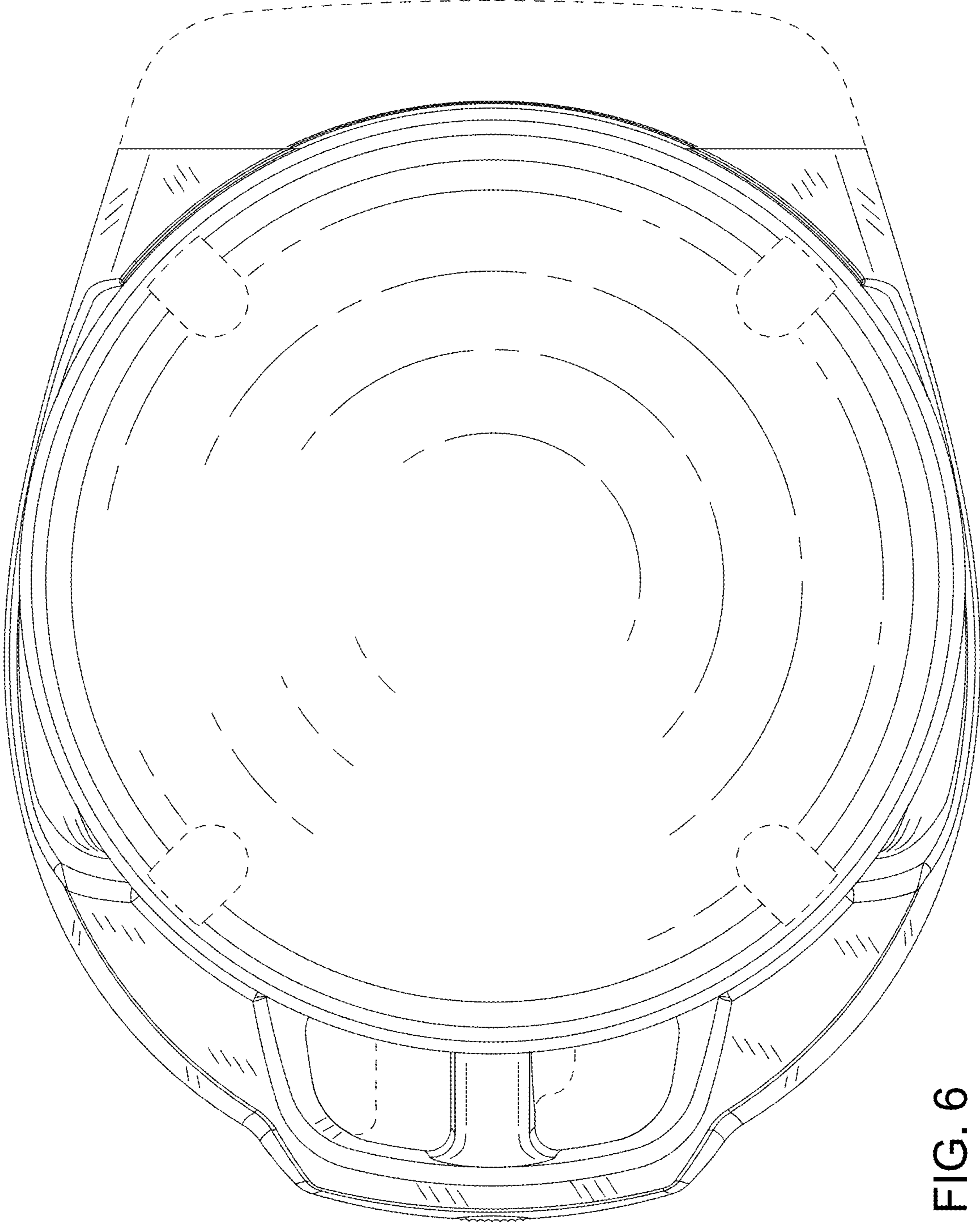


FIG. 6

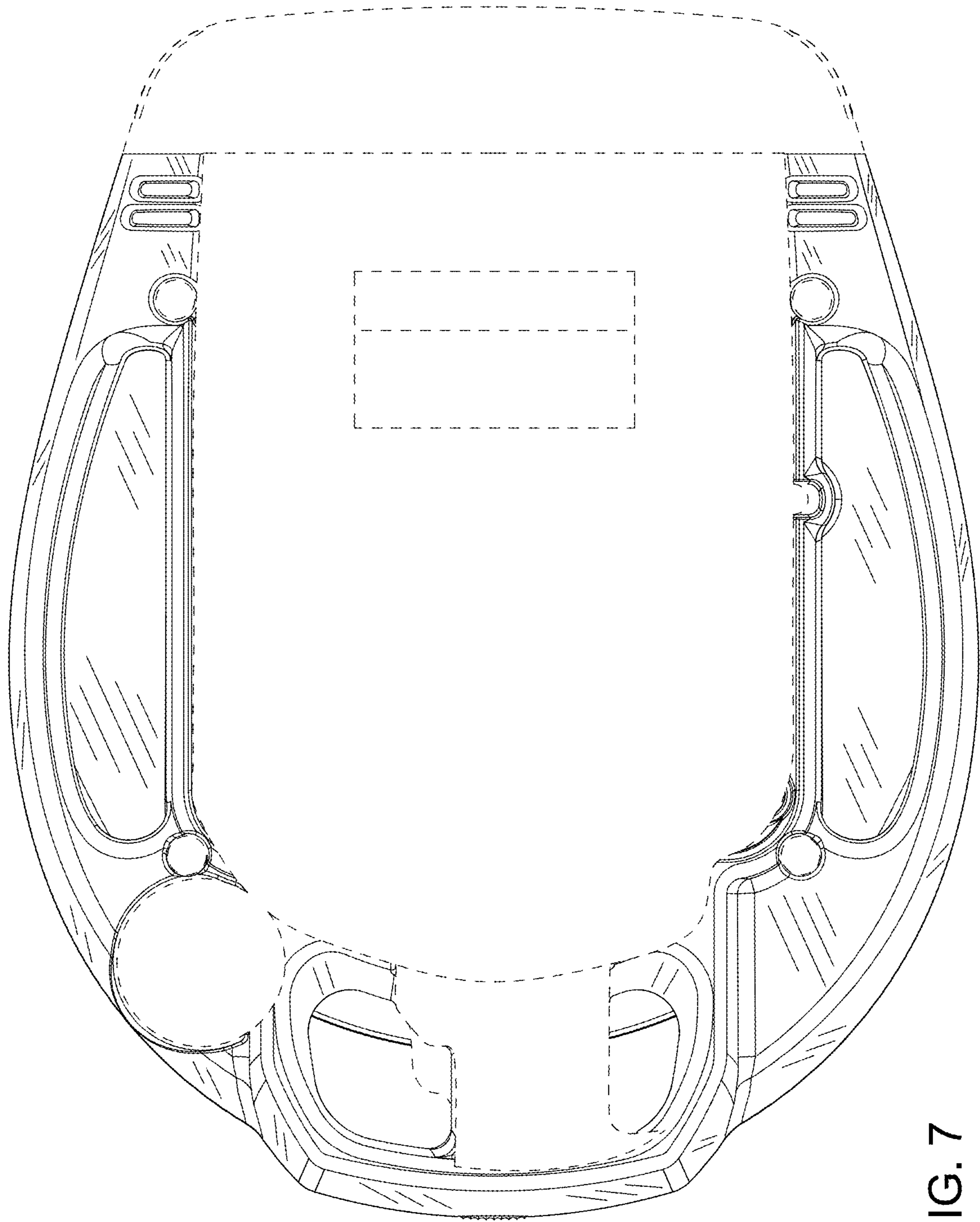


FIG. 7