

US00D899947S

(12) **United States Design Patent** (10) **Patent No.:** **US D899,947 S**  
**Liu et al.** (45) **Date of Patent:** **\*\* Oct. 27, 2020**

(54) **LASER SENSOR FOR PARTICULATE MATTER DETECTOR**  
(71) Applicant: **Beijing Xiaomi Mobile Software Co., Ltd., Beijing (CN)**  
(72) Inventors: **Tie Liu, Beijing (CN); Ziming Yuan, Beijing (CN)**  
(73) Assignee: **Beijing Xiaomi Mobile Software Co., Ltd., Beijing (CN)**

D597,428 S \* 8/2009 Sato ..... D10/104.1  
D708,977 S \* 7/2014 Corso ..... D10/104.1  
D778,190 S \* 2/2017 VanDuyn ..... D10/104.1  
D778,191 S \* 2/2017 VanDuyn ..... D10/104.1  
D793,888 S \* 8/2017 Hasegawa ..... D10/106.95  
D814,953 S \* 4/2018 Masuyama ..... D10/104.1  
D849,570 S \* 5/2019 Sakalowsky ..... D10/52  
D859,195 S \* 9/2019 Kristensson ..... D10/106.1  
D866,356 S \* 11/2019 Elrod ..... D10/52  
D876,249 S \* 2/2020 Bee ..... D10/53

(\*\*) Term: **15 Years**  
(21) Appl. No.: **35/506,926**  
(22) Filed: **Dec. 12, 2018**

**OTHER PUBLICATIONS**

Indian Patent Office, Office Action Issued in Application No. 313656-001, Feb. 7, 2019, dated 11 pages.

(80) **Hague Agreement Data**  
Int. Filing Date: **Dec. 12, 2018**  
Int. Reg. No.: **DM/200636**  
Int. Reg. Date: **Dec. 12, 2018**  
Int. Reg. Pub. Date: **Jun. 14, 2019**

\* cited by examiner

*Primary Examiner* — George D. Kirschbaum  
*Assistant Examiner* — Joseph J Kukella  
(74) *Attorney, Agent, or Firm* — Syncoda LLC; Feng Ma

(30) **Foreign Application Priority Data**  
Jul. 18, 2018 (CN) ..... 2018 3 0388692  
(51) **LOC (12) Cl.** ..... **10-05**  
(52) **U.S. Cl.**  
USPC ..... **D10/52**  
(58) **Field of Classification Search**  
USPC ..... D10/52, 70, 97, 103, 104.1, 104.2,  
D10/106.1–106.95, 108, 121, 123, 124,  
D10/125, 132; D14/356, 357, 358;  
D16/202, 203, 214, 215  
CPC ..... G08B 17/00; G08B 17/06; G08B 17/10;  
G08B 17/11; G08B 17/12; G08B 17/103;  
G08B 17/107; G08B 21/02; G08B  
21/0202; G08B 21/0205; G08B 21/182  
See application file for complete search history.

(57) **CLAIM**

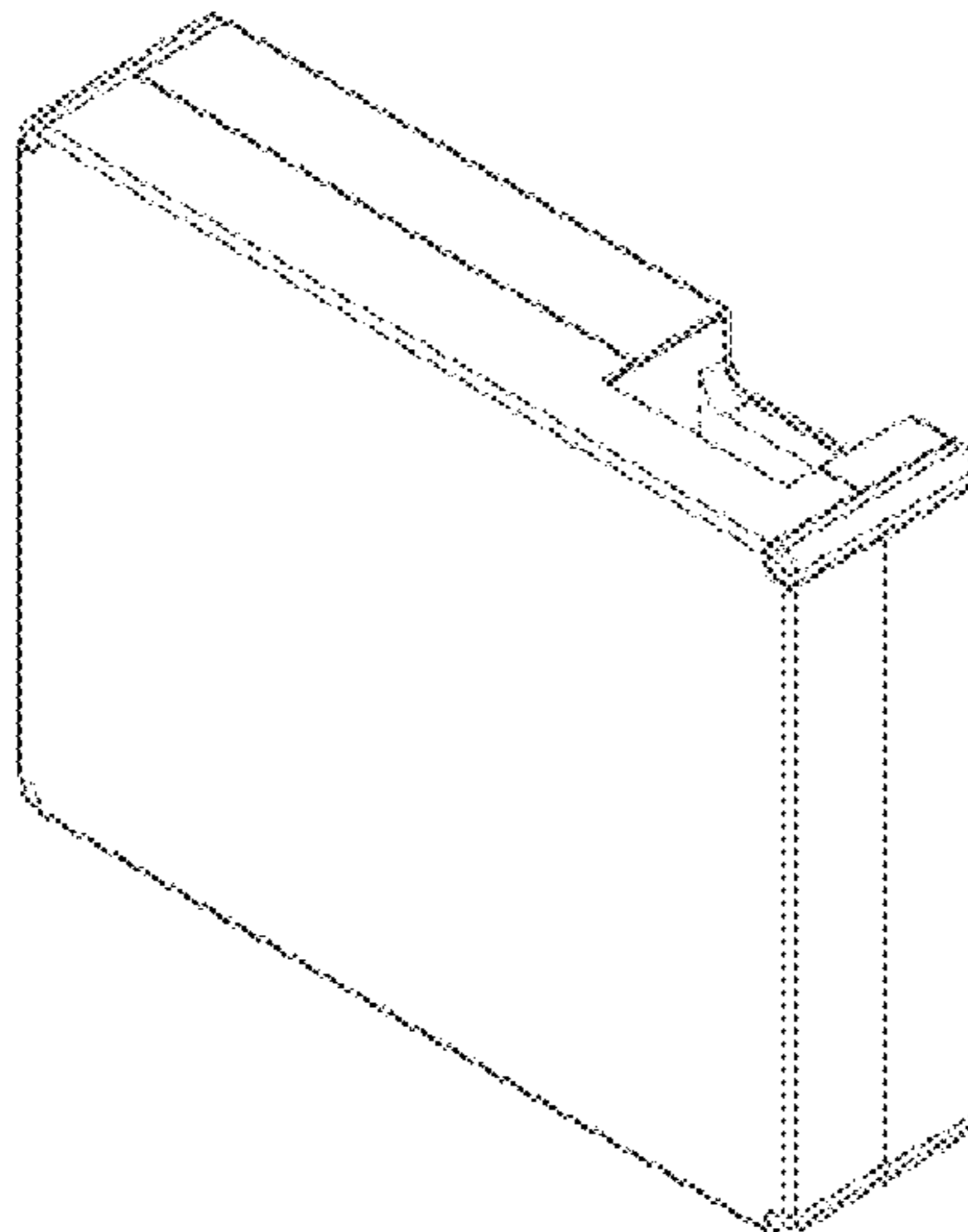
The ornamental design for a laser sensor for particulate matter detector, as shown and described.

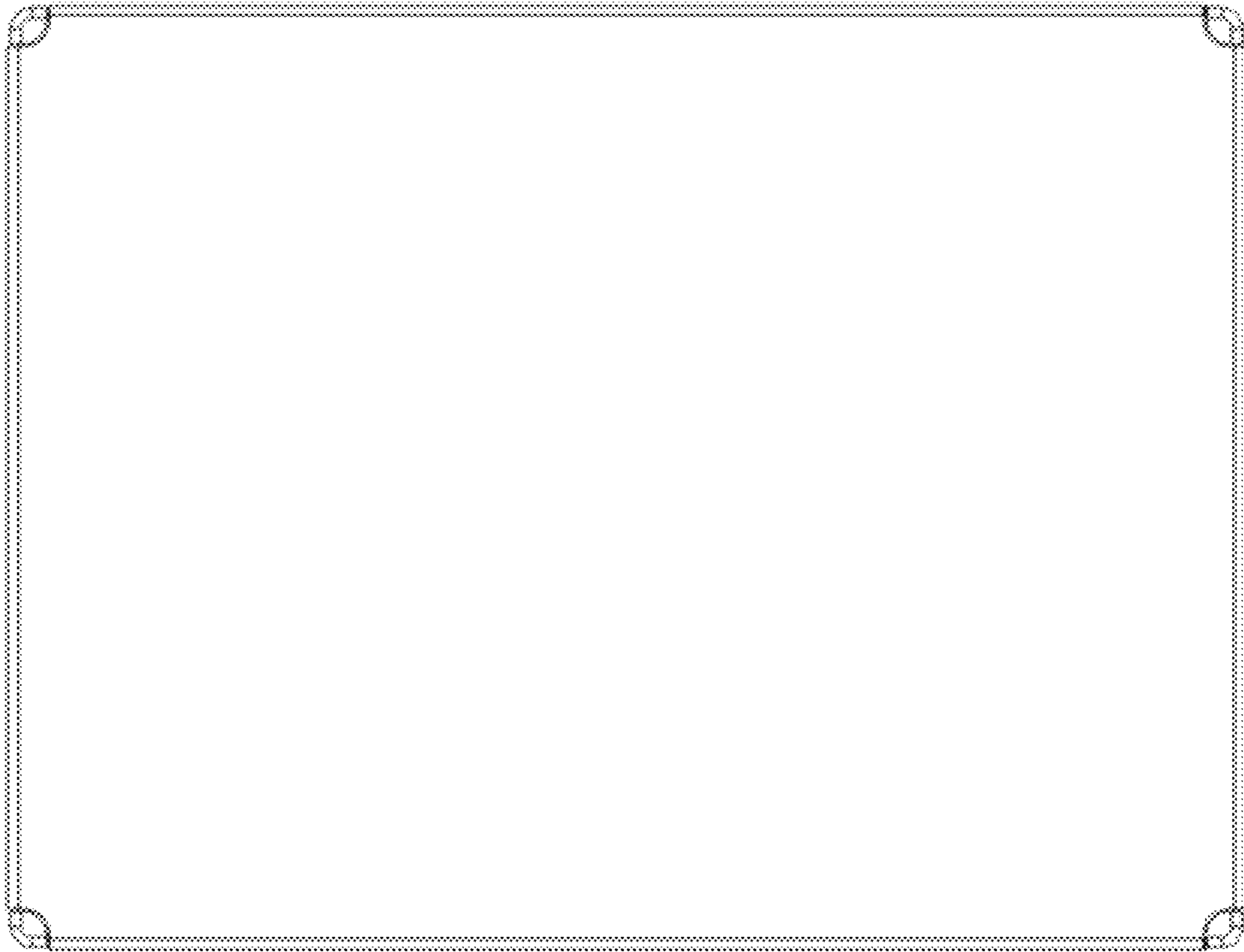
**DESCRIPTION**

1. Laser sensor for particulate matter detector  
**1.1:** Front  
**1.2:** Rear  
**1.3:** Left side  
**1.4:** Right side  
**1.5:** Top  
**1.6:** Bottom  
**1.7:** Perspective  
The portions of the laser sensor for particulate matter detector shown in broken lines form no part of the claimed design.

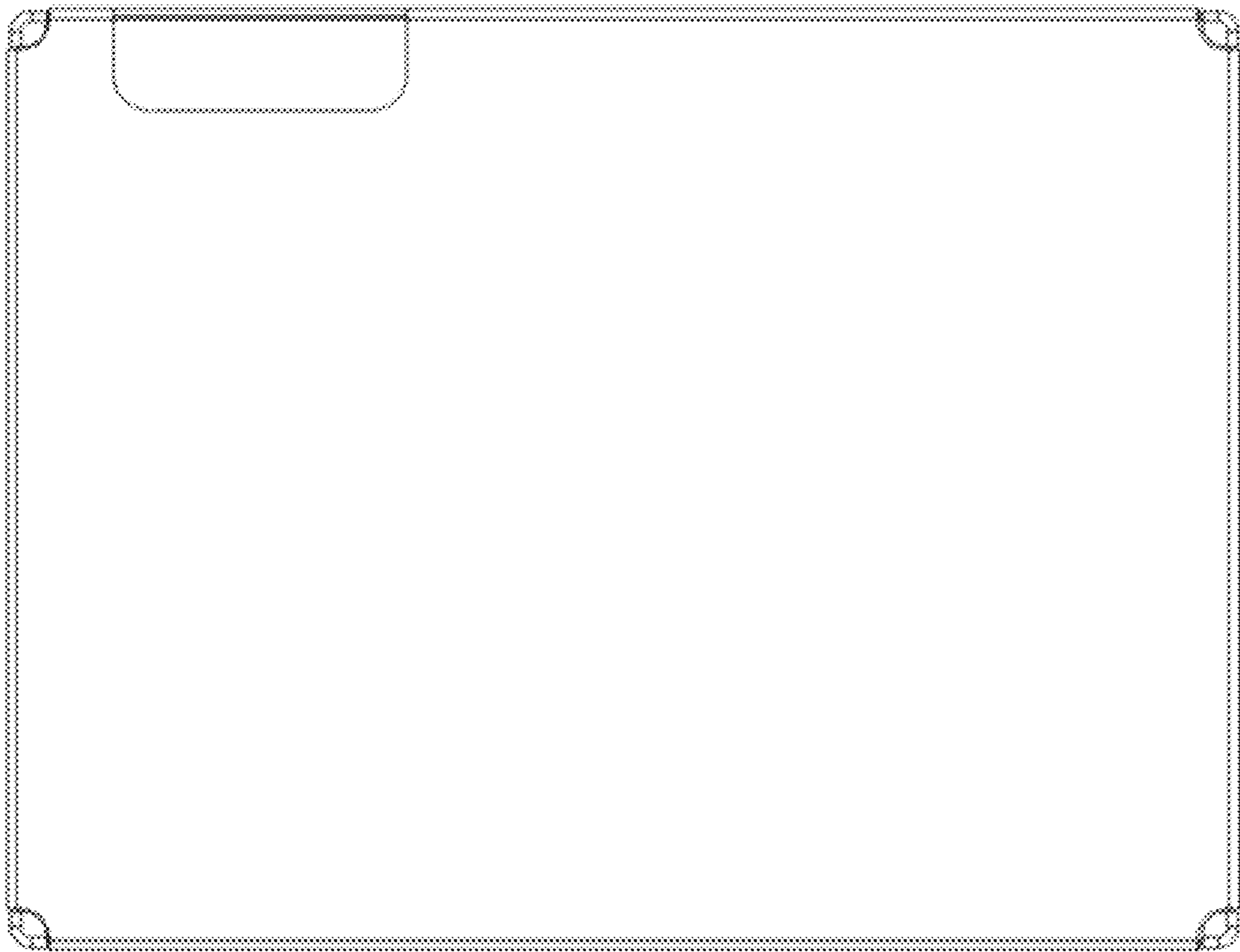
(56) **References Cited**  
U.S. PATENT DOCUMENTS  
D501,799 S \* 2/2005 Yamamoto ..... D10/52  
D518,744 S \* 4/2006 Rosen ..... D10/50

**1 Claim, 7 Drawing Sheets**

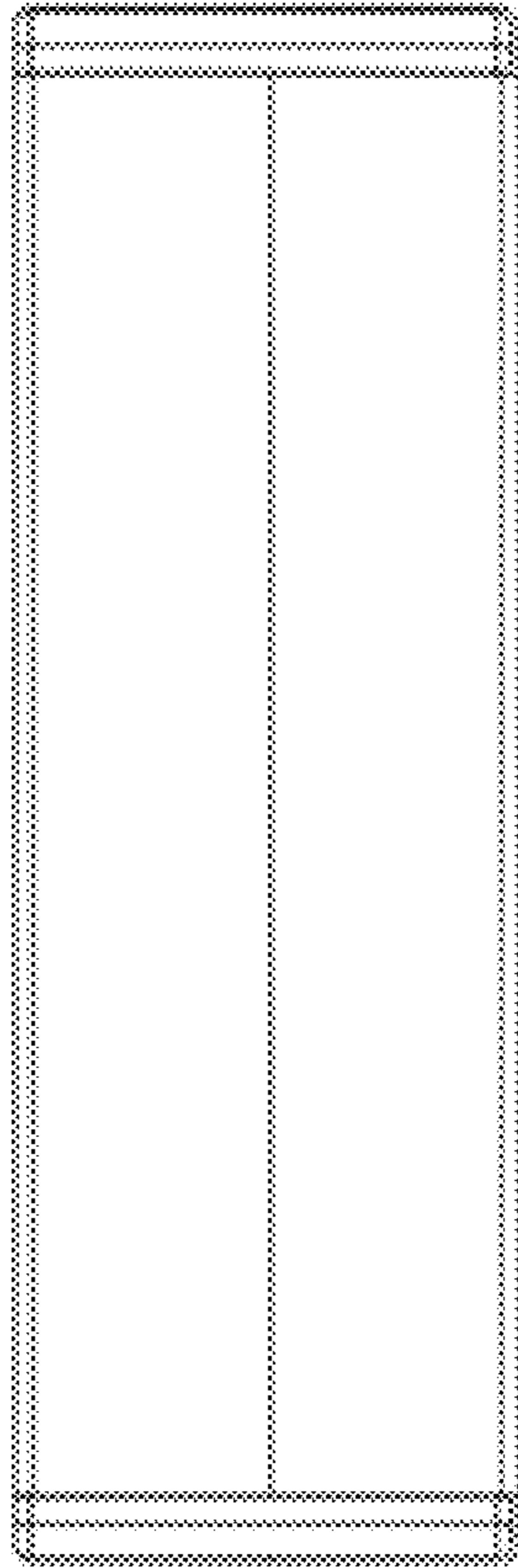




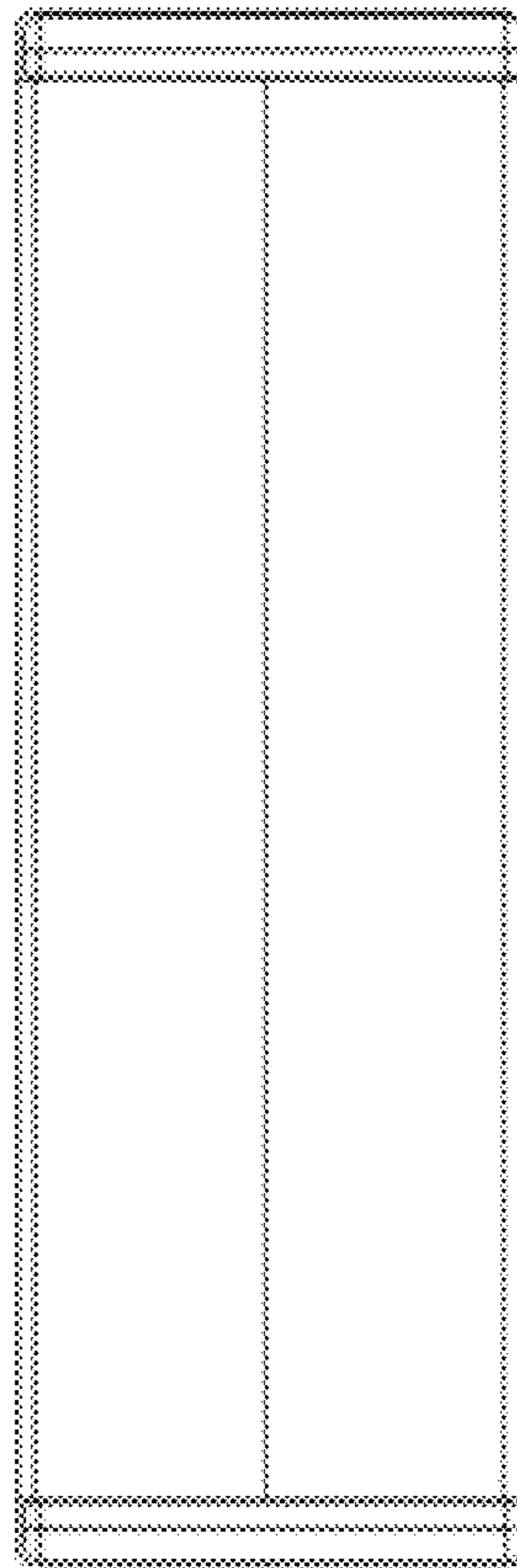
1.1



1.2



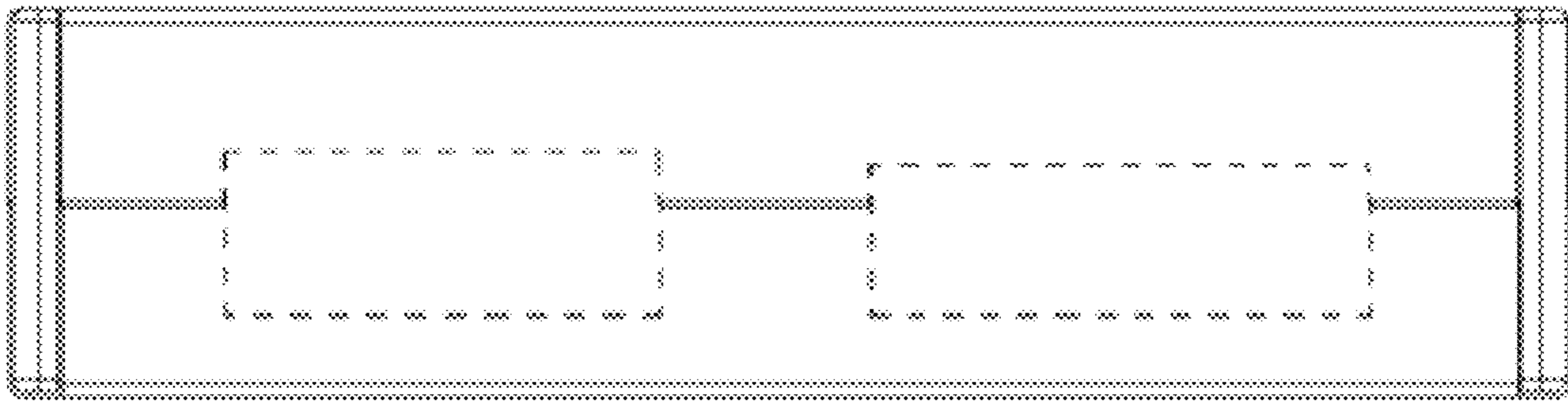
1.3



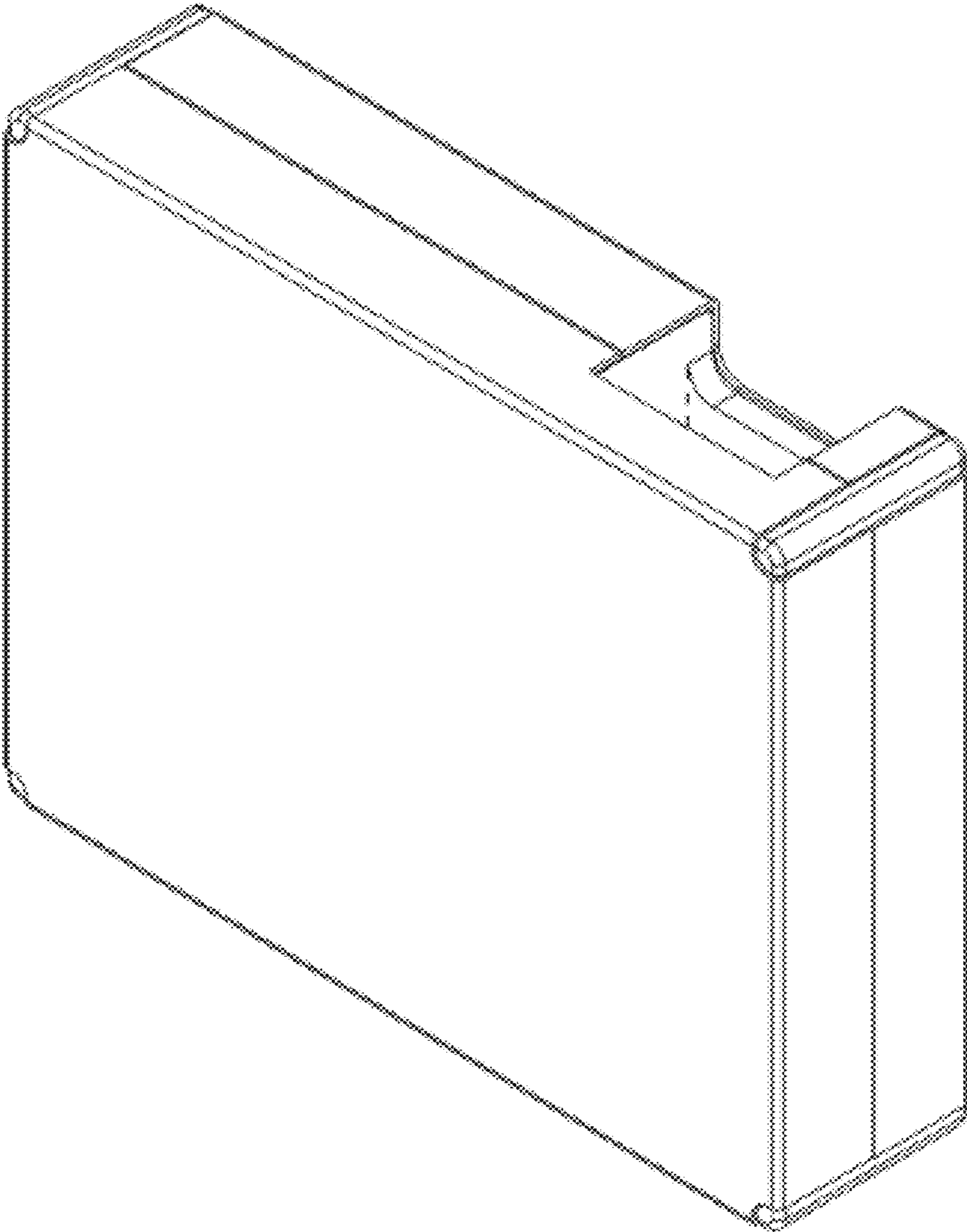
1.4



1.5



1.6



1.7