



US00D899945S

(12) **United States Design Patent** (10) **Patent No.:** **US D899,945 S**  
**Wang** (45) **Date of Patent:** **\*\* Oct. 27, 2020**

(54) **SPRINKLER TIMER**  
(71) Applicant: **Cheng-Yu Wang**, Lugu Township,  
Nantou County (TW)  
(72) Inventor: **Cheng-Yu Wang**, Lugu Township,  
Nantou County (TW)  
(\*\*) Term: **15 Years**  
(21) Appl. No.: **29/659,490**  
(22) Filed: **Aug. 9, 2018**  
(51) **LOC (12) Cl.** ..... **10-03**  
(52) **U.S. Cl.**  
USPC ..... **D10/40**  
(58) **Field of Classification Search**  
USPC ..... D10/40-42, 46, 49; D13/162, 162.1,  
D13/164, 177  
CPC ..... G04B 19/04; A01G 25/16; A01G 25/165;  
Y10T 137/87877; Y10T 137/86389  
See application file for complete search history.

D797,682 S \* 9/2017 Sharp ..... D13/162  
D857,529 S \* 8/2019 Rodriguez ..... D10/49  
10,632,489 B1 \* 4/2020 Wang ..... F16K 37/0041  
D886,645 S \* 6/2020 Chen ..... D10/40  
2015/0283572 A1 \* 10/2015 Burrous ..... B05B 3/0418  
239/76  
2016/0219804 A1 \* 8/2016 Romney ..... A01G 25/167

**OTHER PUBLICATIONS**

Tacklife Watering Timer Solar Powered Garden Timer | amazon.com no posting date [online]. © 1996-2020, Amazon.com, Inc [retrieved Jul. 10, 2020] from Internet: <https://www.amazon.com/TACKLIFE-Watering-Display-Comfortable-Single-Valve/dp/B07DN8KYGG> (Year: 2020).\*

\* cited by examiner

*Primary Examiner* — Sandra Snapp  
*Assistant Examiner* — Katherine Glennon  
(74) *Attorney, Agent, or Firm* — Egbert Law Offices, PLLC

(57) **CLAIM**

The ornamental design for a sprinkler timer, as shown and described.

**DESCRIPTION**

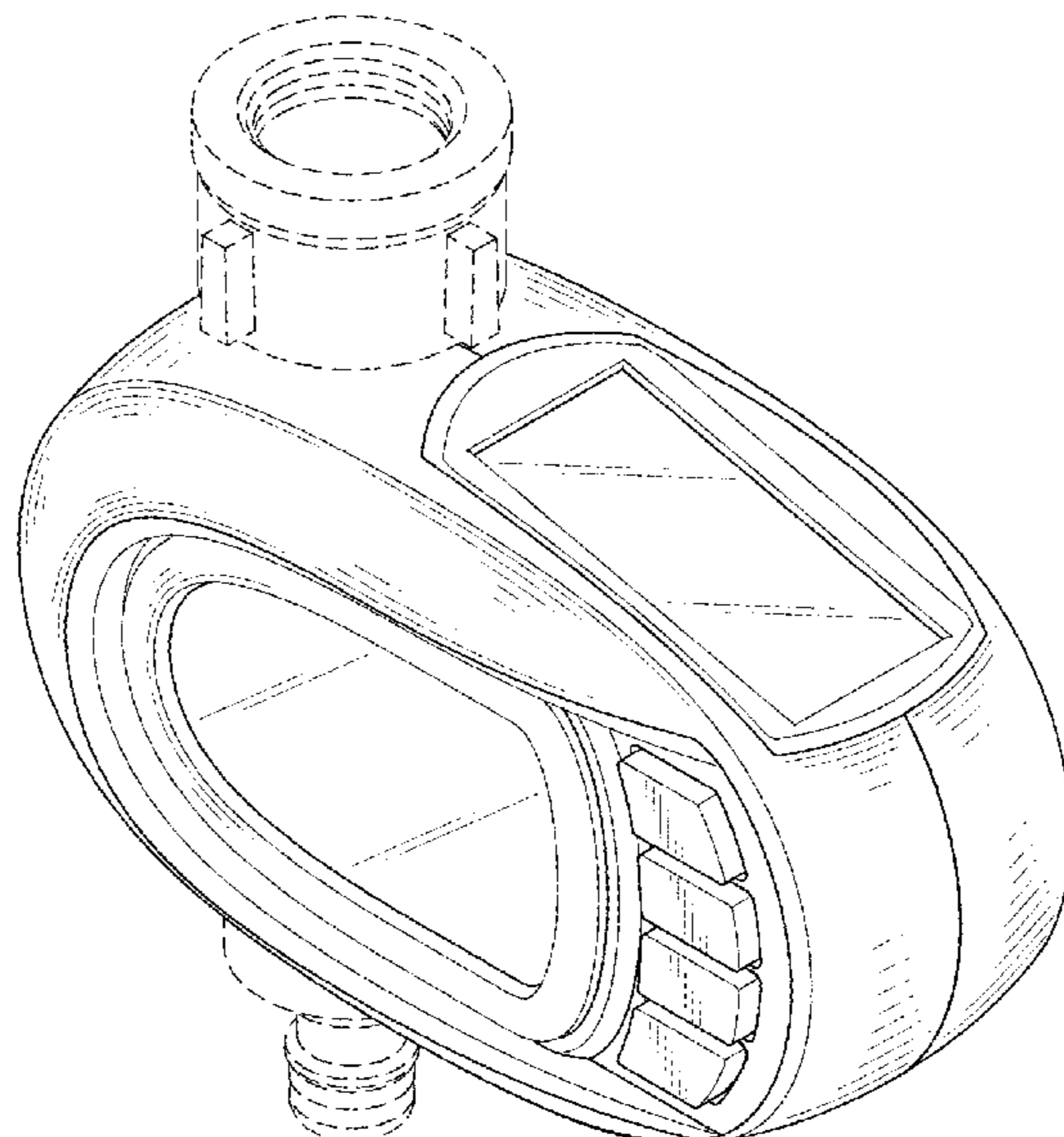
FIG. 1 is a perspective view of a sprinkler timer showing my new design;  
FIG. 2 is a front elevation view thereof;  
FIG. 3 is a rear elevation view thereof;  
FIG. 4 is a left side view thereof;  
FIG. 5 is a right side view thereof;  
FIG. 6 is a top plan view thereof; and,  
FIG. 7 is a bottom plan view thereof.  
The features presented in broken lines are for illustrating environmental structure only and form no part of the claimed design.

**1 Claim, 7 Drawing Sheets**

(56) **References Cited**

**U.S. PATENT DOCUMENTS**

D368,230 S \* 3/1996 Cohen ..... D10/40  
D430,044 S \* 8/2000 Clivio ..... D10/40  
D451,411 S \* 12/2001 Jacobs ..... D10/40  
D467,187 S \* 12/2002 Clivio ..... A01G 25/165  
D567,680 S \* 4/2008 Michael ..... D10/40  
D658,519 S \* 5/2012 Connolly ..... D10/40  
D682,714 S \* 5/2013 Barton ..... D10/40  
D682,715 S \* 5/2013 Wang ..... D10/40  
D691,055 S \* 10/2013 Dalton ..... D10/40  
D713,270 S \* 9/2014 Chandran ..... D10/40  
D713,271 S \* 9/2014 Ericksen ..... A01G 25/165  
D714,663 S \* 10/2014 Chandran ..... D10/40  
D725,503 S \* 3/2015 Chandran ..... D10/40  
D781,160 S \* 3/2017 Ericksen ..... D10/40  
9,684,312 B1 \* 6/2017 Eyring ..... F24F 11/62



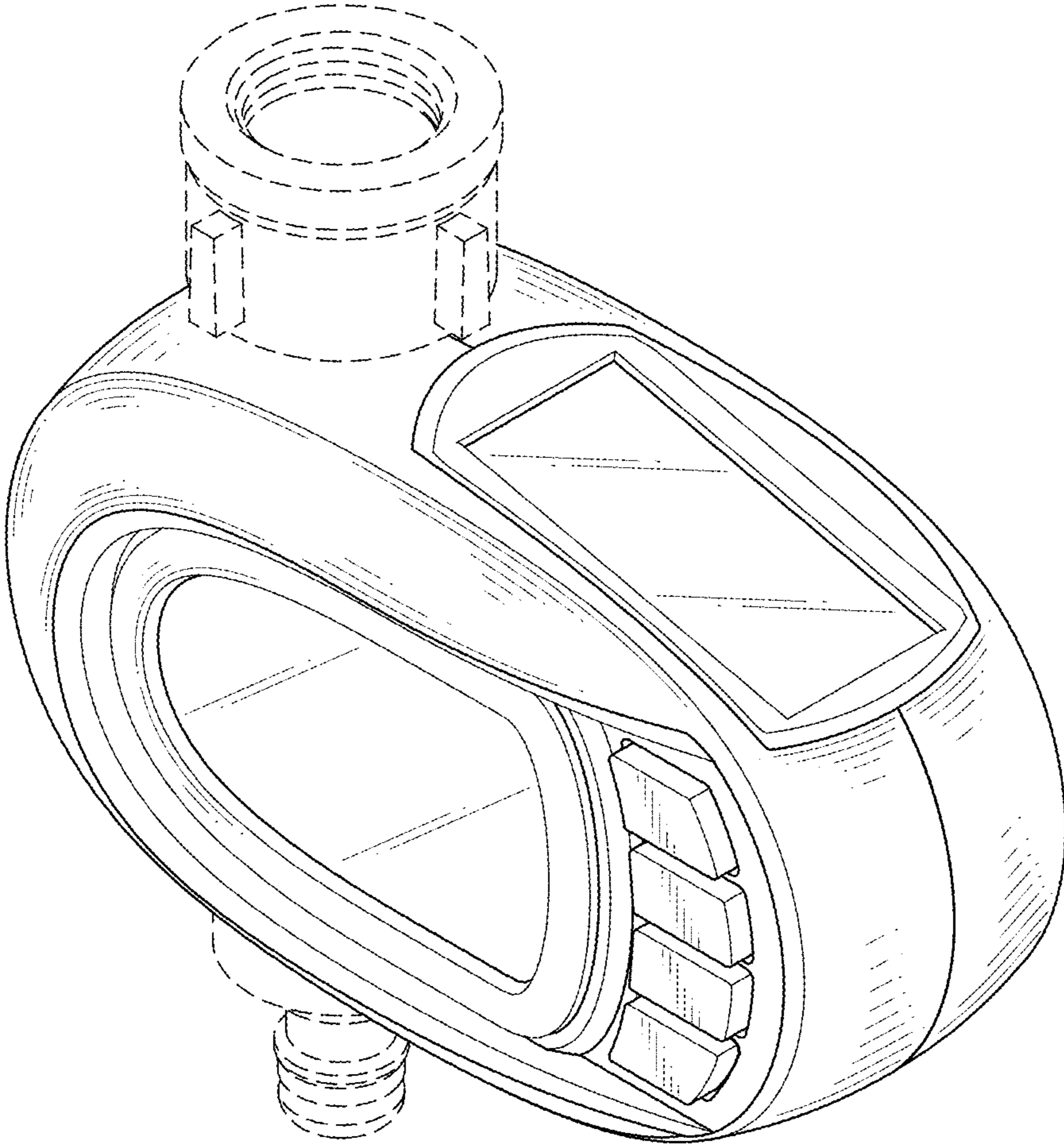


FIG. 1

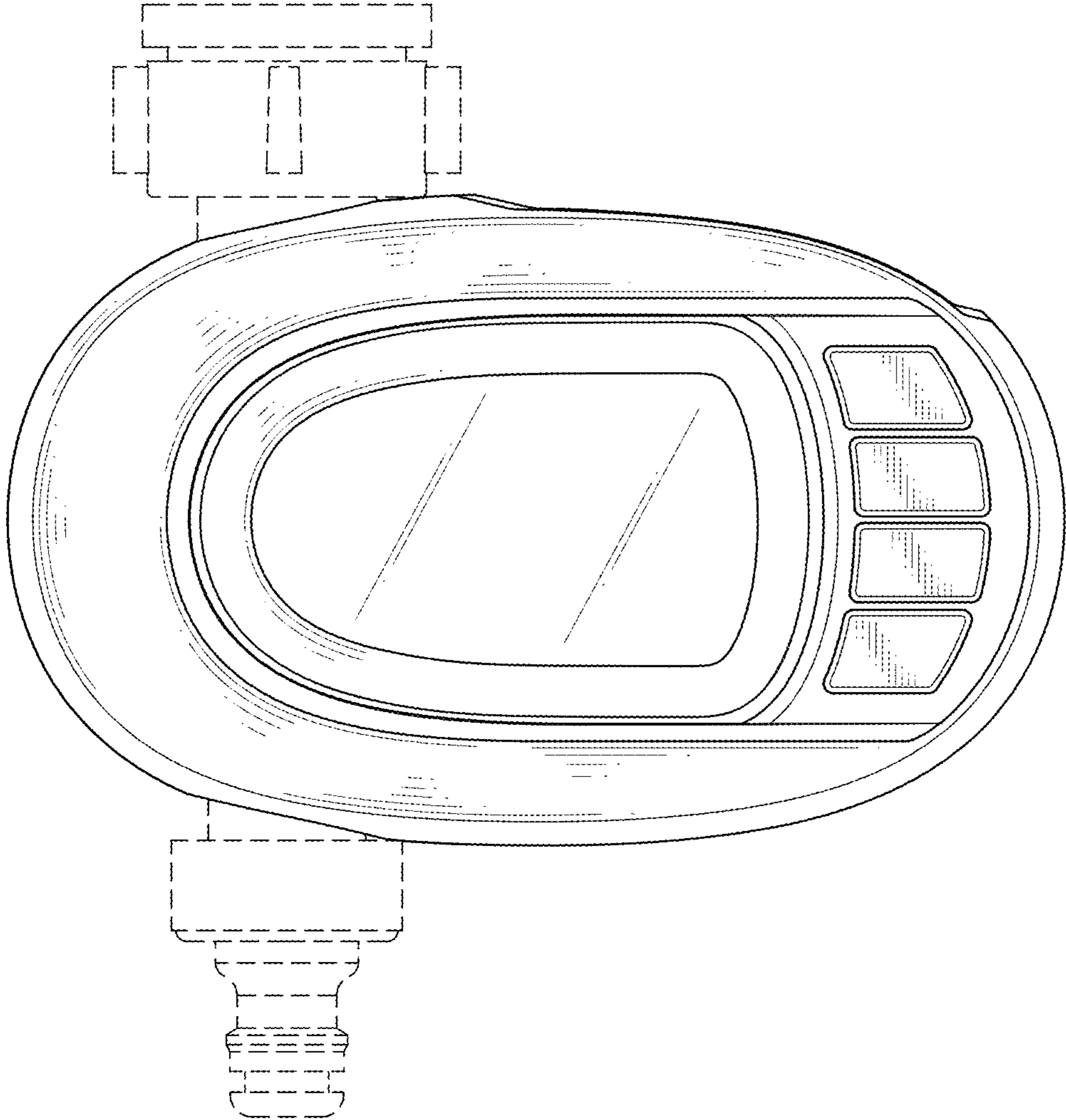


FIG. 2

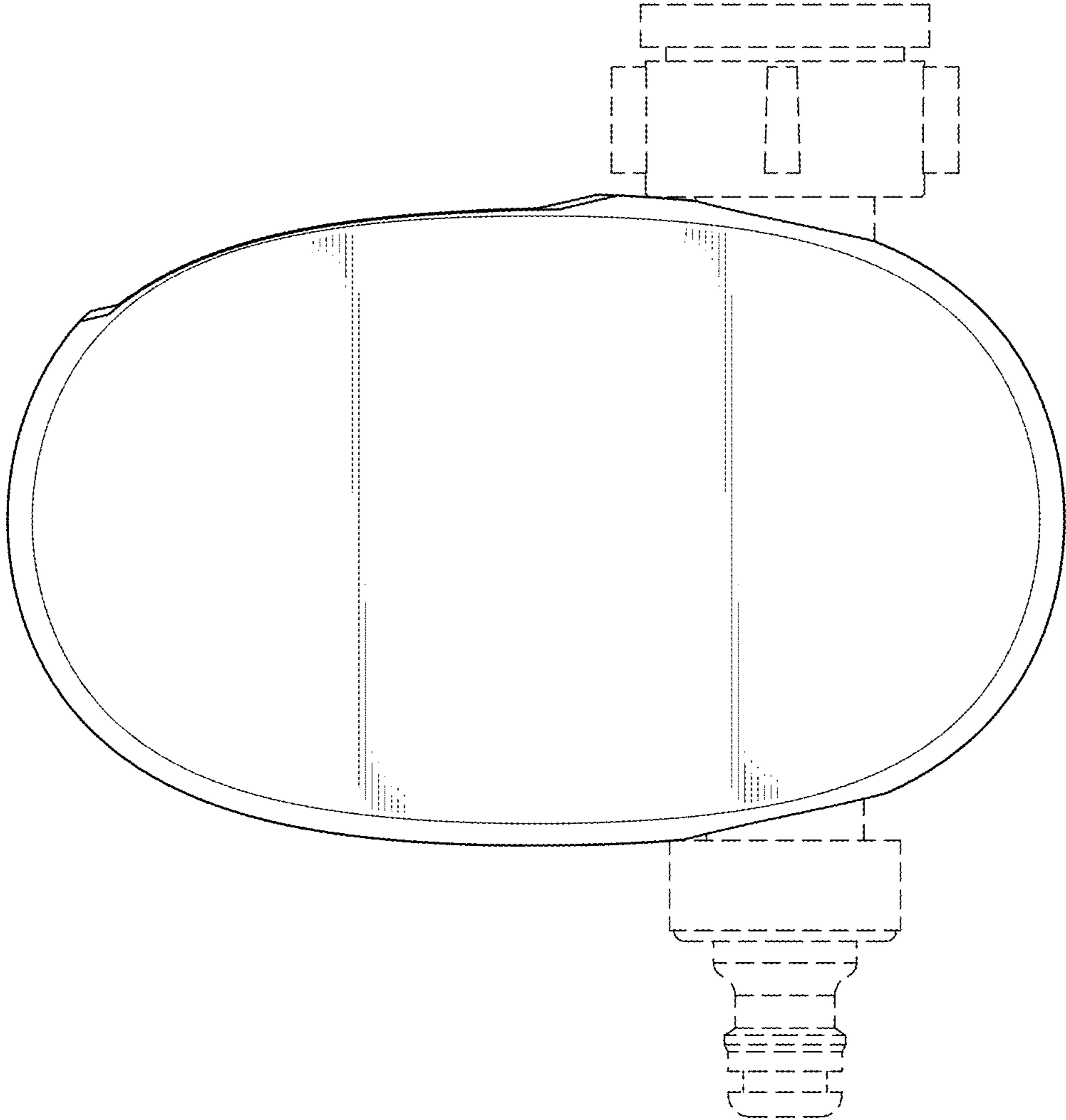


FIG. 3

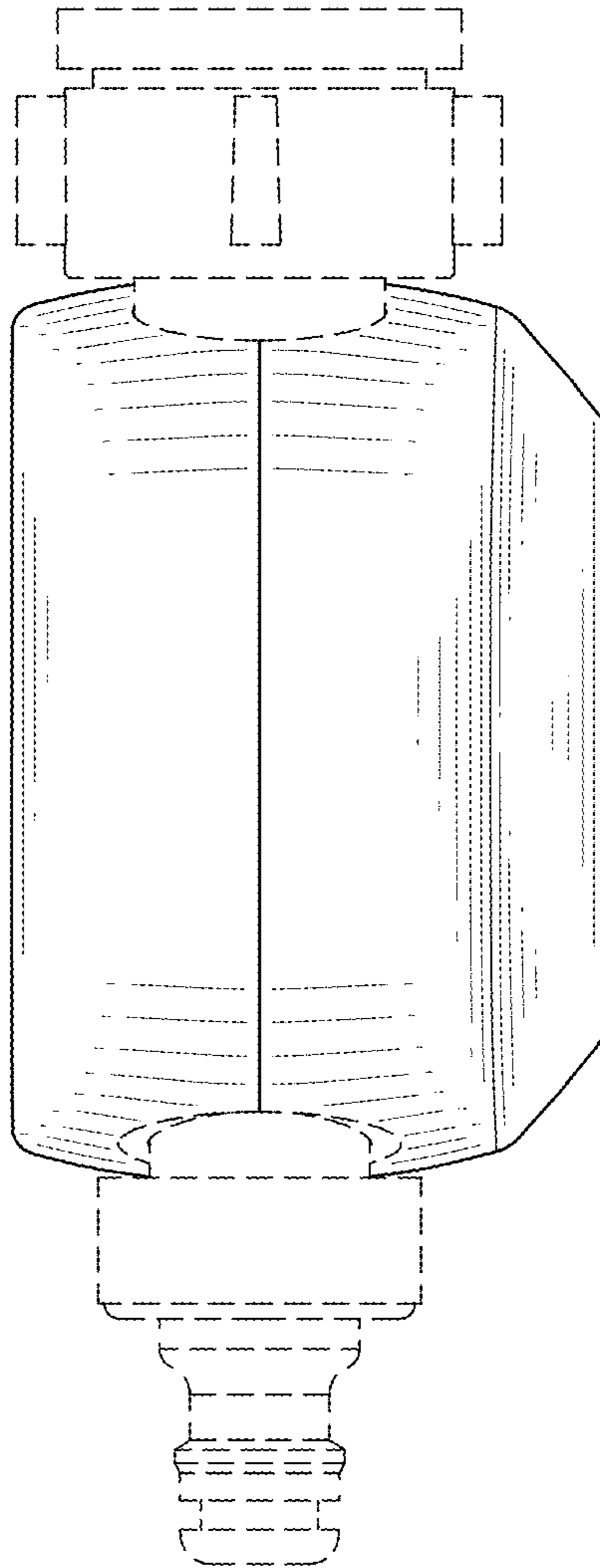


FIG. 4

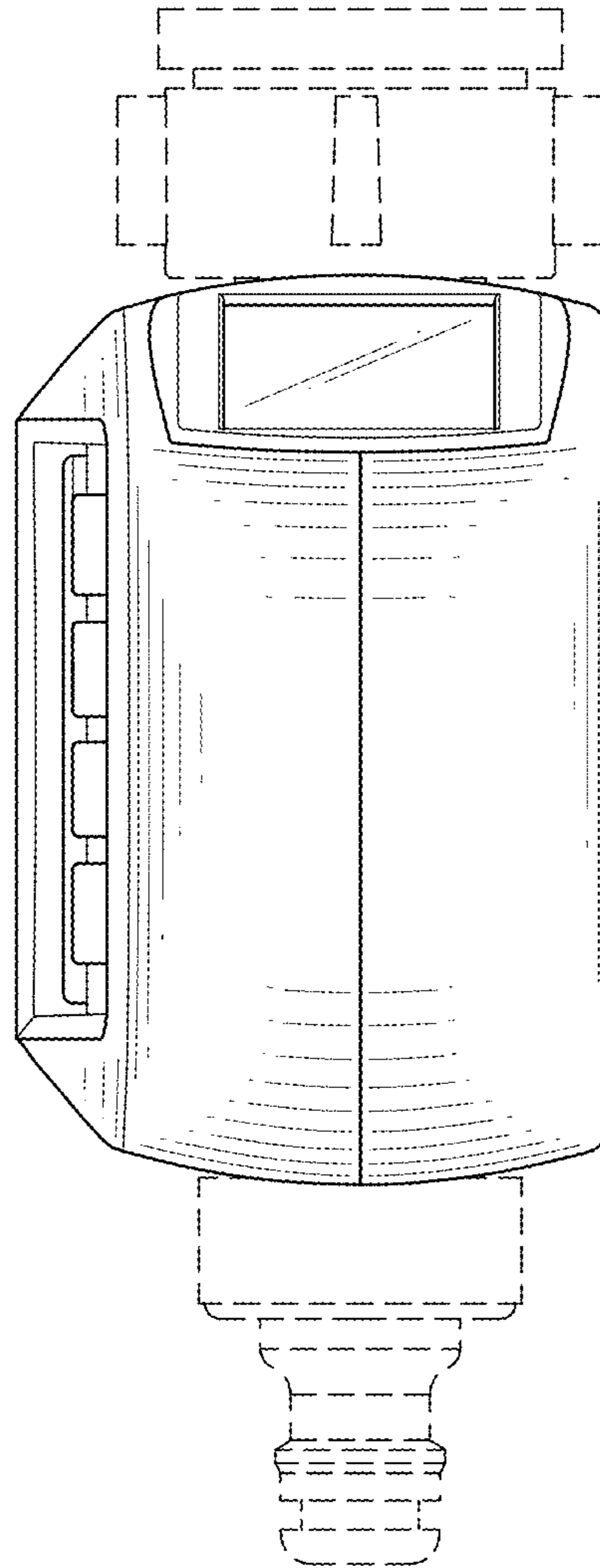


FIG. 5

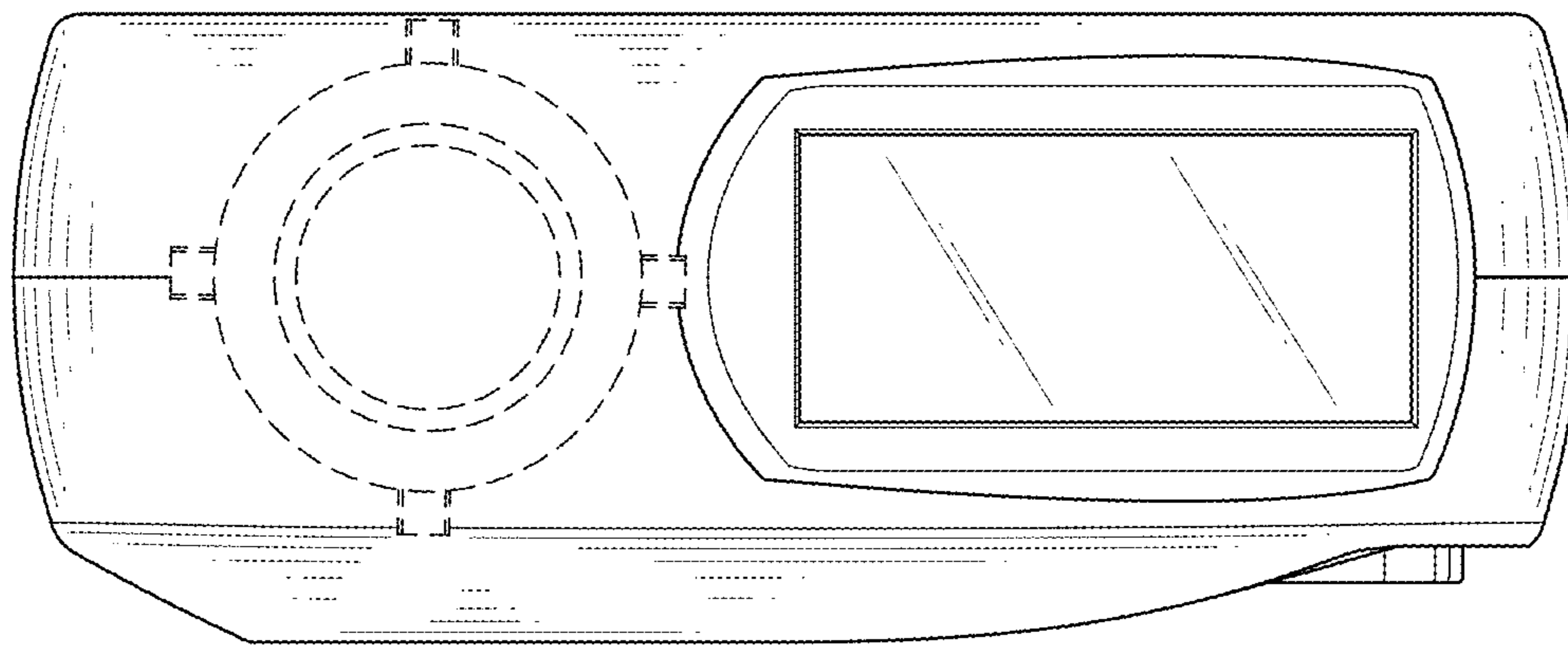


FIG. 6

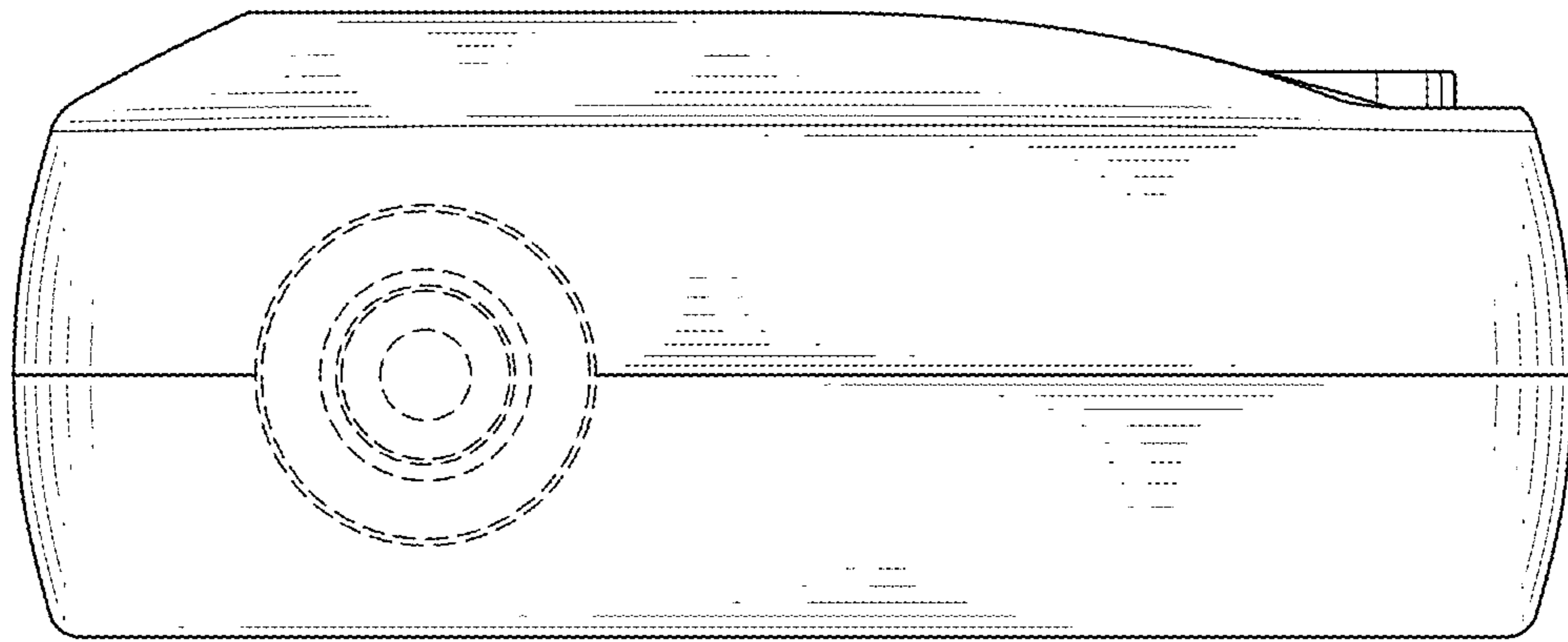


FIG. 7