

US00D899940S

(12) **United States Design Patent**
Wiseman

(10) **Patent No.:** **US D899,940 S**

(45) **Date of Patent:** **** *Oct. 27, 2020**

(54) **FORTUNE COOKIE SHAPED CONTAINER**

(71) Applicant: **WOWWEE GROUP LTD.**, TST East (HK)

(72) Inventor: **Sydney Wiseman**, Montreal (CA)

(73) Assignee: **WOWWEE GROUP LTD.**, TST East (HK)

(*) Notice: This patent is subject to a terminal disclaimer.

(**) Term: **15 Years**

(21) Appl. No.: **29/692,605**

(22) Filed: **May 28, 2019**

(51) **LOC (12) Cl.** **09-01**

(52) **U.S. Cl.**
USPC **D9/643; D7/539; D7/567; D1/128**

(58) **Field of Classification Search**
USPC **D9/643; D7/539, 544, 556, 567, 577, D7/571; D1/128**

CPC **A21D 13/48; A23G 4/205; A23G 4/20; A63F 1/10**
See application file for complete search history.

(56) **References Cited**

U.S. PATENT DOCUMENTS

D378,474 S * 3/1997 Herzog D3/271.8
D436,391 S * 1/2001 Sannito D21/813
7,144,010 B2 * 12/2006 Shanahan A63F 1/00
273/292
D586,229 S * 2/2009 Pallotto D7/539

D639,609 S * 6/2011 Piacenza D7/539
D648,980 S * 11/2011 Forti D7/363
D831,928 S * 10/2018 Martinez D1/128
D844,446 S * 4/2019 Vaccarella D9/643
D877,622 S * 3/2020 Wu D9/643
2007/0077330 A1 * 4/2007 Factor A23G 4/20
426/3
2007/0195774 A1 * 8/2007 Sherman H04L 69/16
370/392
2019/0174777 A1 * 6/2019 Schmuck A21D 13/48

* cited by examiner

Primary Examiner — Marianne N Pandozzi

(74) *Attorney, Agent, or Firm* — Epstein Drangel LLP;
Robert L. Epstein

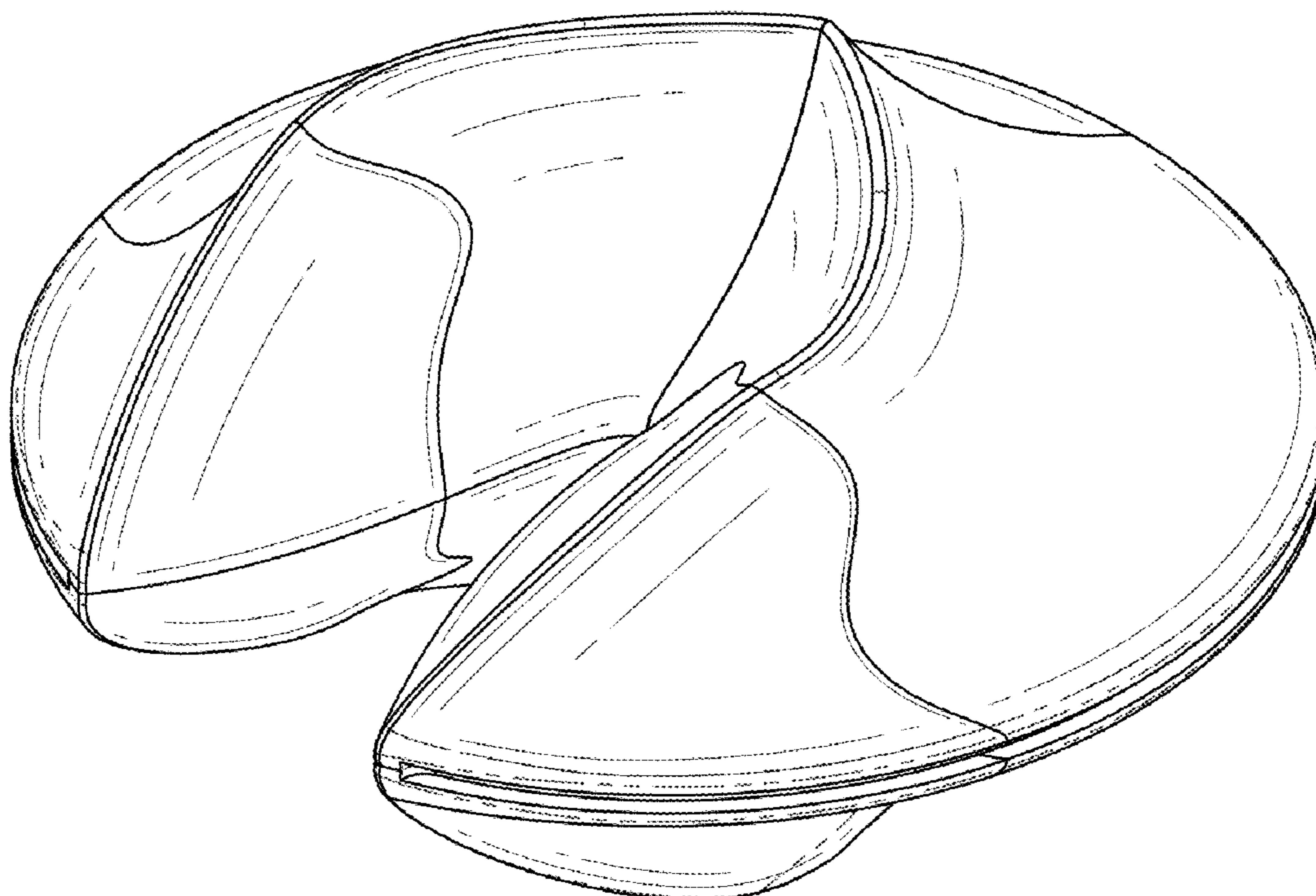
(57) **CLAIM**

The ornamental design for a fortune cookie shaped container, substantially as shown and described.

DESCRIPTION

FIG. 1 is a perspective view of the fortune cookie shaped container showing the front, left side and top of the design; FIG. 2 is a front elevation view thereof; FIG. 3 is a rear elevation view thereof; FIG. 4 is an elevation view of the left side thereof; FIG. 5 is an elevation view of the right side thereof; FIG. 6 is a top plan view thereof; FIG. 7 is a bottom plan view thereof; and, FIG. 8 is a perspective view of the fortune cookie shaped container in open configuration.

1 Claim, 6 Drawing Sheets



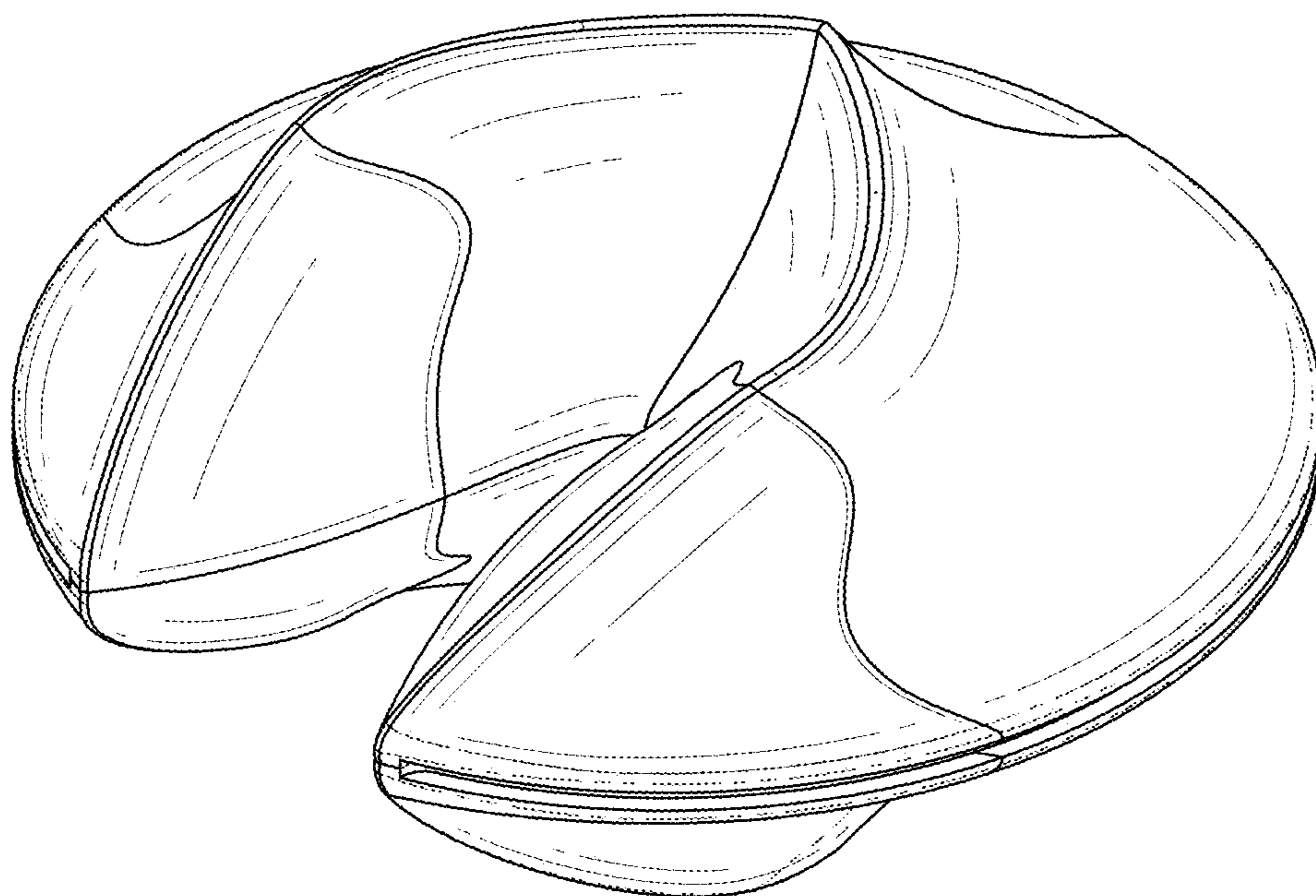


FIG. 1

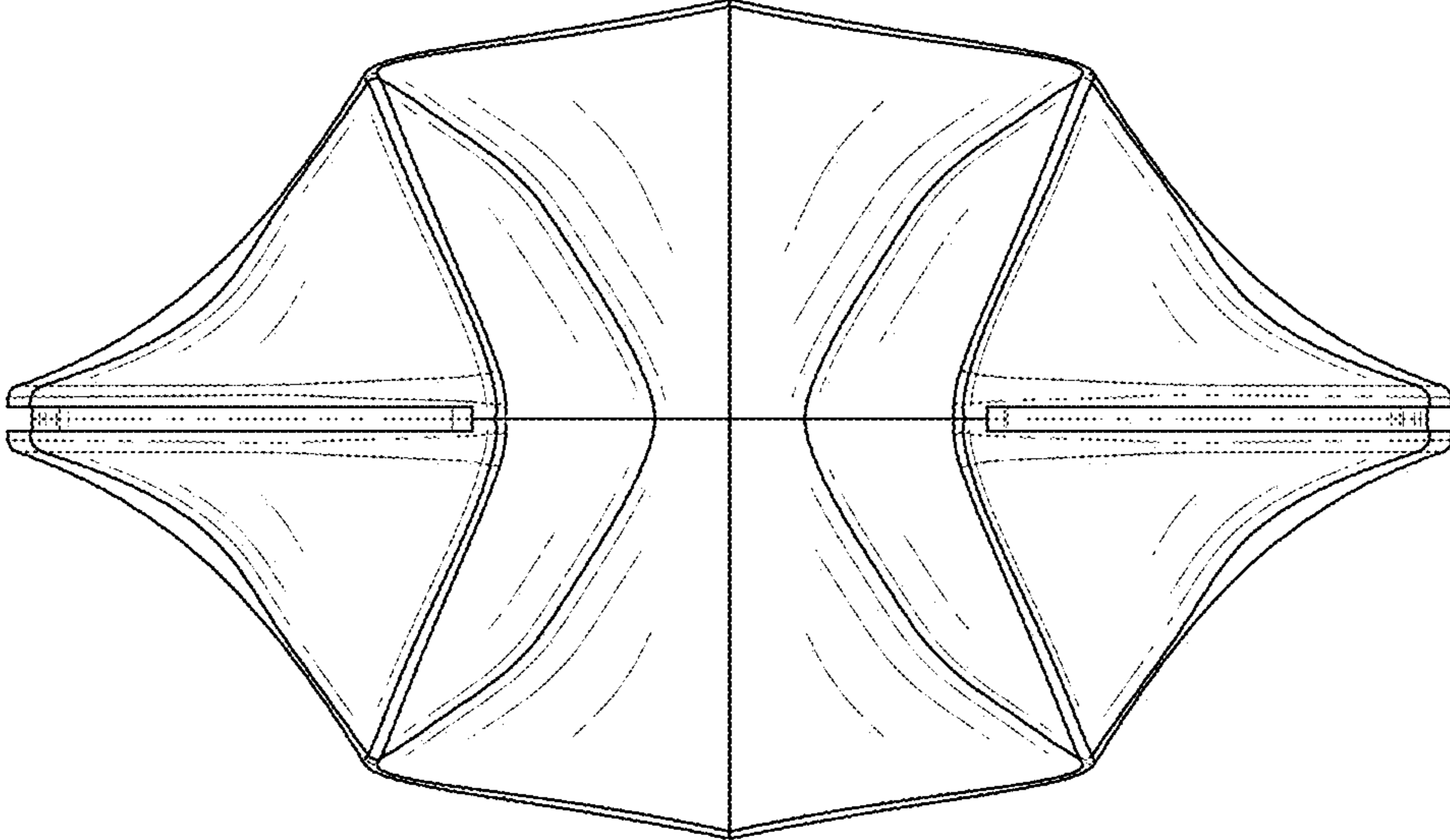


FIG. 2

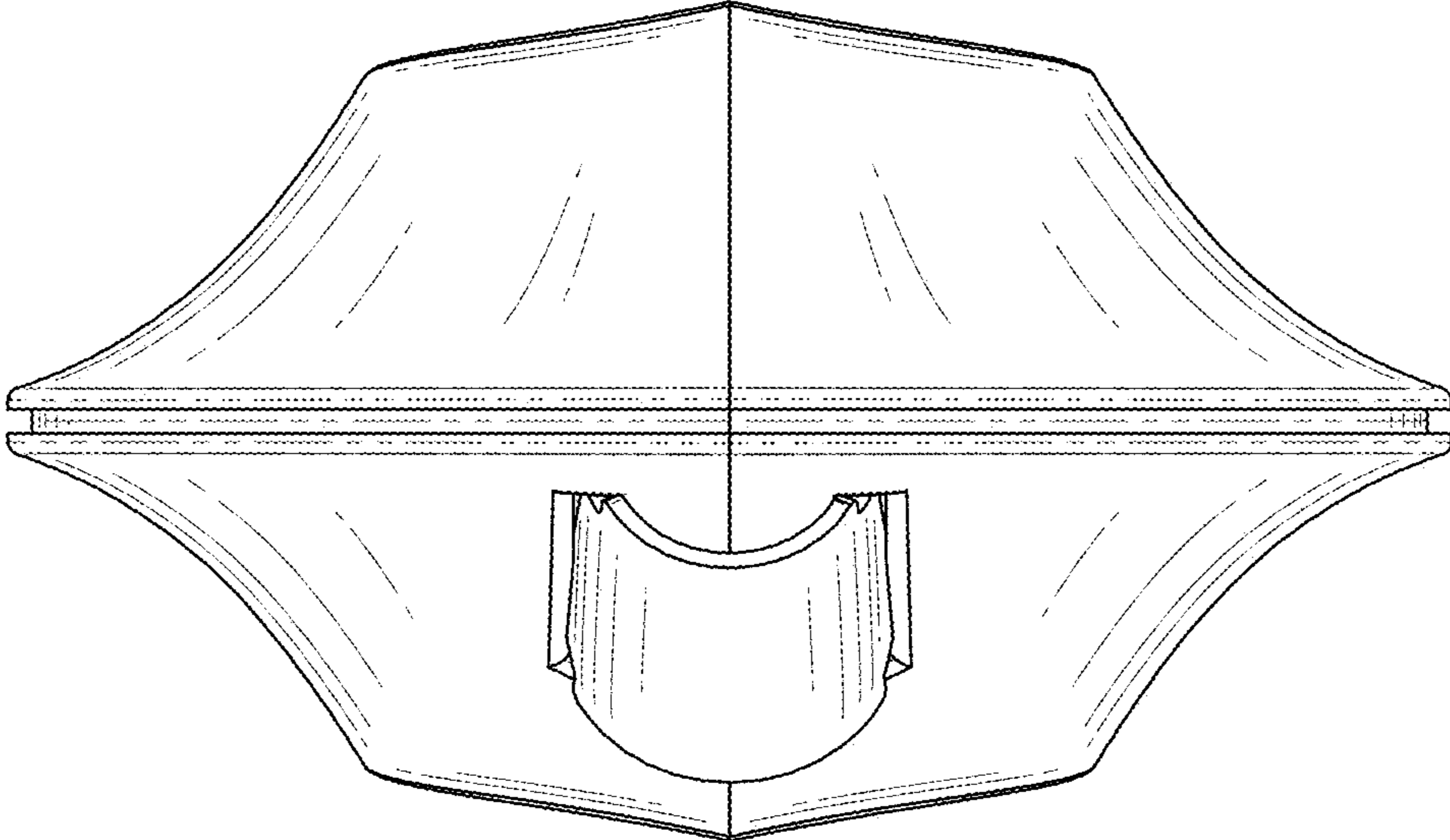


FIG. 3

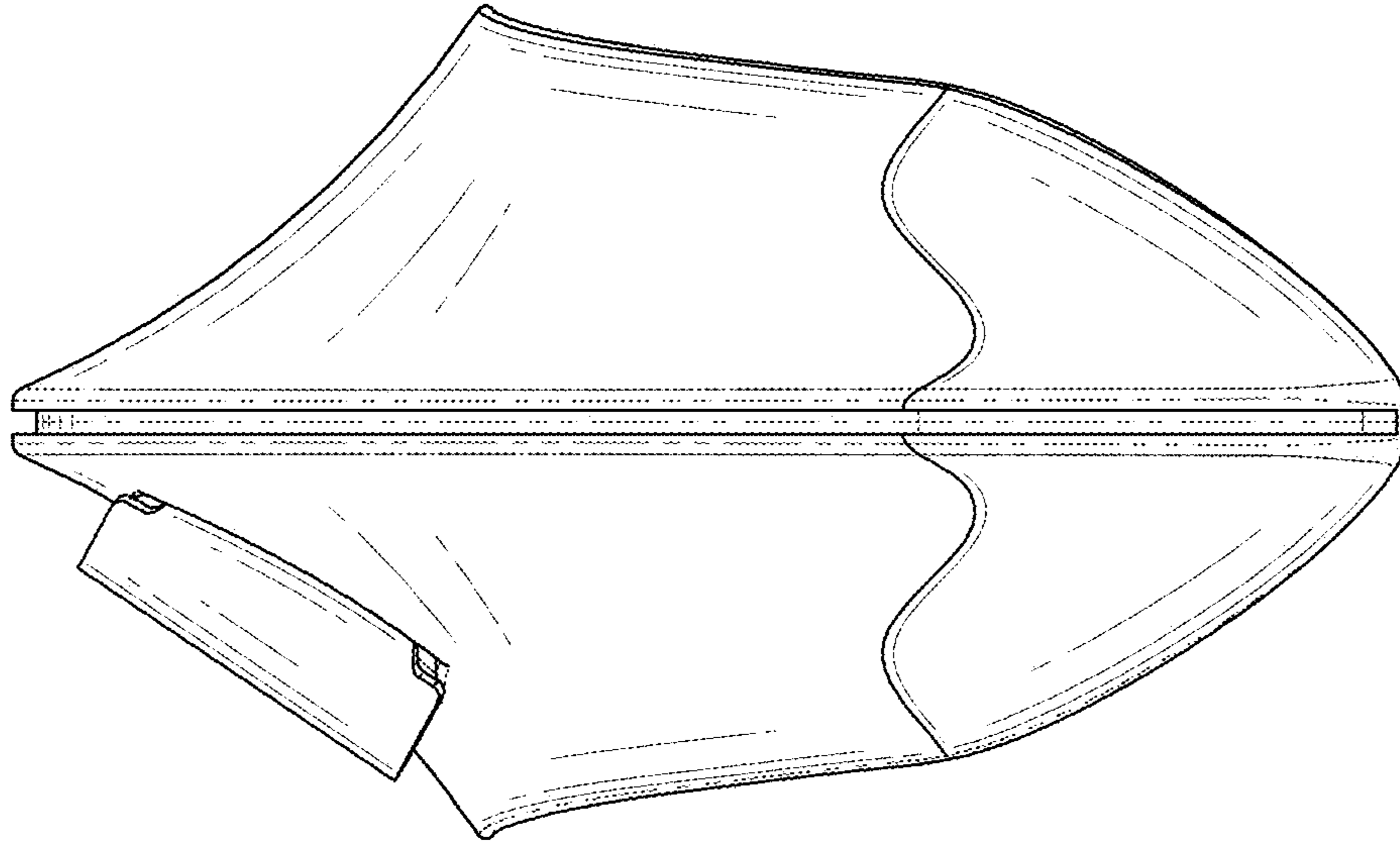


FIG. 4

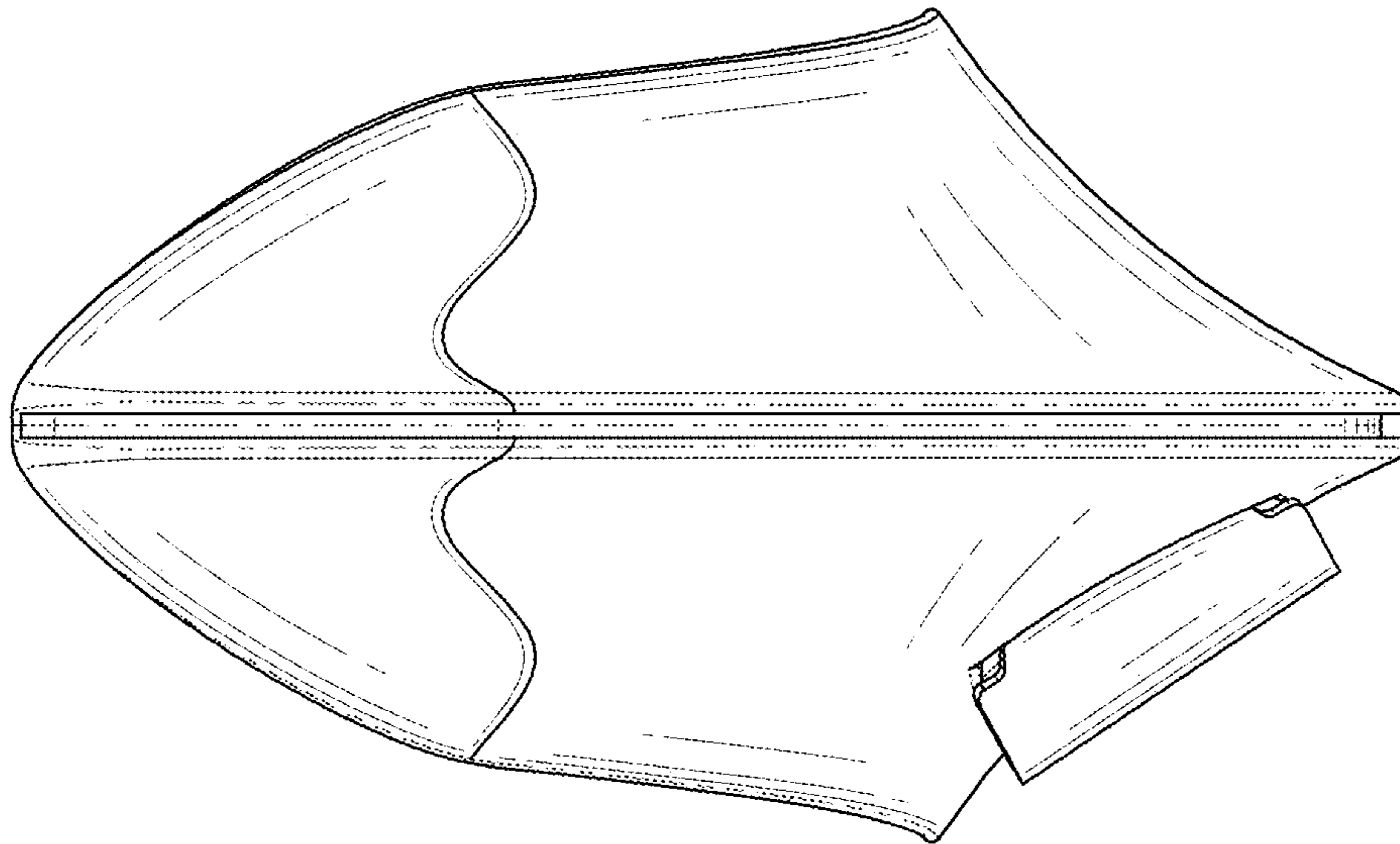


FIG. 5

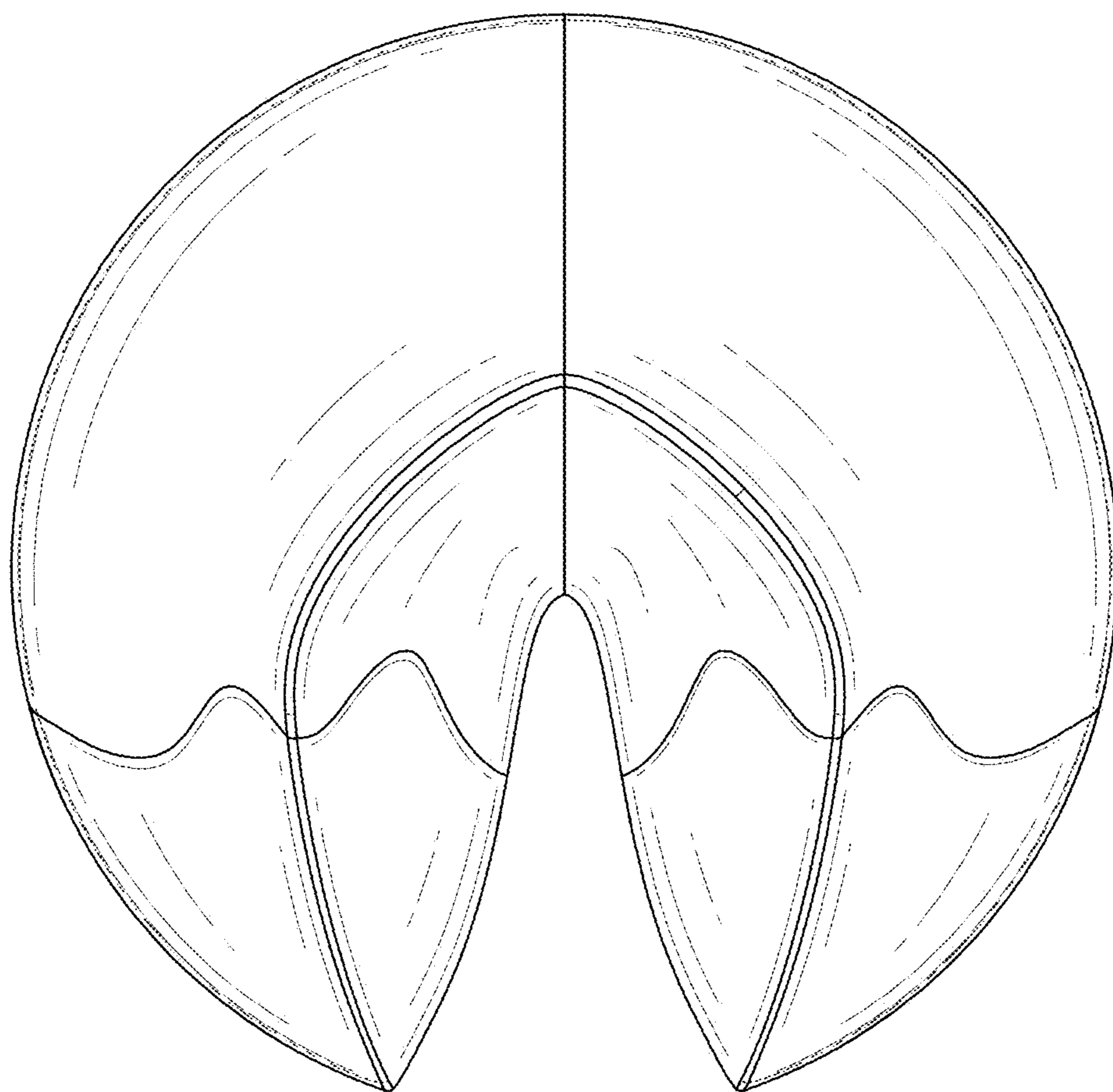


FIG. 6

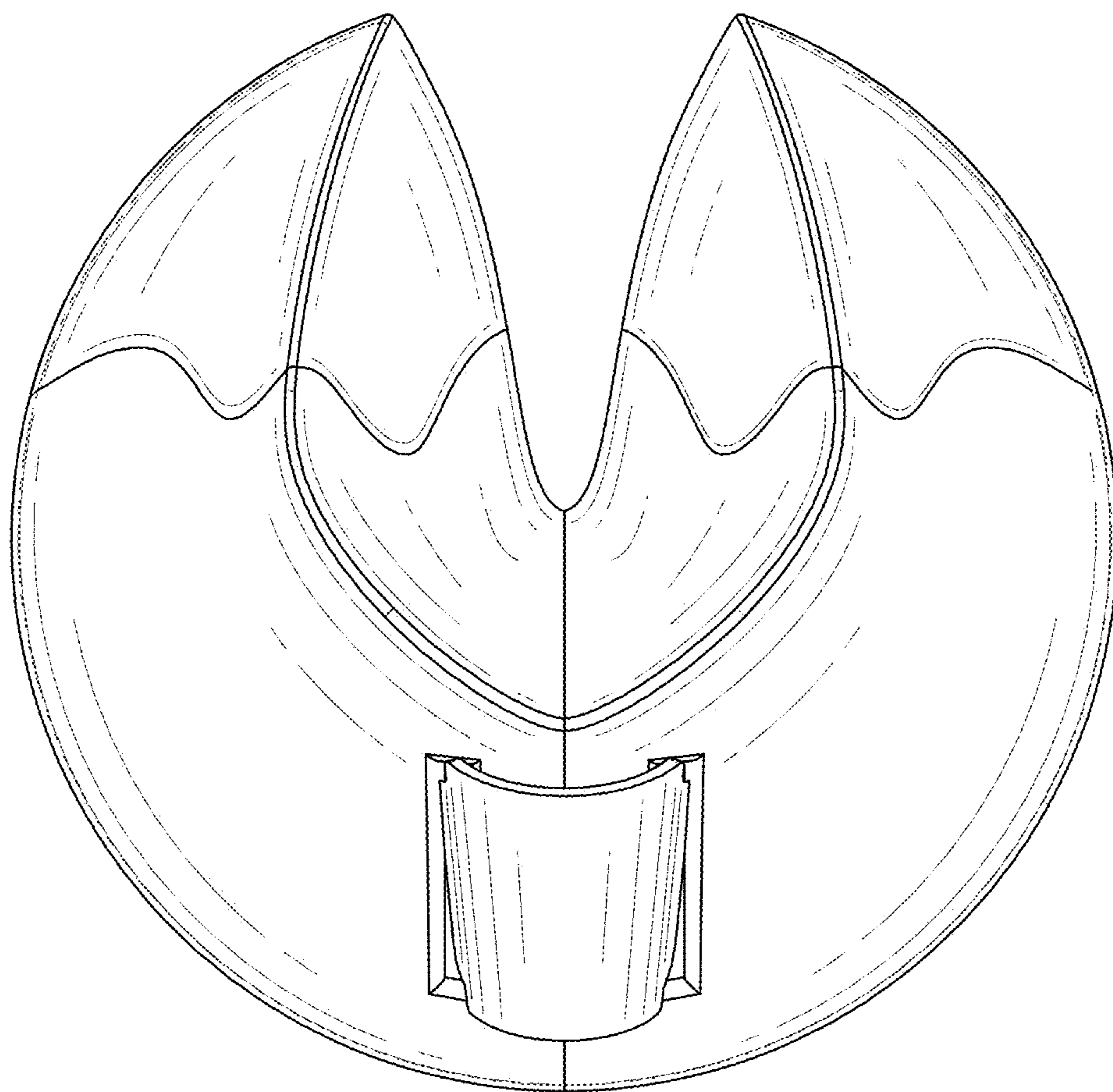


FIG. 7

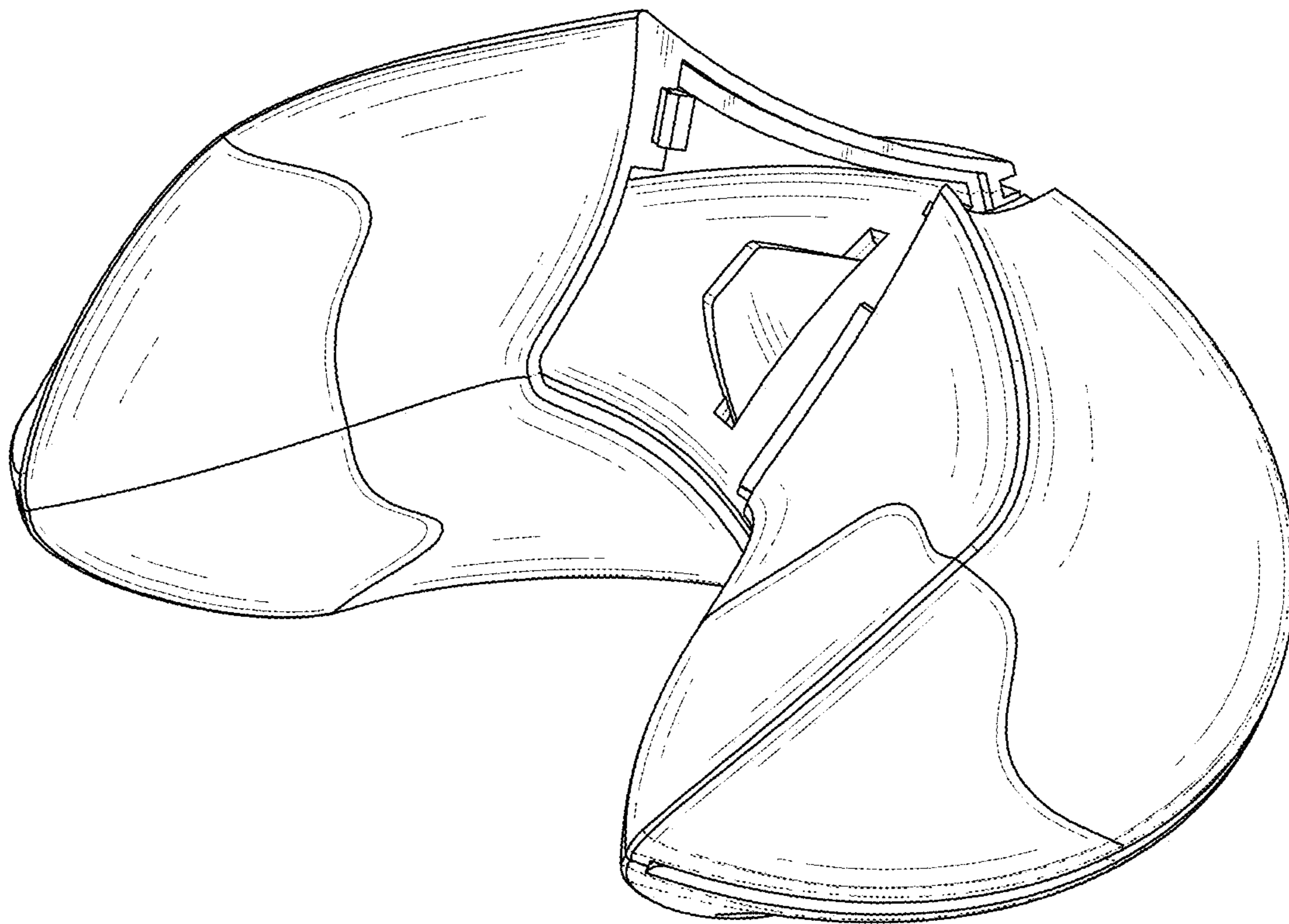


FIG. 8