



US00D899934S

(12) **United States Design Patent**
Lee et al.

(10) **Patent No.:** **US D899,934 S**

(45) **Date of Patent:** **** Oct. 27, 2020**

(54) **POUR SPOUT FOR BEER BREWING
CONTAINER**

(71) Applicant: **LG ELECTRONICS INC.**, Seoul
(KR)

(72) Inventors: **Hophil Lee**, Seoul (KR); **Jinpyo Hong**,
Seoul (KR); **Daekee Shin**, Seoul (KR)

(73) Assignee: **LG ELECTRONICS INC.**, Seoul
(KR)

(**) Term: **15 Years**

(21) Appl. No.: **35/507,719**

(22) Filed: **Apr. 23, 2019**

(80) **Hague Agreement Data**

Int. Filing Date: **Apr. 23, 2019**
Int. Reg. No.: **DM/203780**
Int. Reg. Date: **Apr. 23, 2019**
Int. Reg. Pub. Date: **Nov. 8, 2019**

(51) **LOC (12) Cl.** **09-07**

(52) **U.S. Cl.**
USPC **D9/447**

(58) **Field of Classification Search**
USPC D9/434, 499, 435, 436, 440, 443, 447,
D9/454; D7/392.1, 396.2, 300, 392,
D7/396.3, 397, 398, 400; D23/209, 260,
D23/261
CPC B65D 47/04; B65D 43/02; B65D 45/02
See application file for complete search history.

(56) **References Cited**

U.S. PATENT DOCUMENTS

2,744,631 A * 5/1956 Toombs A47G 19/2211
210/469
D320,942 S * 10/1991 Lillelund D9/434
D343,228 S * 1/1994 Colin D23/261
D407,944 S * 4/1999 Filbrun D7/388
D418,413 S * 1/2000 Stern D9/434

D553,225 S * 10/2007 Wolf D23/261
D730,731 S * 6/2015 Bewley, Jr. D9/447
D772,713 S * 11/2016 Chapman D9/434
D795,061 S * 8/2017 Bacallao D9/434
D829,065 S * 9/2018 Marantis D7/700
D838,816 S * 1/2019 Gerger D23/260
D839,739 S * 2/2019 Stammen D9/454
D843,551 S * 3/2019 Pople D23/261
D845,446 S * 4/2019 Seybel D23/260
D856,073 S * 8/2019 Reed D7/398
D857,497 S * 8/2019 Stammen D9/434
D871,832 S * 1/2020 Marina D7/392.1

OTHER PUBLICATIONS

Cnet. LG takes up the mantle of brewer with HomeBrew countertop
beer bot. Jan. 7, 2019. <https://www.cnet.com/news/lg-takes-up-the-mantle-of-brewer-with-homebrew-countertop-beer-bot/> (Year: 2019).*

* cited by examiner

Primary Examiner — Darcey E Gottschalk
(74) *Attorney, Agent, or Firm* — Birch, Stewart, Kolasch
& Birch, LLP

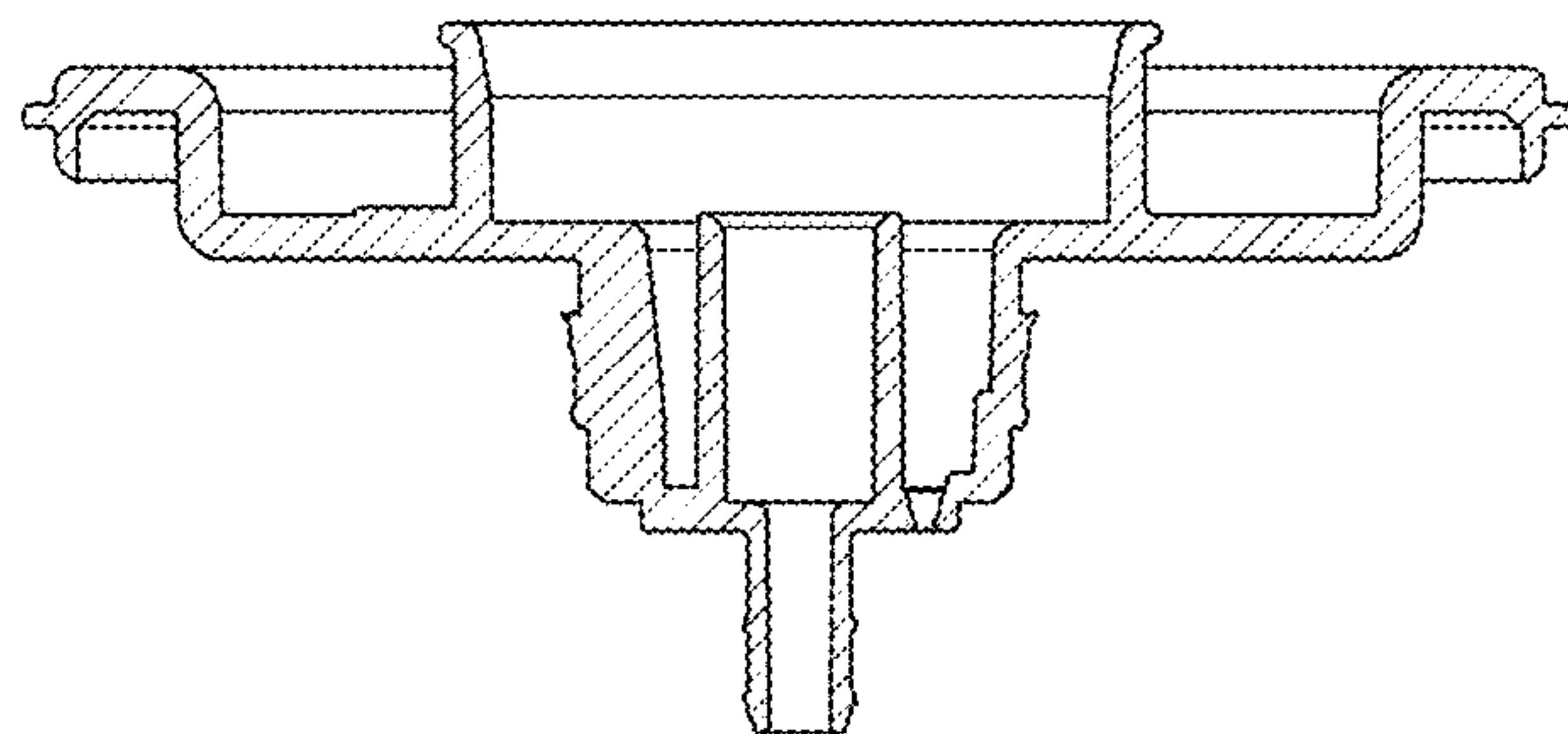
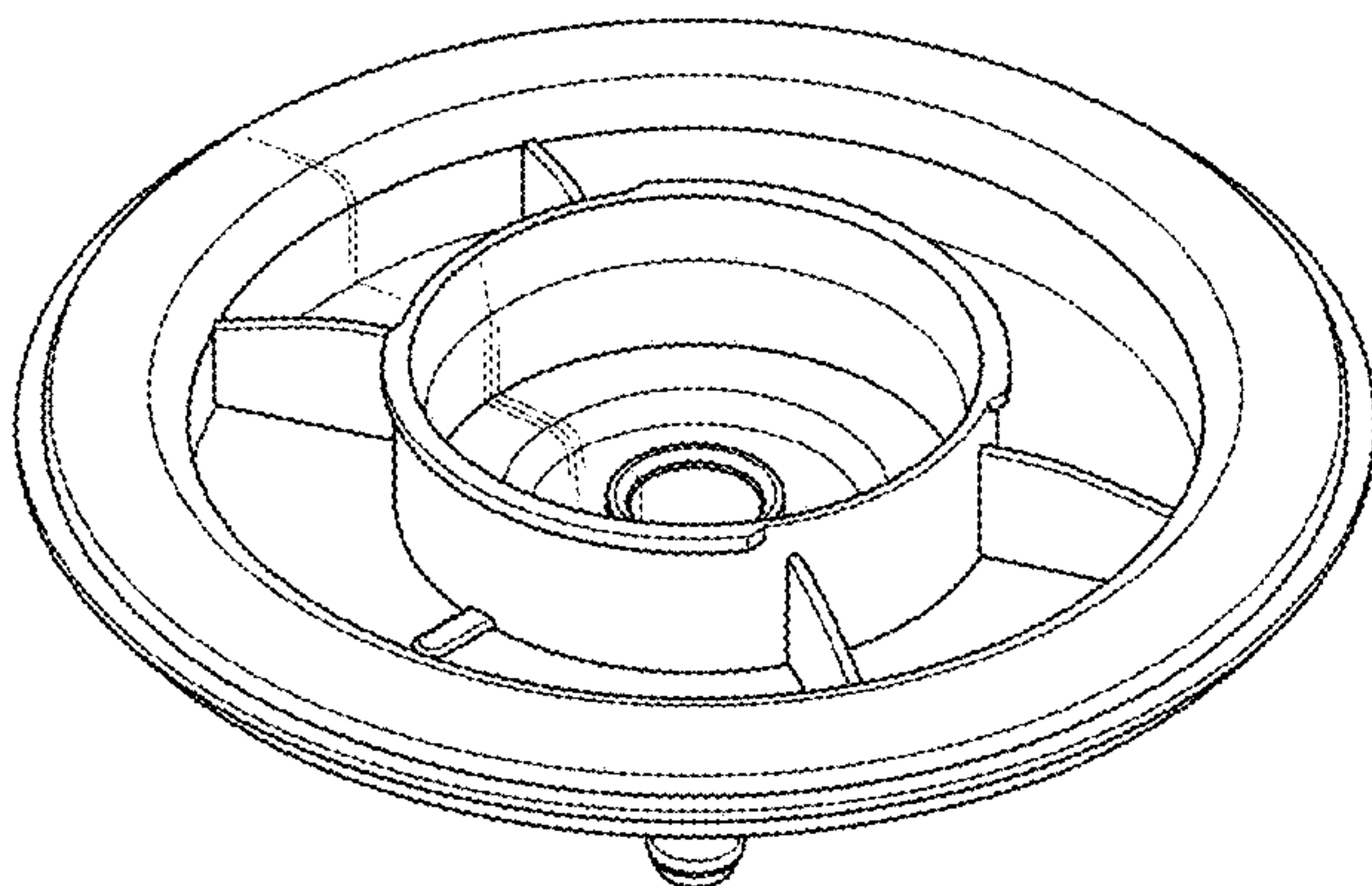
(57) **CLAIM**

The ornamental design for a pour spout for beer brewing
container, as shown and described.

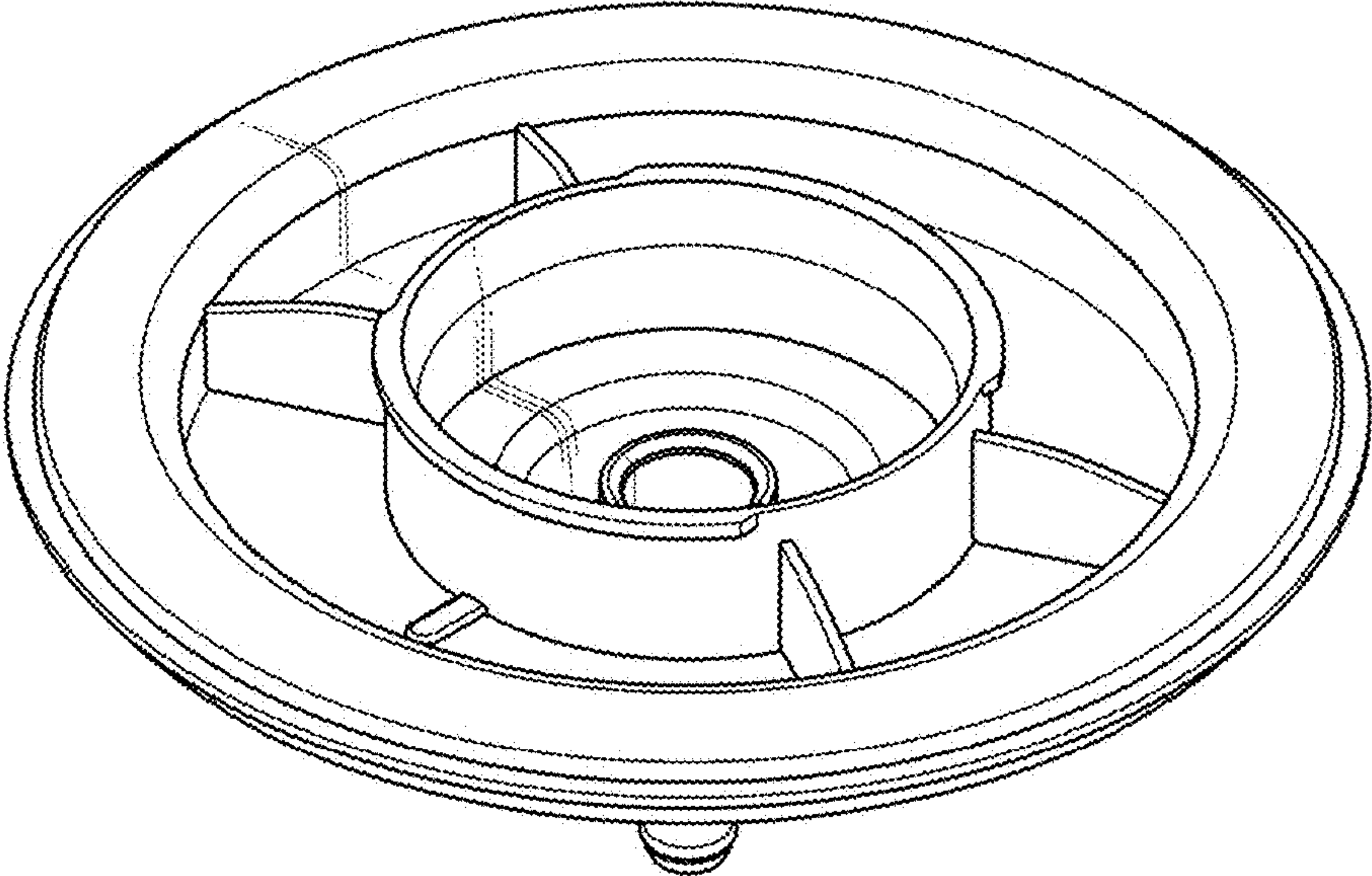
DESCRIPTION

1. Pour spout for beer brewing container
1.1 : Perspective
1.2 : Front
1.3 : Back
1.4 : Left
1.5 : Right
1.6 : Top
1.7 : Bottom
1.8 : Cross sectional
1.9 : Reference view in a use condition
Broken lines depicted in reproduction 1.9 form no part of the
claimed design.

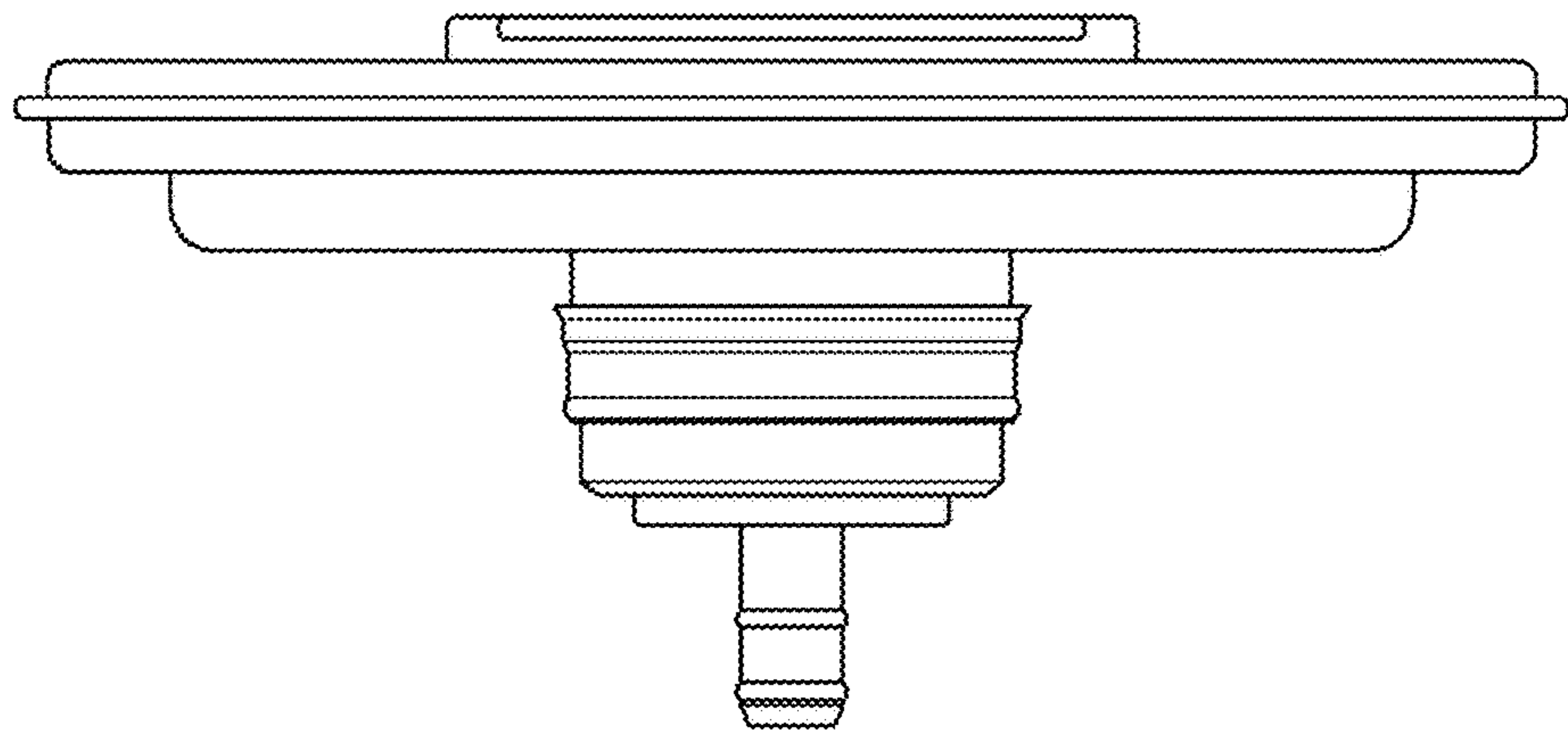
1 Claim, 9 Drawing Sheets



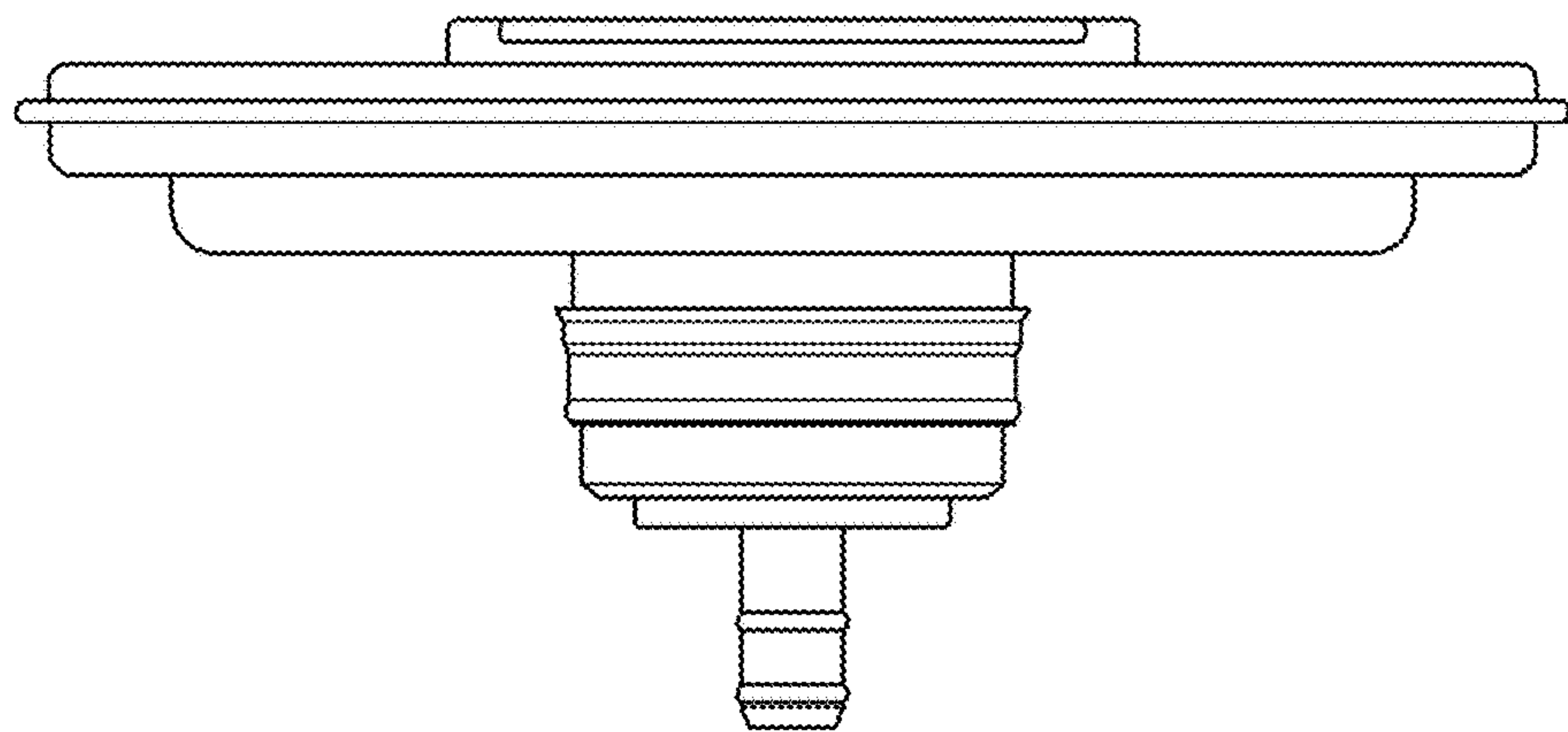
1.1



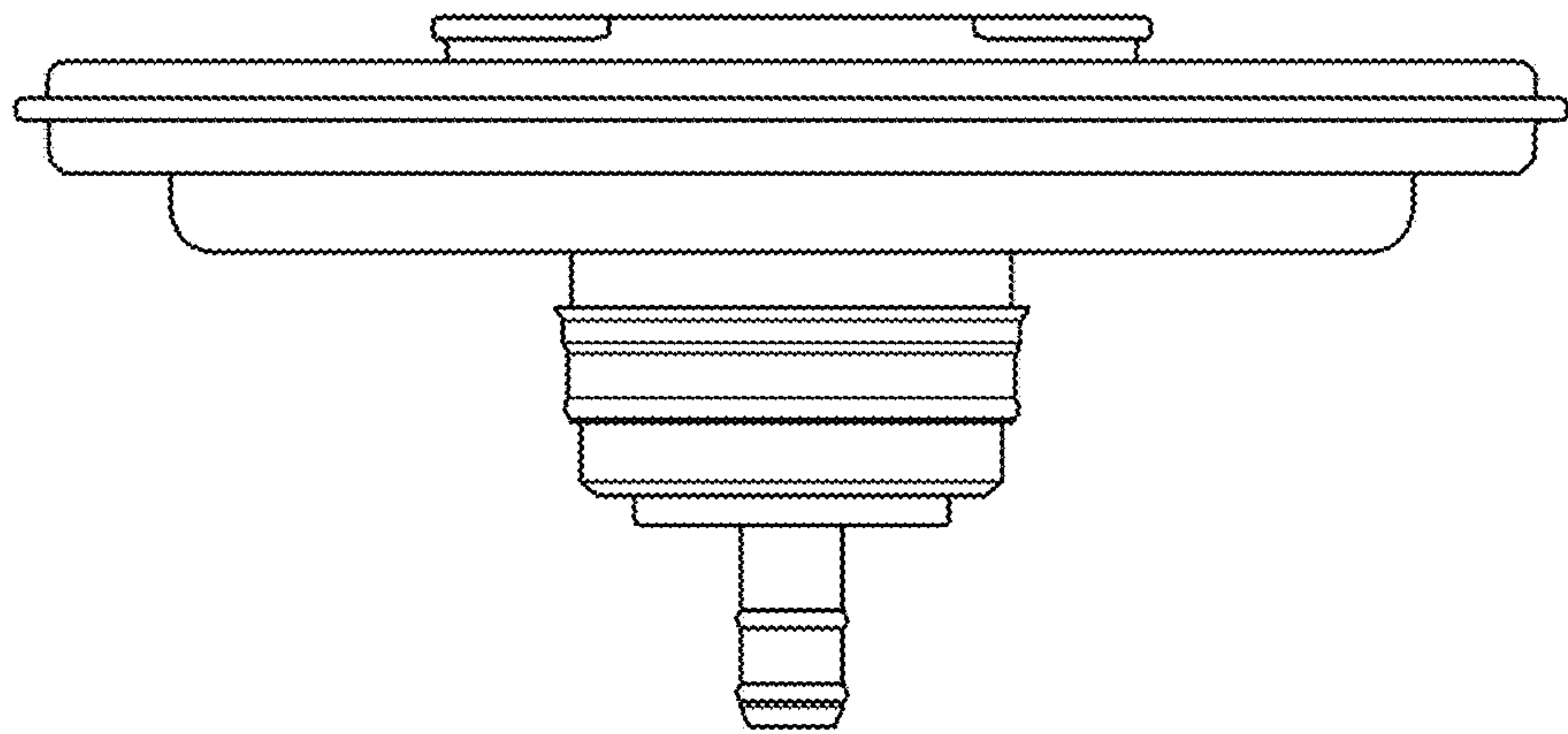
1.2



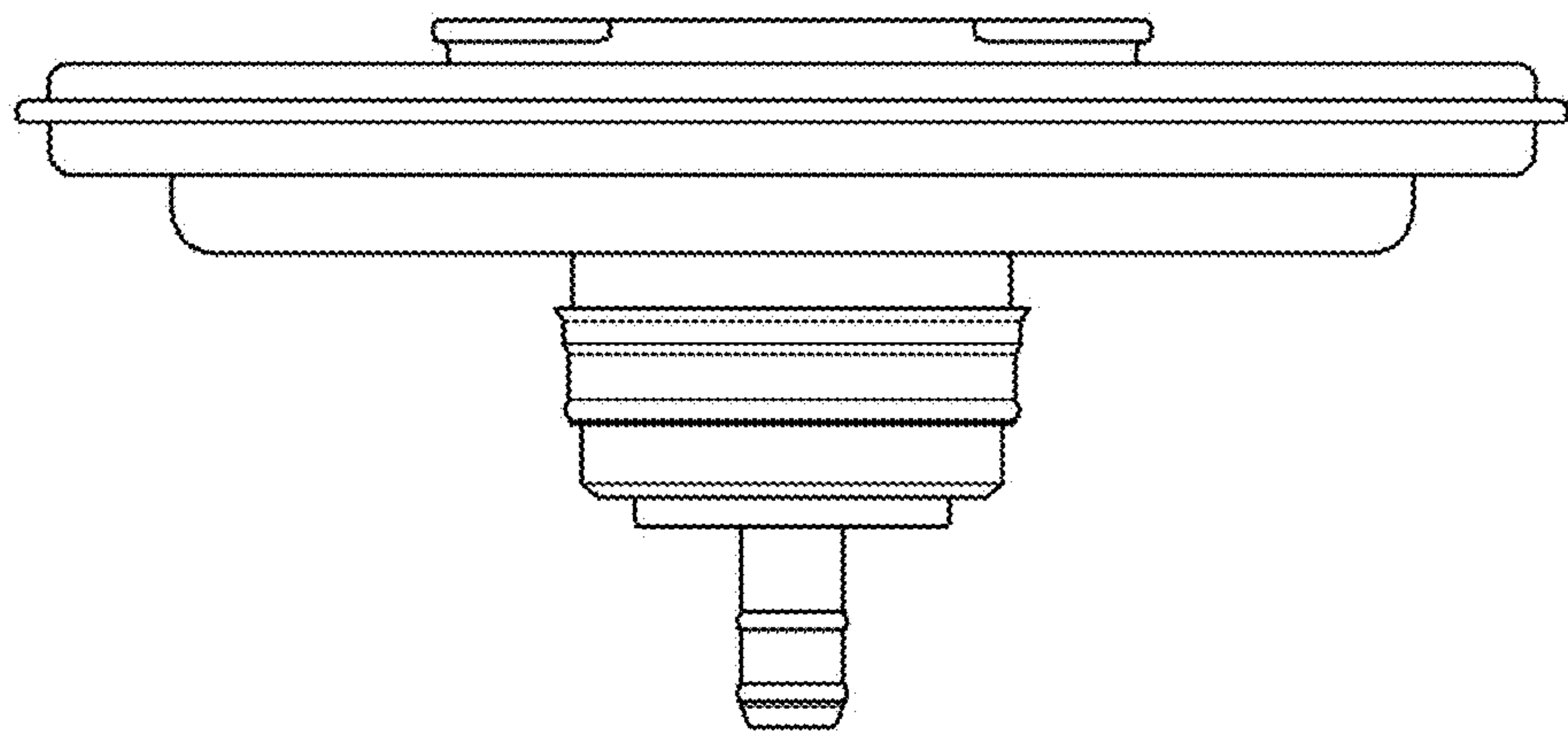
1.3



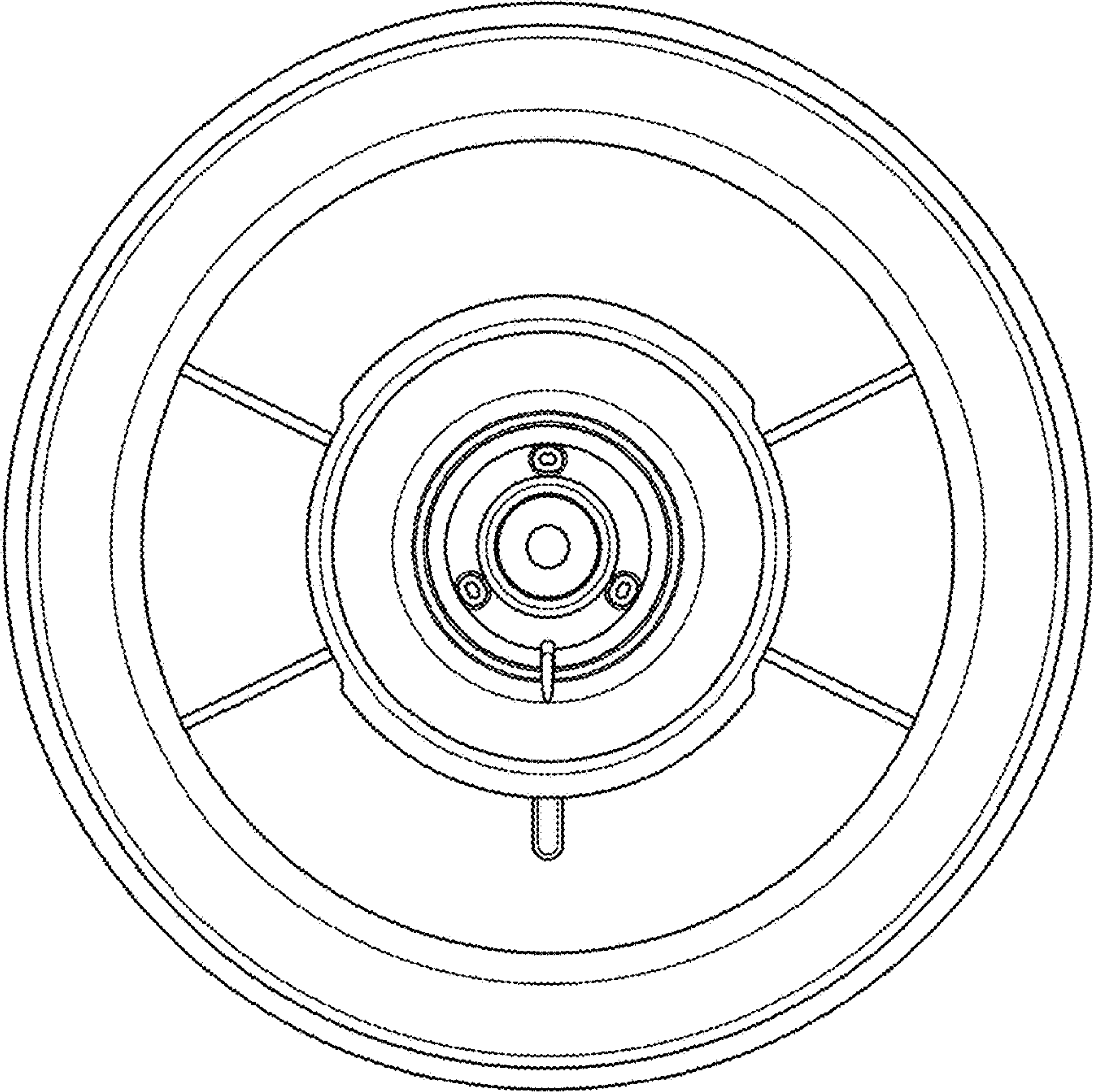
1.4



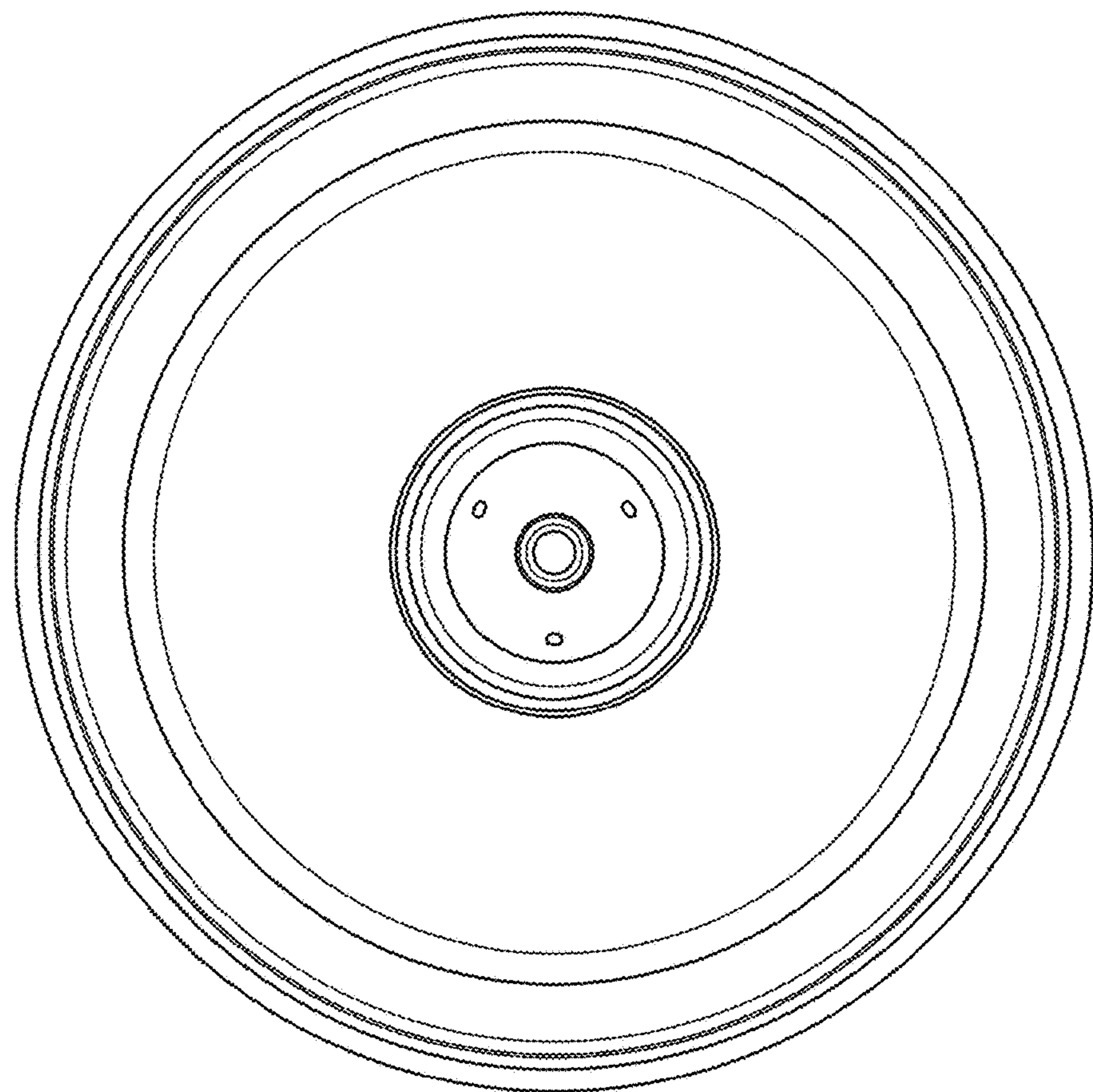
1.5



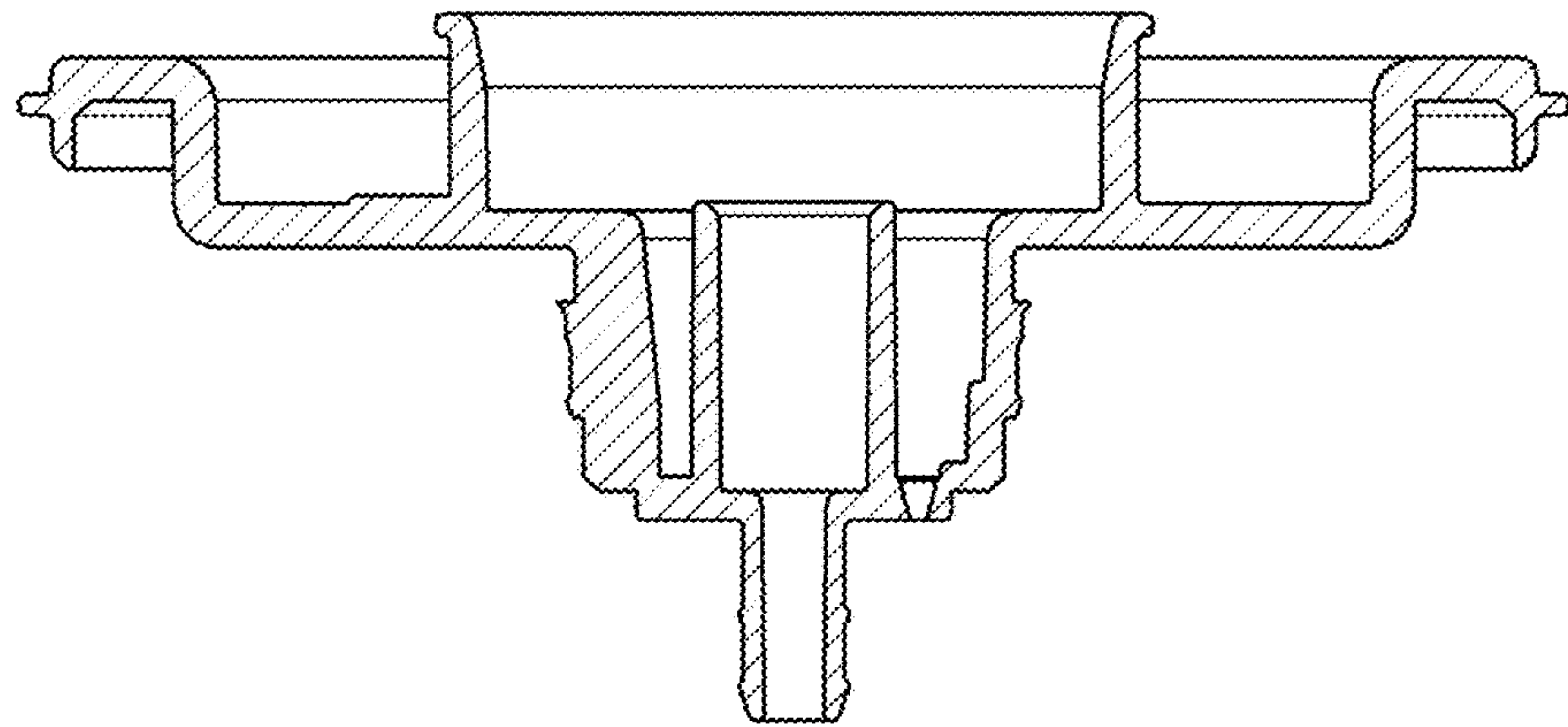
1.6



1.7



1.8



1.9

