

US00D899925S

(12) **United States Design Patent** (10) **Patent No.:** **US D899,925 S**
Laible (45) **Date of Patent:** **** Oct. 27, 2020**

(54) **DUAL DRAW CAP ADAPTER**
(71) Applicant: **Rodney Laible**, Omaha, NE (US)
(72) Inventor: **Rodney Laible**, Omaha, NE (US)
(**) Term: **15 Years**
(21) Appl. No.: **29/711,532**
(22) Filed: **Oct. 31, 2019**
(51) **LOC (12) Cl.** **09-07**
(52) **U.S. Cl.**
USPC **D9/436**
(58) **Field of Classification Search**
USPC D7/312, 313, 318, 387, 391, 392, 392.1,
D7/396.1, 396.2, 397, 398, 401.1, 900;
D9/434, 435, 436, 439, 440; D13/120,
D13/133, 134, 146, 151, 155, 156;
D23/206, 208, 209, 213, 249, 255, 259,
D23/260, 303, 386, 387; D24/100, 107,
D24/108, 111, 112, 127, 162, 216, 224,
D24/232
CPC B67D 3/00; B67D 7/02; B67D 7/0478;
B67D 7/0294; B65D 47/32; B65D
47/283; B65D 5/01; B65D 5/02
See application file for complete search history.

6,509,525 B2 * 1/2003 Honkomp H01B 17/303
174/152 GM
6,669,062 B1 * 12/2003 Laible B67D 7/0294
141/244
D537,414 S * 2/2007 Saito D13/146
D587,999 S * 3/2009 Schulthess D9/434
D591,152 S * 4/2009 Hatalla D9/447
(Continued)

OTHER PUBLICATIONS

Thermo Scientific Nalgene Ported Biotainer Bottle and Carboy Closure: Announced [Oct. 4, 2015, Online]. Site Visited [Feb. 28, 2020]. Available from Internet URL: <https://www.fishersci.com/shop/products/nalgene-ported-biotainer-bottle-carboy-closures/p-6120633>.*

(Continued)

Primary Examiner — Catherine S Posthauer
(74) *Attorney, Agent, or Firm* — Dennis L. Thomte;
Thomte Patent Law Office LLC

(57) **CLAIM**

The ornamental design for a dual draw cap adapter, as shown and described.

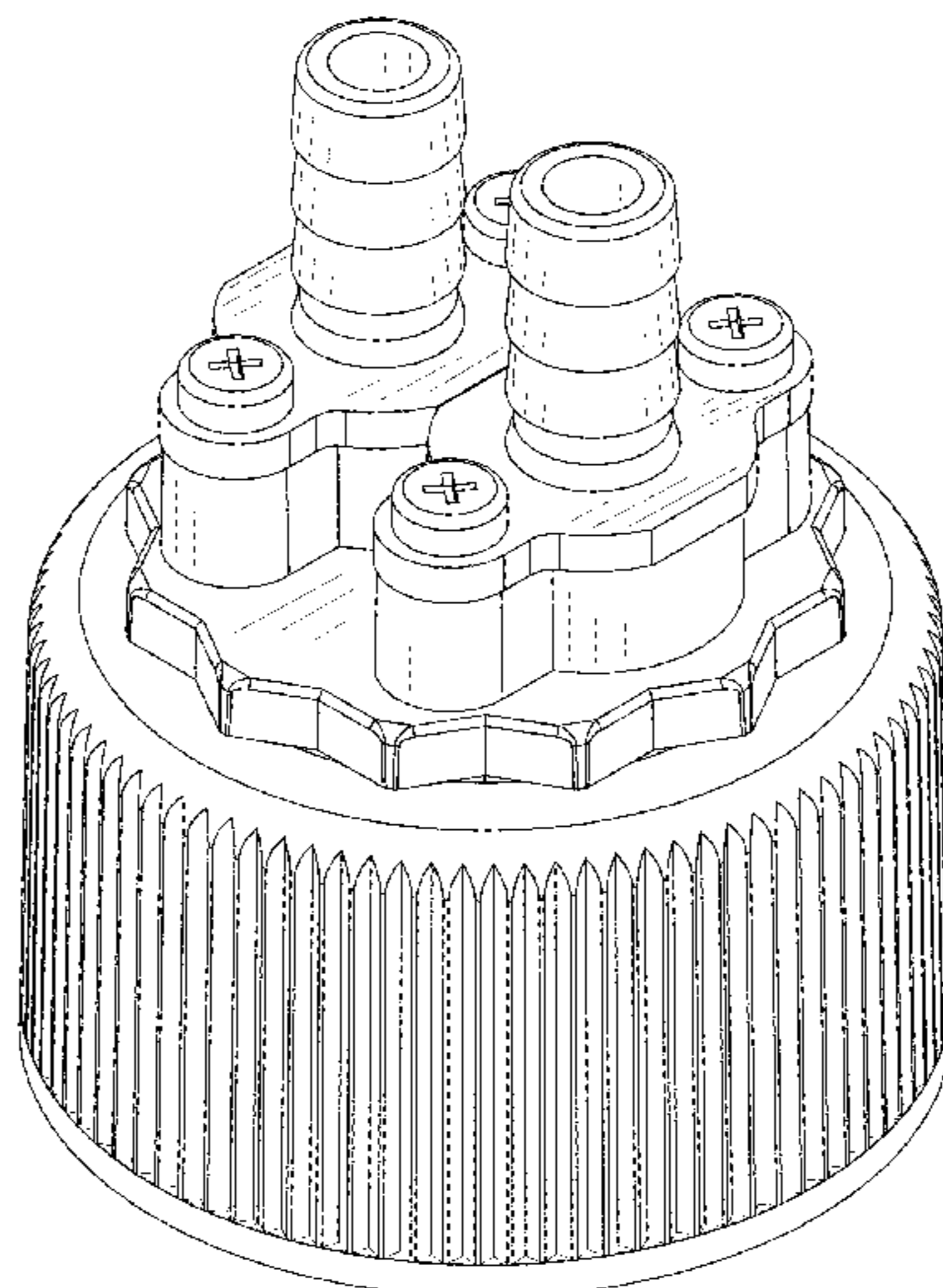
DESCRIPTION

FIG. 1 is a top perspective view of a dual draw cap adapter, showing my new design;
FIG. 2 is a top view thereof;
FIG. 3 is a first side view thereof;
FIG. 4 is a second side view thereof;
FIG. 5 is a third side view thereof;
FIG. 6 is a fourth side view thereof; and,
FIG. 7 is a bottom plan view thereof.
The evenly broken lines are shown for the purpose of illustrating parts of the article that form no part of the claim. The dot-dash lines represent the boundaries of the claim and form no part thereof.

1 Claim, 7 Drawing Sheets

(56) **References Cited**
U.S. PATENT DOCUMENTS

D352,770 S * 11/1994 Lopez D23/259
D353,443 S * 12/1994 Lopez D23/259
5,493,073 A * 2/1996 Honkomp H01B 17/305
174/152 GM
D373,928 S * 9/1996 Green D7/392.1
D429,948 S * 8/2000 Tate D7/392.1
6,107,566 A * 8/2000 Quadir H01B 17/303
174/50.52
D433,275 S * 11/2000 Betras D7/392.1
6,142,345 A * 11/2000 Laible B67D 7/0277
222/189.1
6,273,754 B1 * 8/2001 Bunch H01R 13/405
439/587
D448,974 S * 10/2001 Hydak D7/387



(56)

References Cited

U.S. PATENT DOCUMENTS

D616,822 S * 6/2010 Zayas D13/134
 D625,952 S * 10/2010 Nevarez D7/397
 D627,056 S * 11/2010 Quensel D13/146
 D683,044 S * 5/2013 Klein D24/224
 D706,135 S * 6/2014 Hutchison D9/447
 D759,789 S * 6/2016 Baird D23/209
 D762,813 S * 8/2016 Lu D23/209
 D772,713 S * 11/2016 Chapman D9/434
 D802,714 S * 11/2017 Williamson D23/213
 D818,083 S * 5/2018 Dishman D23/209
 D818,766 S * 5/2018 Xie D7/391
 9,963,279 B2 * 5/2018 Huber B67D 3/0032
 D820,387 S * 6/2018 Campbell D23/209
 D820,996 S * 6/2018 Knaus C12M 23/08
 D831,155 S * 10/2018 Campbell D23/209
 D832,794 S * 11/2018 Maegawa D13/156
 D832,795 S * 11/2018 Maegawa D13/156

D839,421 S * 1/2019 Baldauf D24/127
 D842,105 S * 3/2019 Willemstyn D9/436
 D849,693 S * 5/2019 Maegawa D13/156
 10,414,644 B1 * 9/2019 Laible B67D 7/0478
 D867,058 S * 11/2019 Spivey D7/392.1
 D867,880 S * 11/2019 Sacchetti D9/440
 2010/0258593 A1 * 10/2010 Laible B65D 47/283
 2014/0202944 A1 * 7/2014 Wes C02F 1/001
 2014/0217003 A1 * 8/2014 Huda B01D 35/306

OTHER PUBLICATIONS

SaFTFlo Dual Port Cap Adapter: Site Visited [Feb. 28, 2020].
 Available from Internet URL: <https://www.rdindustries.com/dual-port-adapter/>.*

* cited by examiner

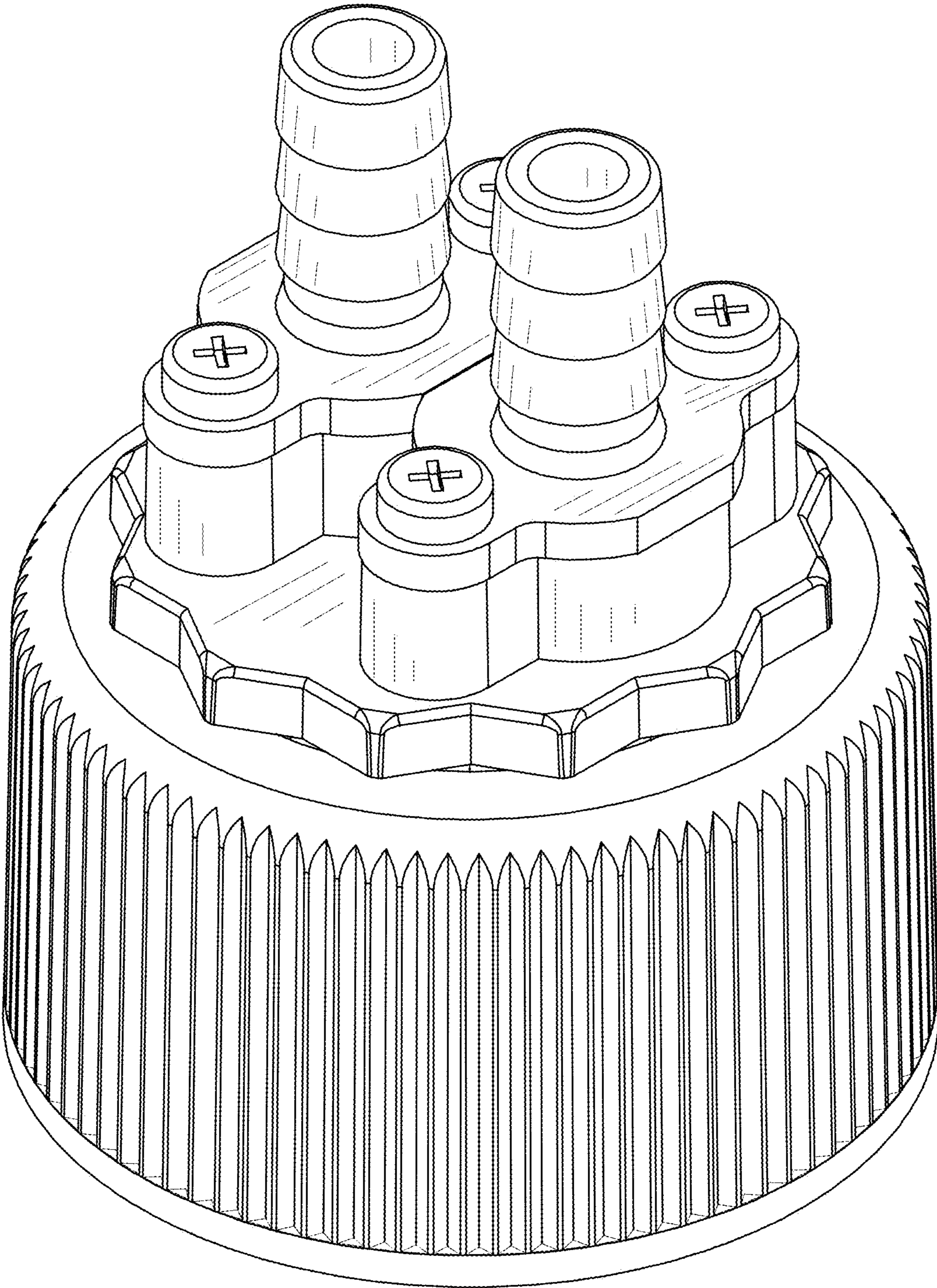


FIG. 1

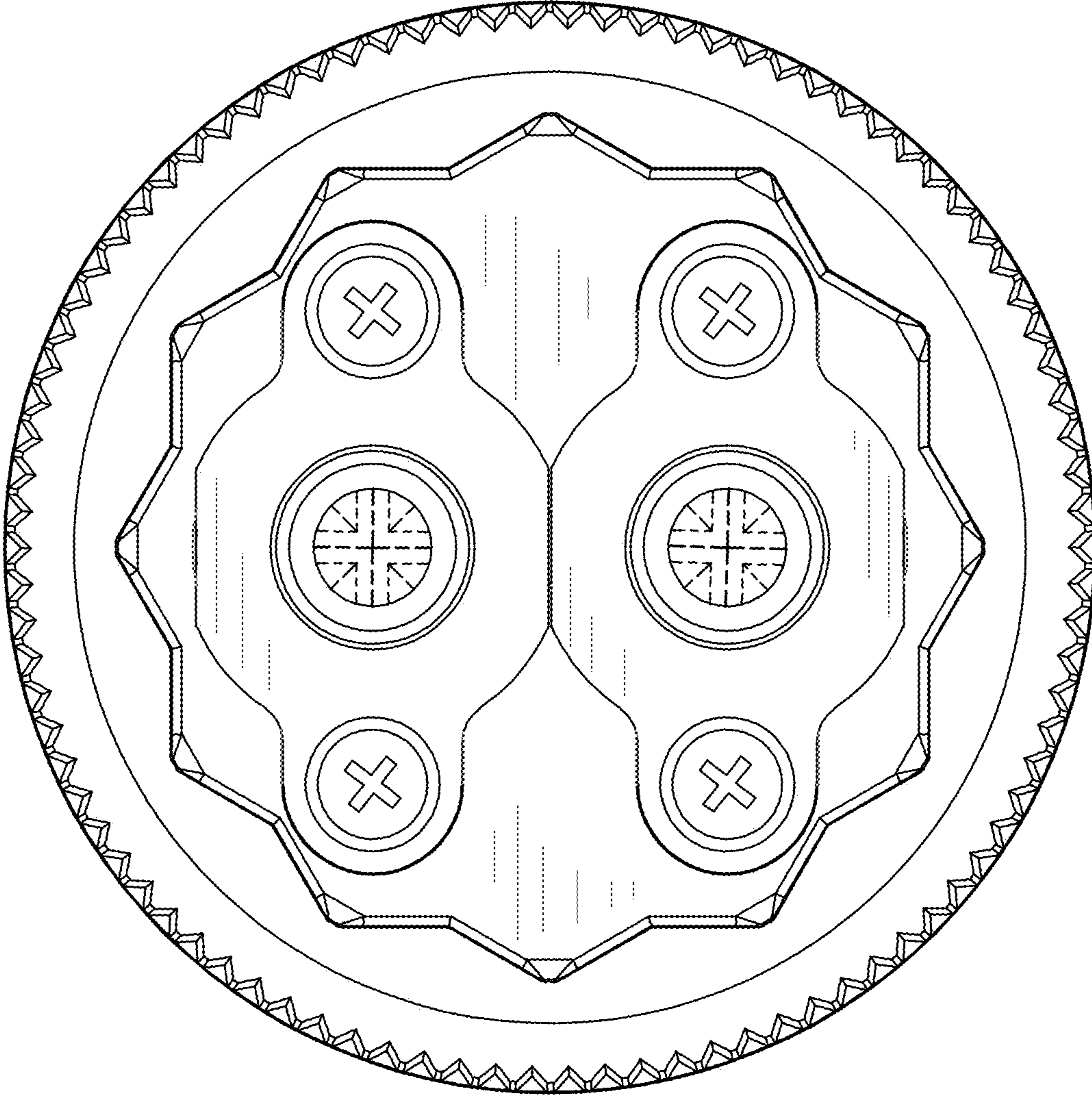


FIG. 2

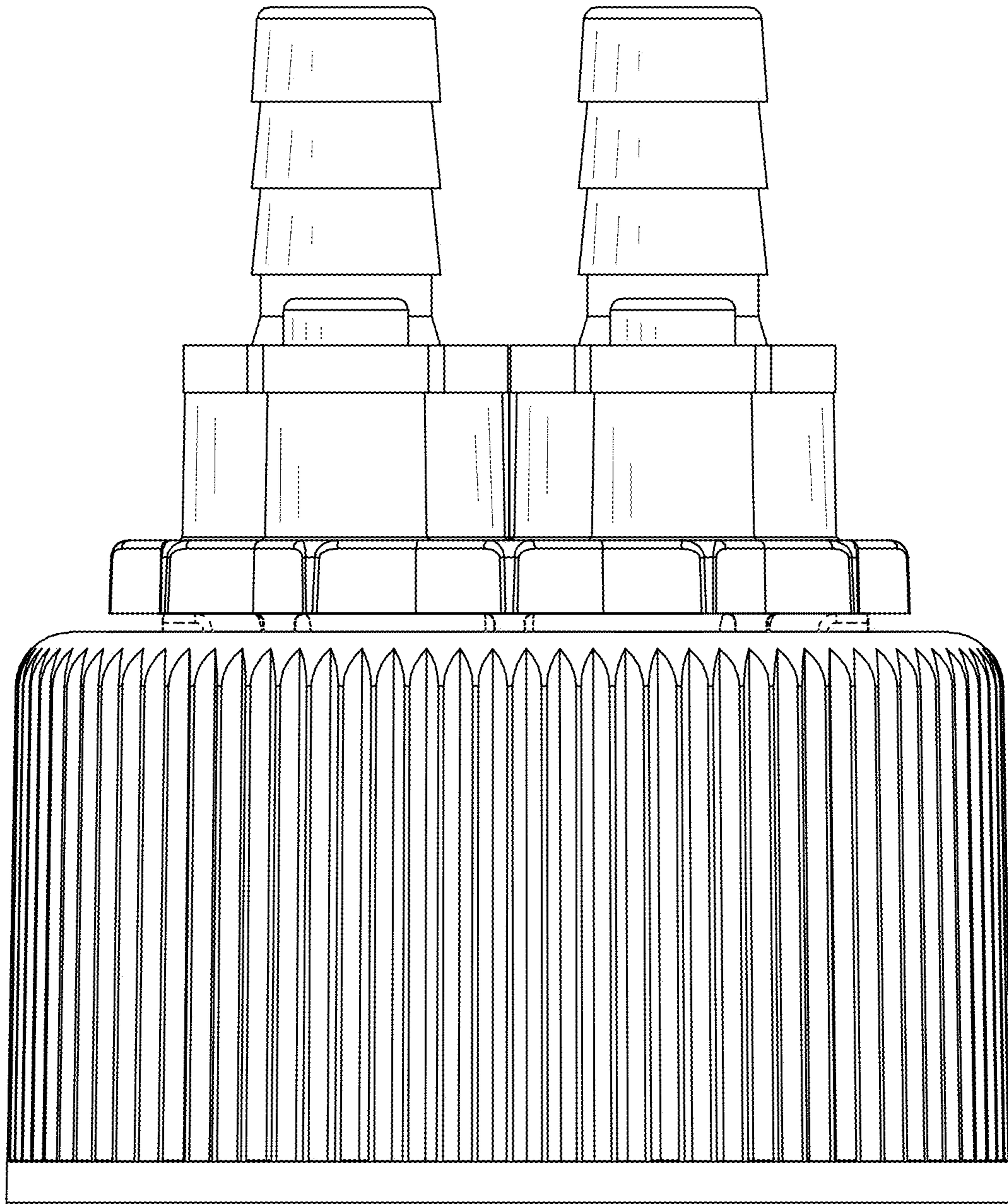


FIG. 3

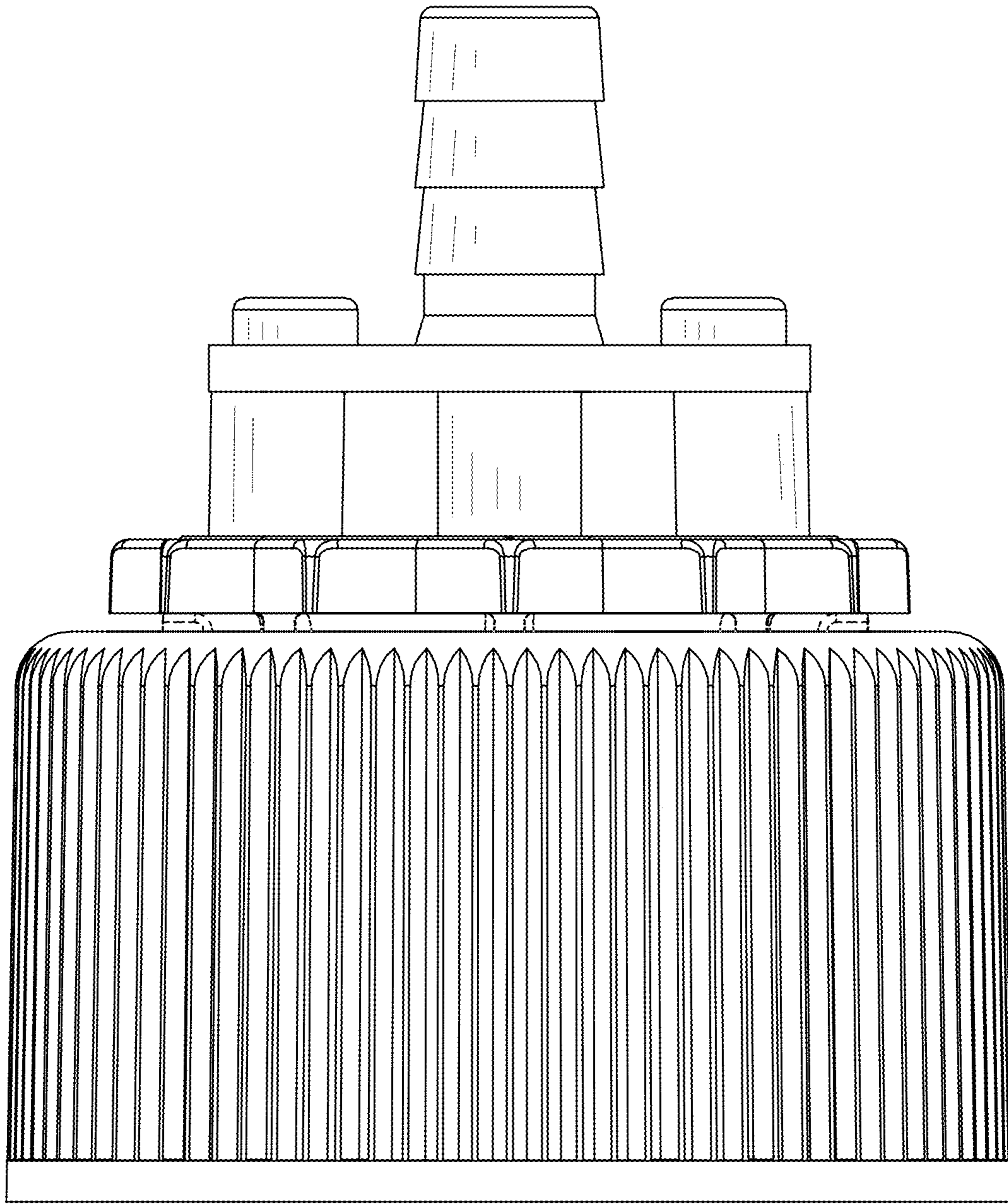


FIG. 4

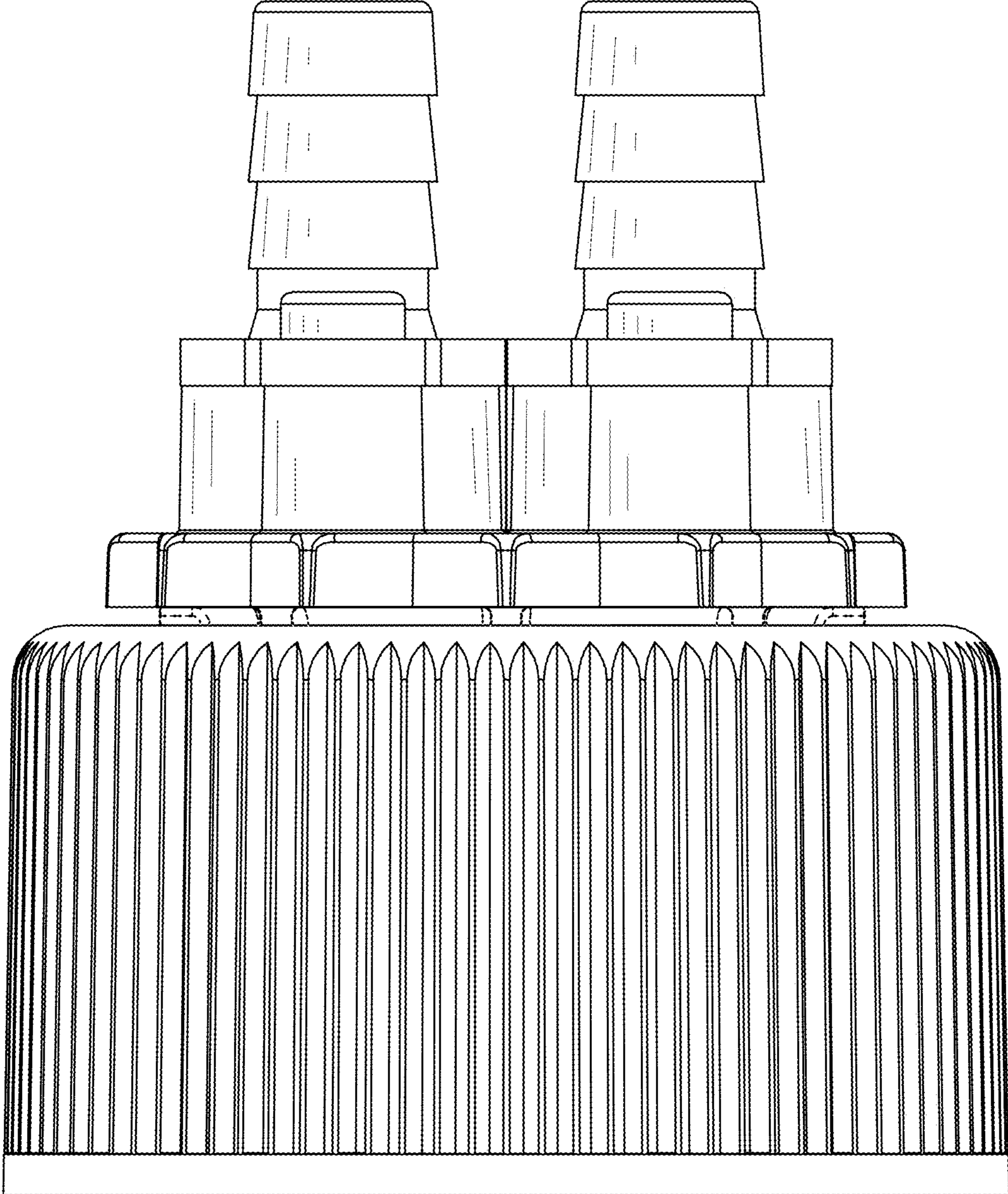


FIG. 5

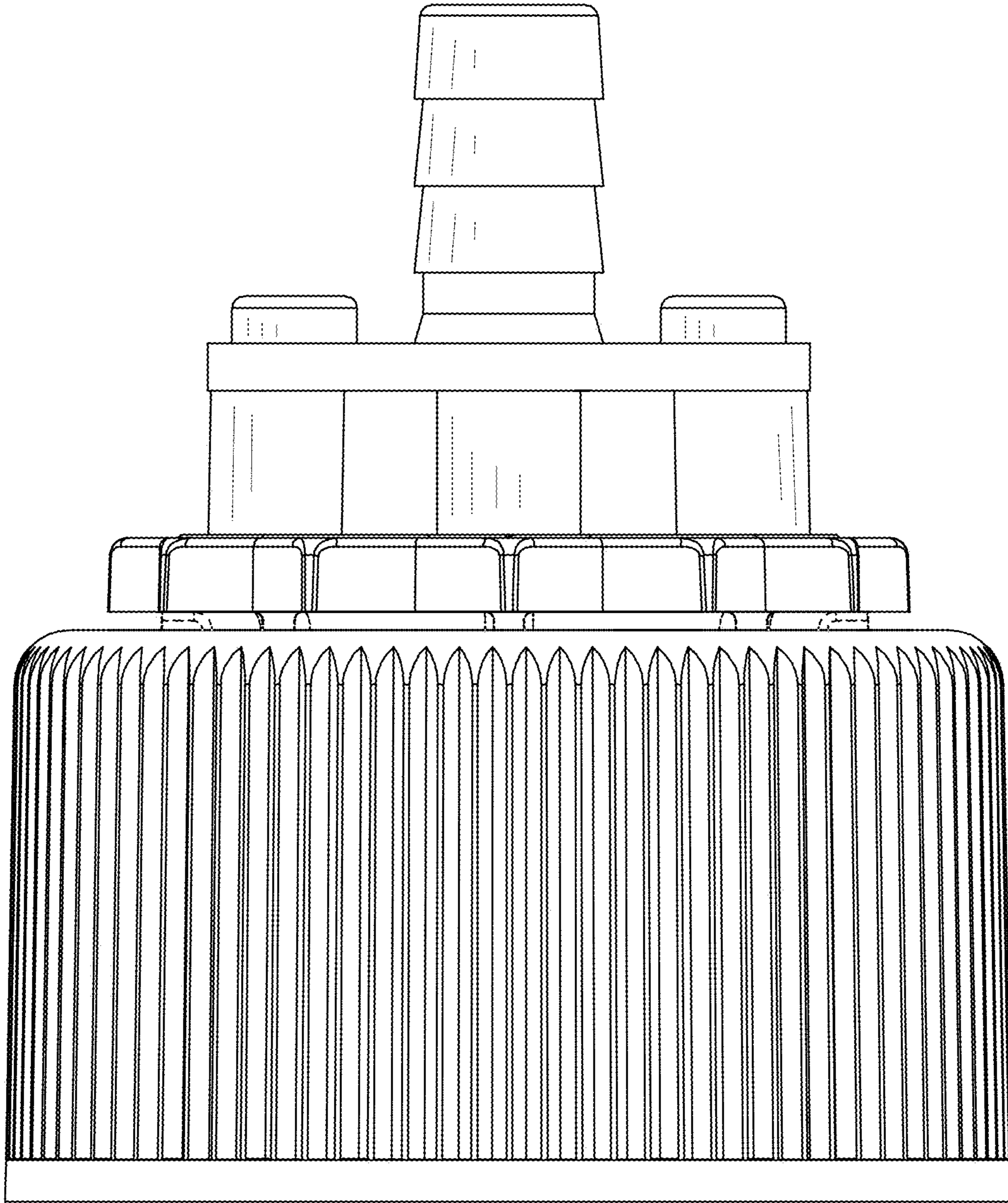


FIG. 6

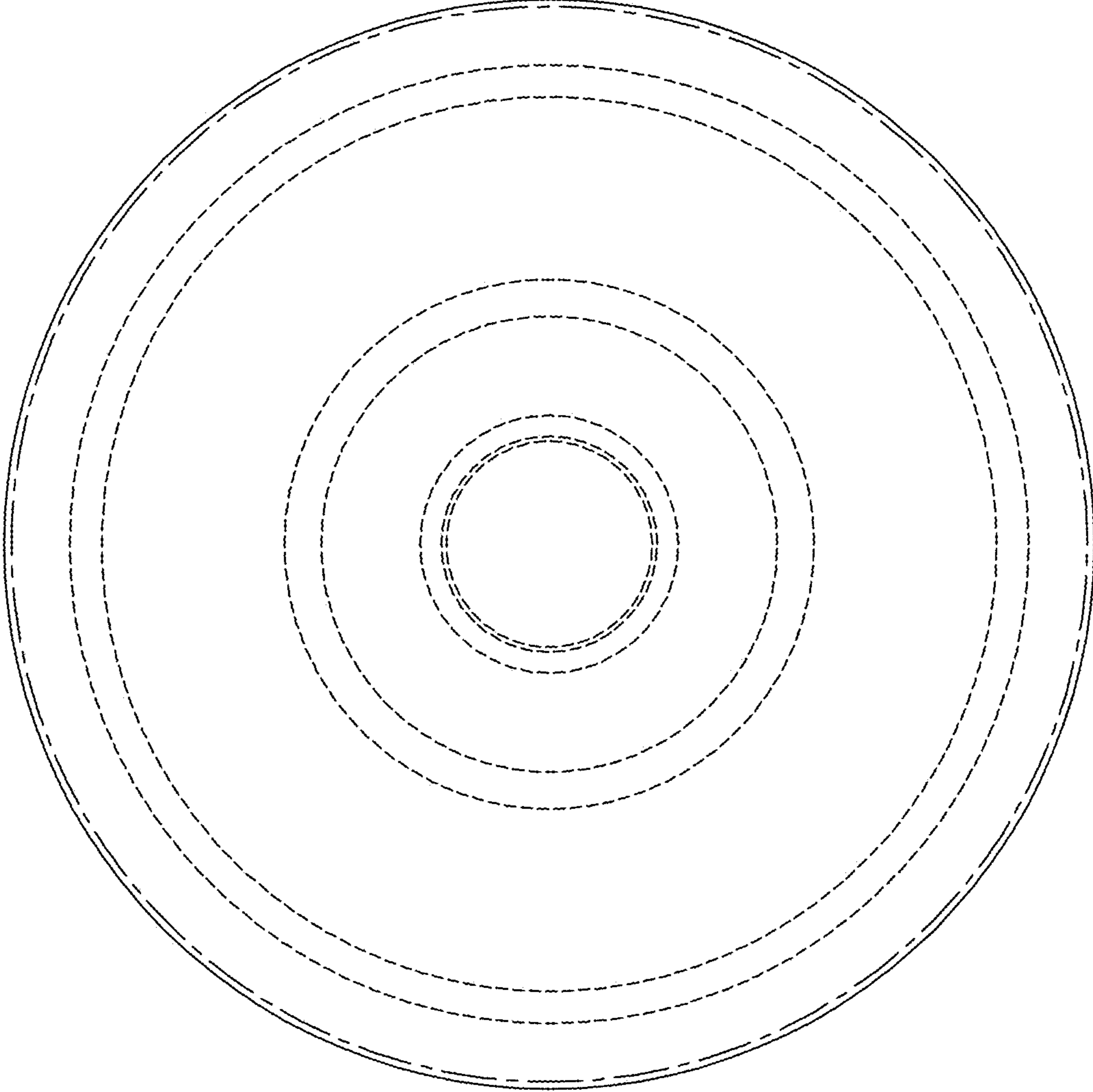


FIG. 7