



US00D899922S

(12) **United States Design Patent**
Sanfilippo et al.

(10) **Patent No.:** **US D899,922 S**

(45) **Date of Patent:** **** Oct. 27, 2020**

(54) **PACKAGE**

(71) Applicant: **PRIMAPAK, LLC**, Elgin, IL (US)

(72) Inventors: **James J. Sanfilippo**, Barrington Hills, IL (US); **Milorad Radenovic**, Chicago, IL (US)

(73) Assignee: **PRIMAPAK, LLC**, Elgin, IL (US)

(**) Term: **15 Years**

(21) Appl. No.: **29/661,738**

(22) Filed: **Aug. 30, 2018**

Related U.S. Application Data

(62) Division of application No. 29/522,244, filed on Mar. 27, 2015, now Pat. No. Des. 834,936.

(51) **LOC (12) Cl.** **09-03**

(52) **U.S. Cl.**
USPC **D9/432**

(58) **Field of Classification Search**
USPC D9/414-435, 737, 782
CPC B65D 75/5838; B65D 2101/0015; B65D 2577/2033; B65D 2577/205; B65D 2577/2091

See application file for complete search history.

(56) **References Cited**

U.S. PATENT DOCUMENTS

1,497,704 A *	6/1924	Walter	B65D 5/323
				229/122.26
D135,294 S	3/1943	Ost		
2,339,156 A	1/1944	Duane		
2,819,831 A	1/1958	Polarek et al.		
3,227,356 A *	1/1966	Elfrid	B65D 5/0245
				206/424
3,325,077 A *	6/1967	Becker	B65D 33/02
				383/119

3,357,631 A	12/1967	Aid	
3,785,254 A	1/1974	Mann	
3,917,158 A	11/1975	Dorofachuk et al.	
4,512,476 A	4/1985	Herrington, Jr.	
D285,777 S *	9/1986	Forbes, Jr. D9/416
4,687,104 A	8/1987	Ielmini	

(Continued)

OTHER PUBLICATIONS

“The Packaging Paradigm.” Found online Apr. 22, 2020 at www.winsightgrocerybusiness.com. Page dated Feb. 25, 2016. Retrieved from URL: <https://www.winsightgrocerybusiness.com/packaging-paradigm> (Year: 2016).*

(Continued)

Primary Examiner — Mary Ann Calabrese

Assistant Examiner — Katelin G Kloberg

(74) *Attorney, Agent, or Firm* — Marshall, Gerstein & Borun LLP

(57) **CLAIM**

The ornamental design for a package, as shown and described.

DESCRIPTION

FIG. 1 is a front, right-side, and top view of a package showing the new design.

FIG. 2 is a front elevation view of the package.

FIG. 3 is a right-side elevation view of the package.

FIG. 4 is a left-side elevation view of the package.

FIG. 5 is a top plan view of the package.

FIG. 6 is a back elevation view of the package.

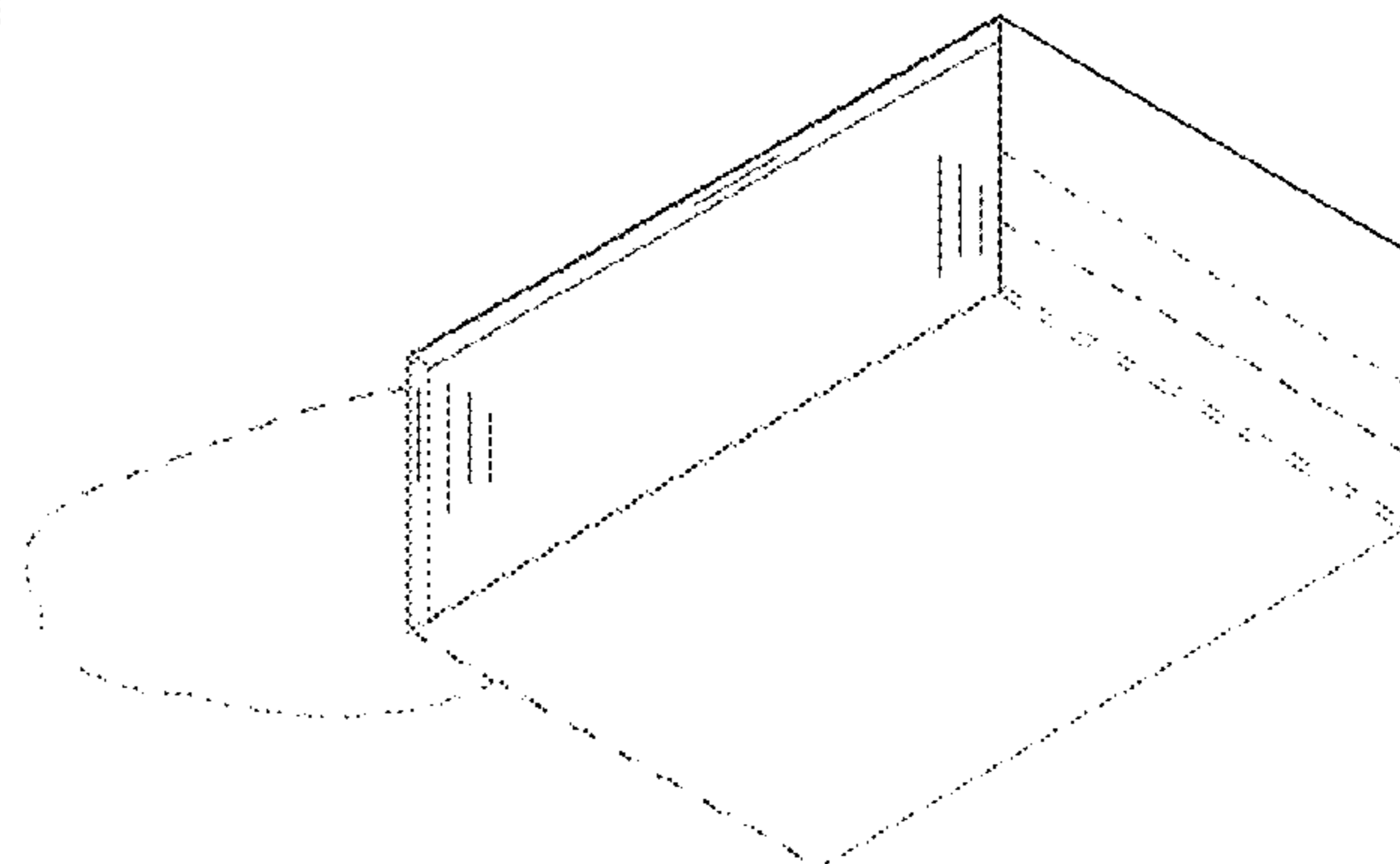
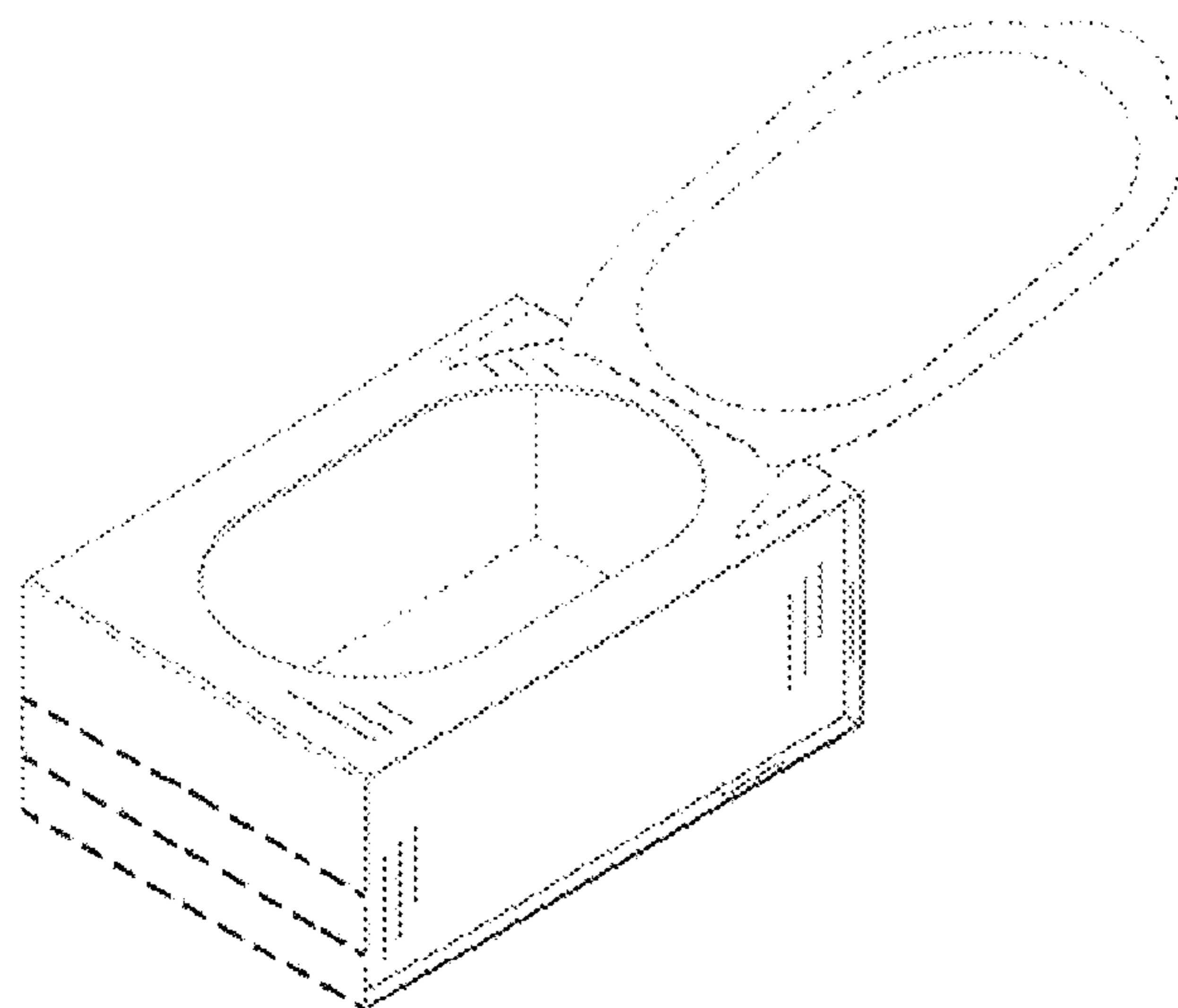
FIG. 7 is a bottom plan view.

FIG. 8 is a front, left-side, and bottom view of the package; and,

FIG. 9 is a front, right-side, and bottom view of the package.

The broken lines represent elements of the package that form no part of the claimed design.

1 Claim, 6 Drawing Sheets



(56)

References Cited

U.S. PATENT DOCUMENTS

4,738,365 A 4/1988 Prater
 4,746,019 A 5/1988 Prater
 D297,214 S 8/1988 Forbes, Jr.
 D319,785 S 9/1991 Kilmartin, III
 D336,708 S 6/1993 Boughey
 5,280,908 A 1/1994 Lu
 5,556,026 A 9/1996 Blankitny
 5,577,612 A 11/1996 Chesson et al.
 D394,904 S 6/1998 Hayashi
 D395,235 S 6/1998 Andersson
 D419,443 S 1/2000 Yonehara et al.
 6,082,614 A 7/2000 Schmidt
 D464,884 S * 10/2002 Sumpmann D9/432
 D487,870 S * 3/2004 Stewart D9/432
 D545,186 S 6/2007 Liebe et al.
 D563,219 S * 3/2008 Okin D9/423
 D569,719 S 5/2008 Ross
 D588,396 S 3/2009 Millsap et al.
 D610,904 S 3/2010 Russell et al.
 D617,637 S 6/2010 Anderson et al.
 D626,831 S 11/2010 Nicholas
 D629,296 S 12/2010 De Muynck
 D636,665 S 4/2011 Mittelstaedt
 D656,014 S * 3/2012 Norman D9/434
 D658,056 S * 4/2012 Hughes D9/434
 D684,467 S 6/2013 Macaulay et al.
 D696,107 S 12/2013 Kimple et al.
 D715,643 S 10/2014 Sanfilippo et al.
 D718,124 S 11/2014 Thompson et al.
 D725,467 S 3/2015 Sanfilippo et al.
 D726,535 S 4/2015 Sanfilippo et al.
 D730,725 S * 6/2015 Sanfilippo D9/416
 D738,202 S * 9/2015 Stone D9/418
 D747,189 S * 1/2016 Sanfilippo D9/432
 D750,477 S 3/2016 Sanfilippo et al.
 D753,996 S 4/2016 Sanfilippo et al.
 D764,271 S 8/2016 Sanfilippo et al.
 D764,903 S 8/2016 Sanfilippo et al.
 D764,914 S * 8/2016 Sanfilippo D9/435
 D766,082 S * 9/2016 Sanfilippo D9/434
 D768,479 S * 10/2016 Sanfilippo D9/434
 D778,719 S 2/2017 Sanfilippo et al.
 D778,721 S 2/2017 Sanfilippo et al.
 D787,319 S * 5/2017 Sanfilippo D9/423
 D813,663 S * 3/2018 Sanfilippo D9/423
 D815,523 S * 4/2018 Sanfilippo D9/435
 D826,707 S * 8/2018 Sanfilippo D9/416

D842,689 S * 3/2019 Sanfilippo D9/416
 D849,552 S * 5/2019 Carr D9/635
 D855,477 S * 8/2019 Liu D9/737
 D876,215 S * 2/2020 Sanfilippo D9/416
 D876,220 S * 2/2020 Sanfilippo D9/432
 2001/0040107 A1 11/2001 Toure et al.
 2003/0230504 A1 12/2003 Hamming
 2004/0099570 A1 5/2004 Cargile
 2004/0163180 A1 8/2004 Bryant et al.
 2004/0232029 A1* 11/2004 Cotert B65D 75/5838
 206/494
 2005/0109827 A1 5/2005 Martin
 2005/0190490 A1 9/2005 Naruse et al.
 2006/0048773 A1 3/2006 Burfoot
 2009/0152290 A1 6/2009 Wang et al.
 2010/0018974 A1* 1/2010 Lyzenga B65D 43/0235
 220/214

OTHER PUBLICATIONS

“Corn Flakes Single Serve Cereal Commercial 720.” Found online Apr. 22, 2020 at www.youtube.com. Video published Mar. 21, 2017. Retrieved from URL: <https://www.youtube.com/watch?v=VvI8ymbFZVU> (Year: 2017).*

“Pack becomes a reclosable serving bowl.” Found online Apr. 22, 2020 at www.packworld.com. Page dated May 26, 2018. Retrieved from URL: <https://www.packworld.com/design/flexible-packaging/article/13374870/pack-becomes-a-reclosable-serving-bowl> (Year: 2018).*

“PrimaPak System.” Found online Apr. 22, 2020 at www.sonoco.com. Page archived Aug. 3, 2019. Retrieved from URL: <https://web.archive.org/web/20190803141950/https://www.sonoco.com/product/primapak-system> (Year: 2019).*

“ABS Recessed Ready to Tile Bathroom Plastic Shower Insert”, retrieved from the Internet at: <https://www.alibaba.com/product-detail/ABS-Recessed-Ready-to-tile-Bathroom-60145670607.html> (page dated Feb. 13, 2015).

“Flexible Package”, retrieved from the Internet at: <http://www.ptonline.com/articles/flexible-package-takes-aim-at-rigid-containers> (page dated Dec. 2012).

“PrimaPak”. Retrieved from the Internet at https://web.archive.org/web/20121208040309/http://www.greenerpackage.com/flexible_packaging/primapak_offers_lightweight_eight_stackable_replacement_rigid_packaging (page dated Dec. 4, 2012).

“Upcycled Shaker-Panel Cabinet Doors”, retrieved from the Internet at: <http://do-it-yourselfdesign.blogspot.com/2013/01/upcycled-shaker-panel-cabinet-doors.html> (page dated Jan. 8, 2013).

* cited by examiner

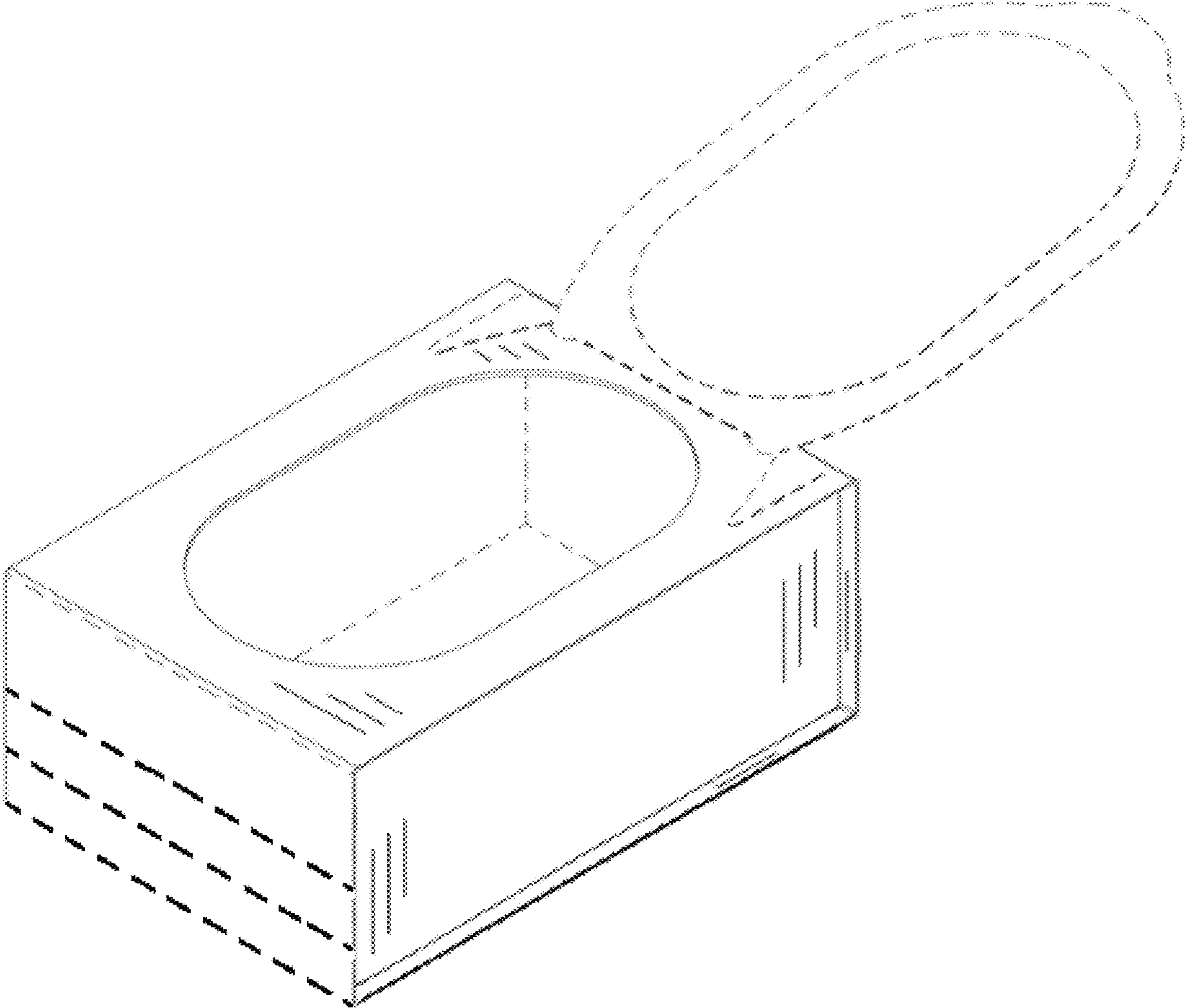


Fig. 1

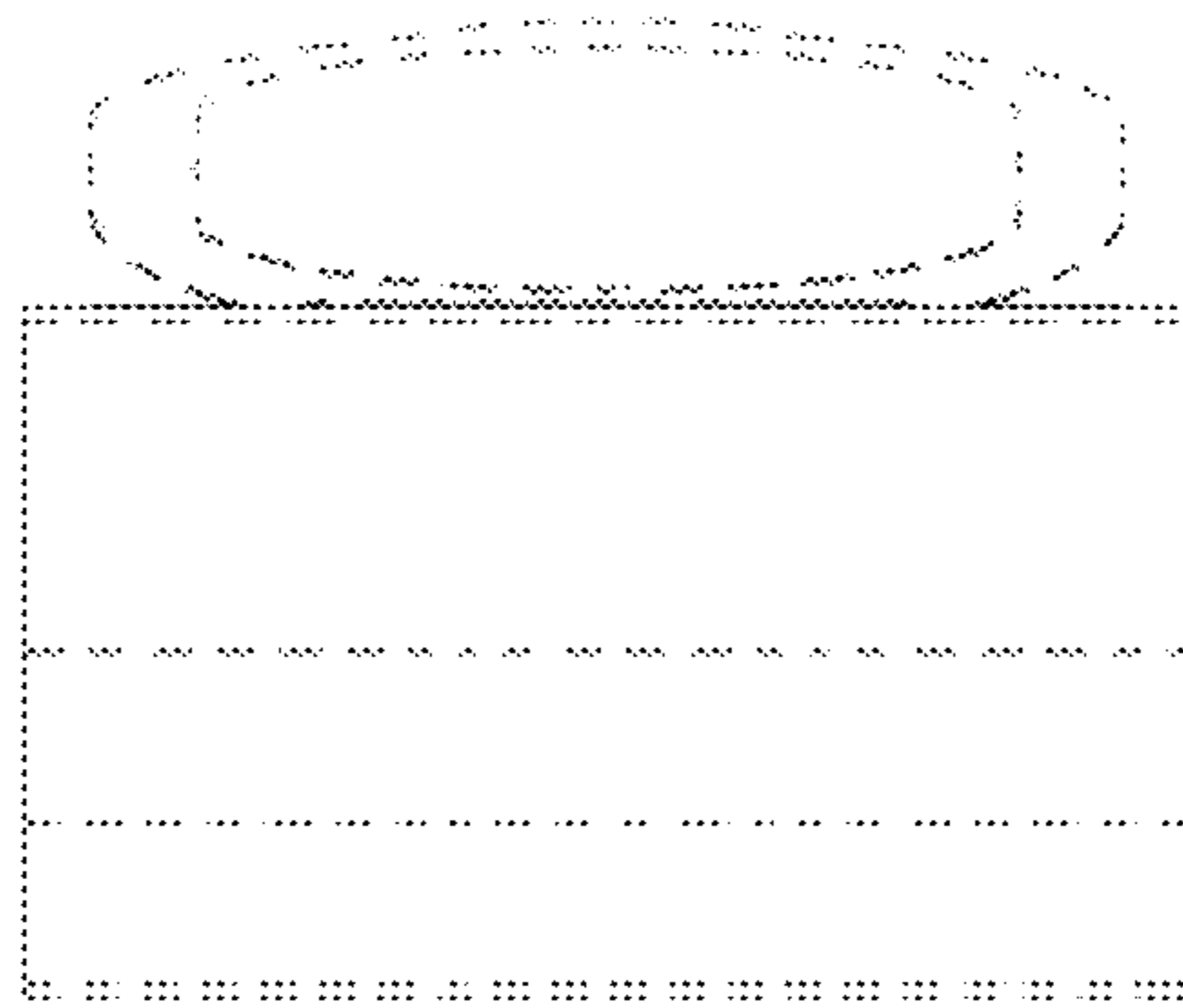


Fig. 2

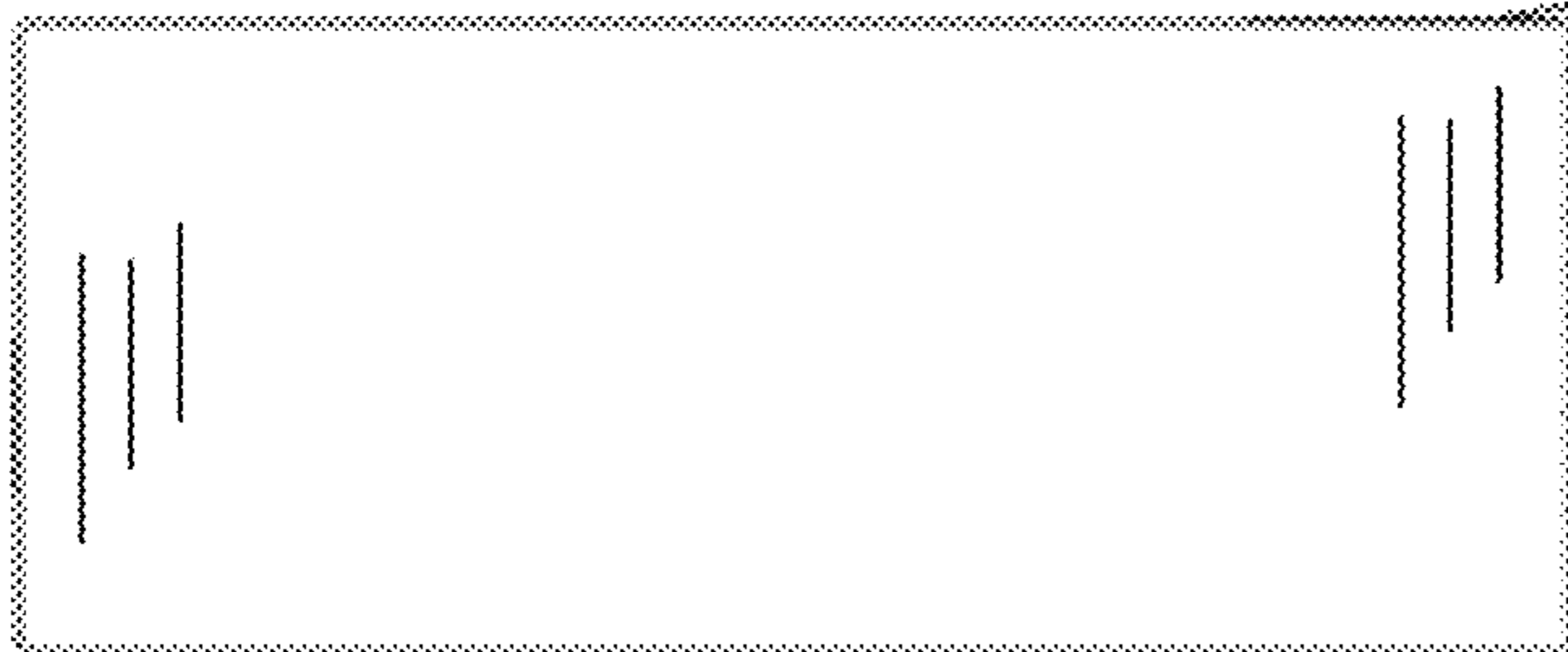


Fig. 3

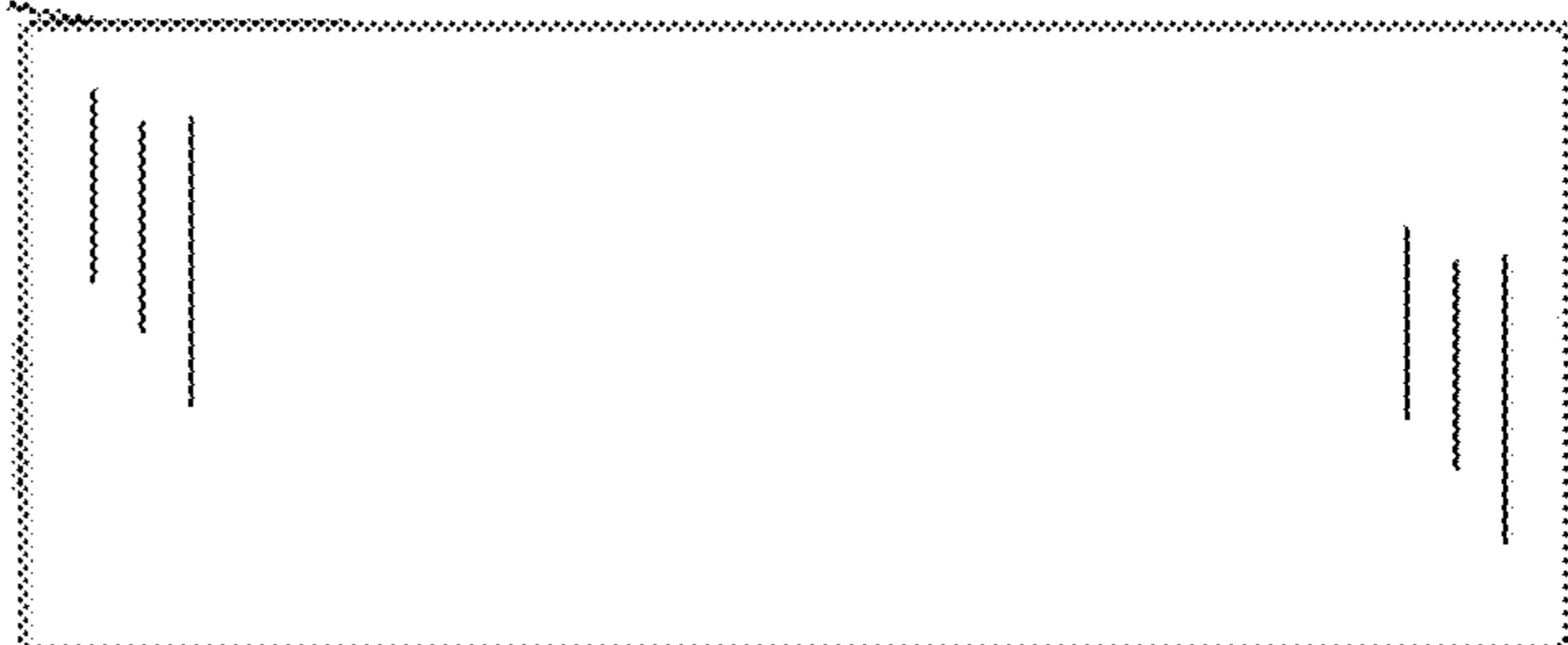


Fig. 4

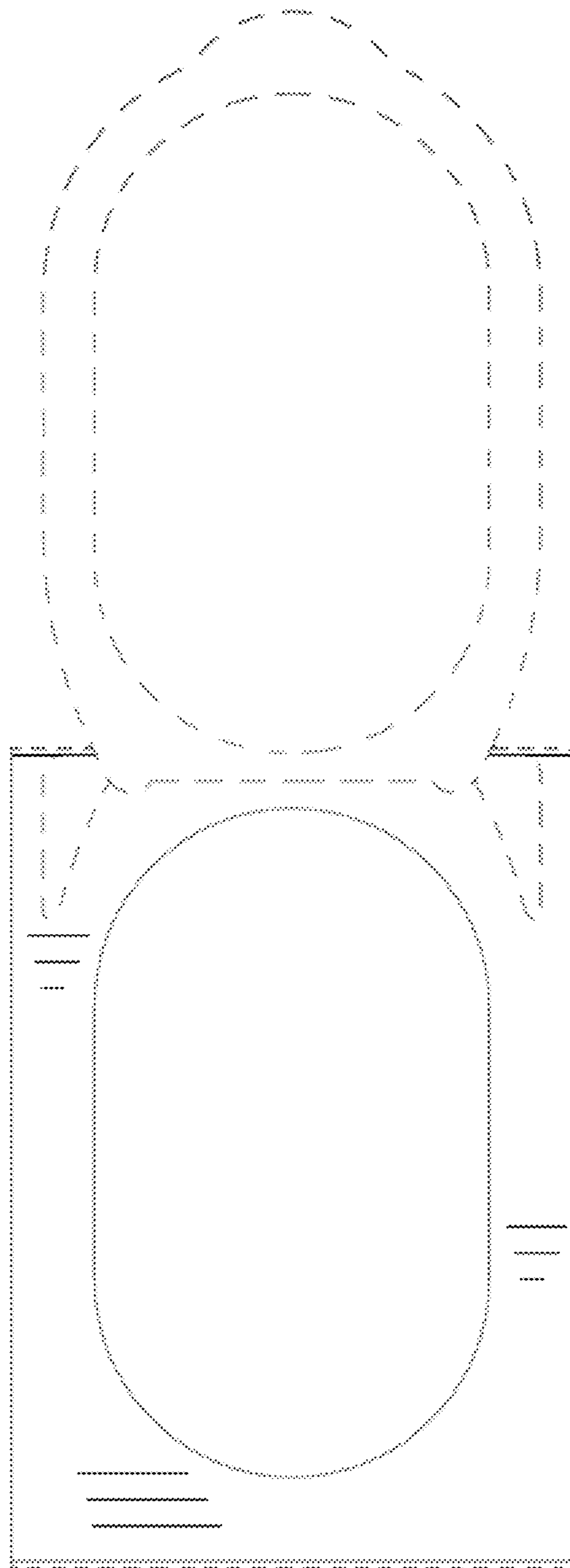


Fig. 5

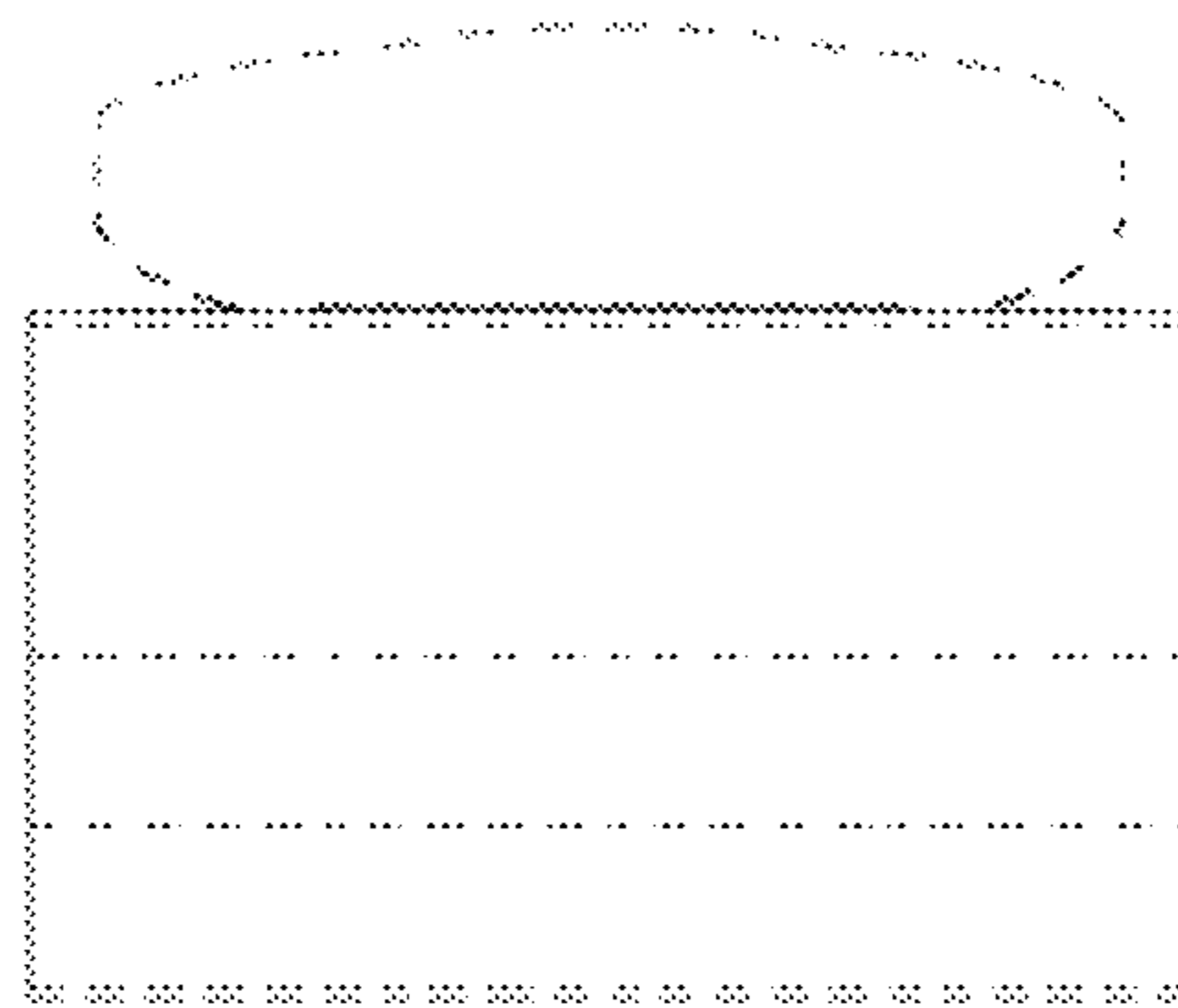


Fig. 6

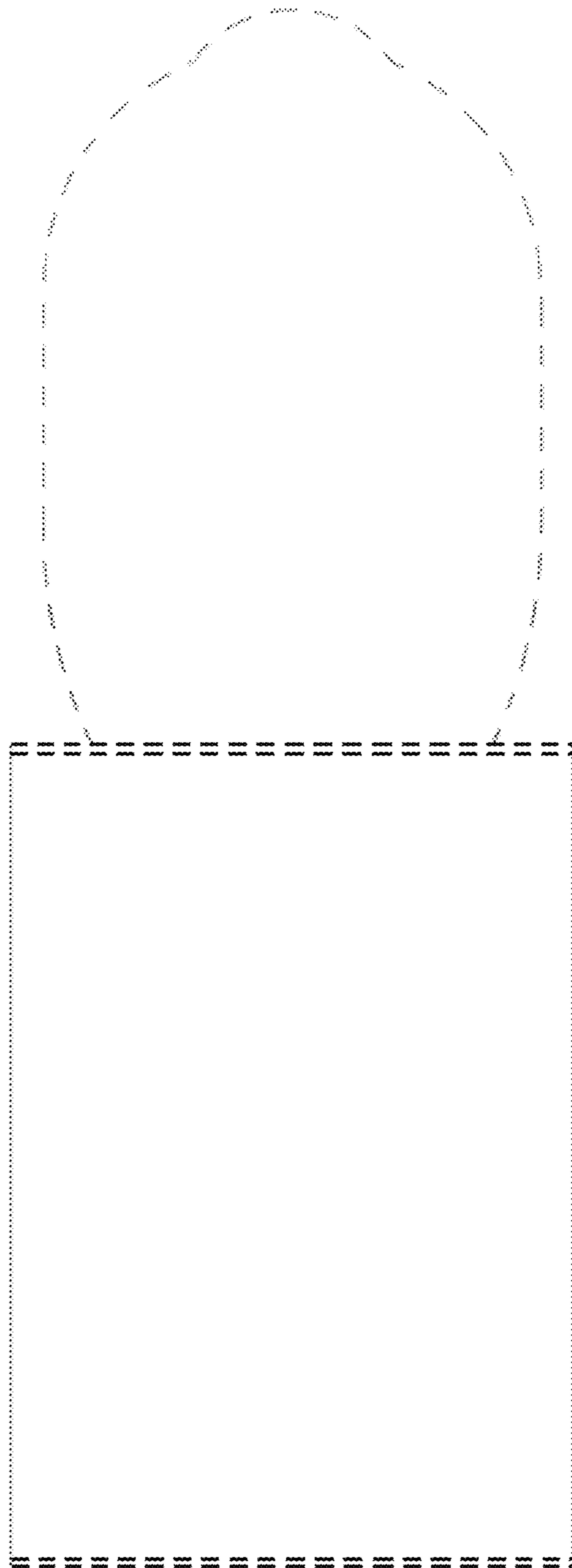


Fig. 7

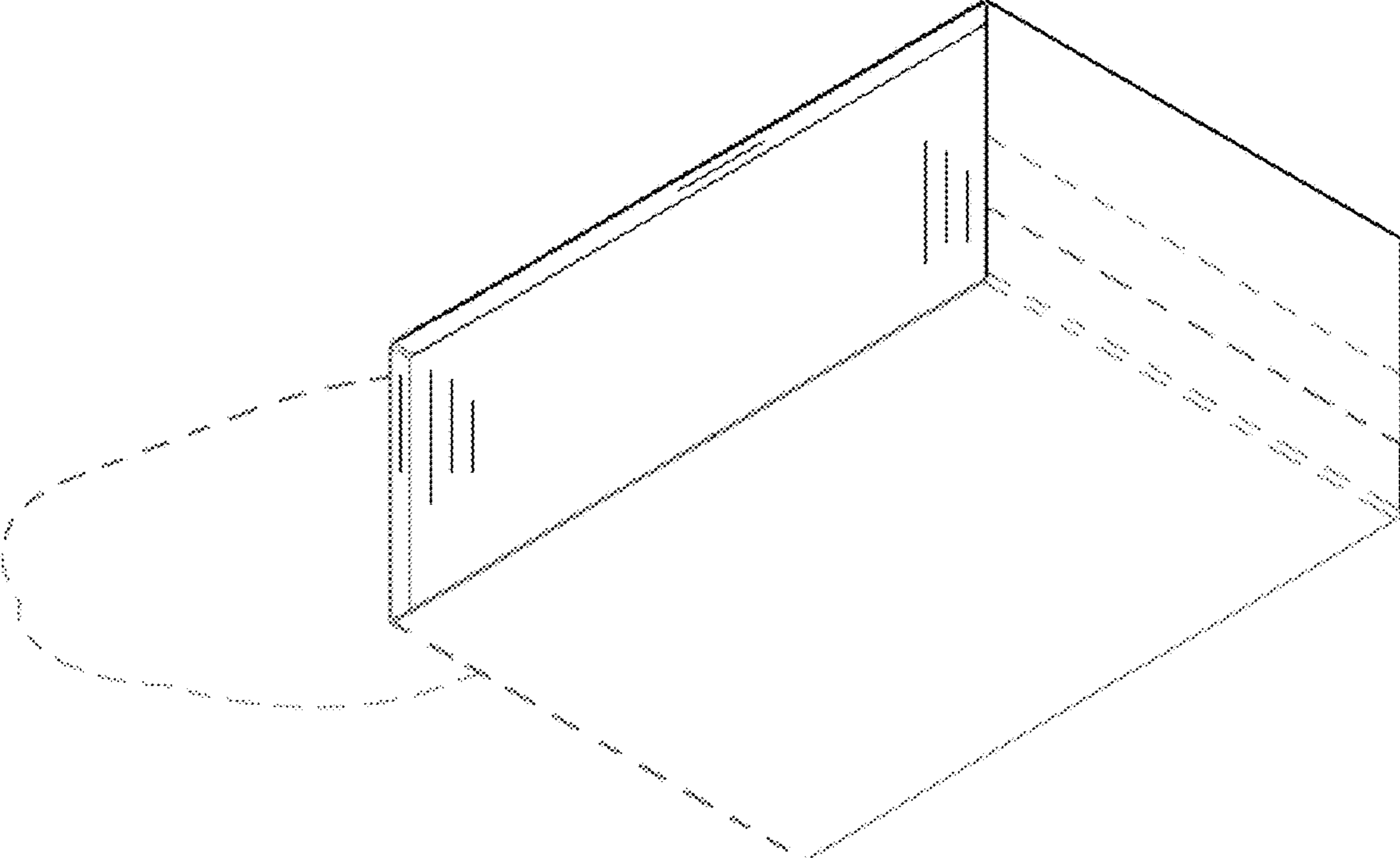


Fig. 8

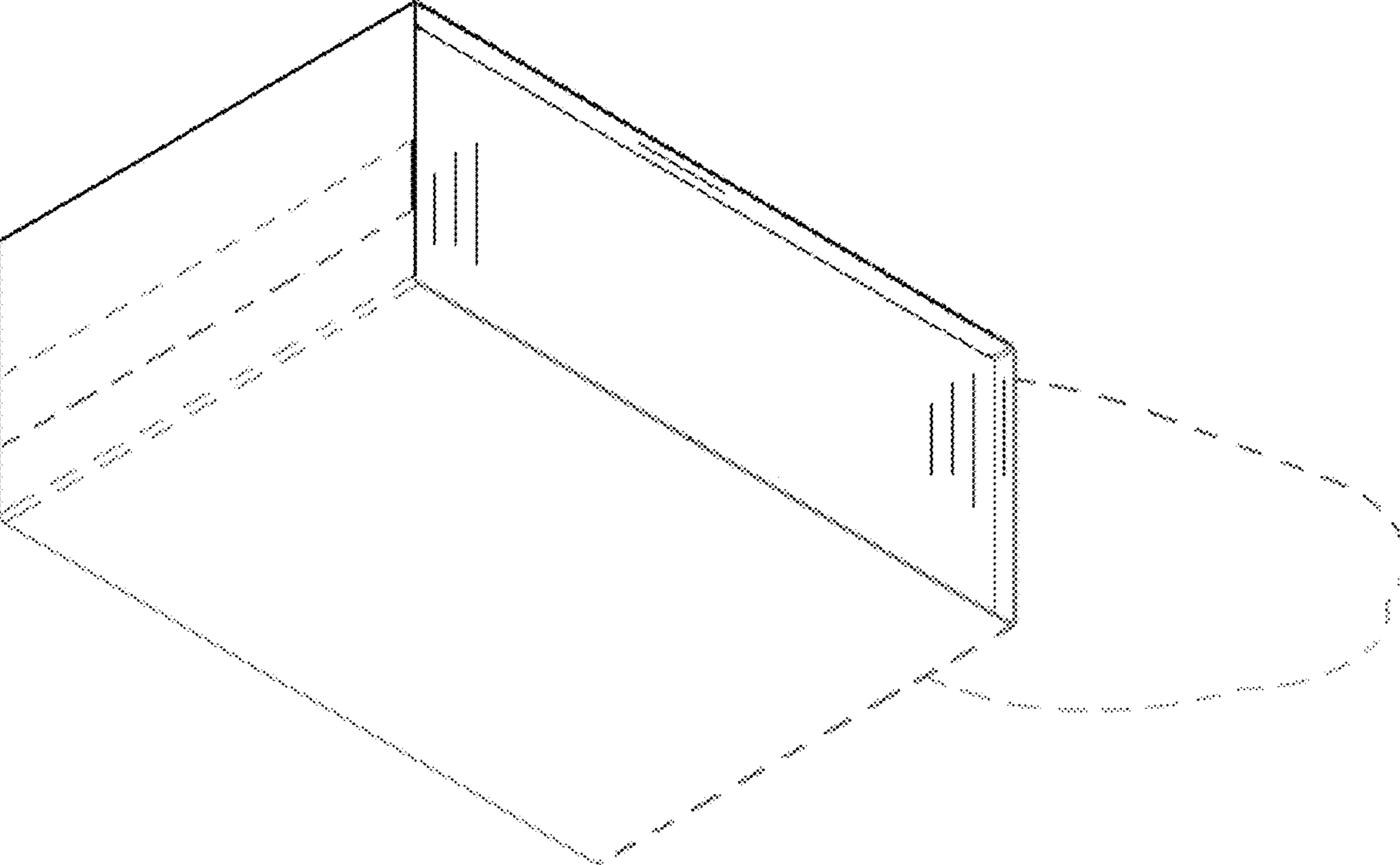


Fig. 9