

US00D899921S

(12) **United States Design Patent** (10) **Patent No.:** **US D899,921 S**
Troudt et al. (45) **Date of Patent:** **** Oct. 27, 2020**

(54) **CONTAINER**

D684,857 S * 6/2013 Zhen D9/429
D694,586 S * 12/2013 Miller D7/587
2010/0147848 A1* 6/2010 Rider, Jr. B65D 43/021
220/203.09

(71) Applicant: **D6 Inc.**, Portland, OR (US)

(72) Inventors: **Martin L. Troudt**, Portland, OR (US);
Edward C. Dominion, Portland, OR
(US); **Benjamin S. McGregor**,
Portland, OR (US)

(73) Assignee: **D6 Inc.**, Portland, OR (US)

(**) Term: **15 Years**

(21) Appl. No.: **29/677,112**

(22) Filed: **Jan. 17, 2019**

(51) **LOC (12) Cl.** **09-03**

(52) **U.S. Cl.**
USPC **D9/425**

(58) **Field of Classification Search**
USPC D7/400, 601, 608; D9/416, 417, 420,
D9/425-429, 430, 432, 761; 206/499,
206/501, 502, 821; 220/625, 656, 669,
220/670, 674; 229/123.1, 123.2, 125.33,
229/125.35, 400-407, 915, 939
CPC . B65D 1/26; B65D 1/40; B65D 5/243; B65D
81/3453; B65D 2581/34; B65D
2581/3404; B65D 2581/3456
See application file for complete search history.

(56) **References Cited**

U.S. PATENT DOCUMENTS

D376,960 S * 12/1996 Ferris D7/538
D414,413 S * 9/1999 Brown D9/425
D479,097 S * 9/2003 Willis D7/565
D539,137 S * 3/2007 Lin D9/429
D612,732 S * 3/2010 Takata D9/428
D614,453 S * 4/2010 Curtin D7/629

OTHER PUBLICATIONS

Design U.S. Appl. No. 29/639,567, filed Mar. 7, 2018.
Design U.S. Appl. No. 29/639,581, filed Mar. 7, 2018.
Design U.S. Appl. No. 29/639,616, filed Mar. 7, 2018.
Design U.S. Appl. No. 29/642,530, filed Mar. 30, 2018.
Design U.S. Appl. No. 29/667,796, filed Oct. 24, 2018.
Design U.S. Appl. No. 29/667,800, filed Oct. 24, 2018.
Design U.S. Appl. No. 29/667,806, filed Oct. 24, 2018.
Design U.S. Appl. No. 29/668,490, filed Oct. 30, 2018.
Design U.S. Appl. No. 29/668,493, filed Oct. 30, 2018.

* cited by examiner

Primary Examiner — Janice Patyk
(74) *Attorney, Agent, or Firm* — Stoel Rives LLP

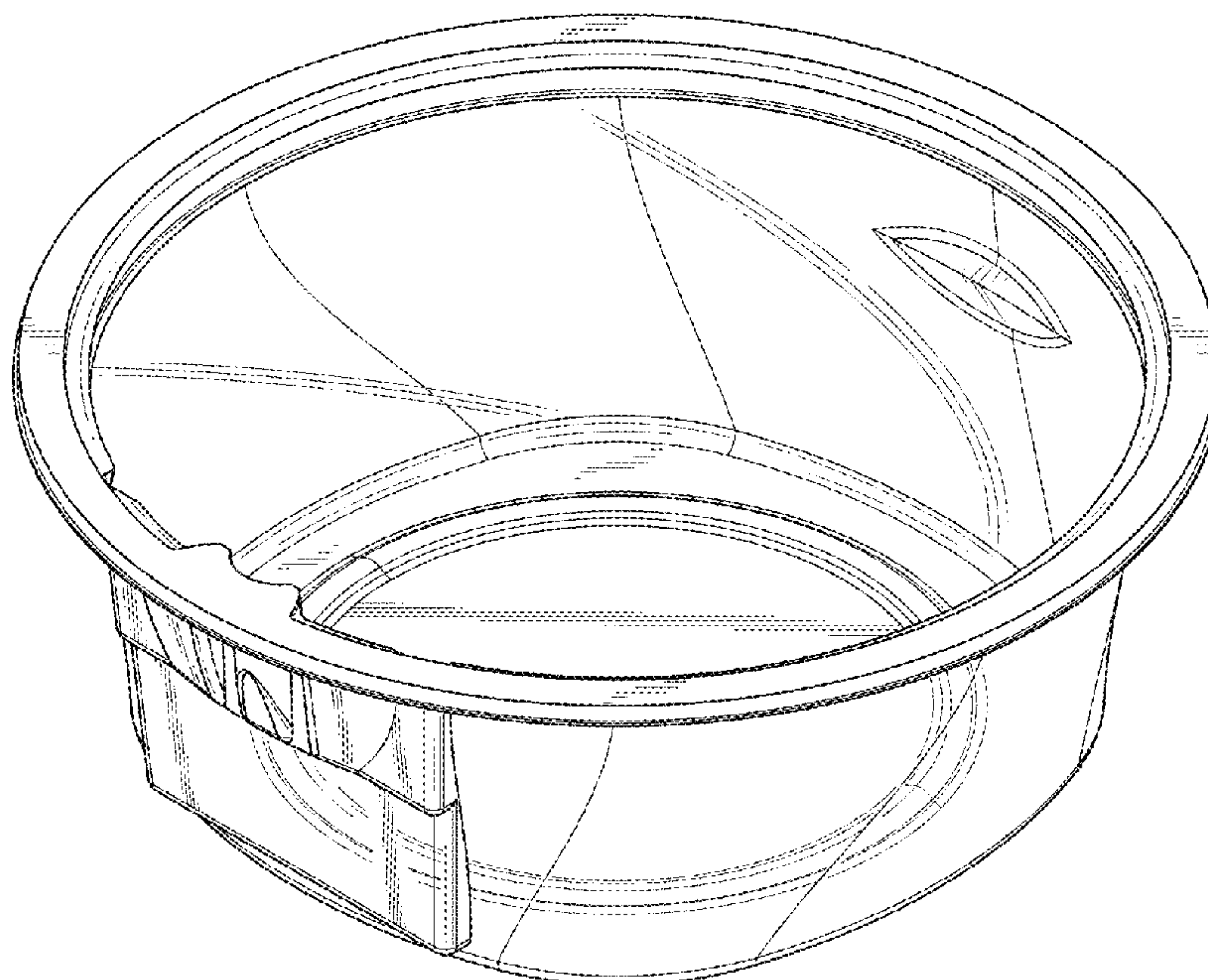
(57) **CLAIM**

The ornamental design for a container, as shown and described.

DESCRIPTION

FIG. 1 is a top perspective view of a container, showing our new design.
FIG. 2 is a bottom perspective view thereof.
FIG. 3 is a front view thereof.
FIG. 4 is a rear view thereof.
FIG. 5 is a left side view thereof.
FIG. 6 is a right side view thereof.
FIG. 7 is a top view thereof; and,
FIG. 8 is a bottom view thereof.

1 Claim, 4 Drawing Sheets



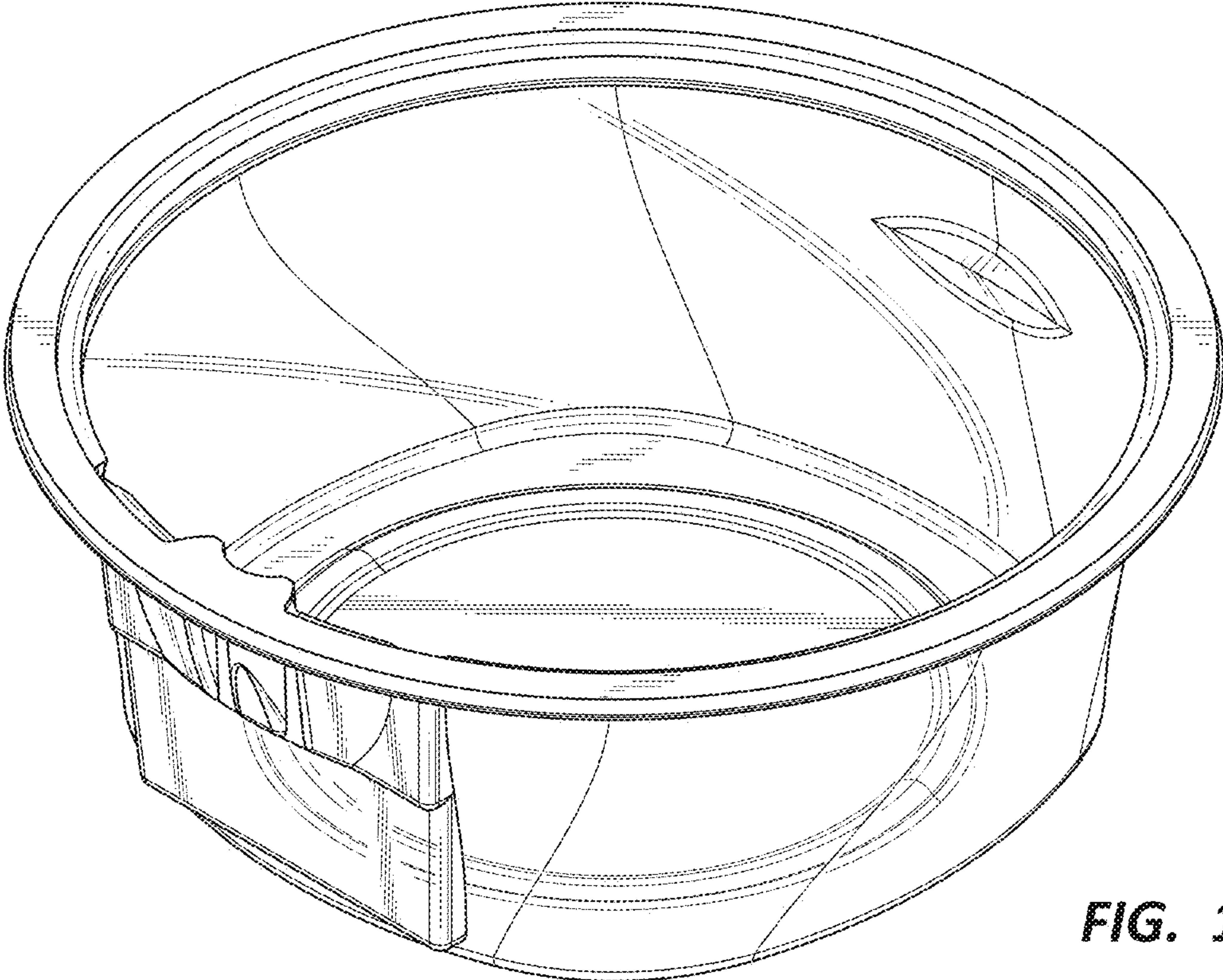


FIG. 1

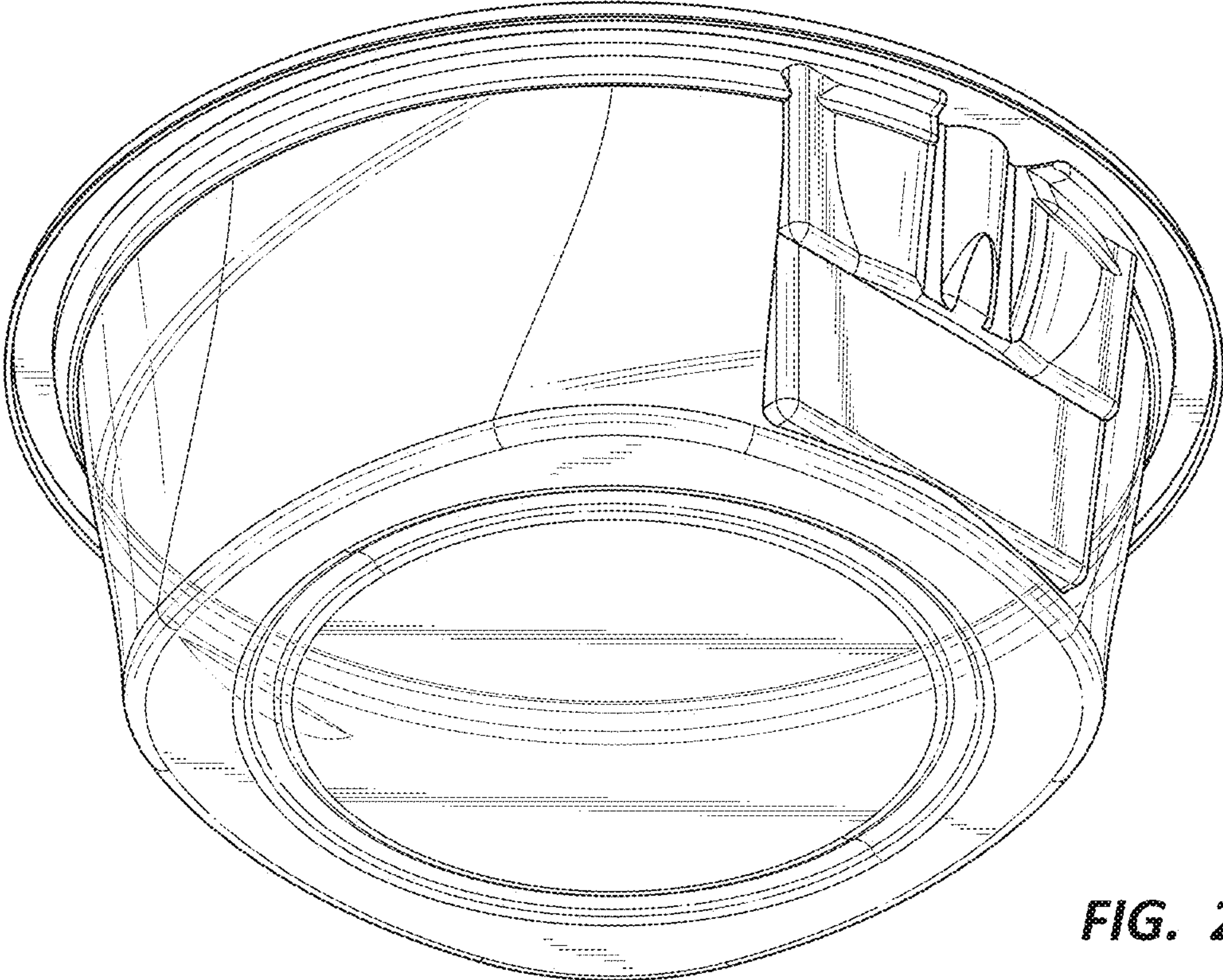


FIG. 2

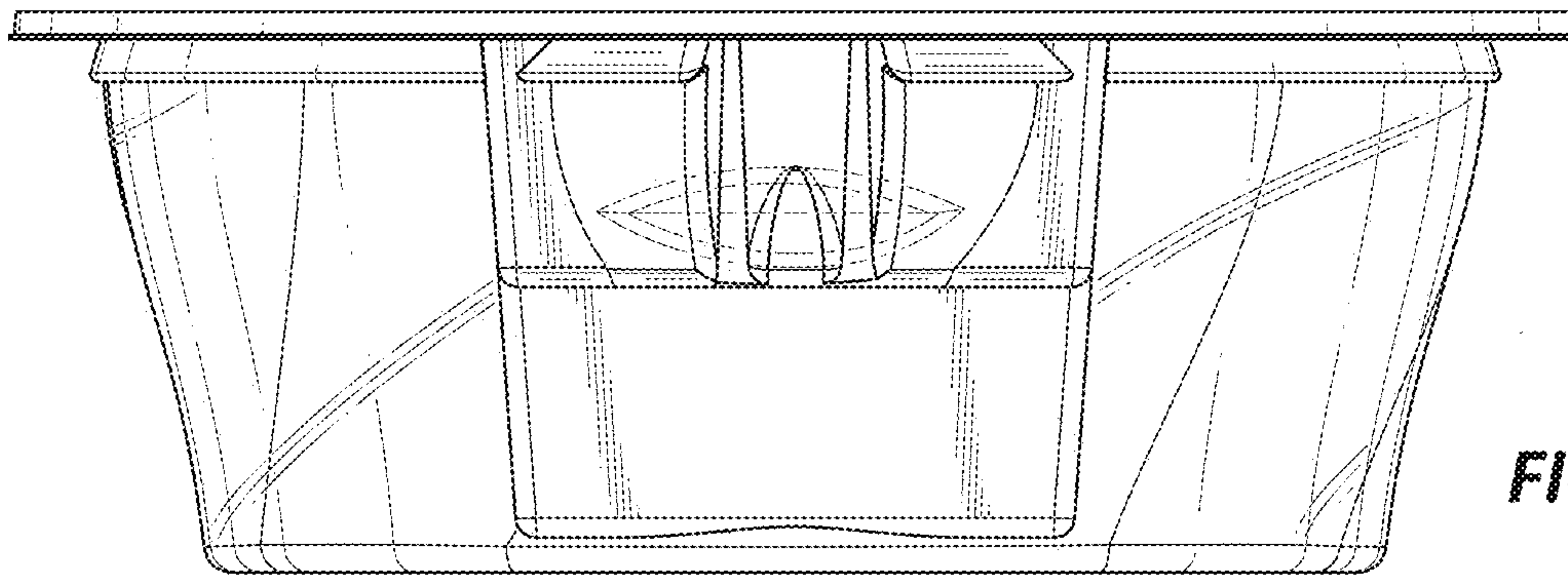


FIG. 3

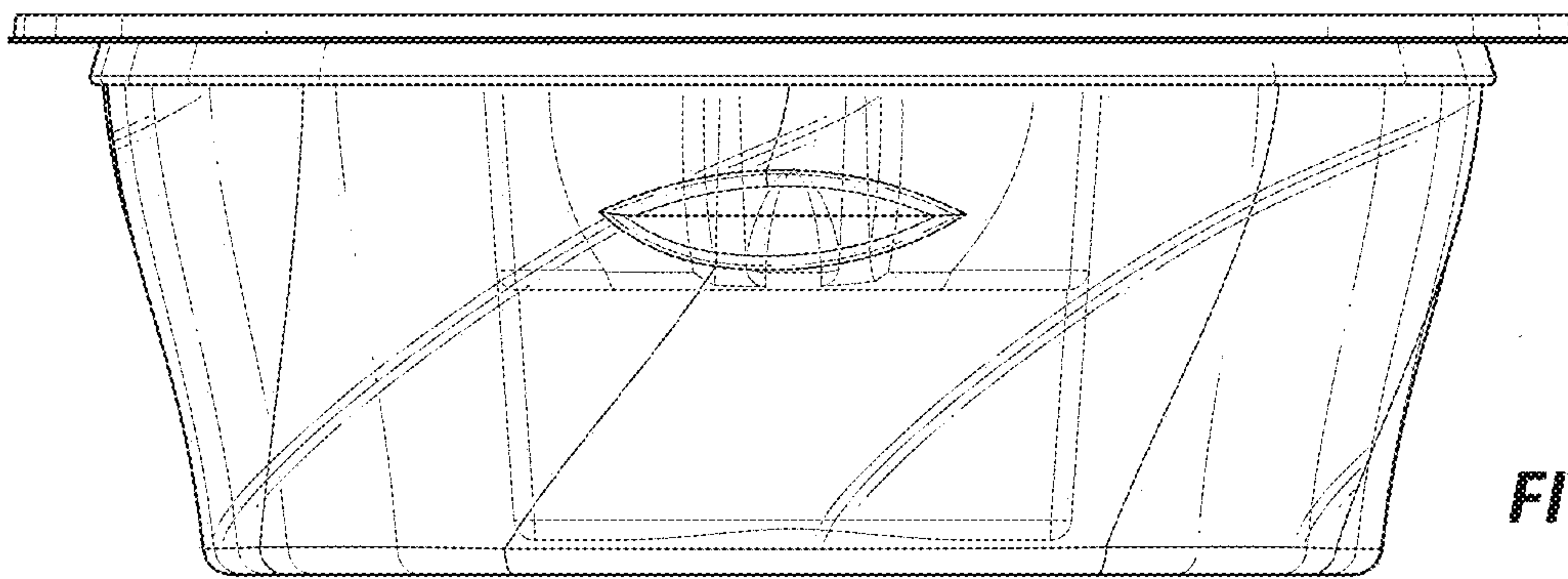


FIG. 4

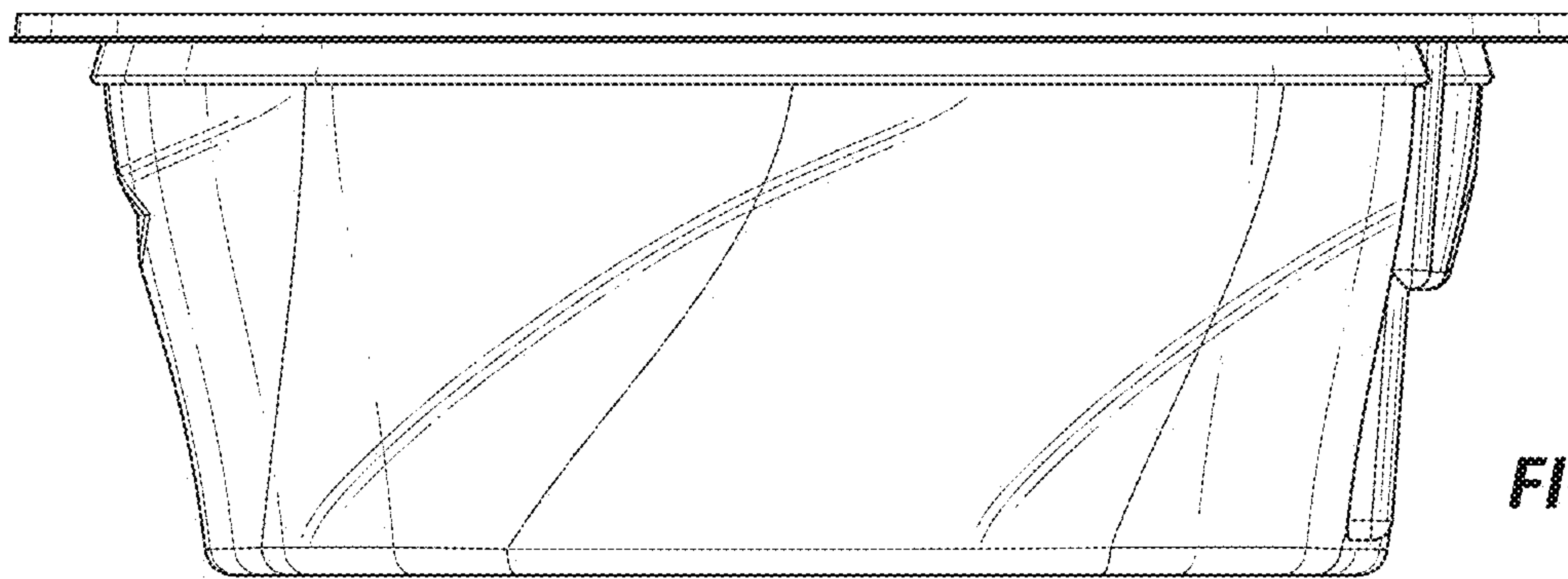


FIG. 5

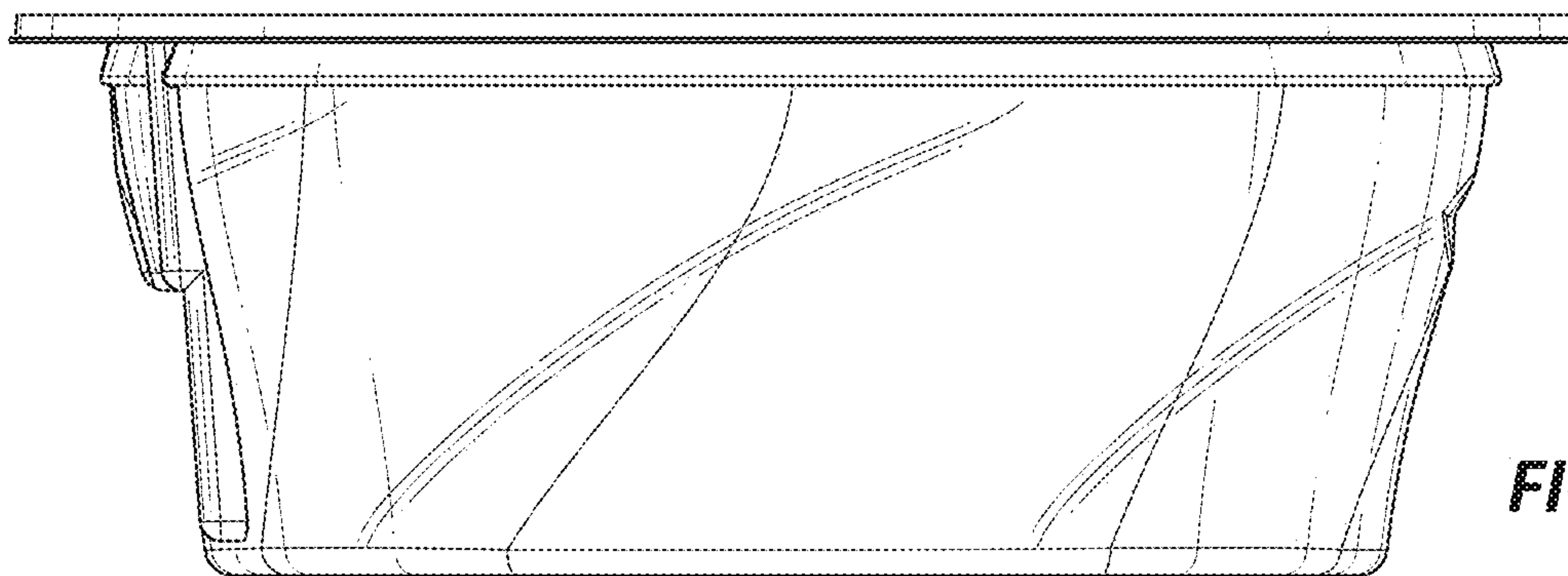


FIG. 6

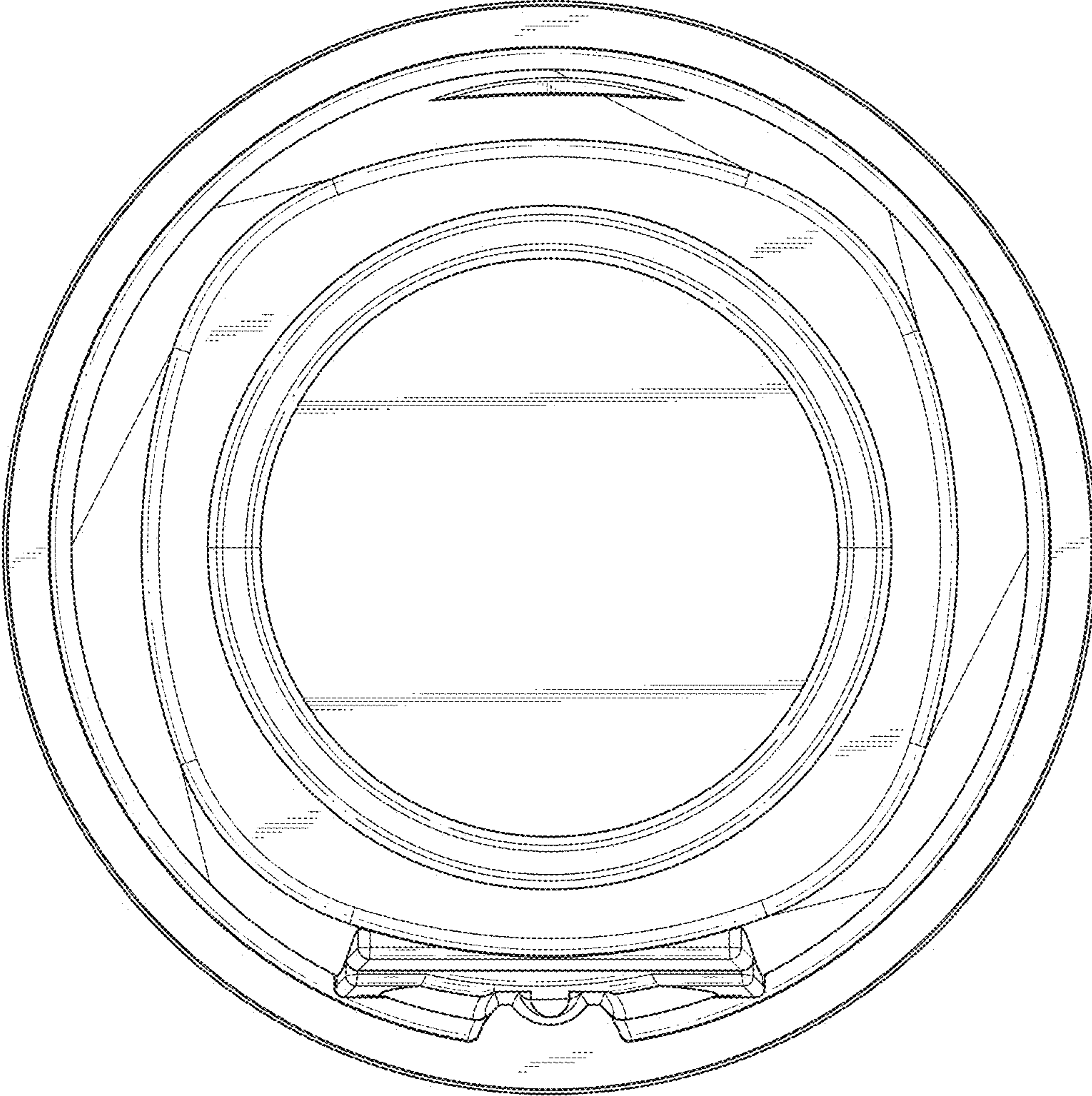


FIG. 7

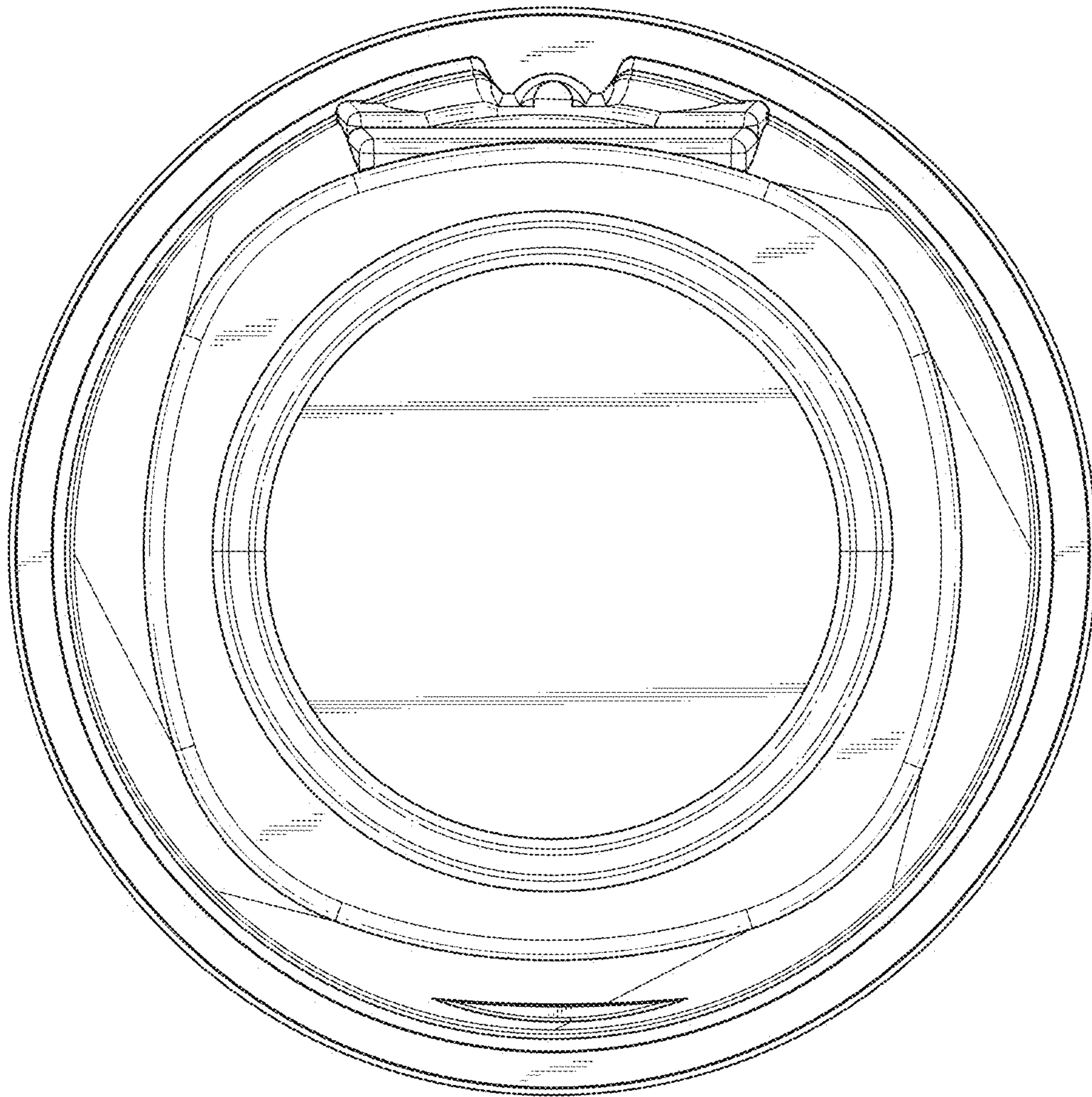


FIG. 8