



US00D899920S

(12) **United States Design Patent**  
**Smith et al.**

(10) **Patent No.:** **US D899,920 S**  
(45) **Date of Patent:** **\*\* Oct. 27, 2020**

(54) **CONTAINER**

(71) Applicants: **William Thomas Smith**, Fair Oaks, CA (US); **Cheryl Ann Smith**, Fair Oaks, CA (US)

(72) Inventors: **William Thomas Smith**, Fair Oaks, CA (US); **Cheryl Ann Smith**, Fair Oaks, CA (US)

(73) Assignee: **ALL PLASTIC, INC.**, Gold River, CA (US)

(\*\*) Term: **15 Years**

(21) Appl. No.: **29/669,024**

(22) Filed: **Nov. 5, 2018**

(51) **LOC (12) Cl.** ..... **09-03**

(52) **U.S. Cl.**  
USPC ..... **D9/424; D9/418**

(58) **Field of Classification Search**  
USPC ..... D9/414-423, 424-429, 430-433, 434, D9/456, 457, 711, 713, 721-722, 737,  
(Continued)

(56) **References Cited**

**U.S. PATENT DOCUMENTS**

D272,595 S \* 2/1984 Chase ..... D7/629  
D475,620 S \* 6/2003 Chen ..... D9/425  
(Continued)

**OTHER PUBLICATIONS**

Locking Ring Bud Pod. [online] Retrieved Mar. 16, 2020 from URL: [https://www.budbardisplays.com/product/pods/locking-ring-bud-pod.\\*](https://www.budbardisplays.com/product/pods/locking-ring-bud-pod.*)

(Continued)

*Primary Examiner* — Vy N Koenig

(74) *Attorney, Agent, or Firm* — Ballard Spahr LLP

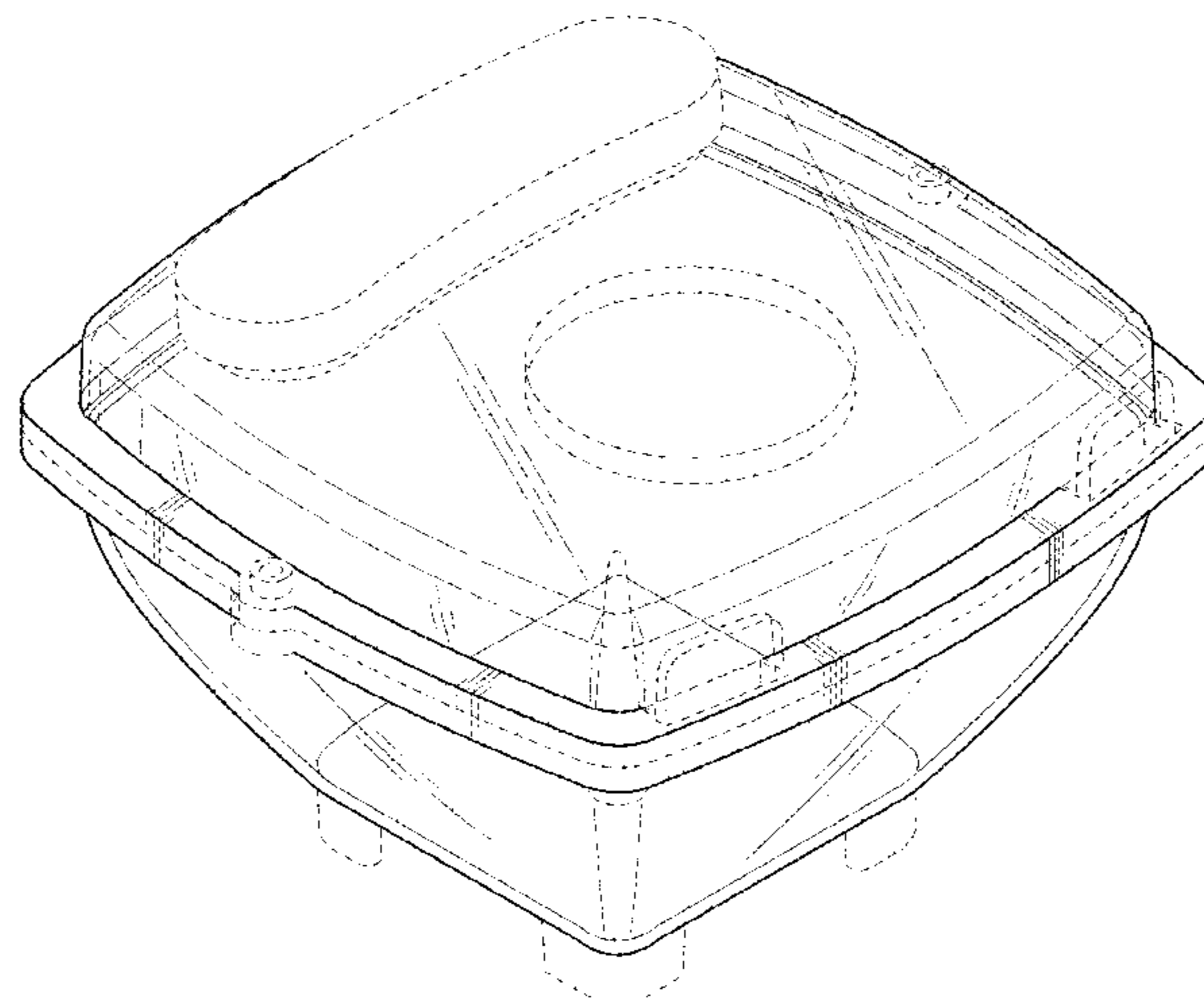
(57) **CLAIM**

We claim the ornamental design for a container, as shown and described.

**DESCRIPTION**

FIG. 1 is a perspective view of our design of a container according to a first embodiment;  
FIG. 2 is a top plan view of the container shown in FIG. 1;  
FIG. 3 is a bottom plan view of the container shown in FIG. 1;  
FIG. 4 is a rear view of the container shown in FIG. 1;  
FIG. 5 is a right side view of the container shown in FIG. 1;  
FIG. 6 is a front view of the container shown in FIG. 1;  
FIG. 7 is a left side view of the container shown in FIG. 1;  
FIG. 8 is an exploded view of the container shown in FIG. 1;  
FIG. 9 is a perspective view of our design of a container according to a second embodiment;  
FIG. 10 is a top plan view of the container shown in FIG. 9;  
FIG. 11 is a bottom plan view of the container shown FIG. 9;  
FIG. 12 is a rear view of the container shown in FIG. 9;  
FIG. 13 is a right side view of the container shown in FIG. 9;  
FIG. 14 is a front view of the container shown in FIG. 9;  
FIG. 15 is a left side view of the container shown in FIG. 9;  
FIG. 16 is an exploded view of the container shown in FIG. 9;  
FIG. 17 is a perspective view of our design of a container according to a third embodiment;  
FIG. 18 is a top plan view of the container shown in FIG. 17;  
FIG. 19 is a bottom plan view of the container shown FIG. 17;  
FIG. 20 is a rear view of the container shown in FIG. 17;  
FIG. 21 is a right side view of the container shown in FIG. 17;  
FIG. 22 is a front view of the container shown in FIG. 17;  
FIG. 23 is a left side view of the container shown in FIG. 17;  
and,  
FIG. 24 is an exploded view of the container shown in FIG. 17.

(Continued)



The broken lines depict portions of the container that form no part of the claimed design.

1 Claim, 18 Drawing Sheets

|              |    |   |         |         |       |             |
|--------------|----|---|---------|---------|-------|-------------|
| D848,256     | S  | * | 5/2019  | Tempel  | ..... | D9/425      |
| D849,526     | S  | * | 5/2019  | Sanders | ..... | D9/425      |
| 10,384,834   | B2 | * | 8/2019  | Smith   | ..... | B65D 51/245 |
| D859,894     | S  | * | 9/2019  | Smith   | ..... | D6/682.1    |
| 2016/0318672 | A1 | * | 11/2016 | Smith   | ..... | B65D 85/70  |
| 2017/0190482 | A1 | * | 7/2017  | Smith   | ..... | A47F 3/145  |

(58) Field of Classification Search

USPC ..... D9/756, 758, 759, 760; D3/272-274,  
D3/290, 304, 305, 315; D20/10, 22, 27,  
D20/40, 42  
CPC ... B65D 5/00; B65D 5/02; B65D 5/18; B65D  
5/20

See application file for complete search history.

(56) References Cited

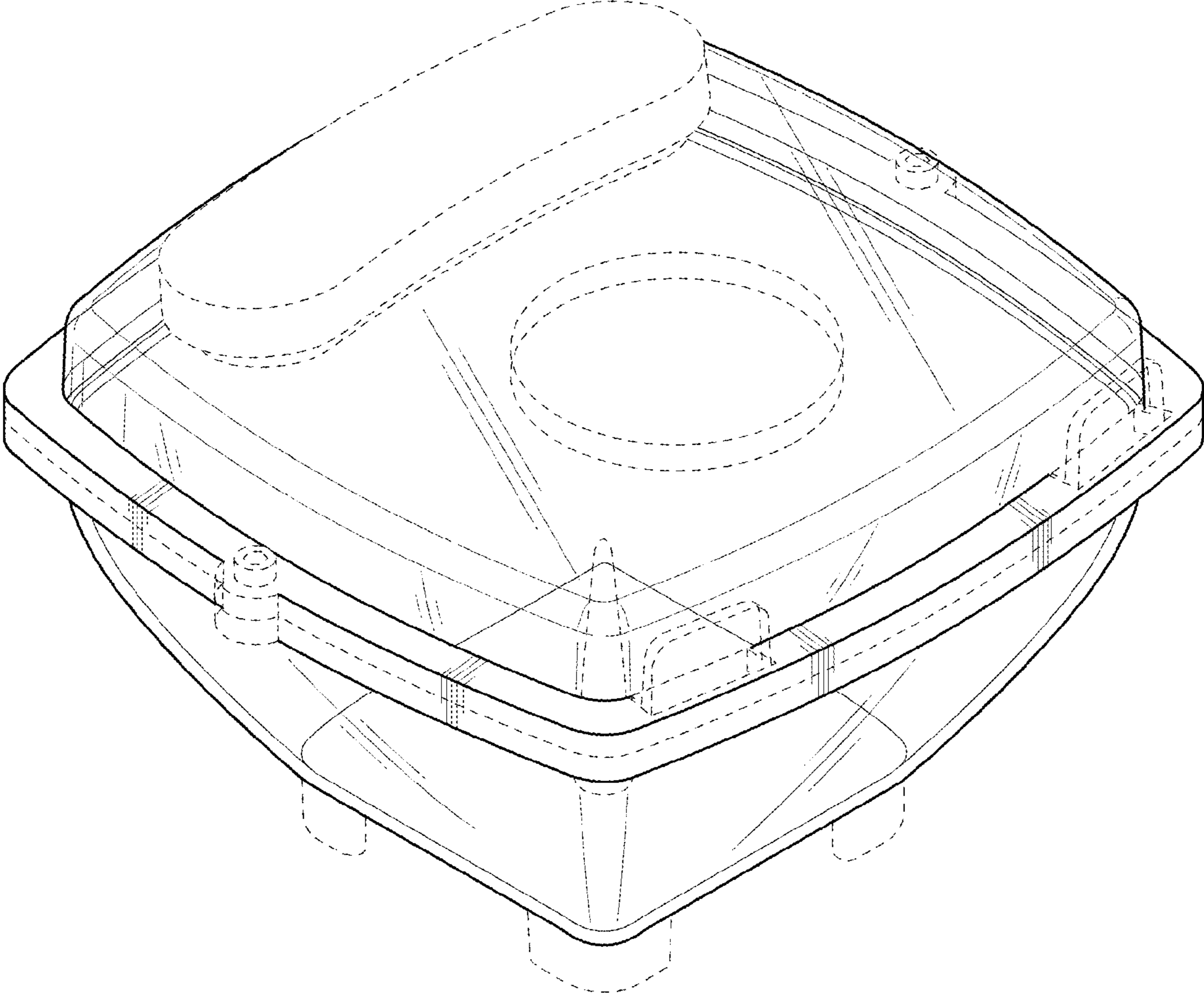
U.S. PATENT DOCUMENTS

|          |   |   |        |          |       |        |
|----------|---|---|--------|----------|-------|--------|
| D590,706 | S | * | 4/2009 | Doliwa   | ..... | D7/629 |
| D591,148 | S | * | 4/2009 | Parikh   | ..... | D7/629 |
| D600,111 | S | * | 9/2009 | Gerulski | ..... | D9/424 |
| D730,726 | S | * | 6/2015 | Astorga  | ..... | D9/425 |
| D778,718 | S | * | 2/2017 | Smith    | ..... | D9/431 |
| D795,057 | S | * | 8/2017 | Segal    | ..... | D9/425 |
| D812,939 | S | * | 3/2018 | Modlin   | ..... | D6/677 |

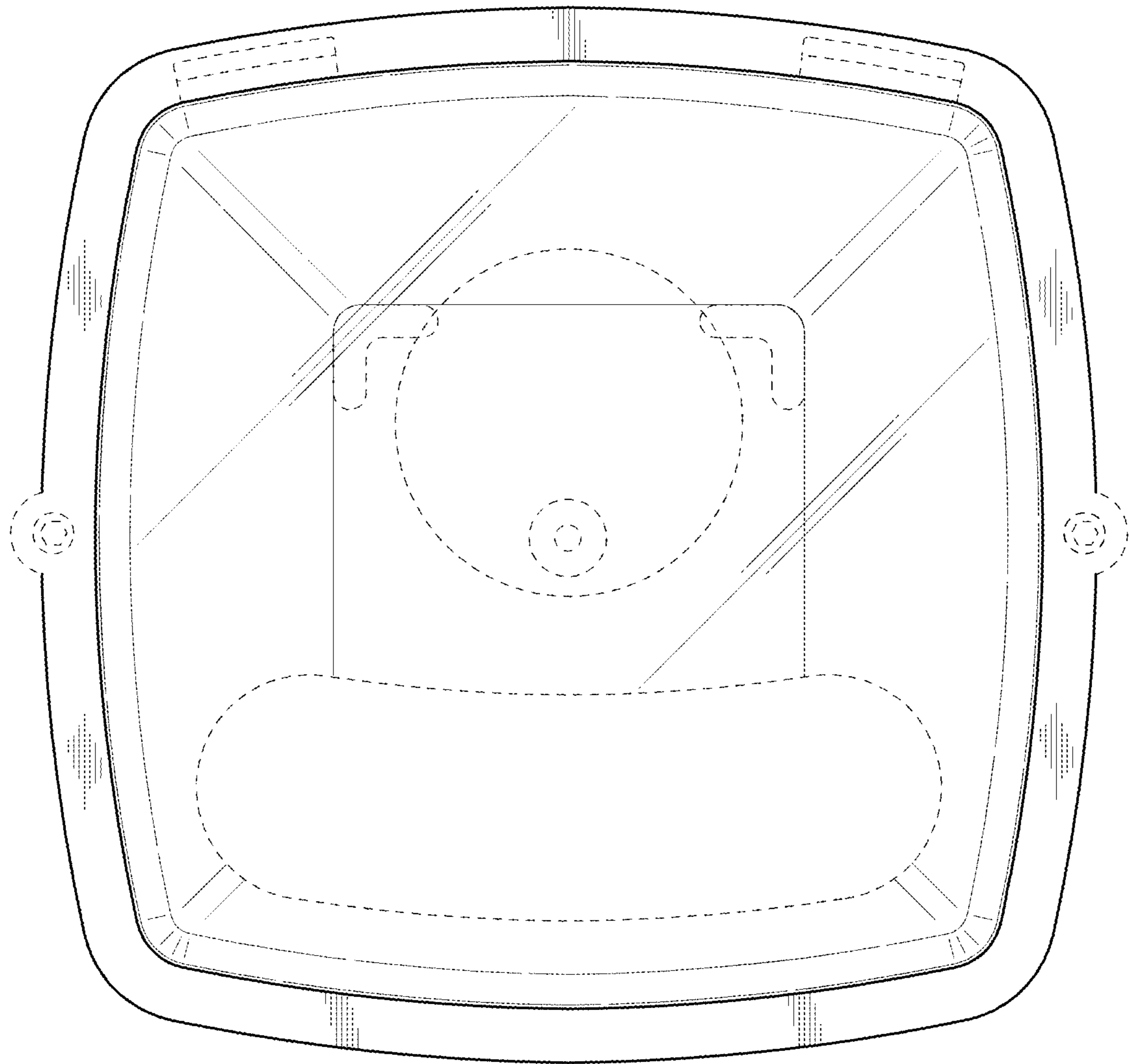
OTHER PUBLICATIONS

- 3 Tier Lighted-Display, Jul. 9, 2017 (1 page).
- Bud Bar Cabinet, Jul. 9, 2017 (1 page).
- Bud pod, Jan. 23, 2016 (1 page).
- Bud Pod, Jul. 9, 2017 (1 page).
- Budtender1, Jul. 9, 2017 (1 page).
- Canna Con, Jun. 11-13 (3 pages).
- Dope magazine, Issue #7, Dec. 2015 (2 pages).
- Eco Pod Cabinet, Jul. 9, 2017 (1 page).
- Highlight display, Jan. 23, 2016 (1 page).
- Marijuana Business Magazine, vol. 2, Issue 4, Jul. 2015 (2 pages).
- Marijuana Venture Magazine, Jun. 2017 (3 pages).
- Marijuana Venture Magazine, Nov. 2017 (3 pages).
- MG magazine, Feb. 2016 (2 pages).
- Sample pod package, Jul. 9, 2017 (1 page).
- Security Seals for Pods1, Jul. 9, 2017 (1 page).
- Tether on Bud Pod3, Jul. 9, 2017 (1 page).

\* cited by examiner



**FIG. 1**



**FIG. 2**

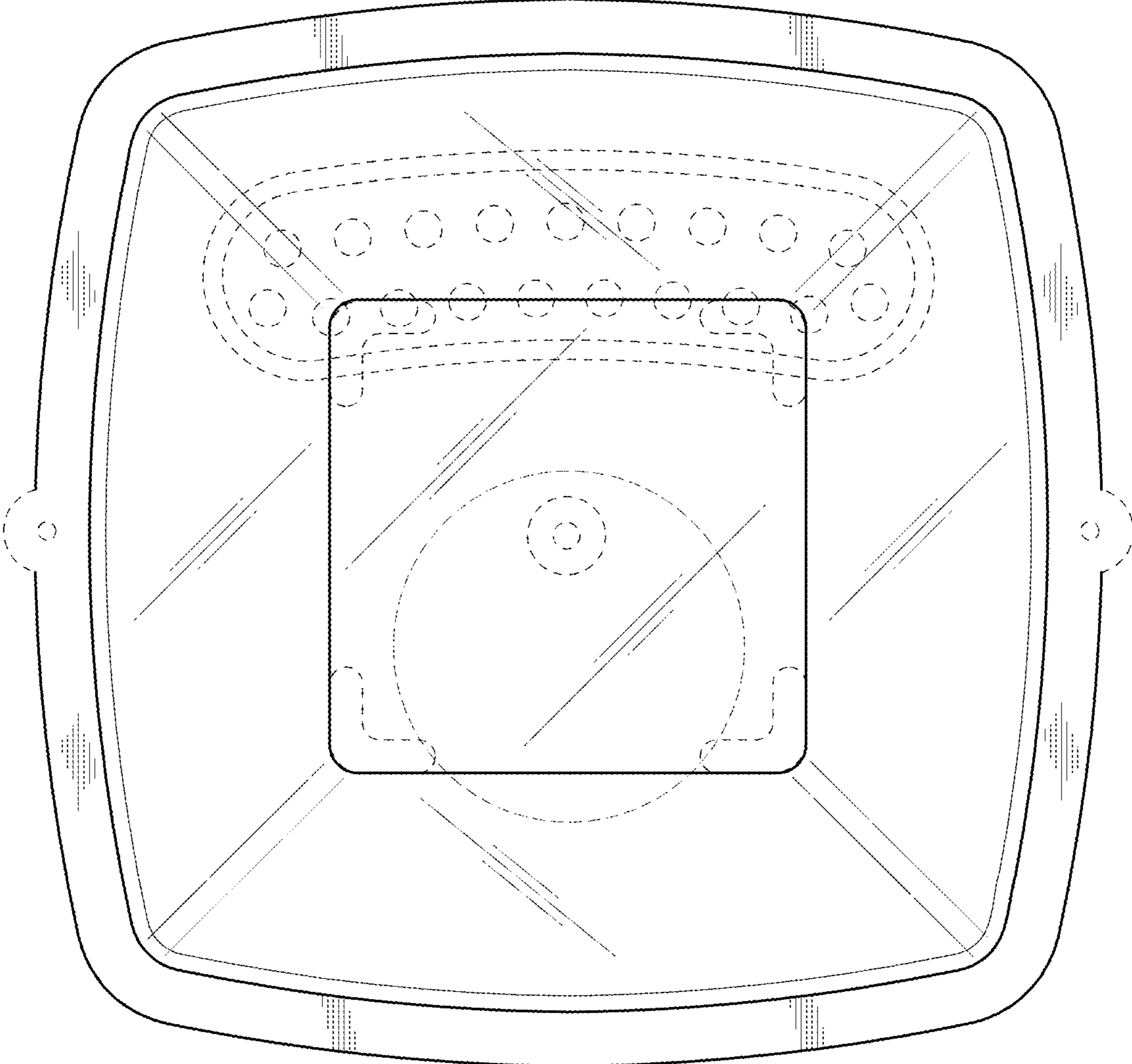
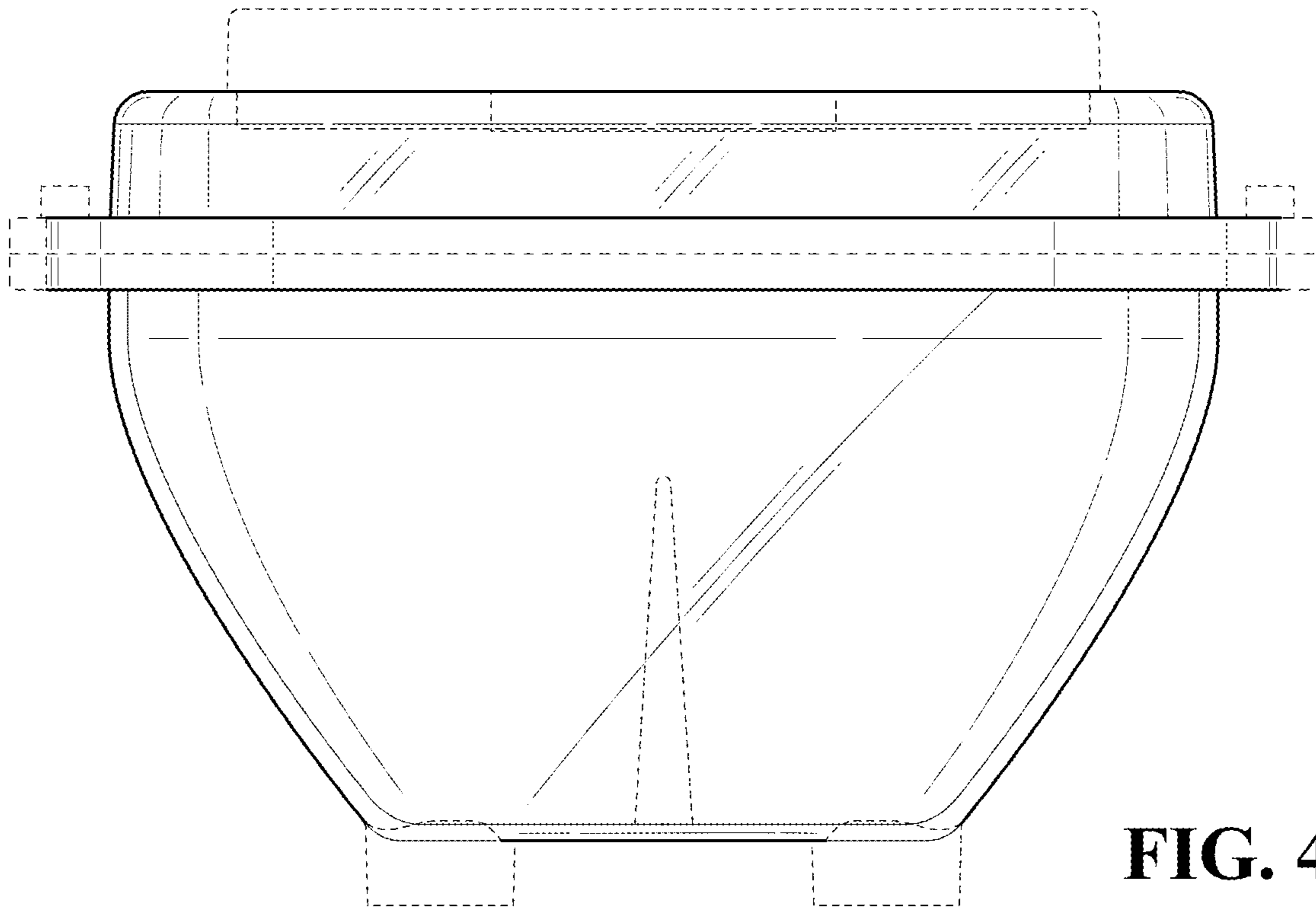
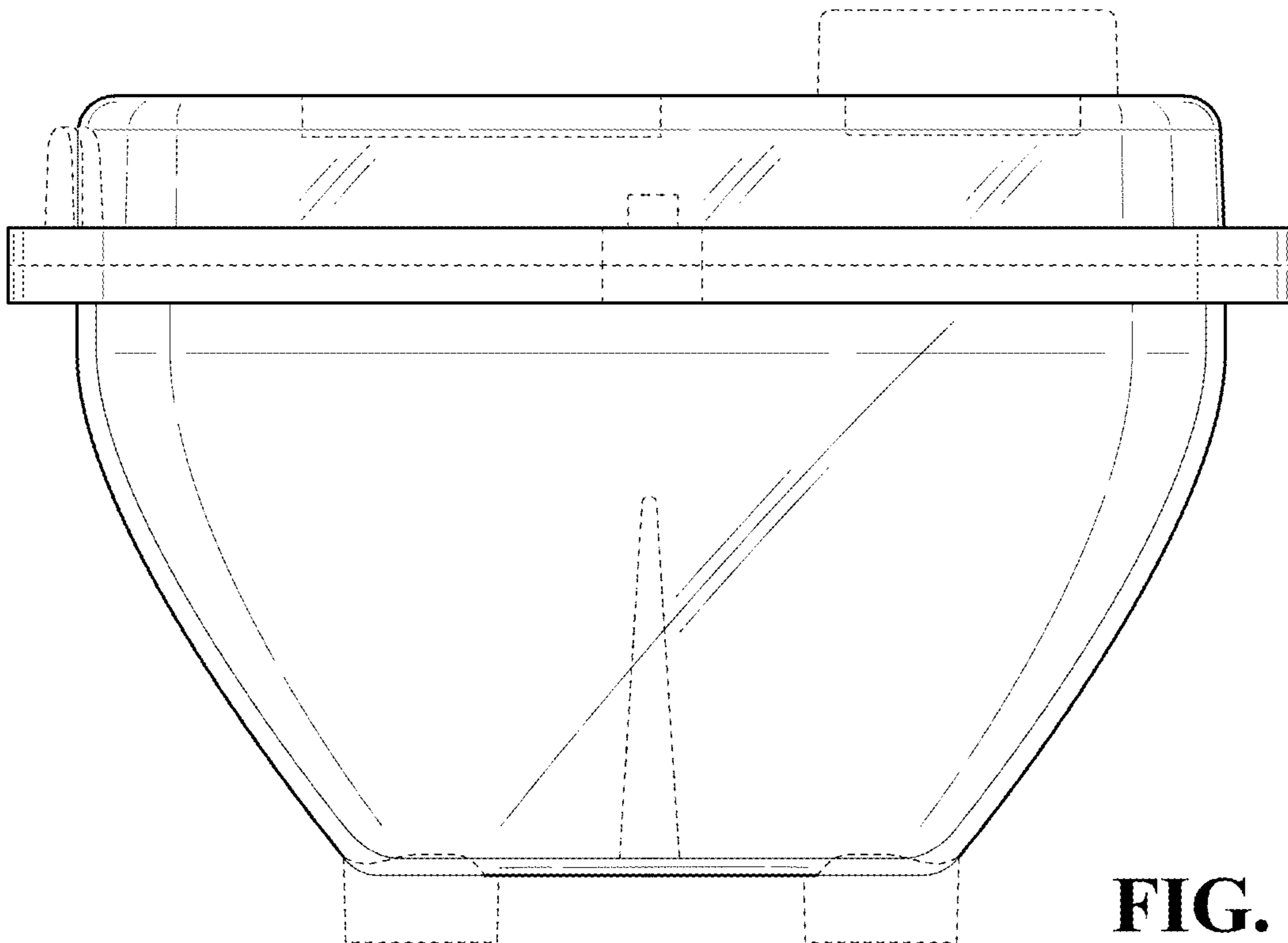


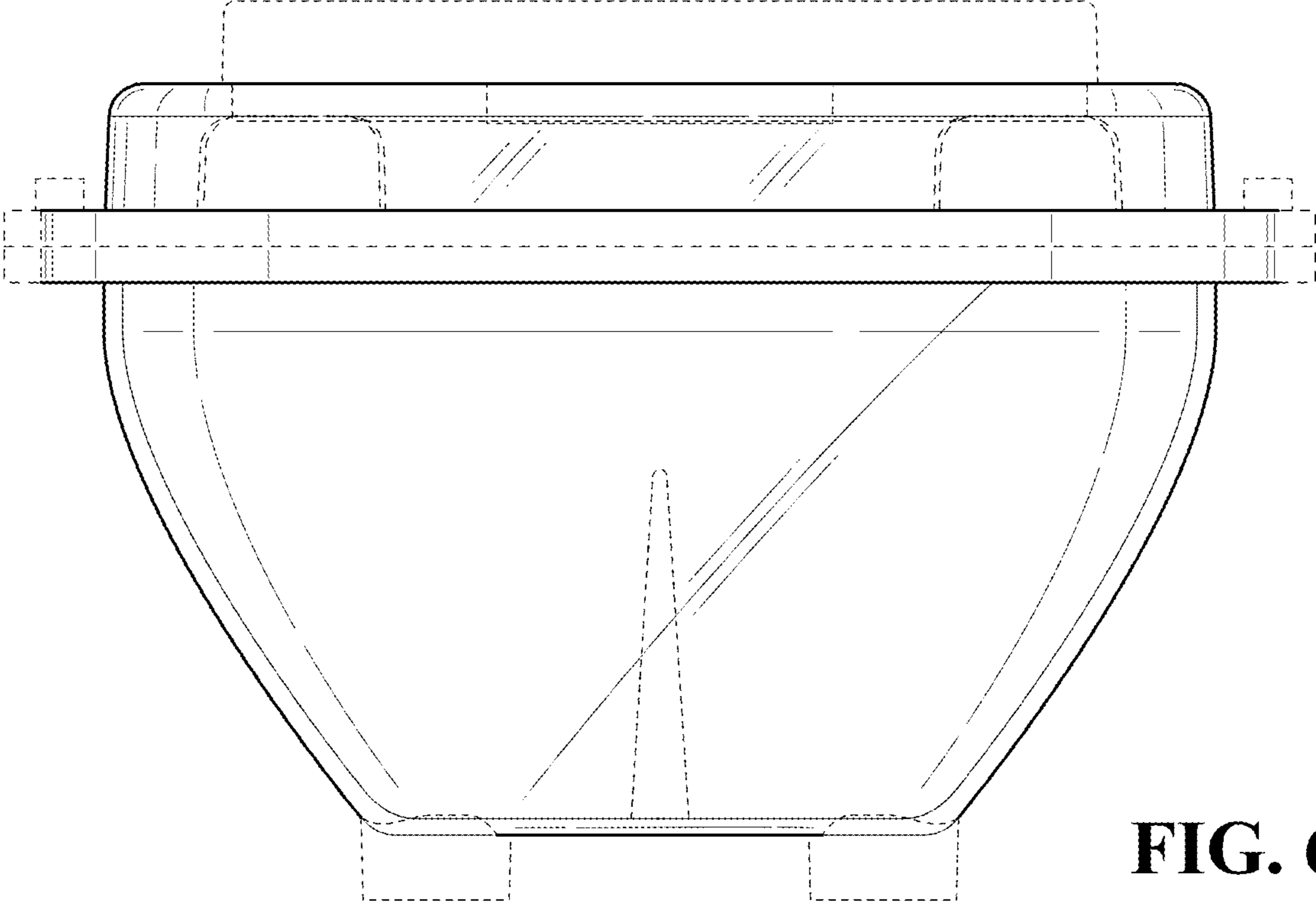
FIG. 3



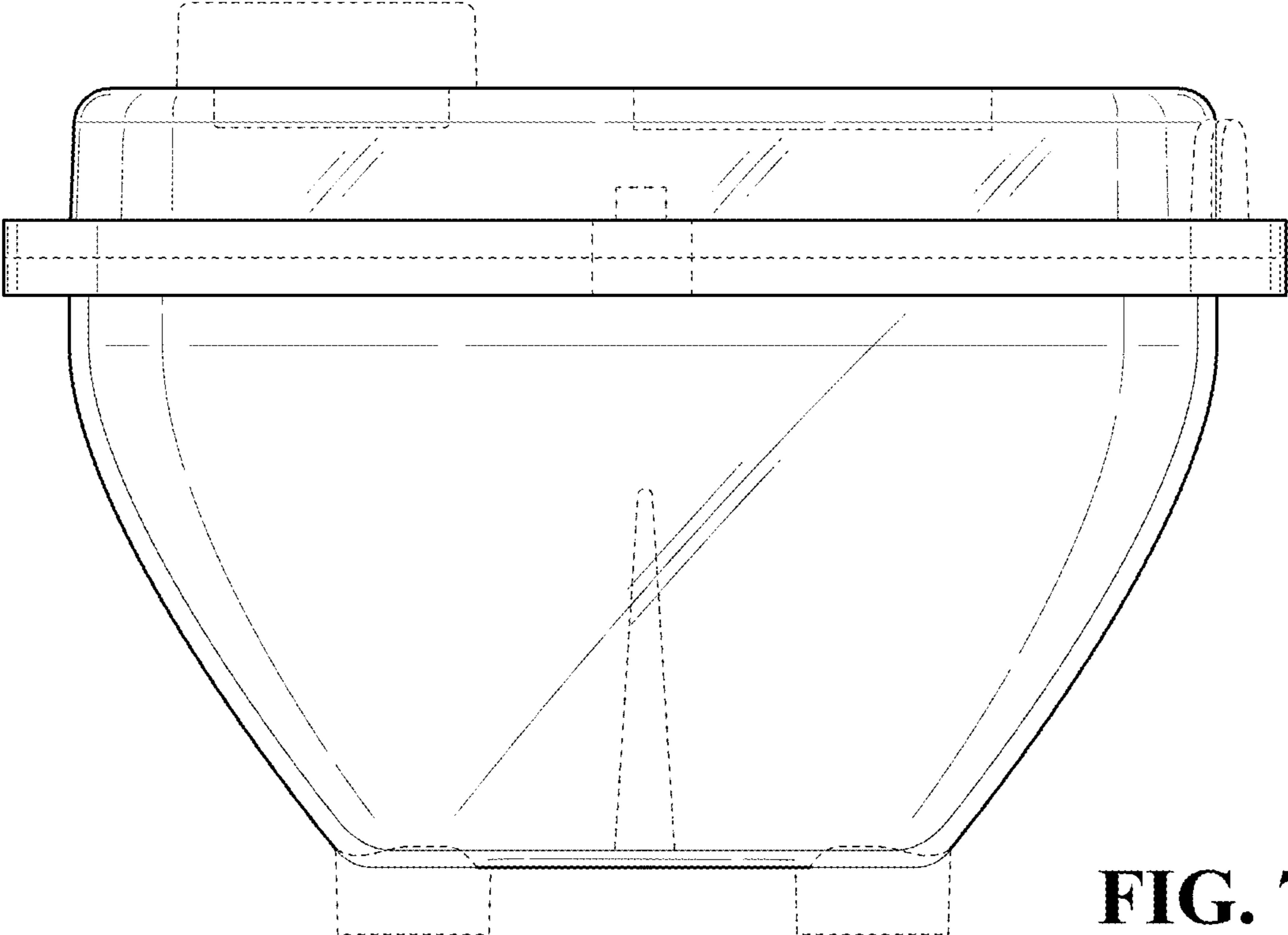
**FIG. 4**



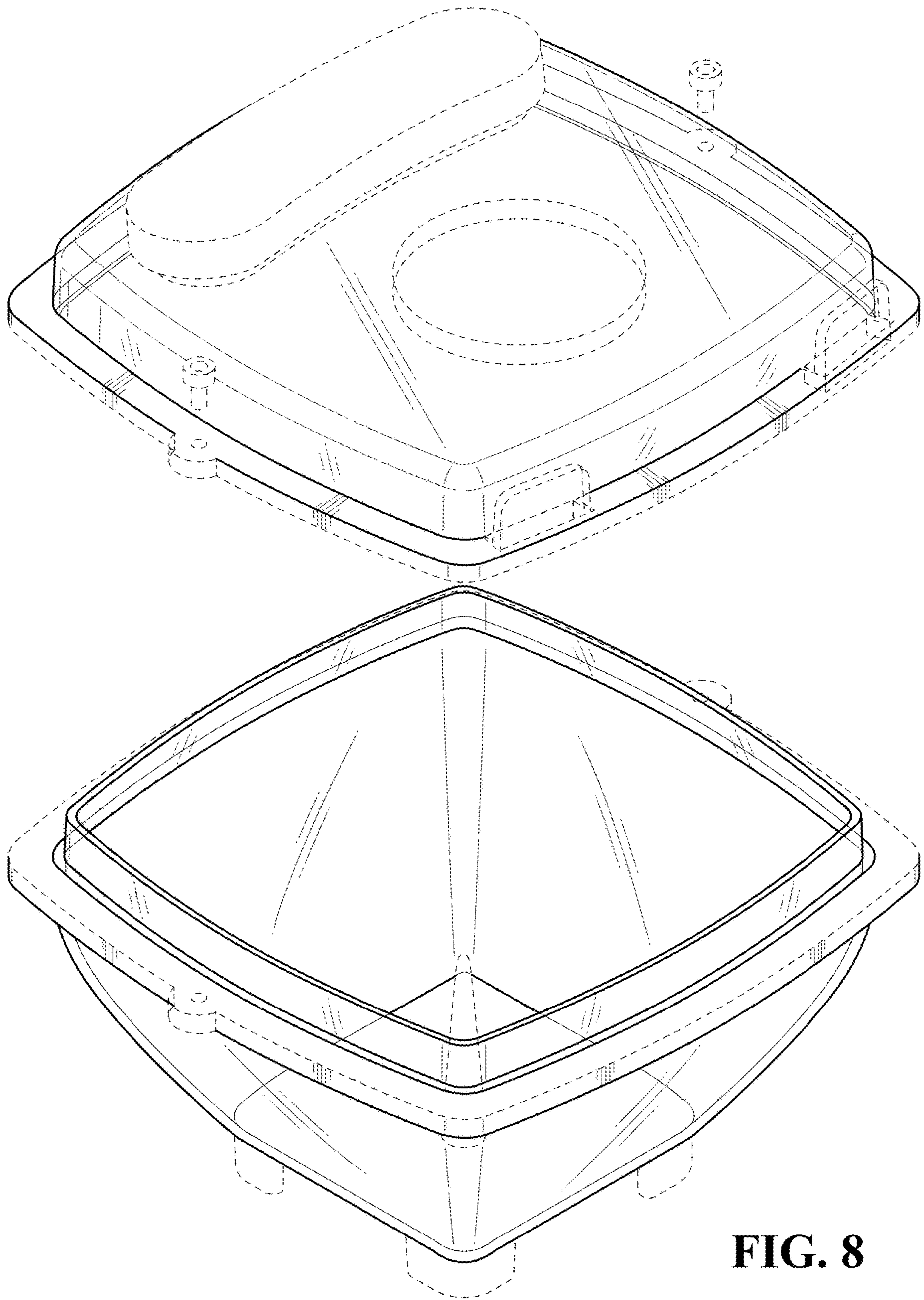
**FIG. 5**



**FIG. 6**

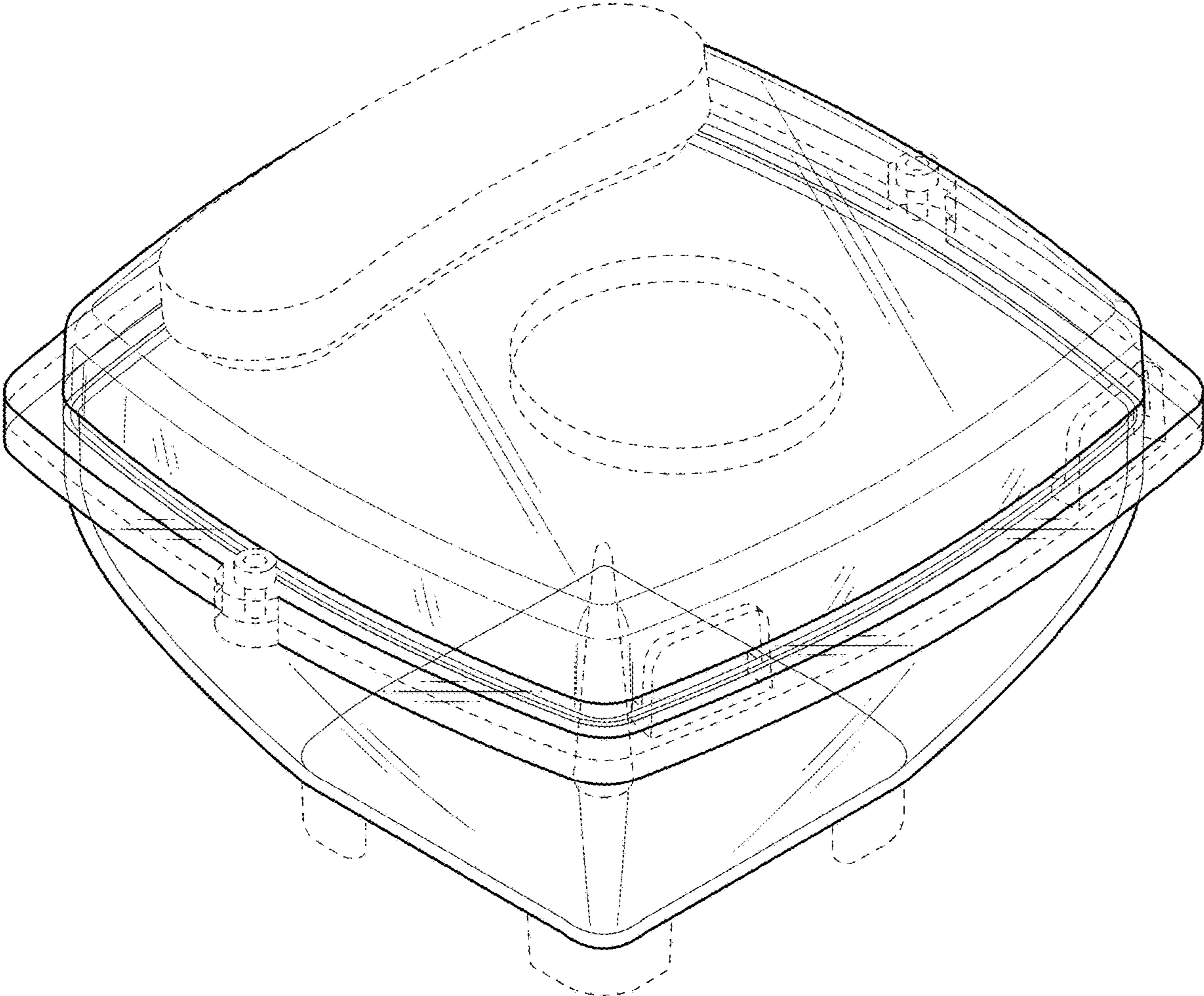


**FIG. 7**

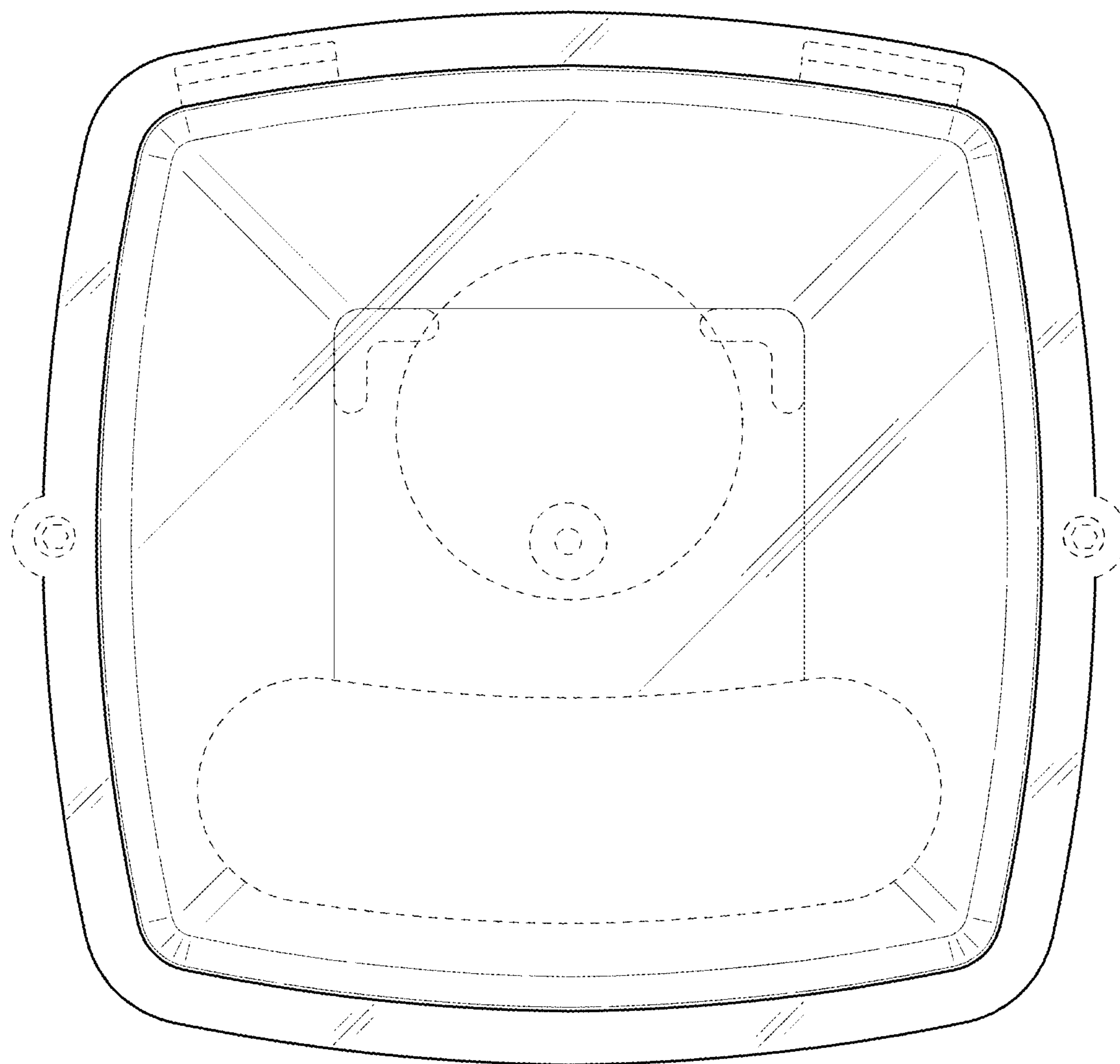


**FIG. 8**





**FIG. 9**



**FIG. 10**

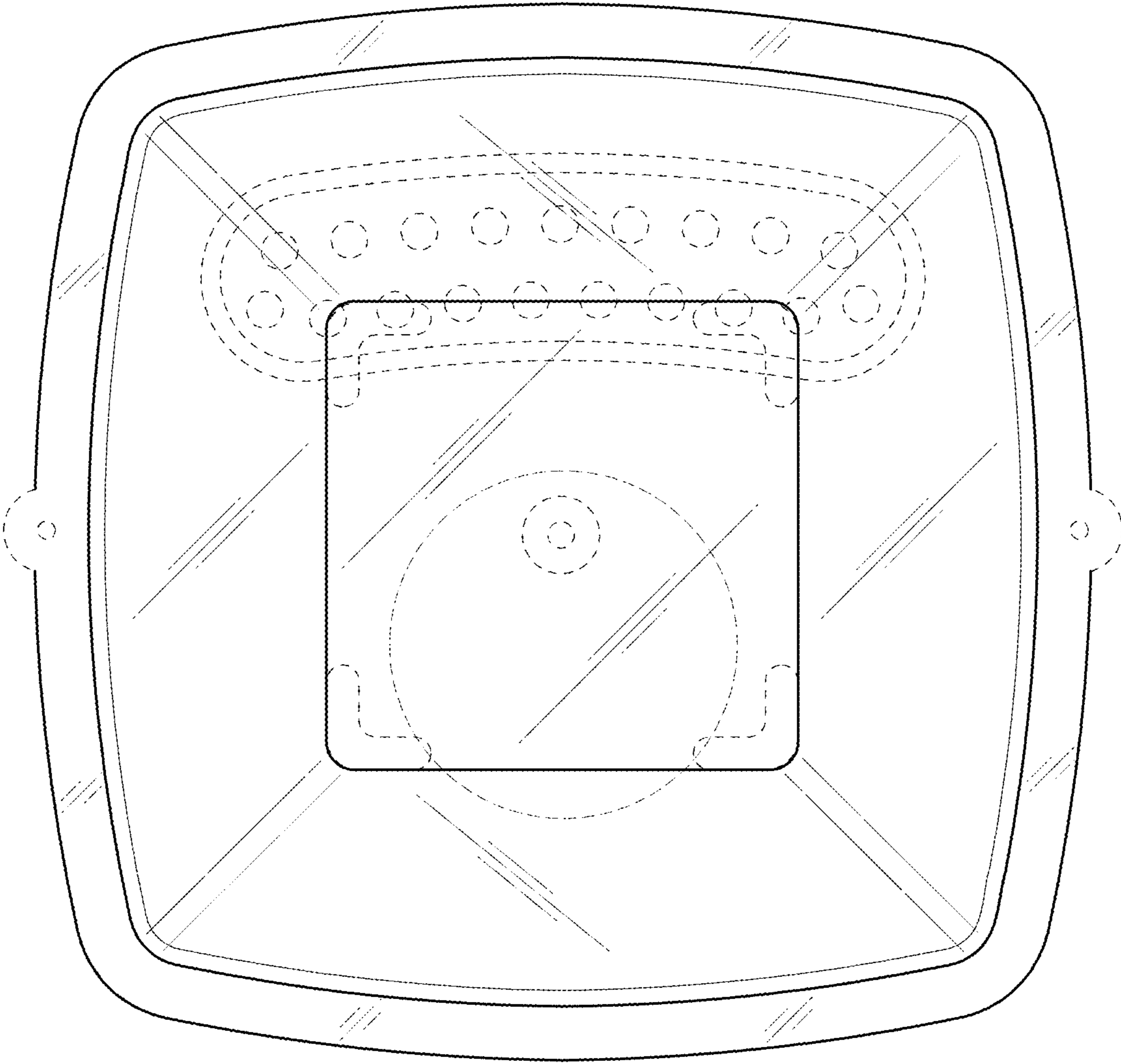
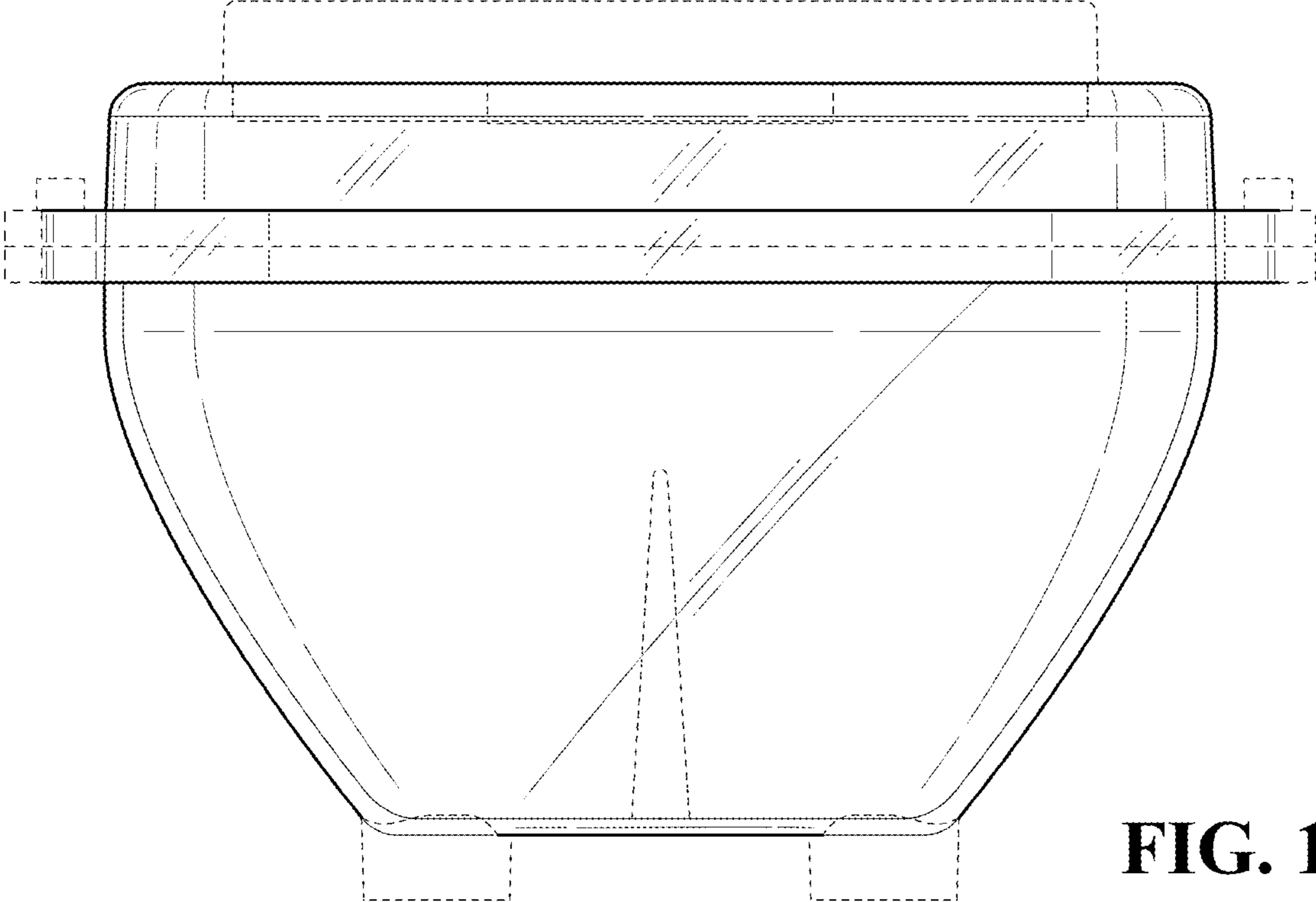
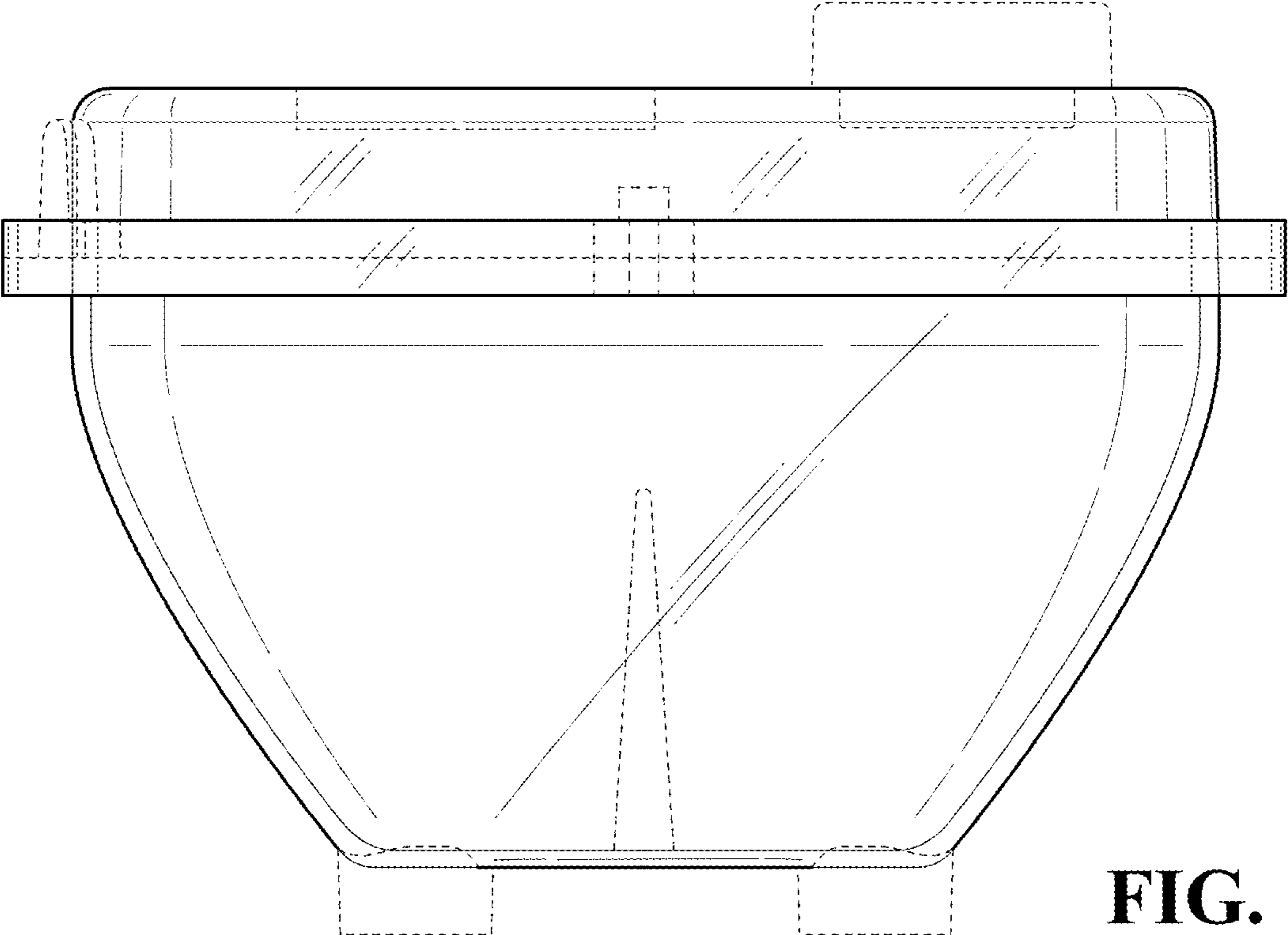


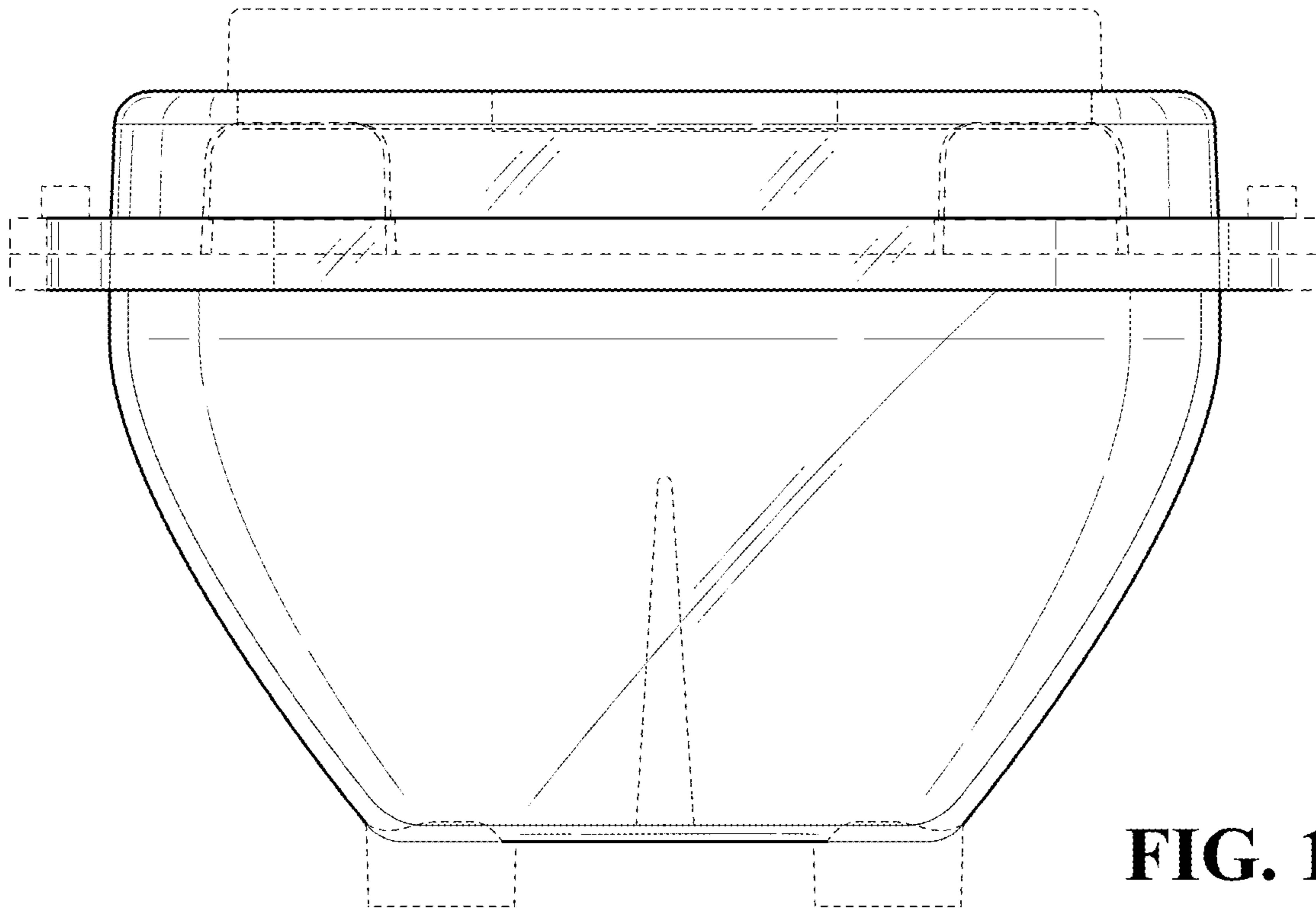
FIG. 11



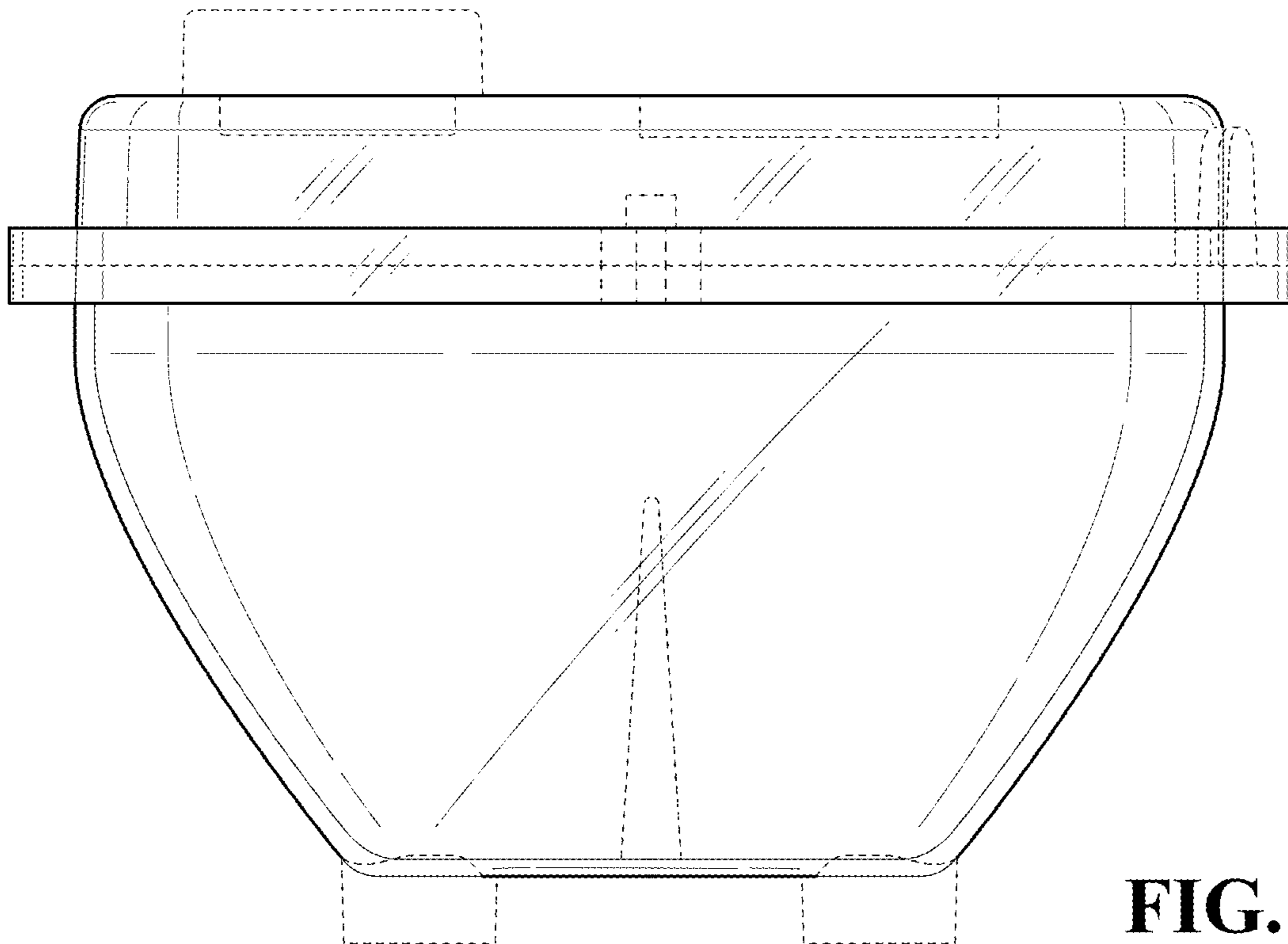
**FIG. 12**



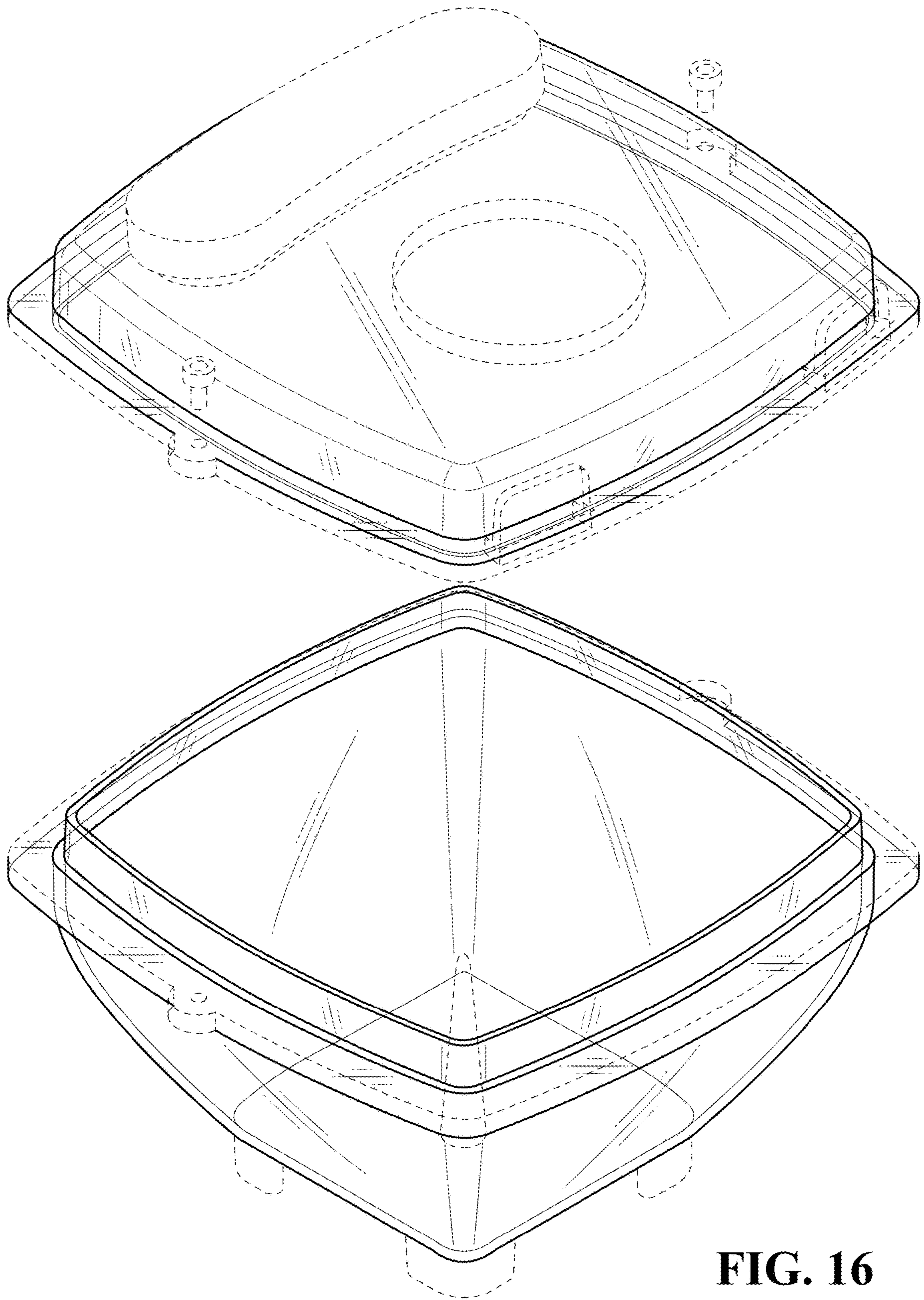
**FIG. 13**



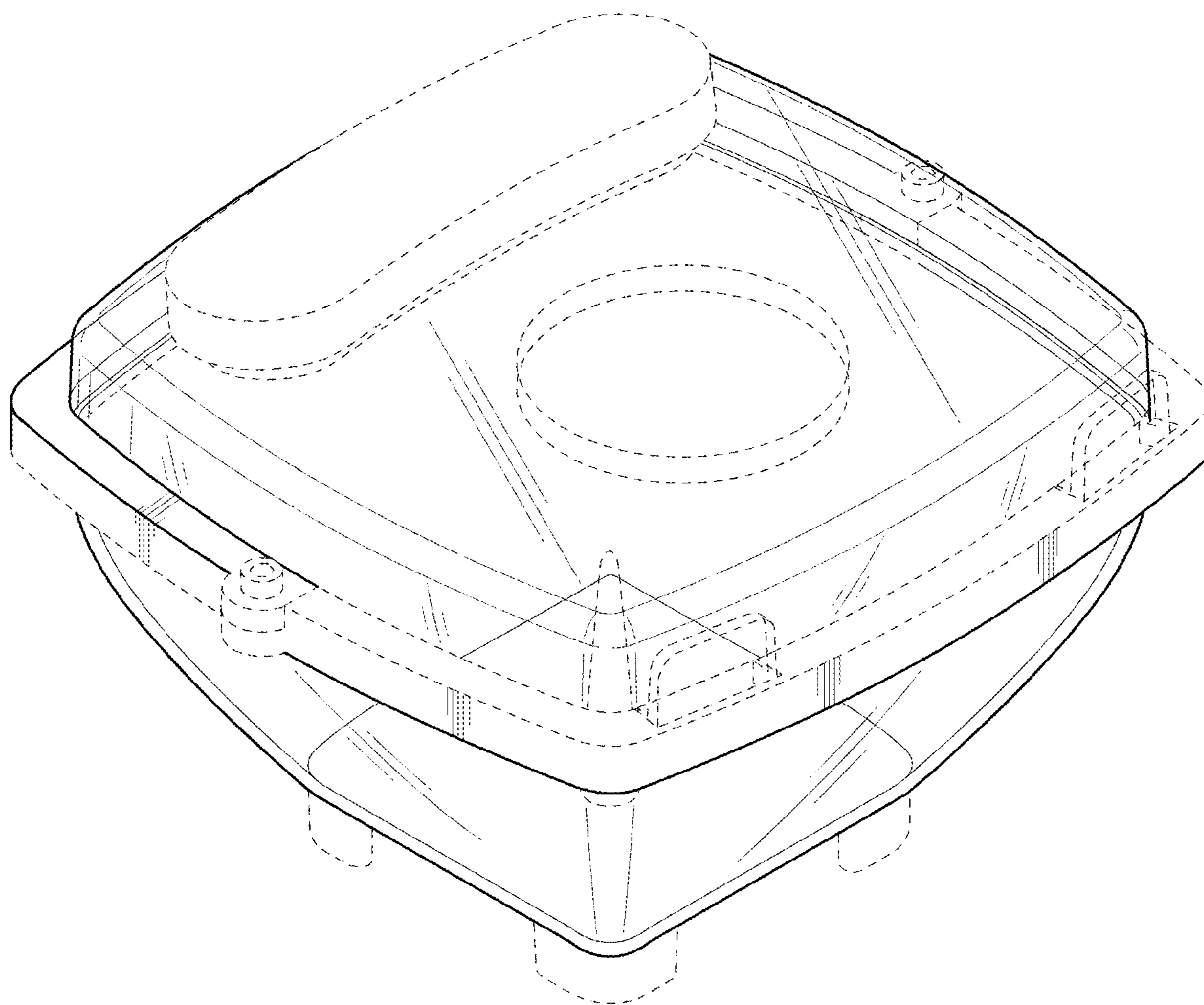
**FIG. 14**



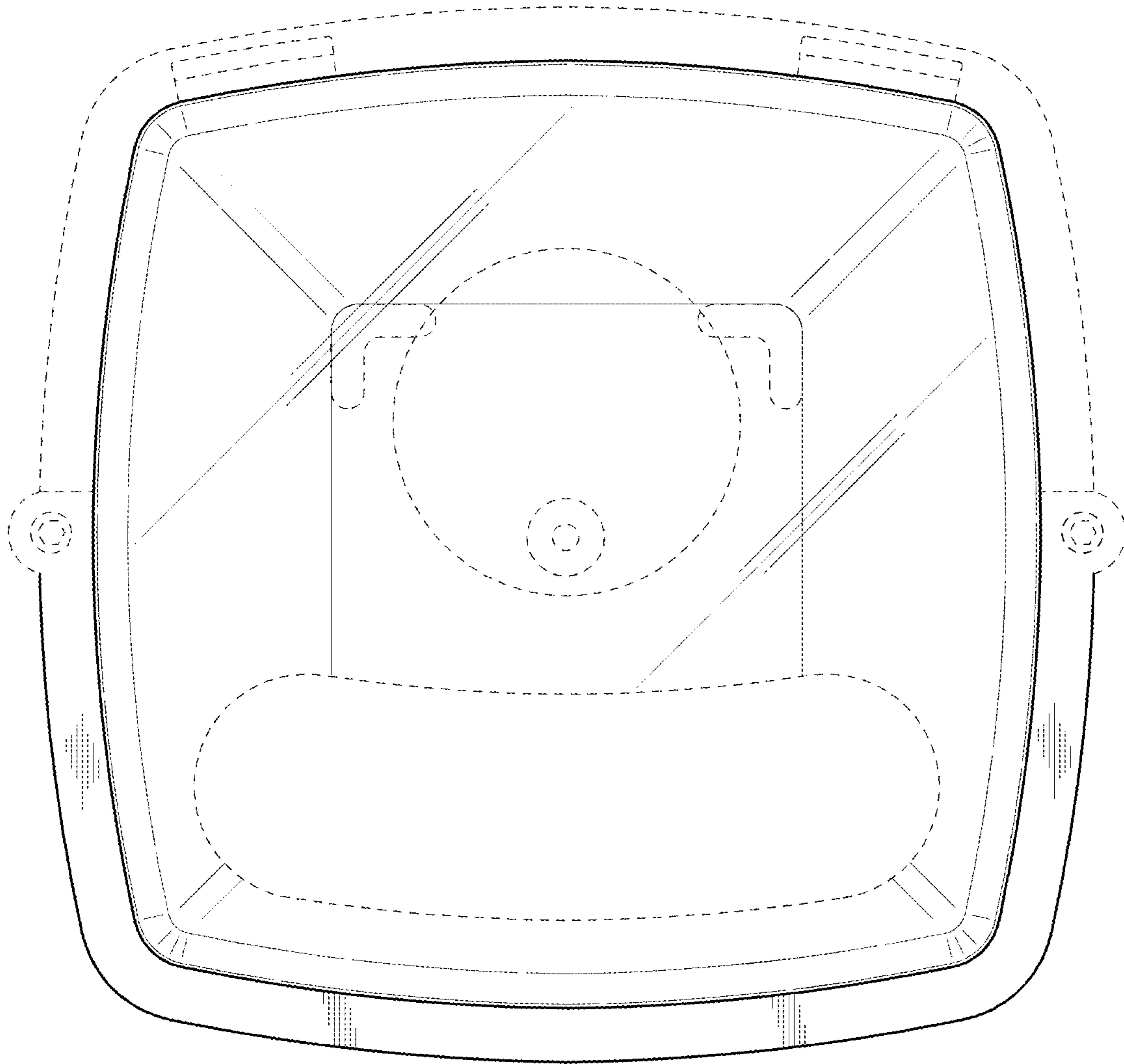
**FIG. 15**



**FIG. 16**



**FIG. 17**



**FIG. 18**



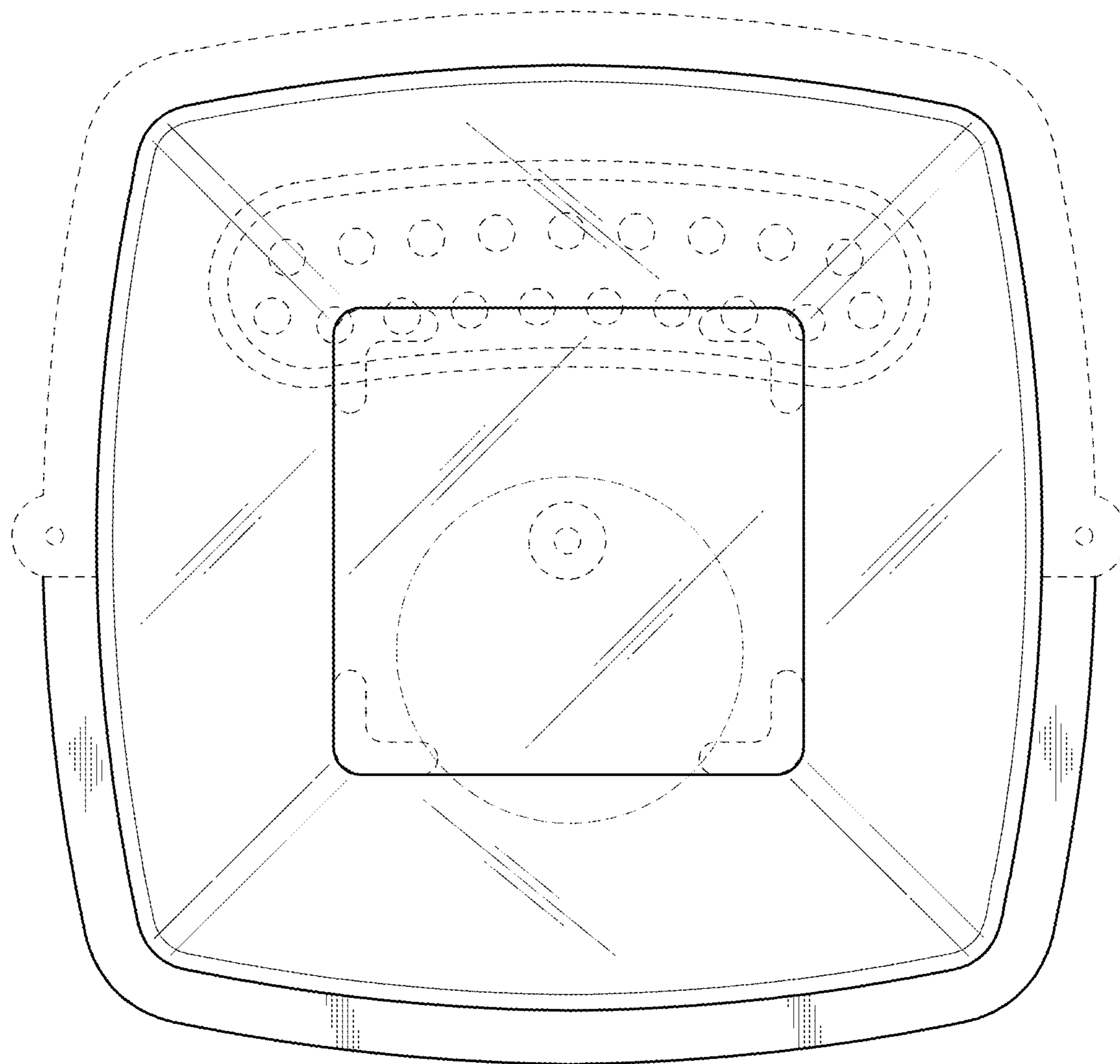
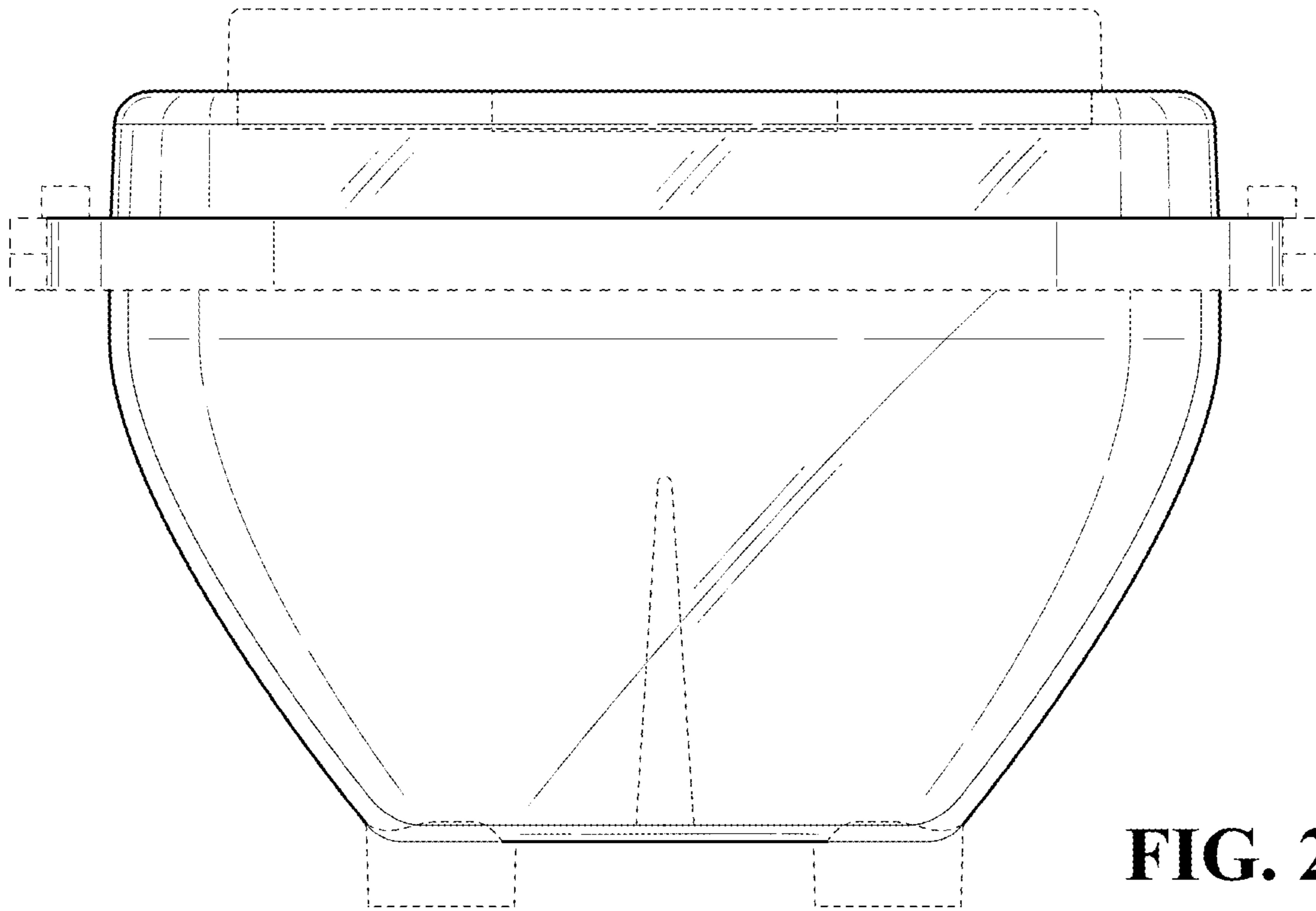
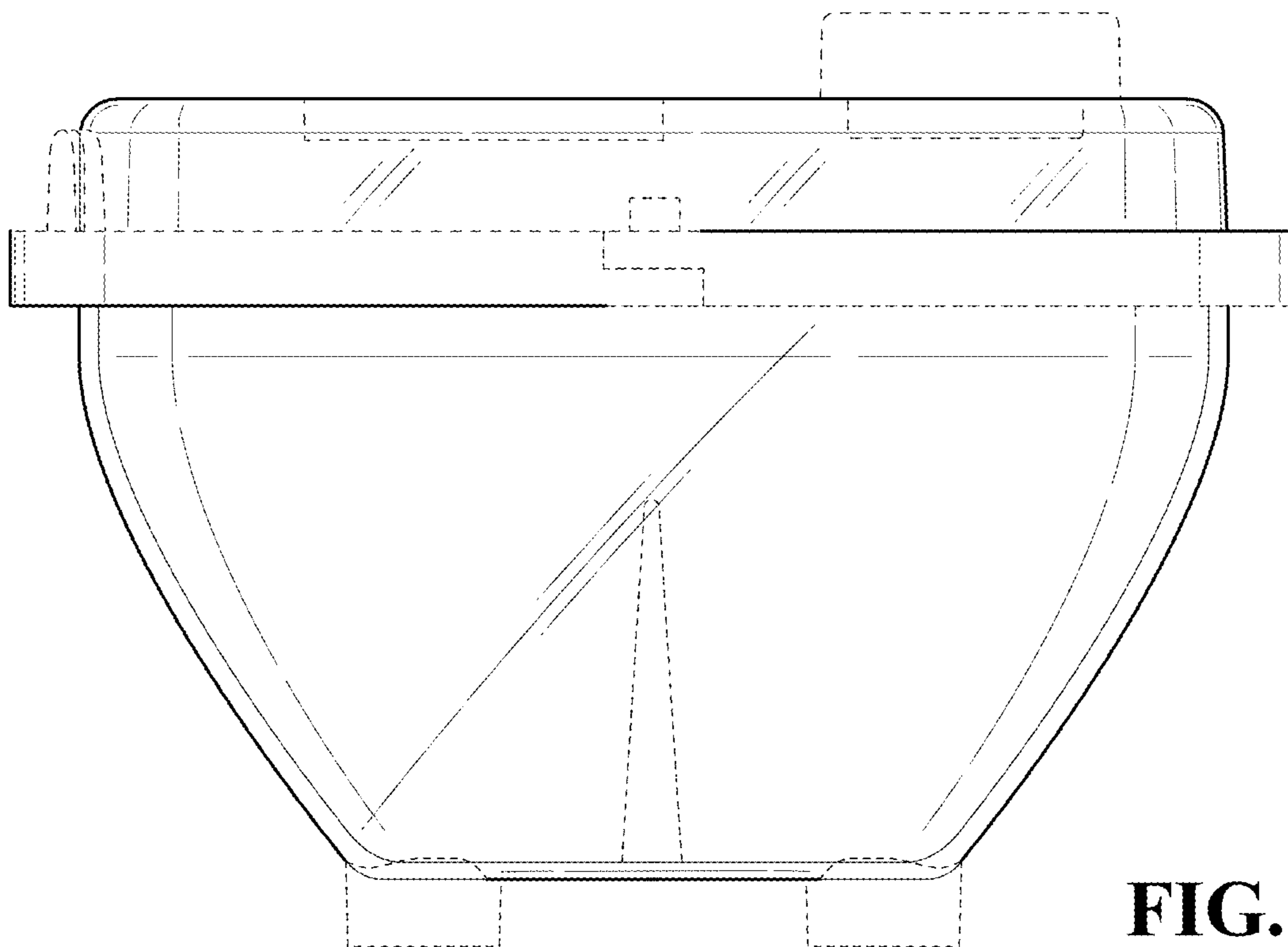


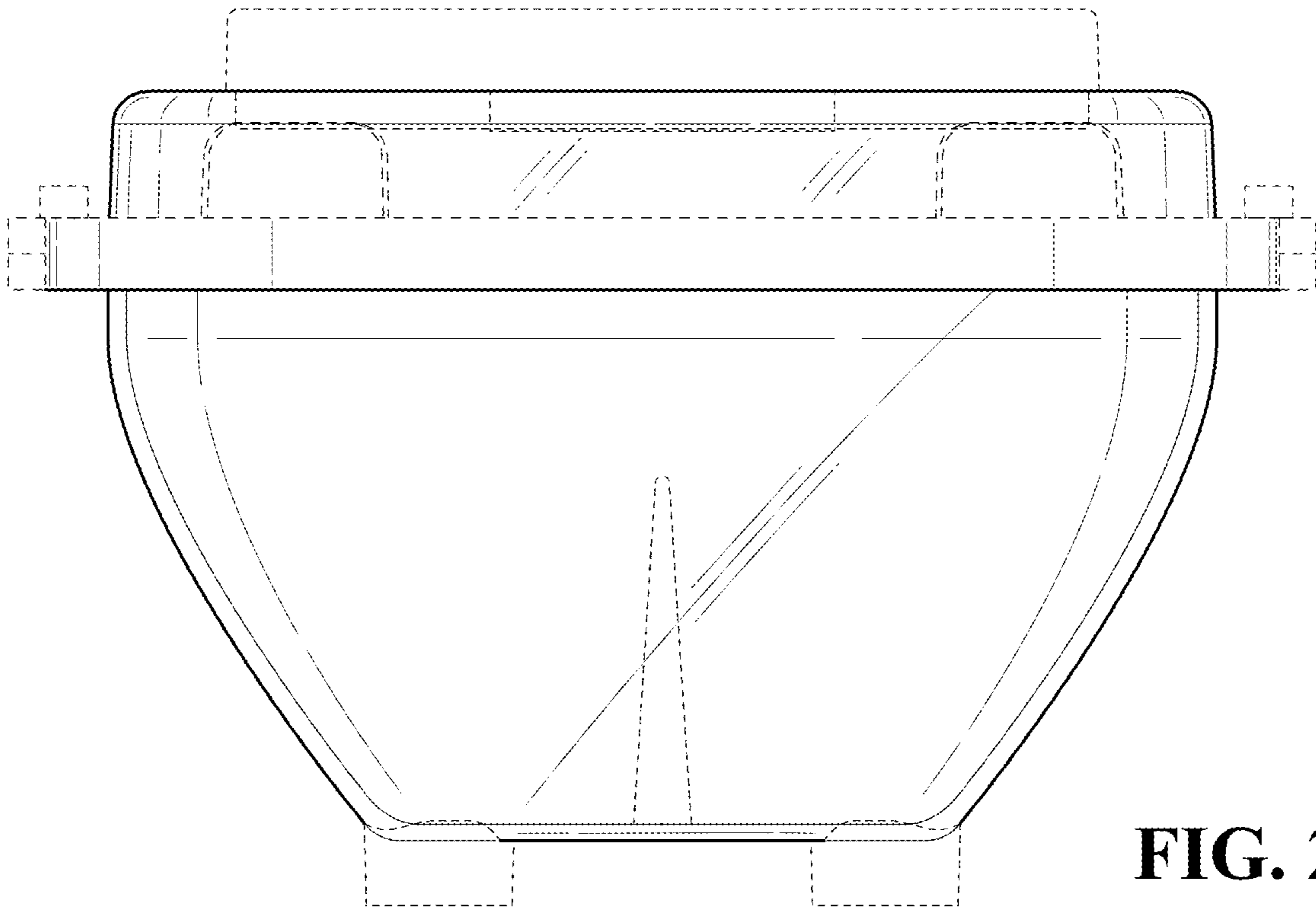
FIG. 19



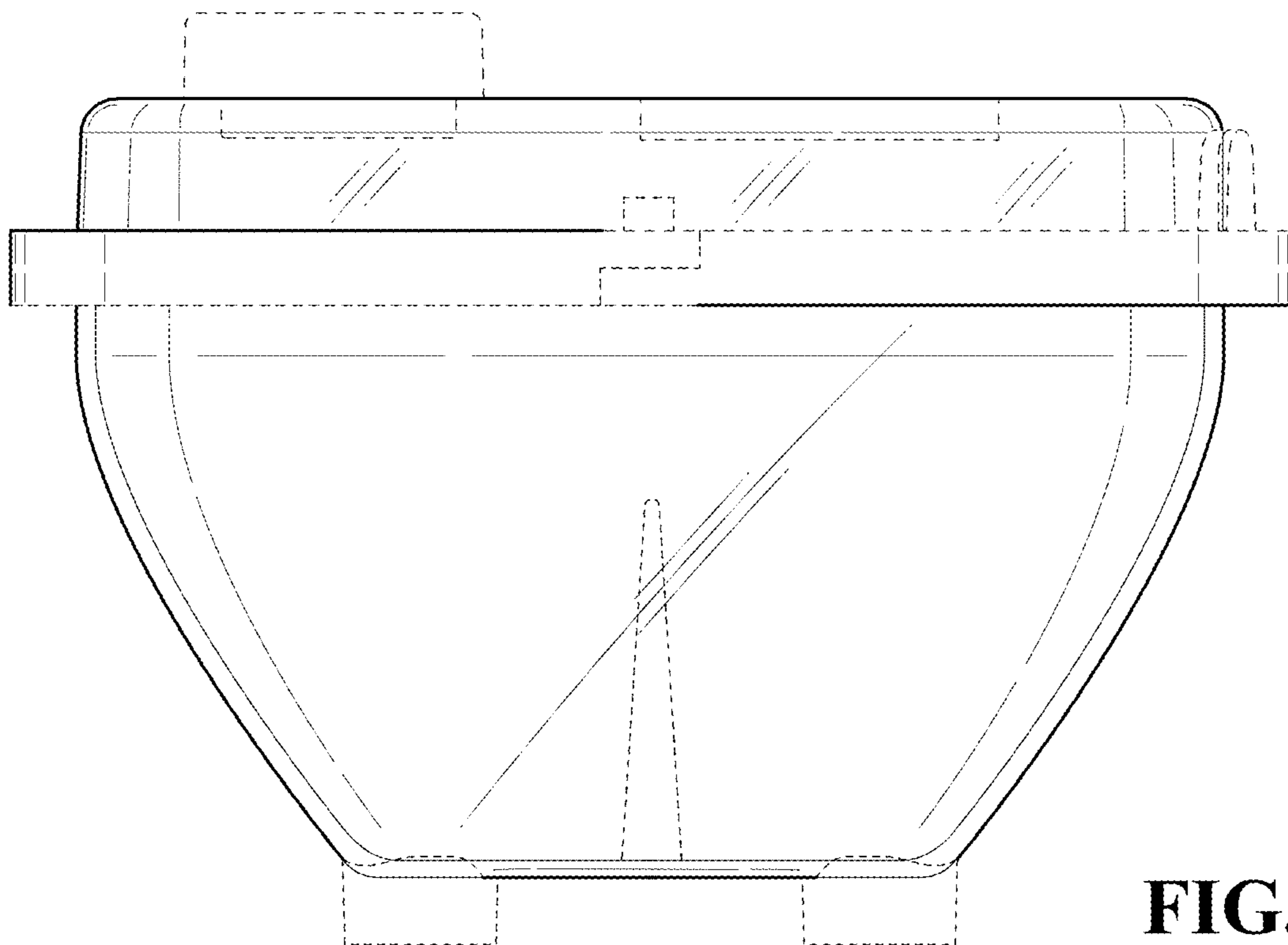
**FIG. 20**



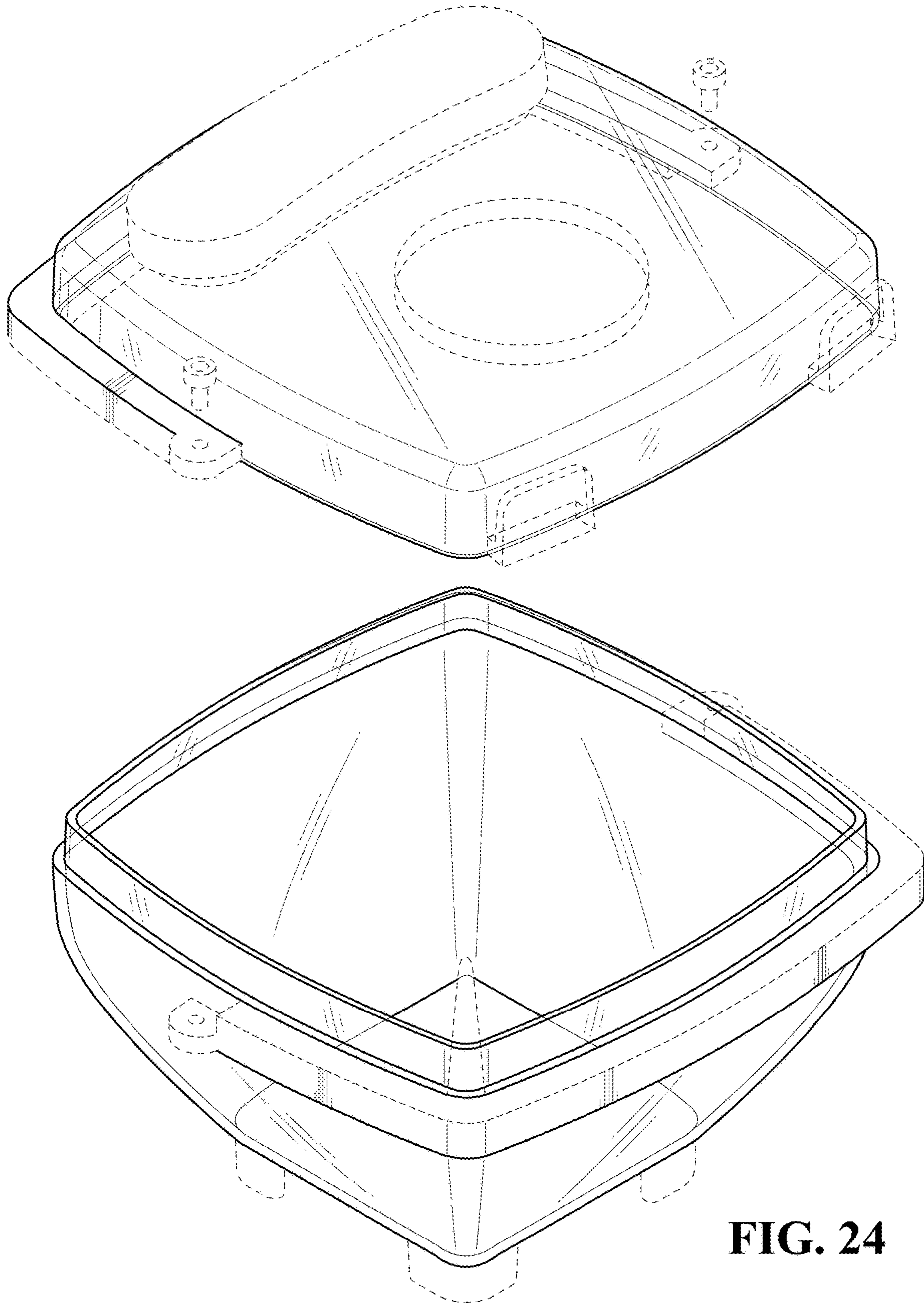
**FIG. 21**



**FIG. 22**



**FIG. 23**



**FIG. 24**