

US00D899919S

(12) **United States Design Patent**  
**DeBoer et al.**

(10) **Patent No.:** **US D899,919 S**

(45) **Date of Patent:** **\*\* Oct. 27, 2020**

- (54) **FENESTRATION LATCH**
- (71) Applicant: **Marvin Lumber and Cedar Company, LLC**, Eagan, MN (US)
- (72) Inventors: **Nathan H. DeBoer**, Salol, MN (US);  
**Jacob Richard Lundquist**, Roseau, MN (US)
- (73) Assignee: **Marvin Lumber and Cedar Company, LLC**, Eagan, MN (US)
- (\*\*) Term: **15 Years**
- (21) Appl. No.: **29/647,406**
- (22) Filed: **May 11, 2018**
- (51) **LOC (12) Cl.** ..... **08-09**
- (52) **U.S. Cl.**  
USPC ..... **D8/400**
- (58) **Field of Classification Search**  
USPC ..... D8/354, 355, 373, 377, 380, 381, 400,  
D8/402, 499  
CPC ..... E05C 17/34; E05C 17/04; E05C 17/32;  
E05F 5/06; E05F 11/16; E05D 15/46  
See application file for complete search history.

D409,079	S	*	5/1999	Sobczynski	.....	D8/354
D544,338	S	*	6/2007	Christensen	.....	D8/356
D821,554	S	*	6/2018	Wilson	.....	D23/323
D859,387	S	*	9/2019	Chung	.....	D14/250
2019/0178008	A1		6/2019	Deboer et al.		

**OTHER PUBLICATIONS**

“Majesta Double Hung”, Kolbe Windows & Doors © 2010 Kolbe & Kolbe Millwork Co., Inc., 8 pgs.  
“Canadian Application Serial No. 184,529, Office Action dated Sep. 7, 2019”, 2 pgs.  
“Canadian Application Serial No. 184,529, Response filed Dec. 6, 2019 to Office Action dated Sep. 7, 2019”, 13 pgs.

\* cited by examiner

*Primary Examiner* — John Windmuller

(74) *Attorney, Agent, or Firm* — Schwegman Lundberg & Woessner, P.A.

(57) **CLAIM**

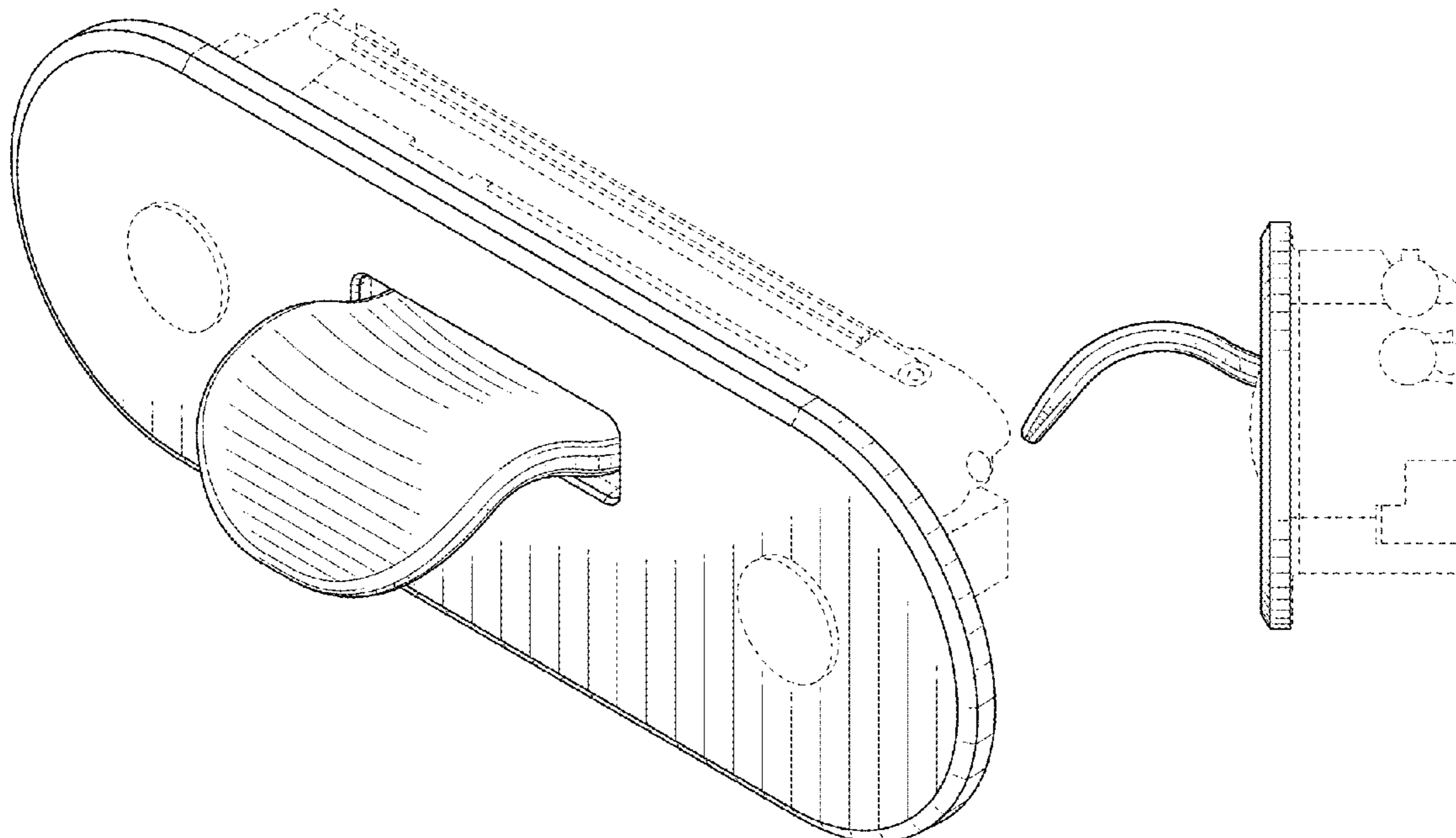
The ornamental design for a fenestration latch, as shown and described.

**DESCRIPTION**

FIG. 1 is a first perspective view of a fenestration latch, showing the new design.  
FIG. 2 is a second perspective view of the fenestration latch of FIG. 1.  
FIG. 3 is a front view of the fenestration latch of FIG. 1.  
FIG. 4 is a back view of the fenestration latch of FIG. 1.  
FIG. 5 is a first side view of the fenestration latch of FIG. 1.  
FIG. 6 is a second side view of the fenestration latch of FIG. 1.  
FIG. 7 is a top view of the fenestration latch of FIG. 1; and, FIG. 8 is a bottom view of the fenestration latch of FIG. 1.  
The broken lines in the drawings depict portions of the fenestration latch that form no part of the claimed design.

**1 Claim, 3 Drawing Sheets**

- (56) **References Cited**  
U.S. PATENT DOCUMENTS
- |          |   |   |         |            |       |         |
|----------|---|---|---------|------------|-------|---------|
| D29,233  | S | * | 8/1898  | Jonsson    | ..... | D8/360  |
| D31,088  | S | * | 6/1899  | Gardner    | ..... | D8/400  |
| D82,240  | S | * | 10/1930 | Ackerman   | ..... | D8/400  |
| D179,029 | S | * | 10/1956 | Nielsen    | ..... | D8/400  |
| D247,844 | S | * | 5/1978  | Palm, Jr.  | ..... | D8/352  |
| D288,290 | S | * | 2/1987  | Angle      | ..... | D8/350  |
| D296,761 | S | * | 7/1988  | Mockett    | ..... | 379/438 |
| D305,727 | S | * | 1/1990  | Cunningham | ..... | D8/400  |
| D358,980 | S | * | 6/1995  | Mockett    | ..... | D8/356  |



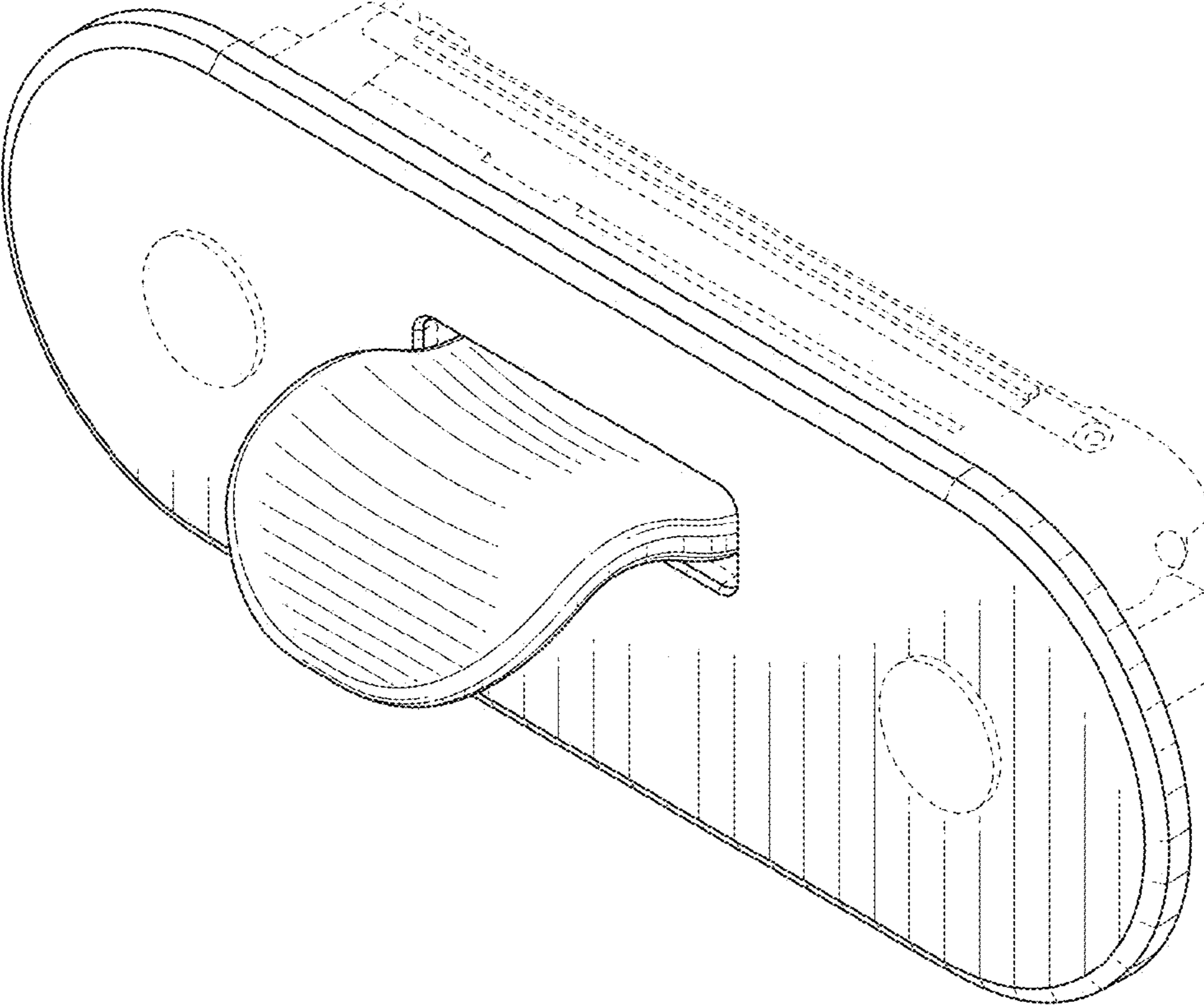


FIG. 1

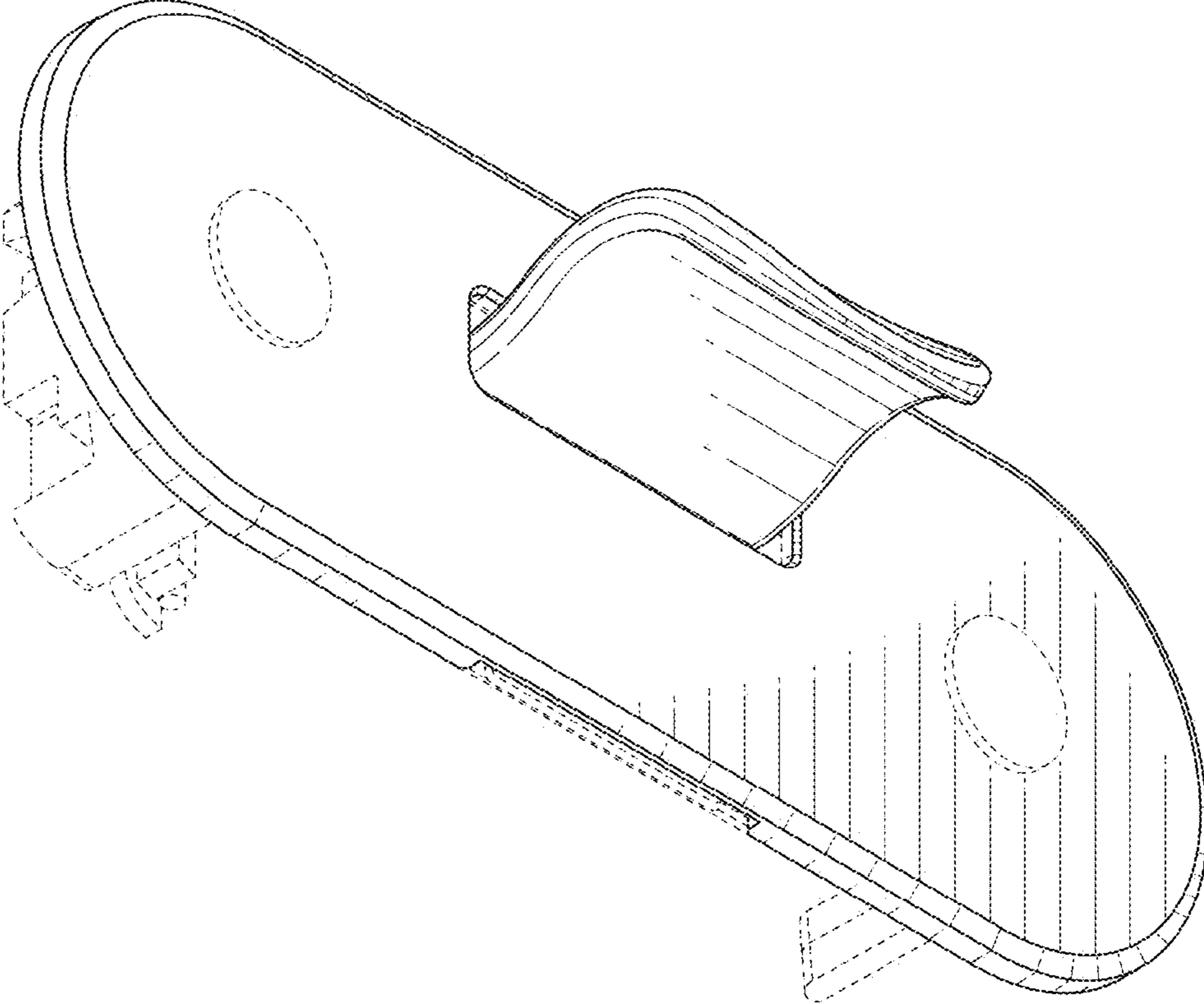


FIG. 2

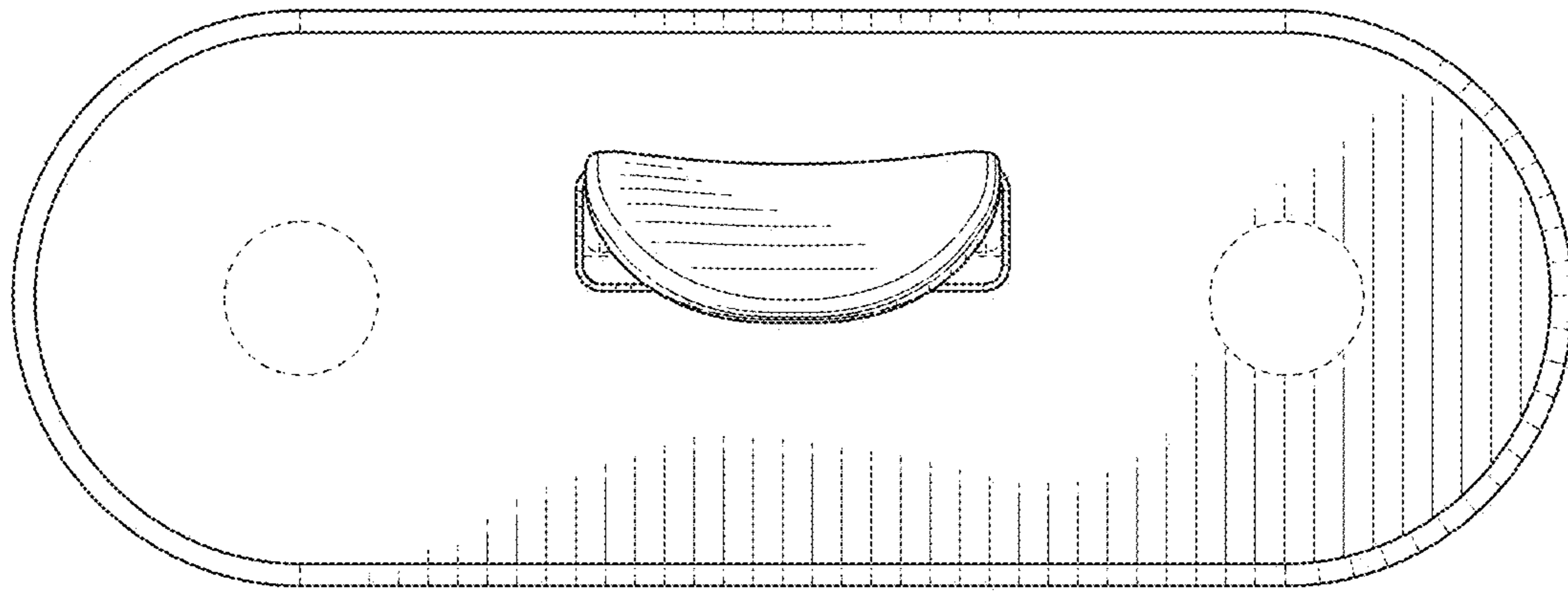


FIG. 3

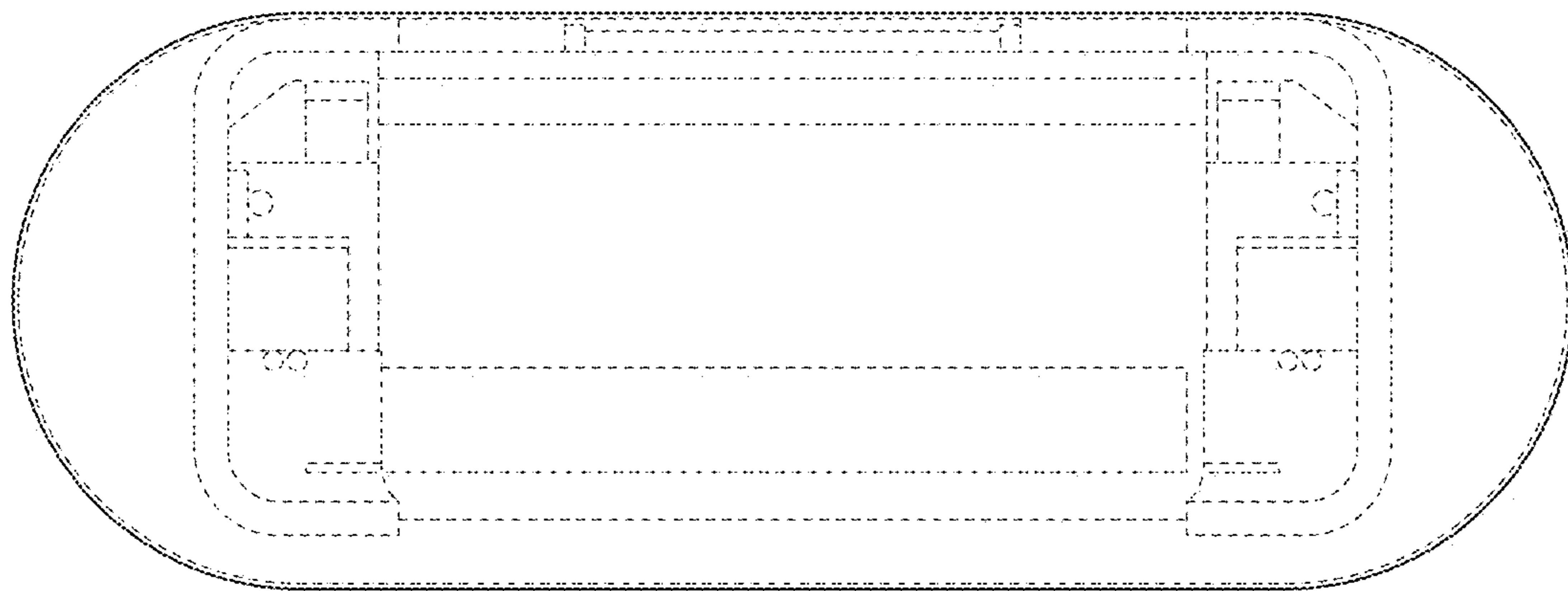


FIG. 4

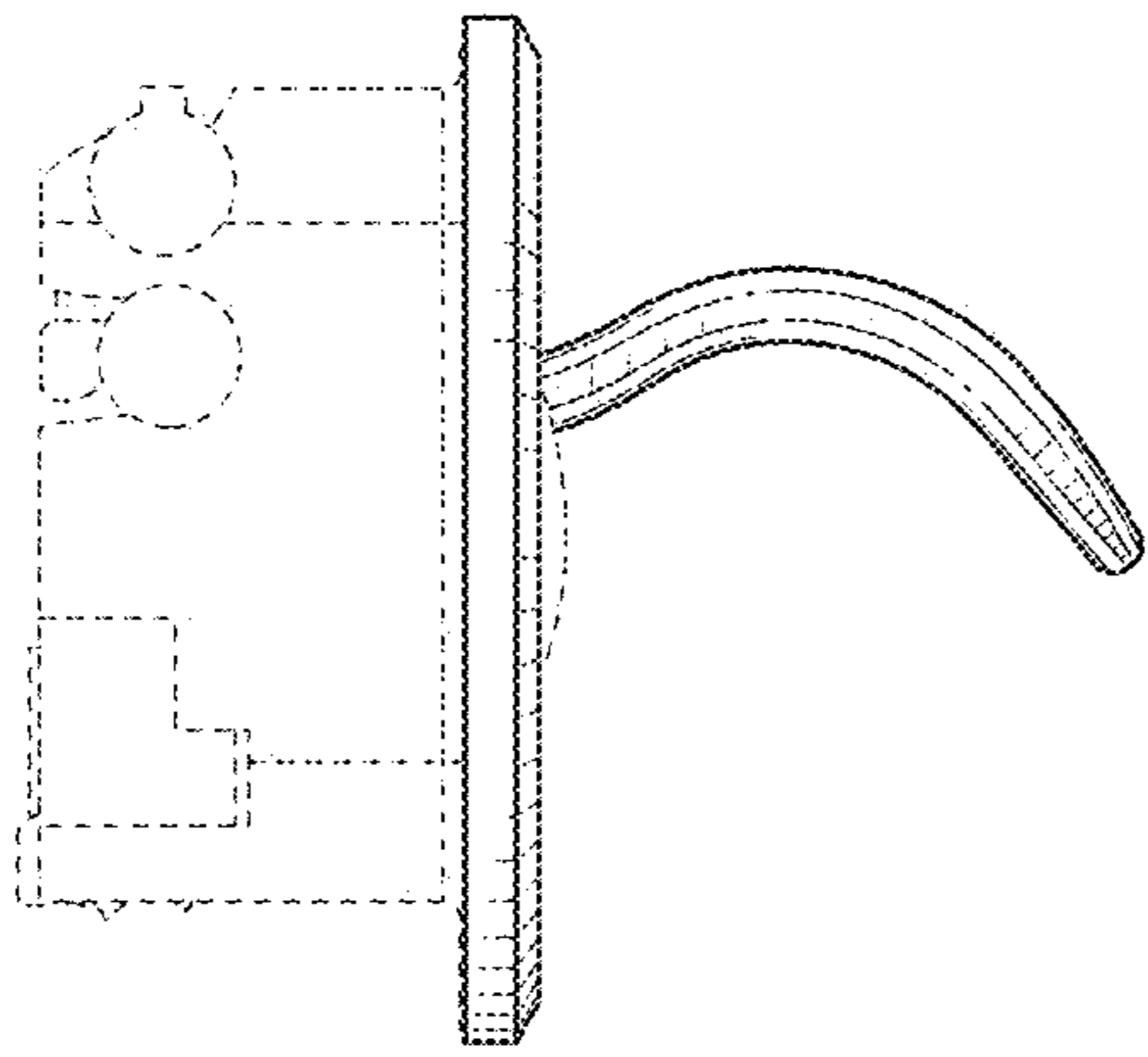


FIG. 5

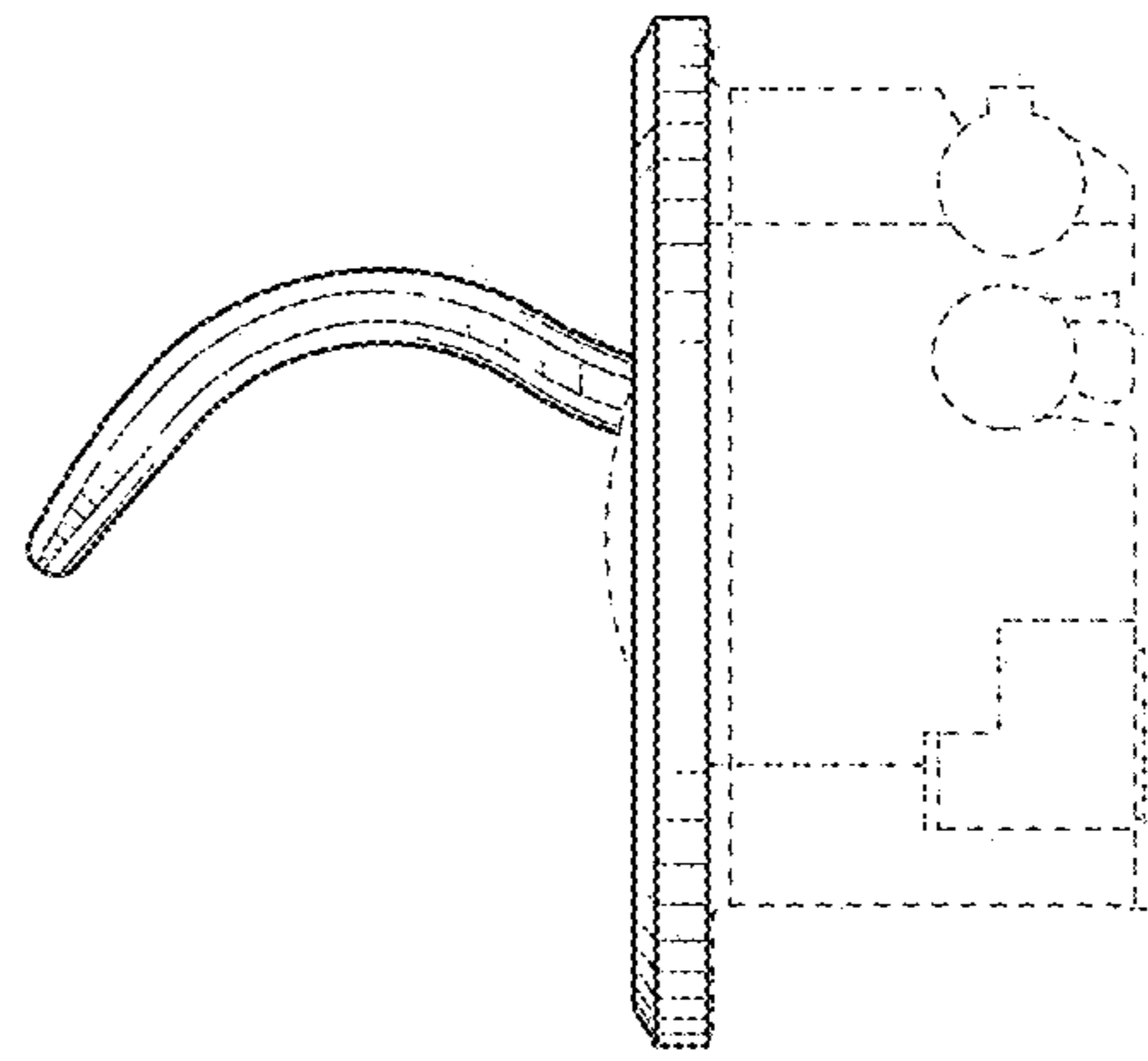


FIG. 6

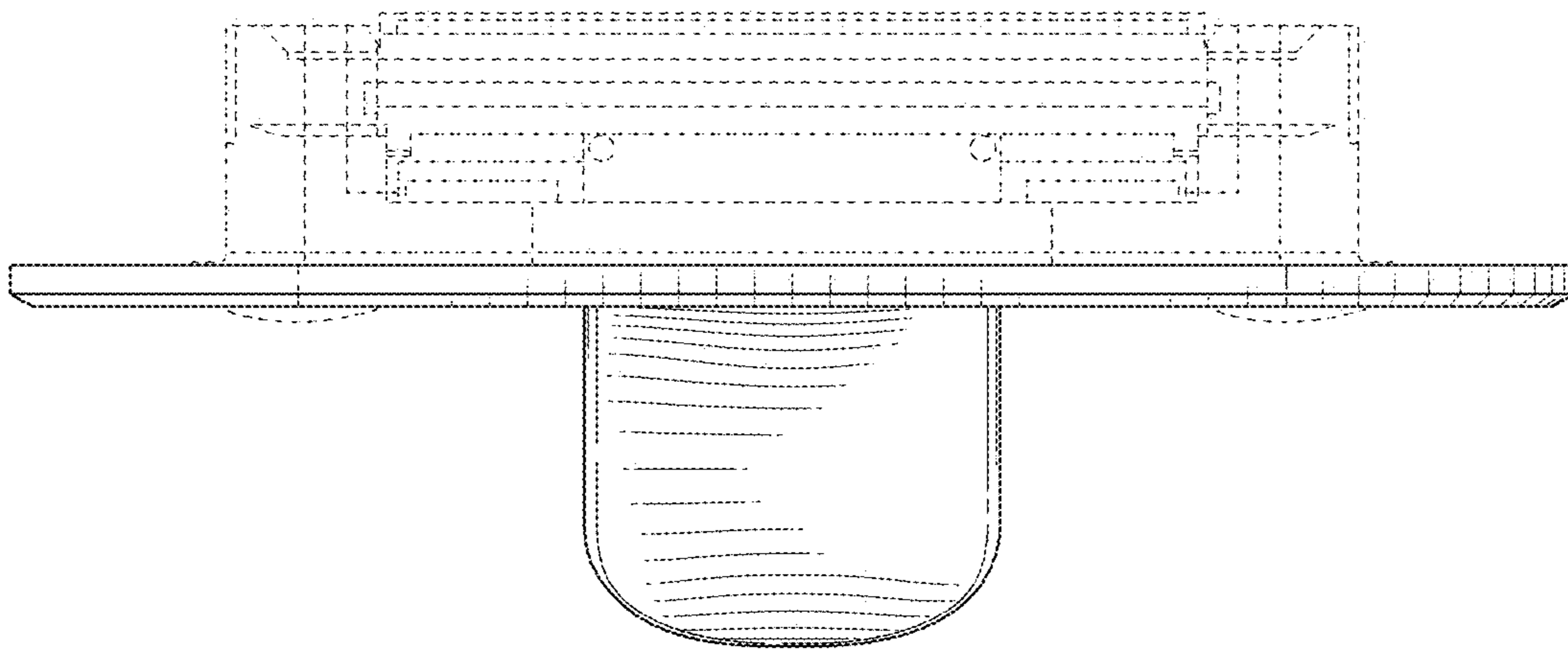


FIG. 7

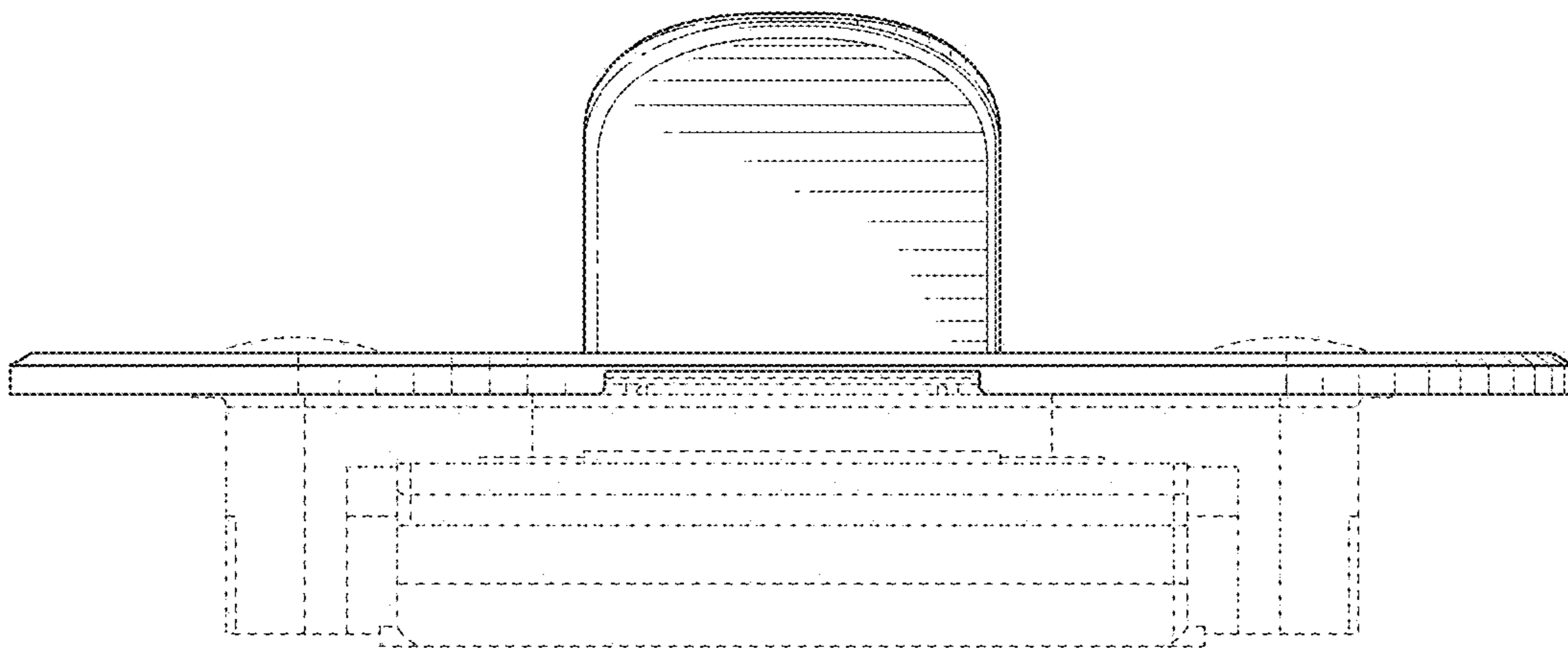


FIG. 8