



US00D899916S

(12) **United States Design Patent** (10) **Patent No.:** **US D899,916 S**
Buczynski et al. (45) **Date of Patent:** **** Oct. 27, 2020**

(54) **COMPENSATION NUT ASSEMBLY**

(71) Applicant: **ILLINOIS TOOL WORKS INC.**,
Glenview, IL (US)

(72) Inventors: **Gregory George Buczynski**, Ferndale,
MI (US); **Justin Beatley**, Troy, MI
(US)

(73) Assignee: **Illinois Tool Works Inc.**, Glenview, IL
(US)

(**) Term: **15 Years**

(21) Appl. No.: **29/701,963**

(22) Filed: **Aug. 15, 2019**

(51) **LOC (12) Cl.** **08-08**

(52) **U.S. Cl.**
USPC **D8/397**

(58) **Field of Classification Search**
USPC D8/397, 394, 382, 349, 399, 387, 70, 29,
D8/83, 86; 411/376.2, 84, 446, 399, 490,
411/455
CPC F16B 37/068; F16B 33/002; F16B 41/002;
F16B 5/0208; F01N 13/009
See application file for complete search history.

(56) **References Cited**

U.S. PATENT DOCUMENTS

D592,493 S *	5/2009	Wu	D8/397
D600,546 S *	9/2009	Scilingo	D8/397
D681,462 S *	5/2013	Taylor	D9/453
D704,052 S *	5/2014	Yoshii	D9/435
D717,621 S *	11/2014	Miyazaki	D8/30

D775,941 S *	1/2017	May	D8/397
D779,837 S *	2/2017	Lin	D6/312
D830,122 S *	10/2018	Seiders	D7/398
D859,135 S *	9/2019	Pista	D8/387
D859,973 S *	9/2019	Foerster, Jr.	D8/397
2005/0236425 A1 *	10/2005	Casale	B65D 5/748 222/83.5

* cited by examiner

Primary Examiner — Cynthia R Underwood

(74) *Attorney, Agent, or Firm* — Quarles & Brady LLP

(57) **CLAIM**

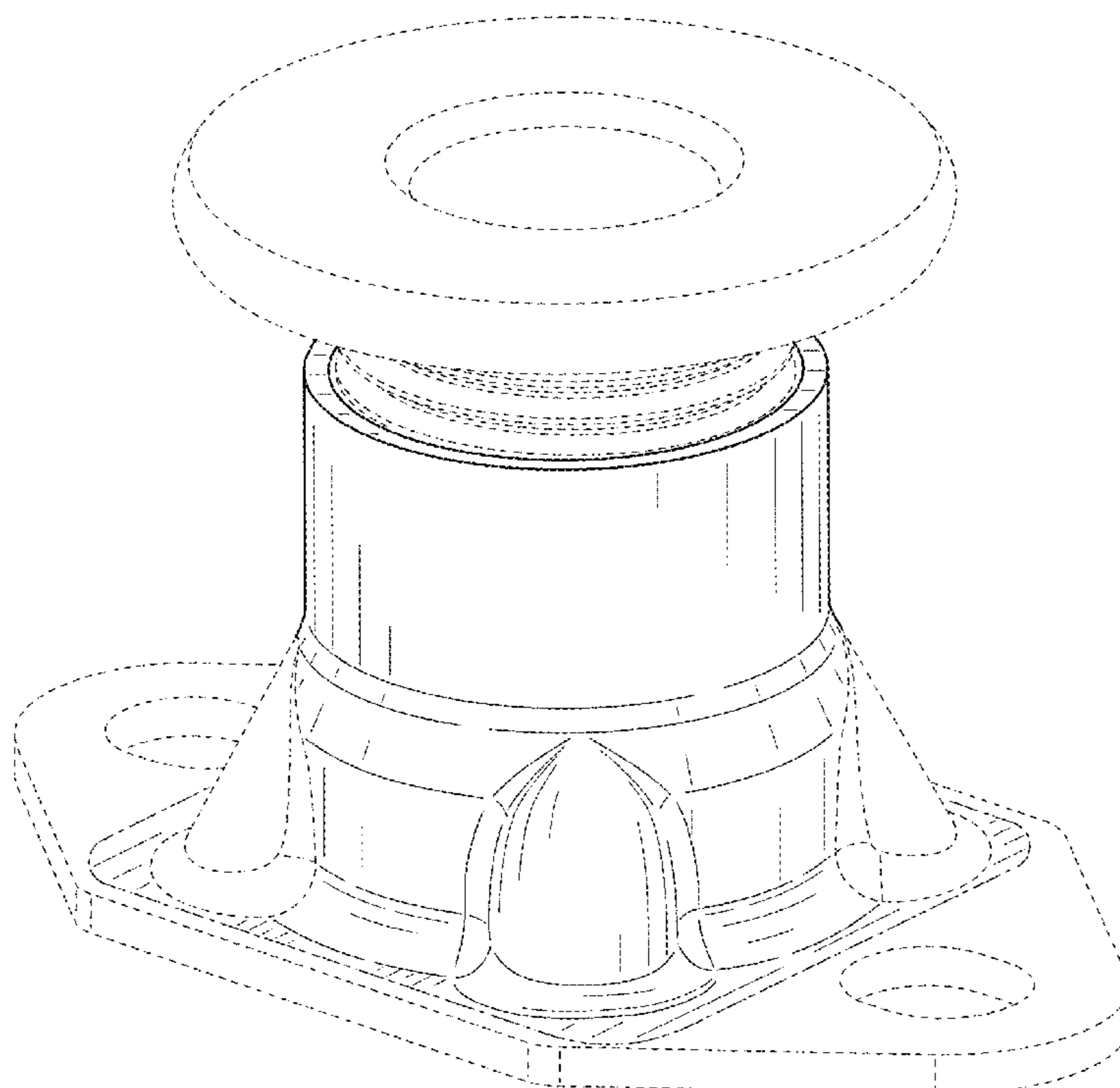
The ornamental design for a compensation nut assembly, as shown and described.

DESCRIPTION

FIG. 1 is an isometric view of a front, top, and left side of an ornamental design for a compensation nut assembly; FIG. 2 is a front elevational view of the compression nut assembly of FIG. 1; FIG. 3 is a rear elevational view of the compensation nut assembly of FIG. 1; FIG. 4 is a left side elevational view of the compensation nut assembly of FIG. 1; FIG. 5 is a right side elevational view of the compensation nut assembly of FIG. 1; and, FIG. 6 is a top plan view of the compensation nut assembly of FIG. 1.

The broken lines represent portions of the structure that forms no part of the claim. The dash-dot-dash lines define a boundary of the claim.

1 Claim, 4 Drawing Sheets



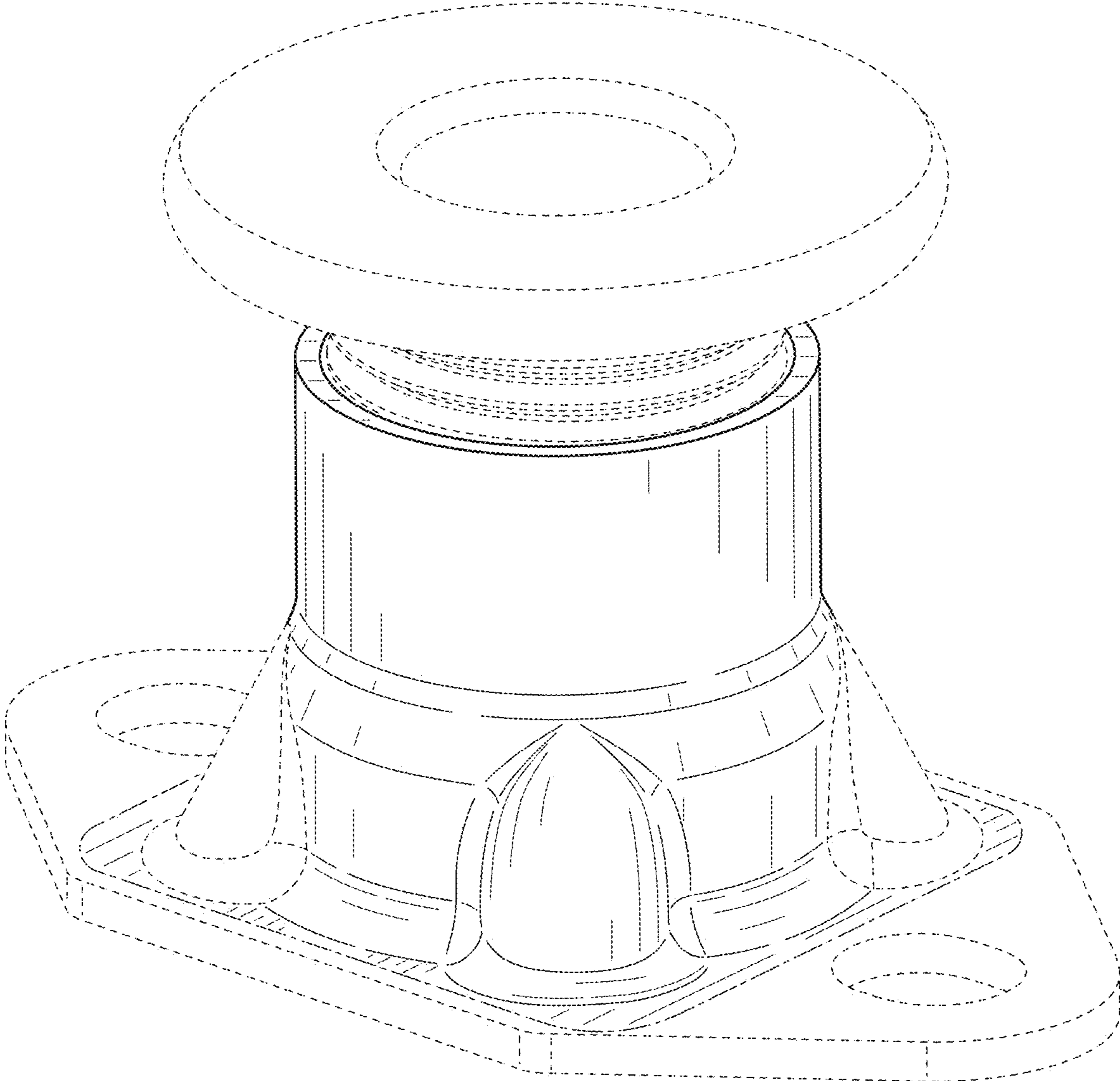


FIG. 1

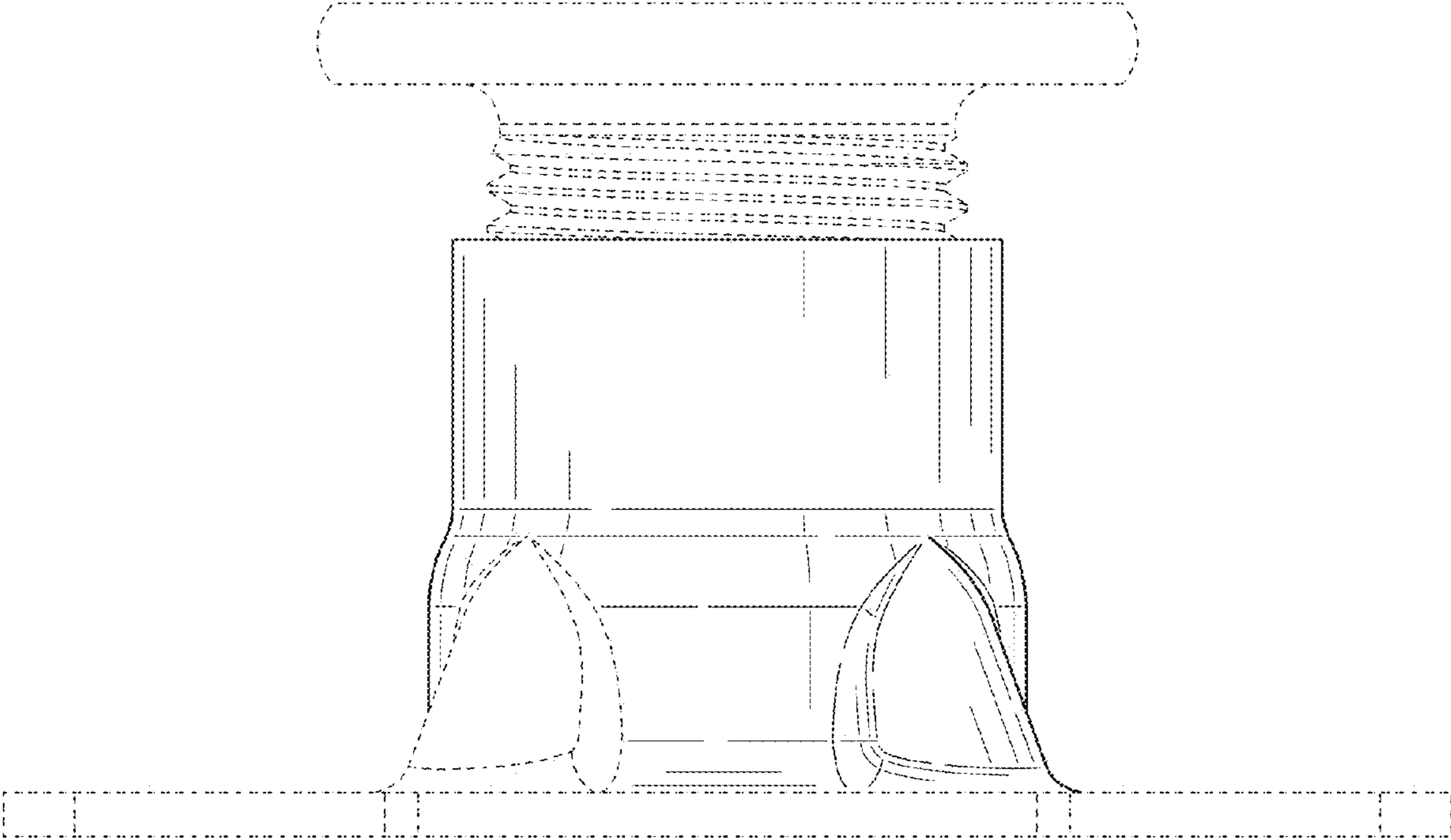


FIG. 2

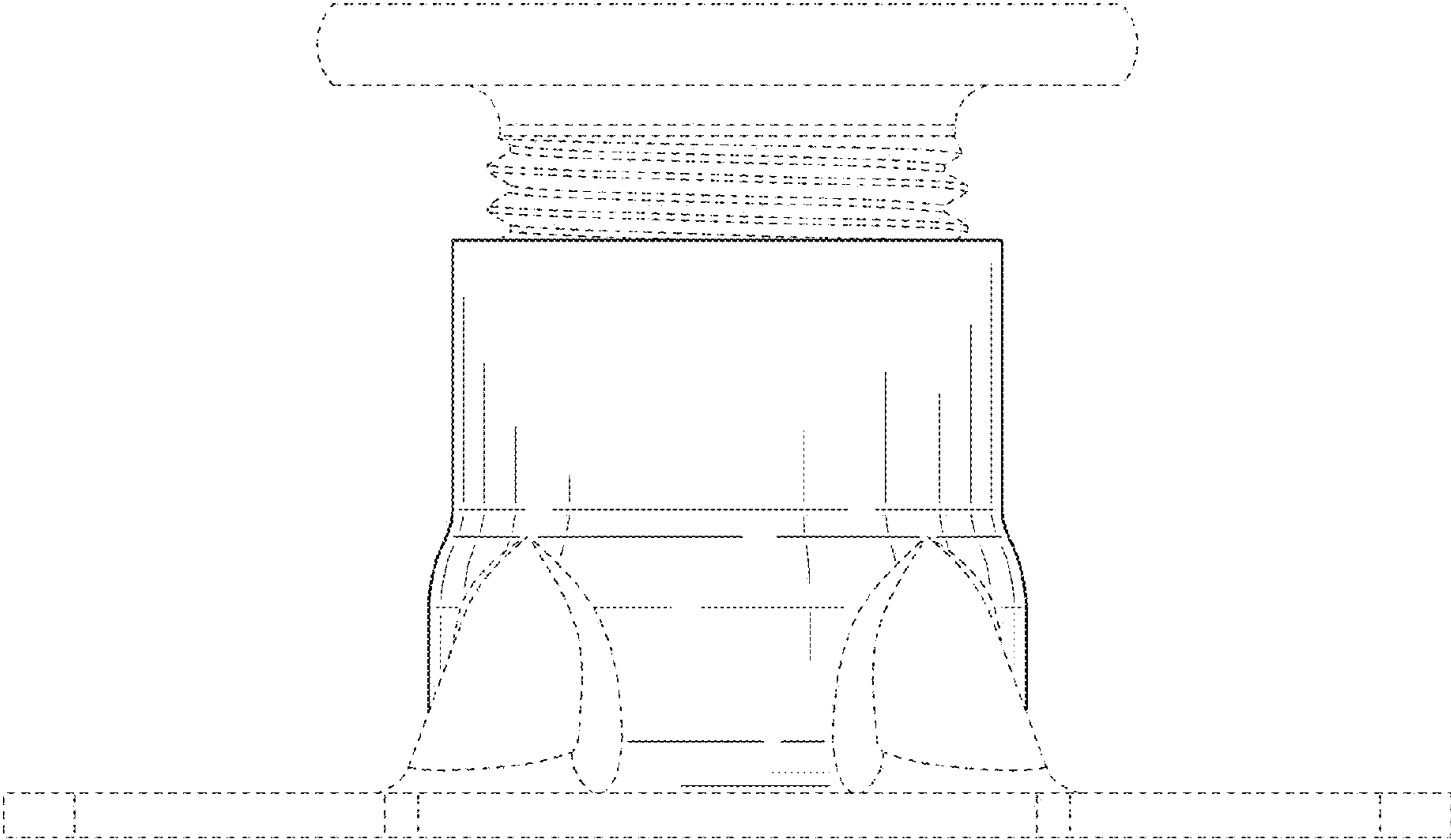


FIG. 3

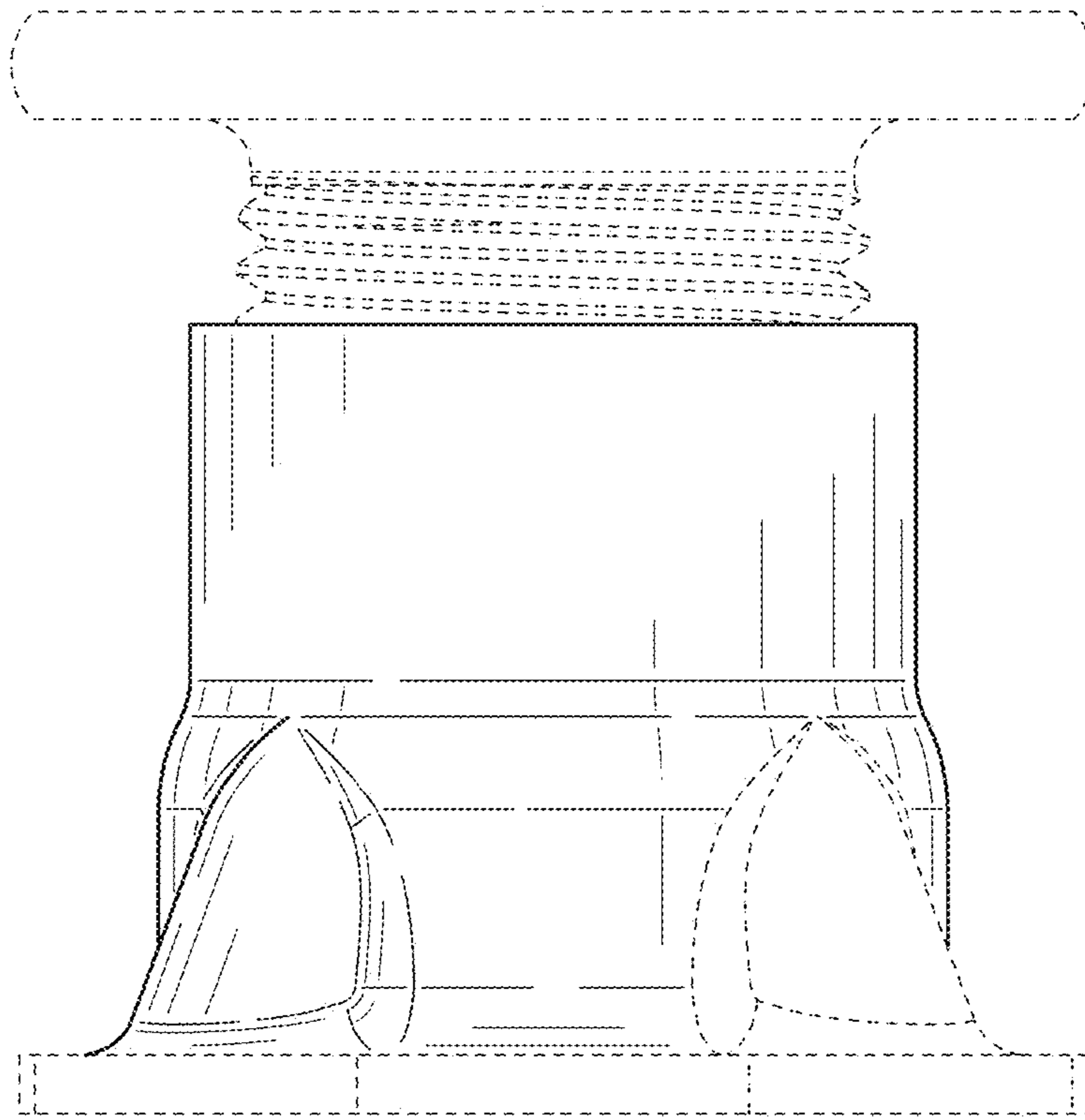


FIG. 4

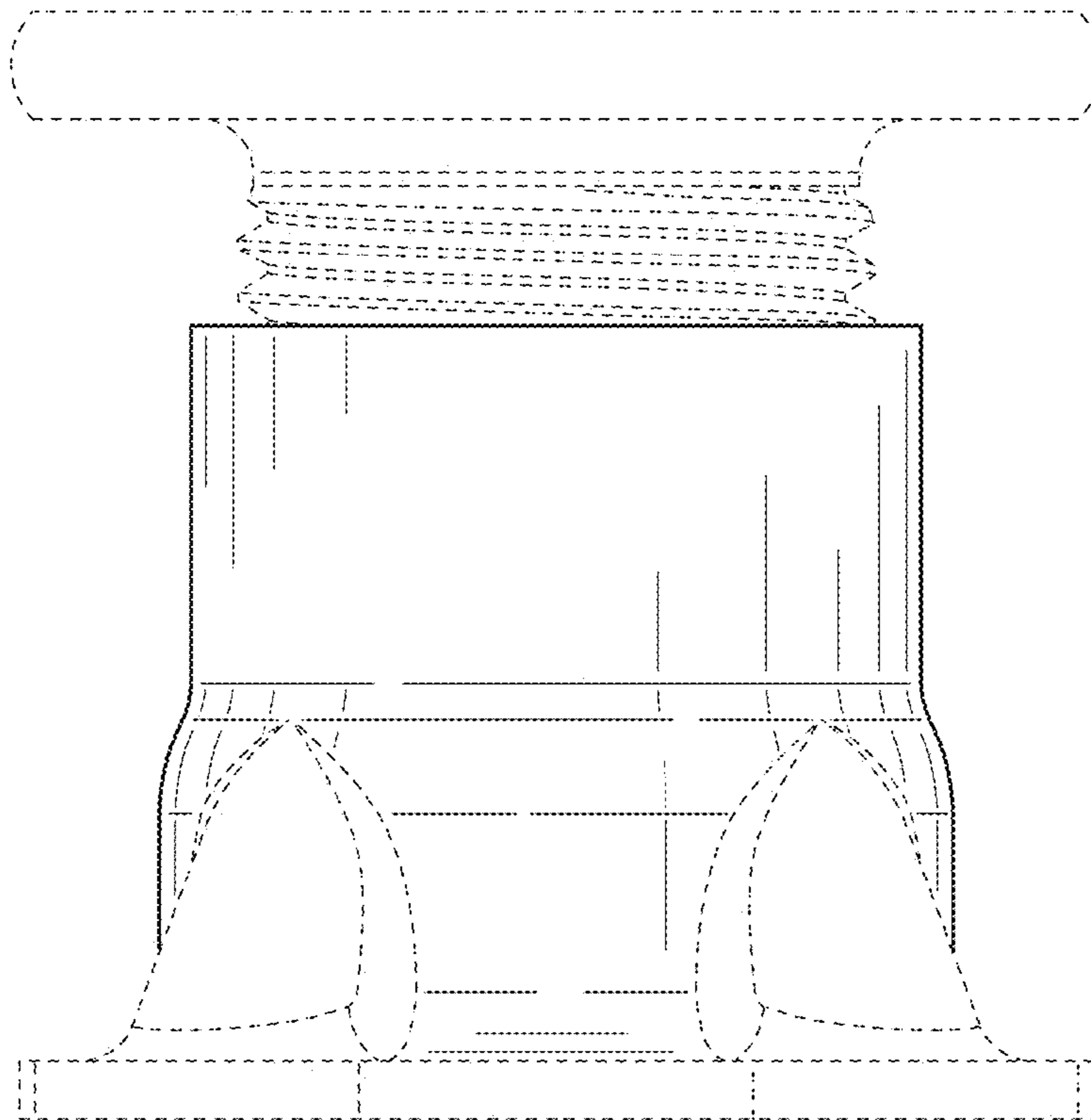


FIG. 5

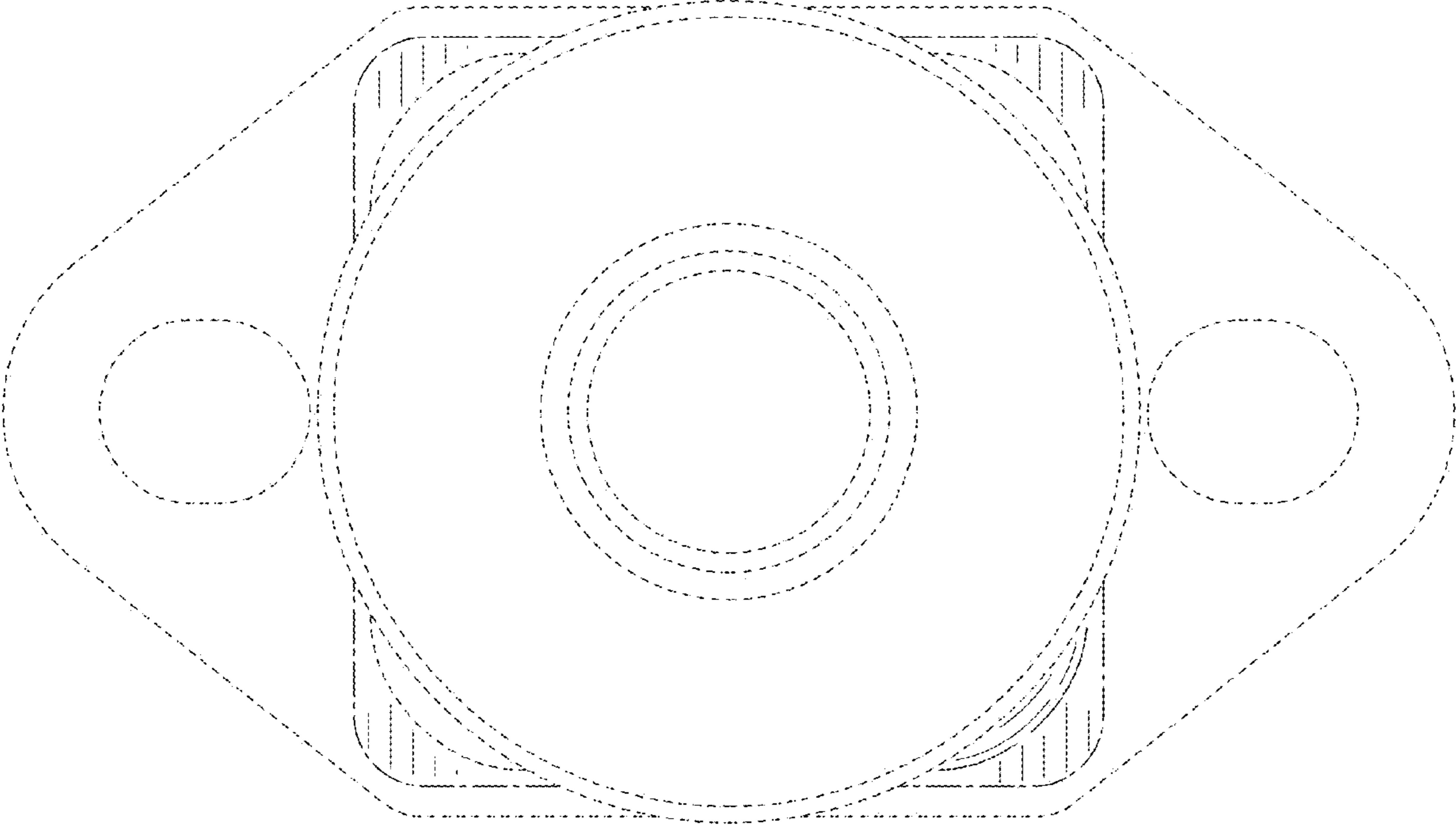


FIG. 6