



US00D899915S

(12) **United States Design Patent** (10) **Patent No.:** **US D899,915 S**
Chen et al. (45) **Date of Patent:** **** Oct. 27, 2020**

(54) **TOOL HEAD**
(71) Applicant: **YUAN LI HSING INDUSTRIAL CO., LTD., Taichung (TW)**
(72) Inventors: **Chia-Yi Chen, Taichung (TW); Hui-Chien Chen, Taichung (TW)**
(73) Assignee: **YUAN LI HSING INDUSTRIAL CO., LTD., Taichung (TW)**
(**) Term: **15 Years**
(21) Appl. No.: **29/696,952**
(22) Filed: **Jul. 2, 2019**
(51) **LOC (12) Cl.** **08-08**
(52) **U.S. Cl.**
USPC **D8/397; D8/370**
(58) **Field of Classification Search**
USPC **D8/397, 394, 382, 349, 399, 387, 70, 29, D8/83, 86; 411/376.2, 84, 446, 399, 490, 411/455**
CPC **F16B 37/068; F16B 33/002; F16B 41/002; F16B 5/0208; F01N 13/009**
See application file for complete search history.

(56) **References Cited**
U.S. PATENT DOCUMENTS
D314,814 S * 2/1991 Lubeck D23/262
7,010,998 B2 * 3/2006 Ying-Hao B25B 13/06
81/121.1
D628,868 S * 12/2010 Laurie D8/29
D636,240 S * 4/2011 Laurie D8/29
D637,051 S * 5/2011 Li D8/29
D660,111 S * 5/2012 Laurie D8/29
D709,343 S * 7/2014 Huang D8/70
D713,715 S * 9/2014 Kury D8/397
D749,388 S * 2/2016 Lee D8/29
D750,457 S * 3/2016 Li D8/29

D761,630 S * 7/2016 Li D8/29
D776,504 S * 1/2017 Lee D8/29
D819,422 S * 6/2018 Jiang D8/83
D825,322 S * 8/2018 Sears D8/397
D840,797 S * 2/2019 Bentley D8/397
D861,474 S * 10/2019 Kishida D8/397
D862,210 S * 10/2019 Orikawa D8/367
D880,284 S * 4/2020 Ferraro D8/397
D889,224 S * 7/2020 Kukucka D8/29
D889,257 S * 7/2020 Kukucka D8/397
D892,578 S * 8/2020 Kukucka D8/29
D892,609 S * 8/2020 Huang D8/397
2008/0028897 A1 * 2/2008 Hu B25B 13/065
81/121.1
2013/0047797 A1 * 2/2013 Lukes F16B 23/003
81/460

(Continued)

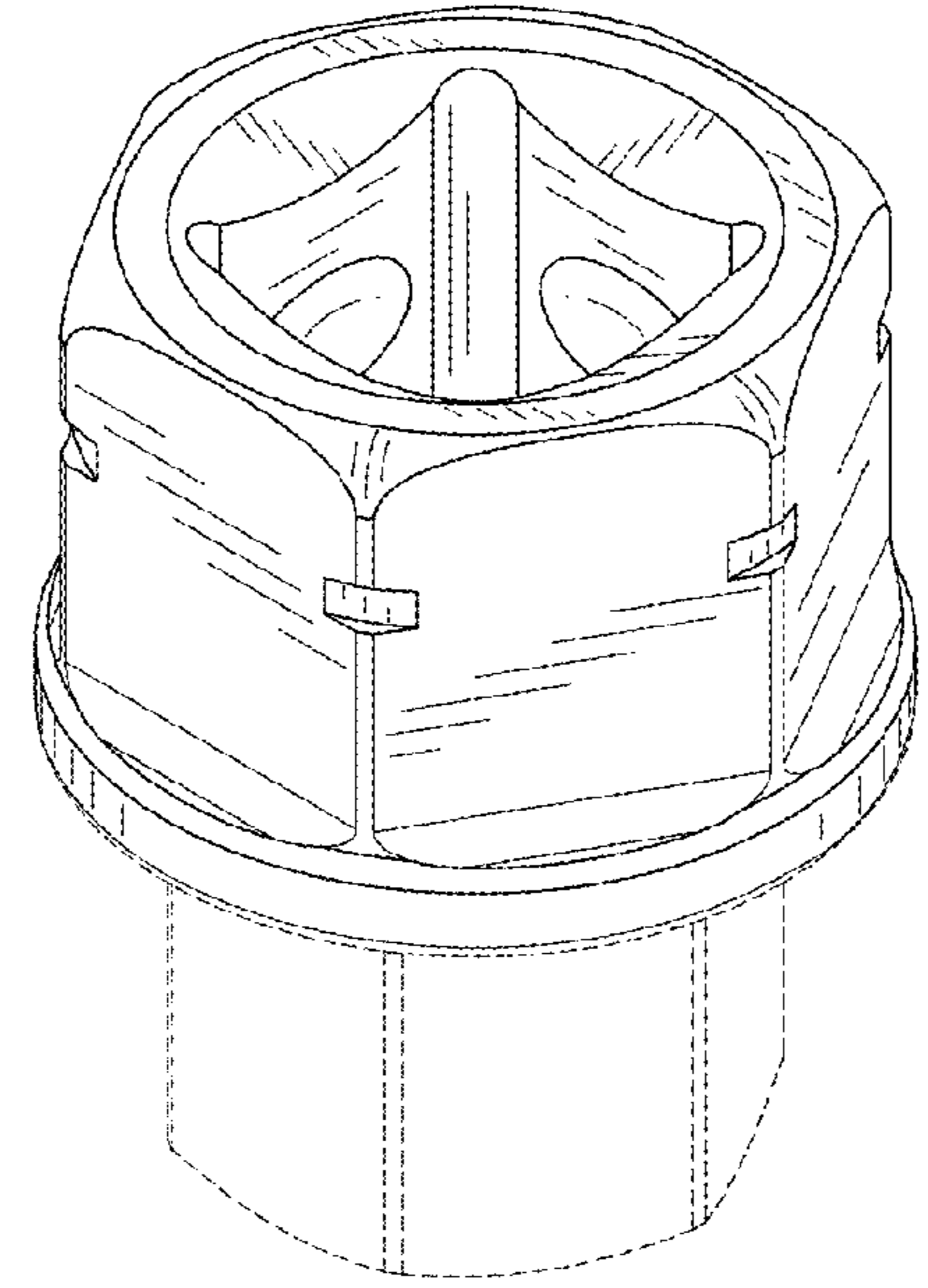
Primary Examiner — Cynthia R Underwood
(74) *Attorney, Agent, or Firm* — Muncy, Geissler, Olds & Lowe, PC

(57) **CLAIM**
We claim the ornamental design for a tool head, as shown and described.

DESCRIPTION

FIG. 1 is a top, front, right perspective view of a tool head showing our new design;
FIG. 2 is a front elevational view thereof;
FIG. 3 is a rear elevational view thereof;
FIG. 4 is a left side view thereof;
FIG. 5 is a right side view thereof;
FIG. 6 is a top plan view thereof;
FIG. 7 is a bottom plan view thereof;
FIG. 8 is a bottom, front, right perspective view thereof; and,
FIG. 9 is a cross-section view taken along the line 9-9 in FIG. 6.
The broken lines in the drawings illustrate portions of the tool head which form no part of the claimed design.

1 Claim, 6 Drawing Sheets



(56)

References Cited

U.S. PATENT DOCUMENTS

2013/0170923 A1* 7/2013 Kuhm F16B 37/08
411/427
2015/0184687 A1* 7/2015 Weis B60B 3/16
411/373

* cited by examiner

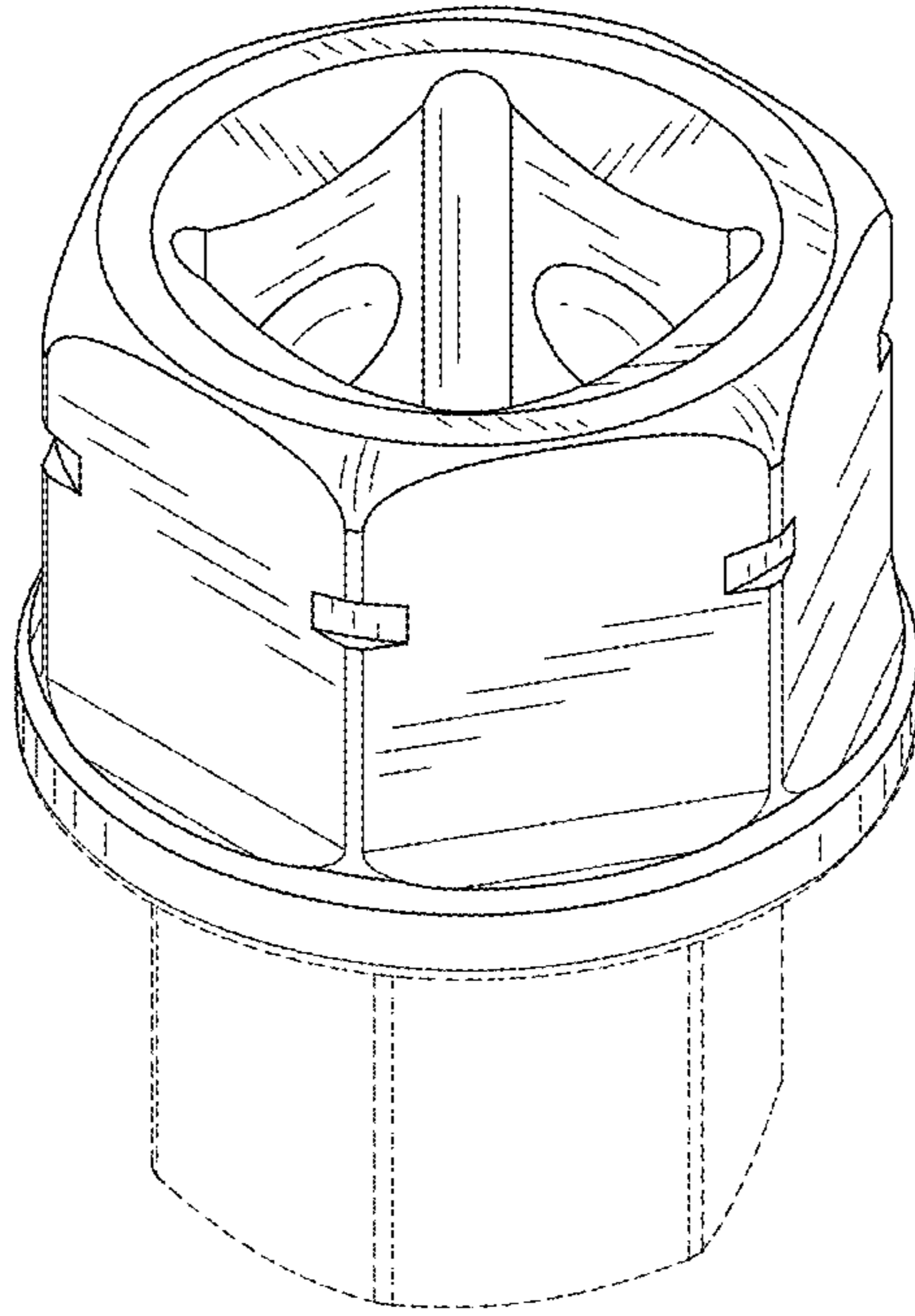


FIG. 1

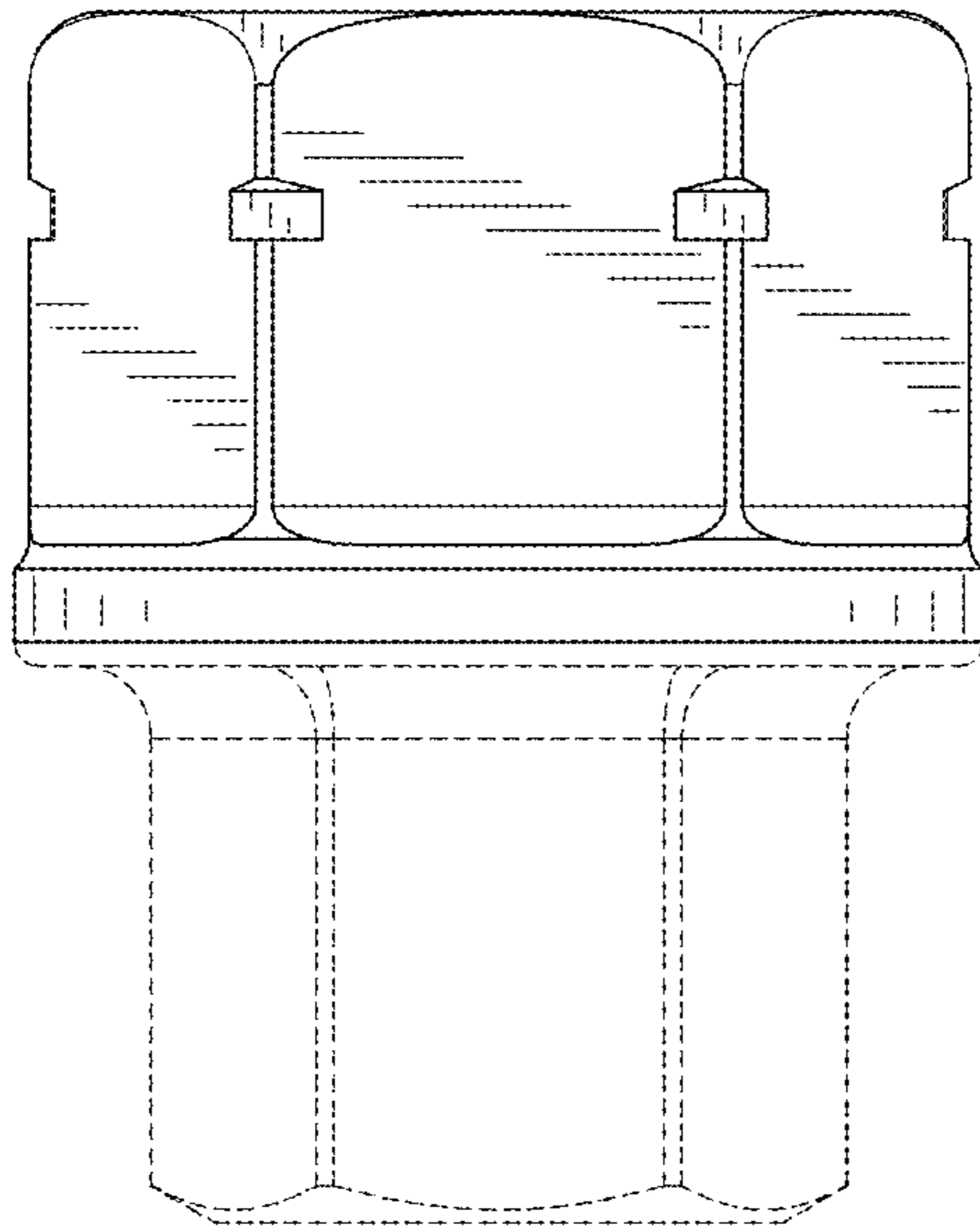


FIG. 2

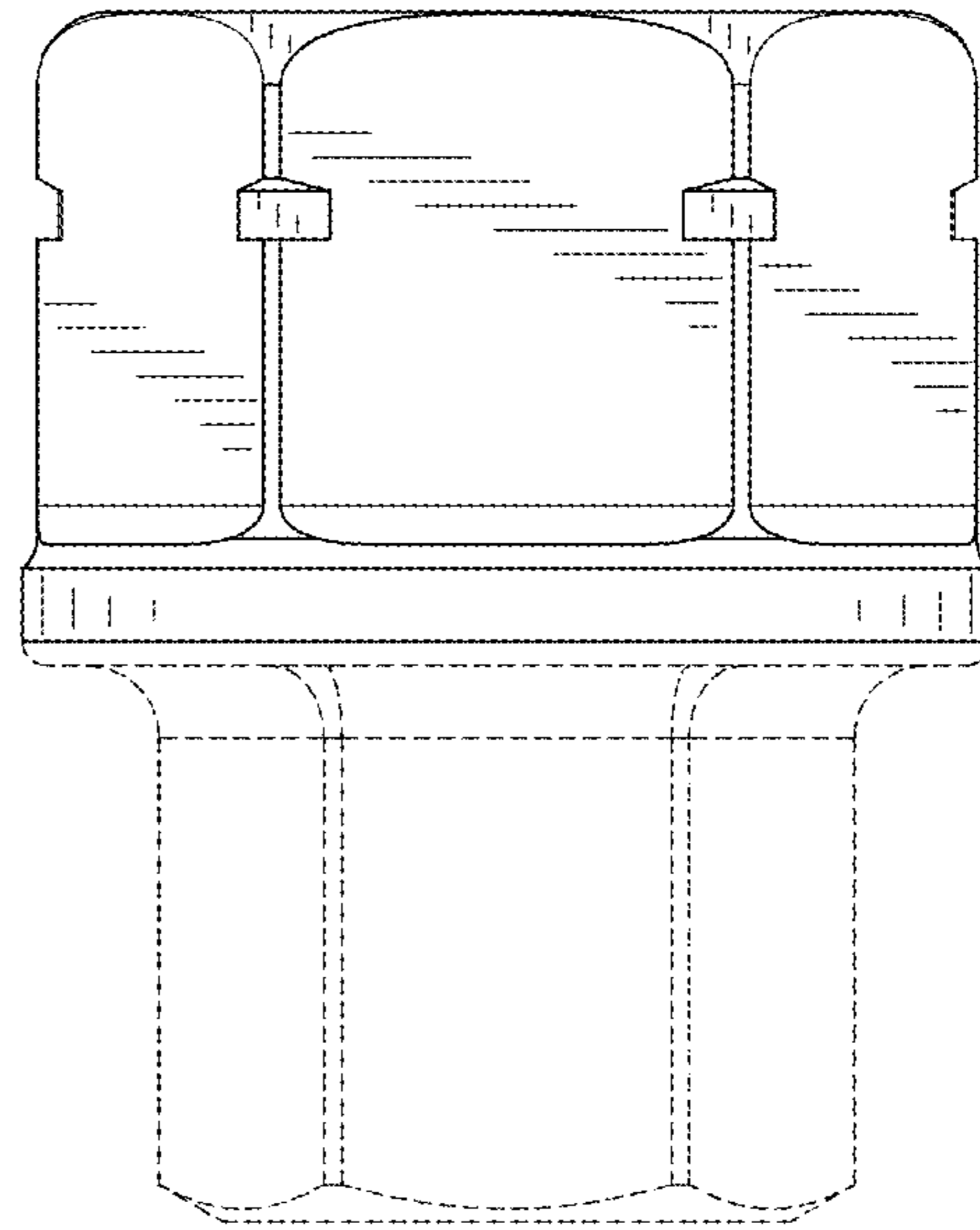


FIG. 3

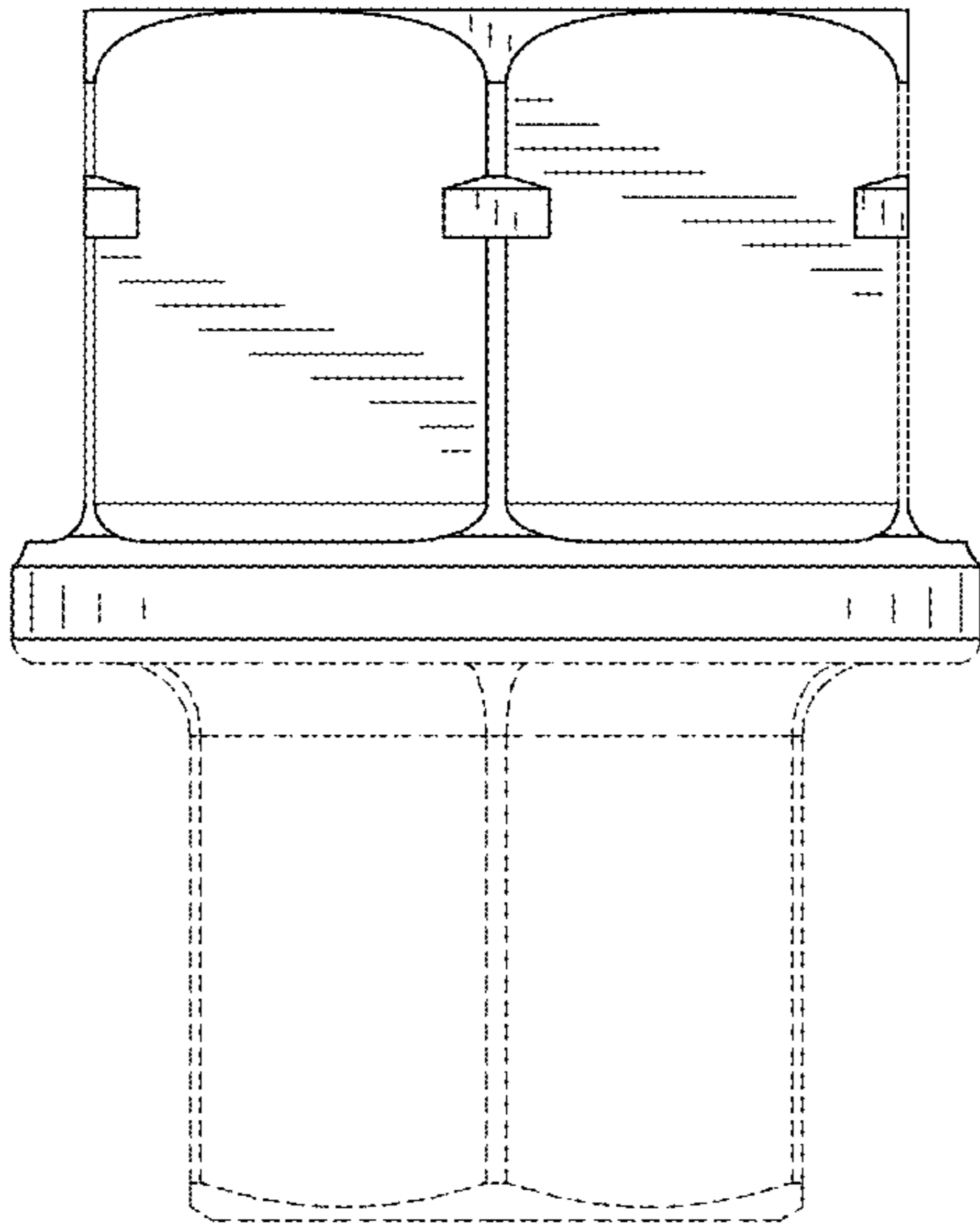


FIG. 4

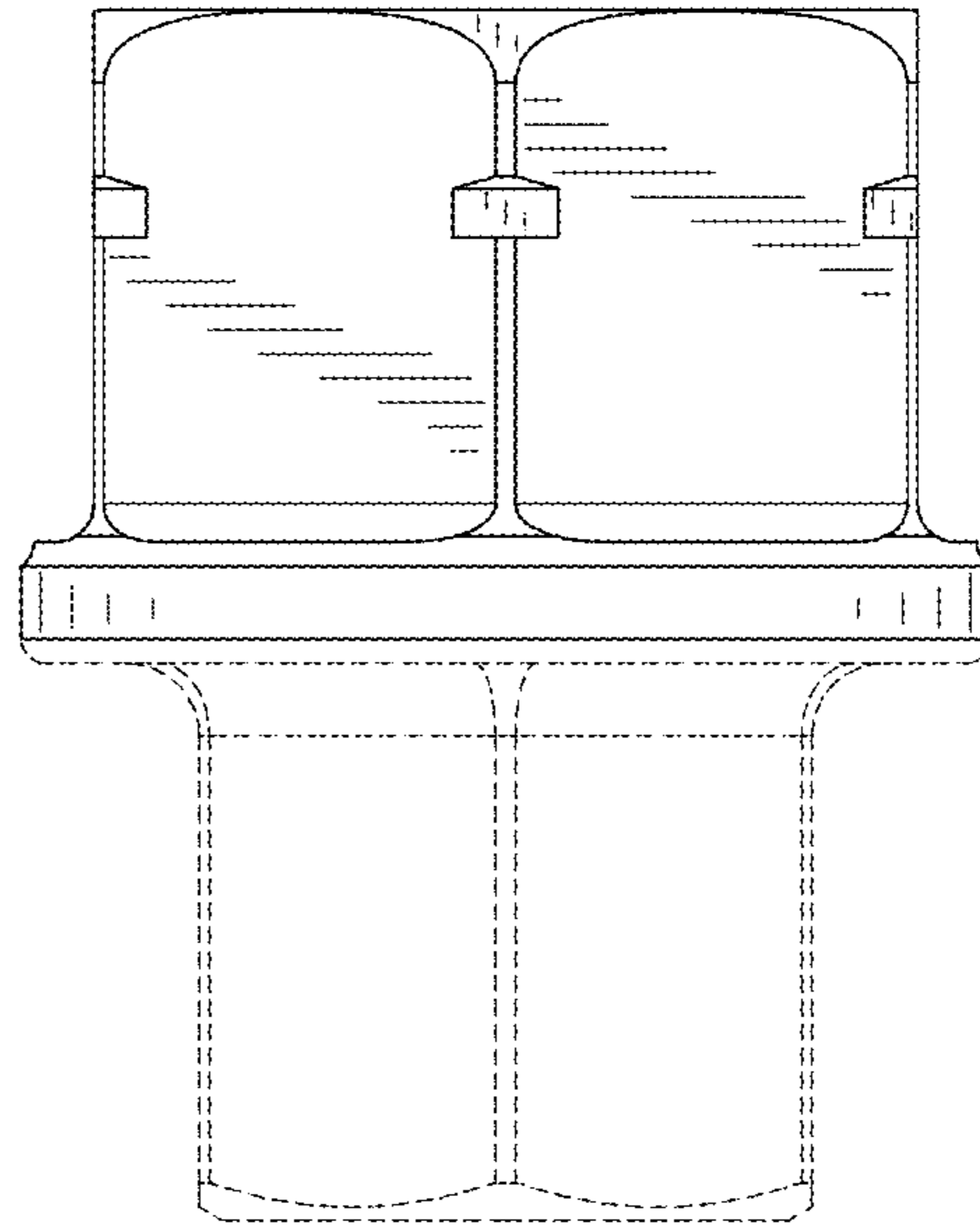


FIG. 5

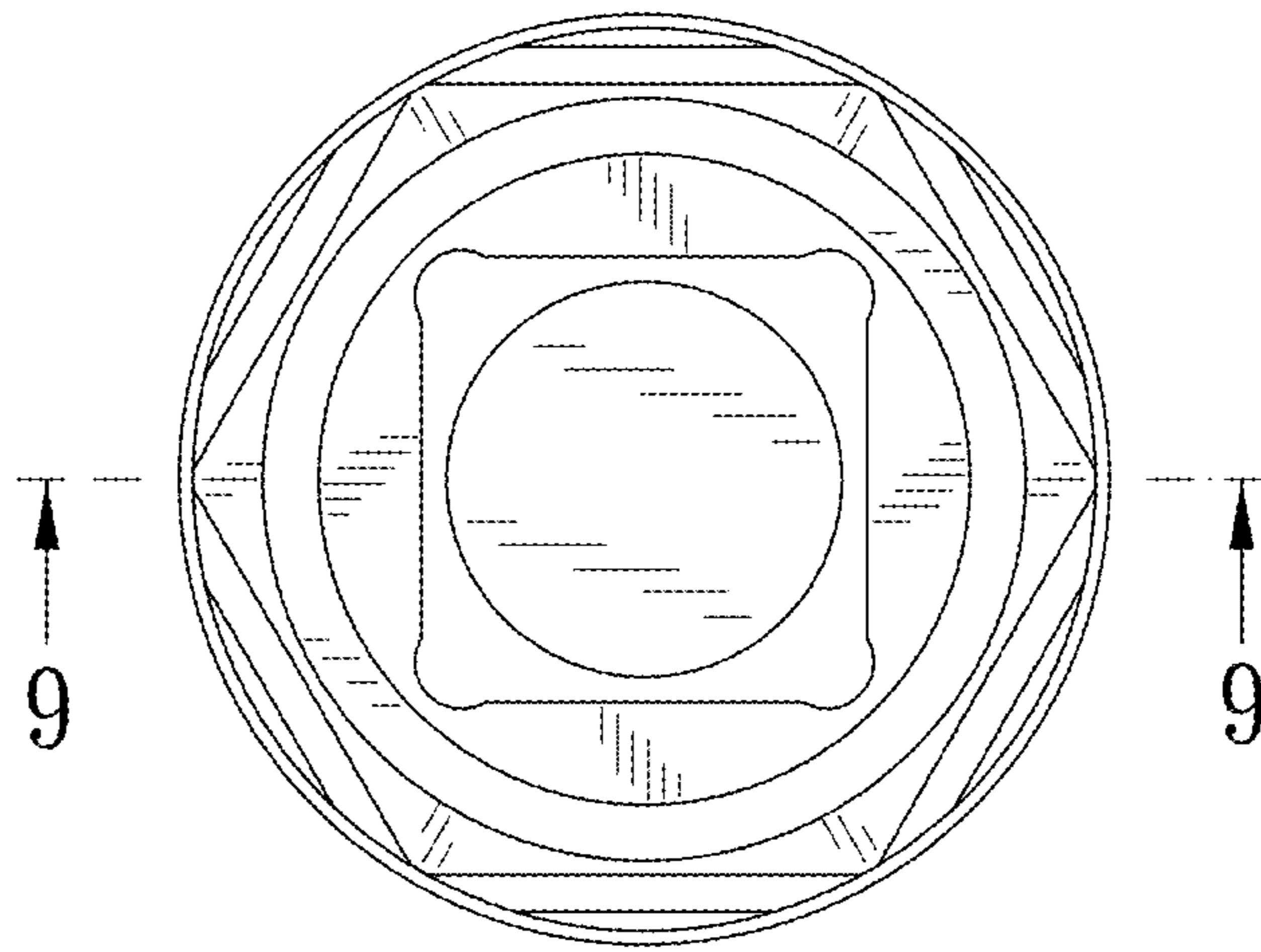


FIG. 6

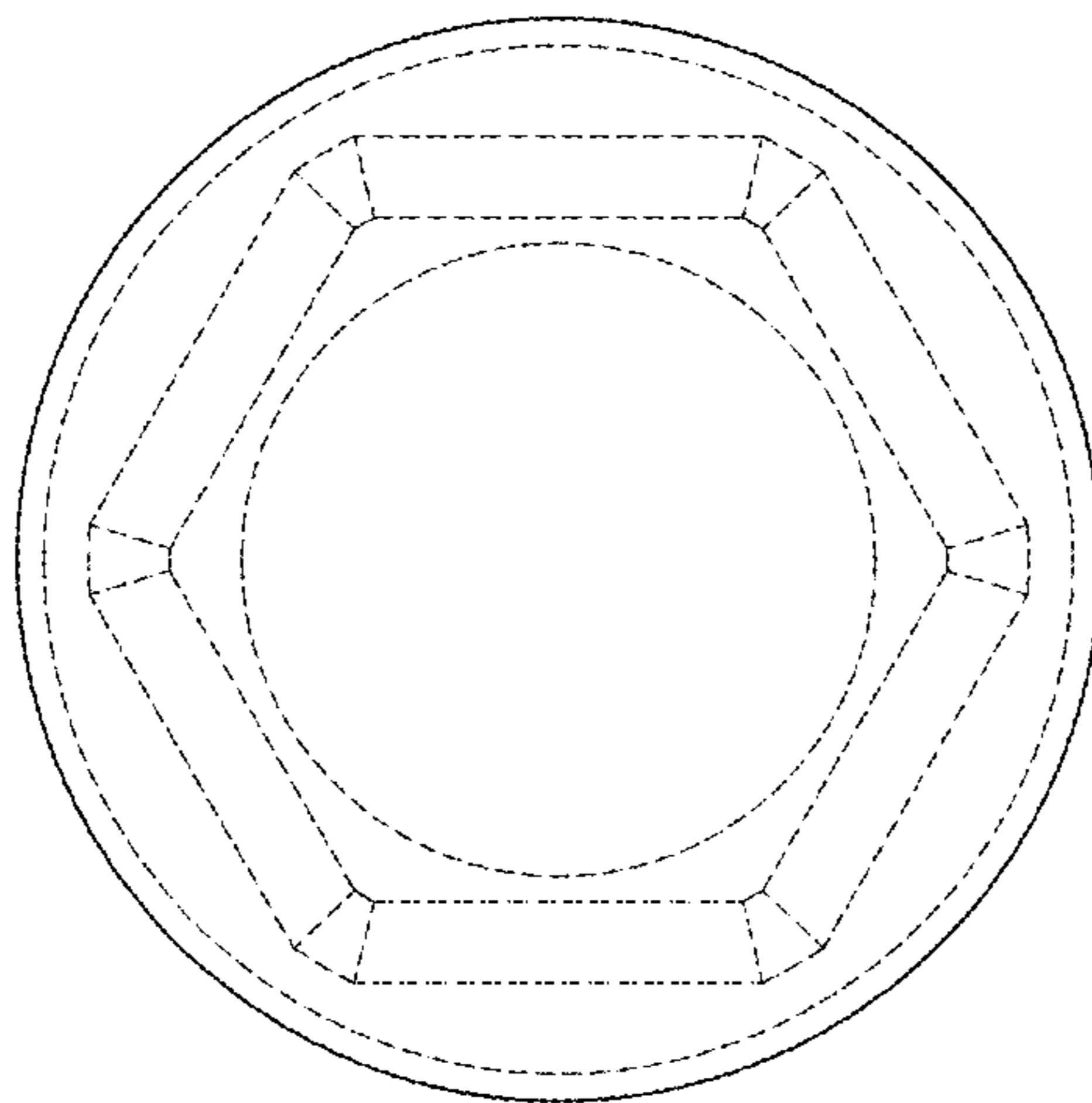


FIG. 7

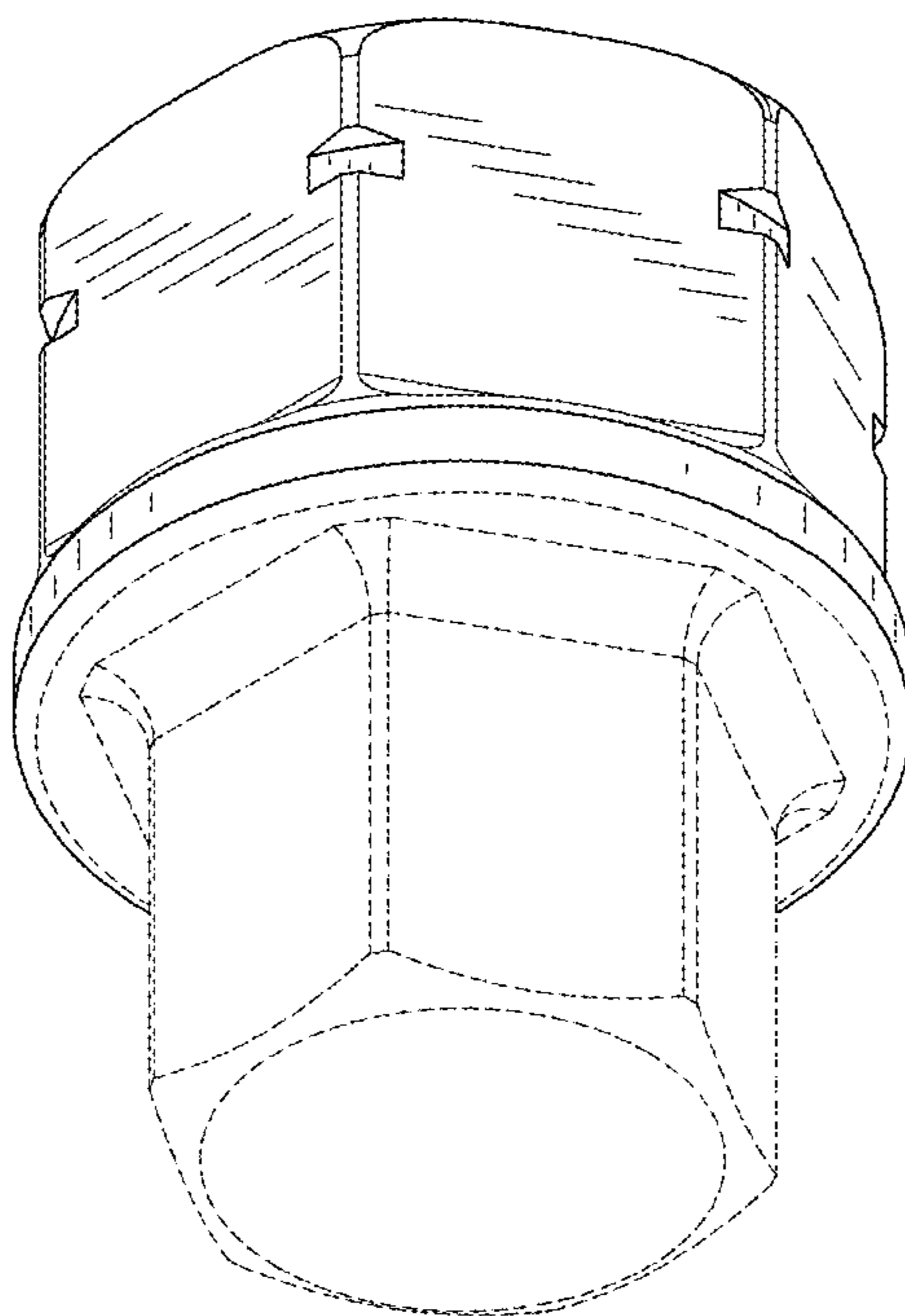


FIG. 8

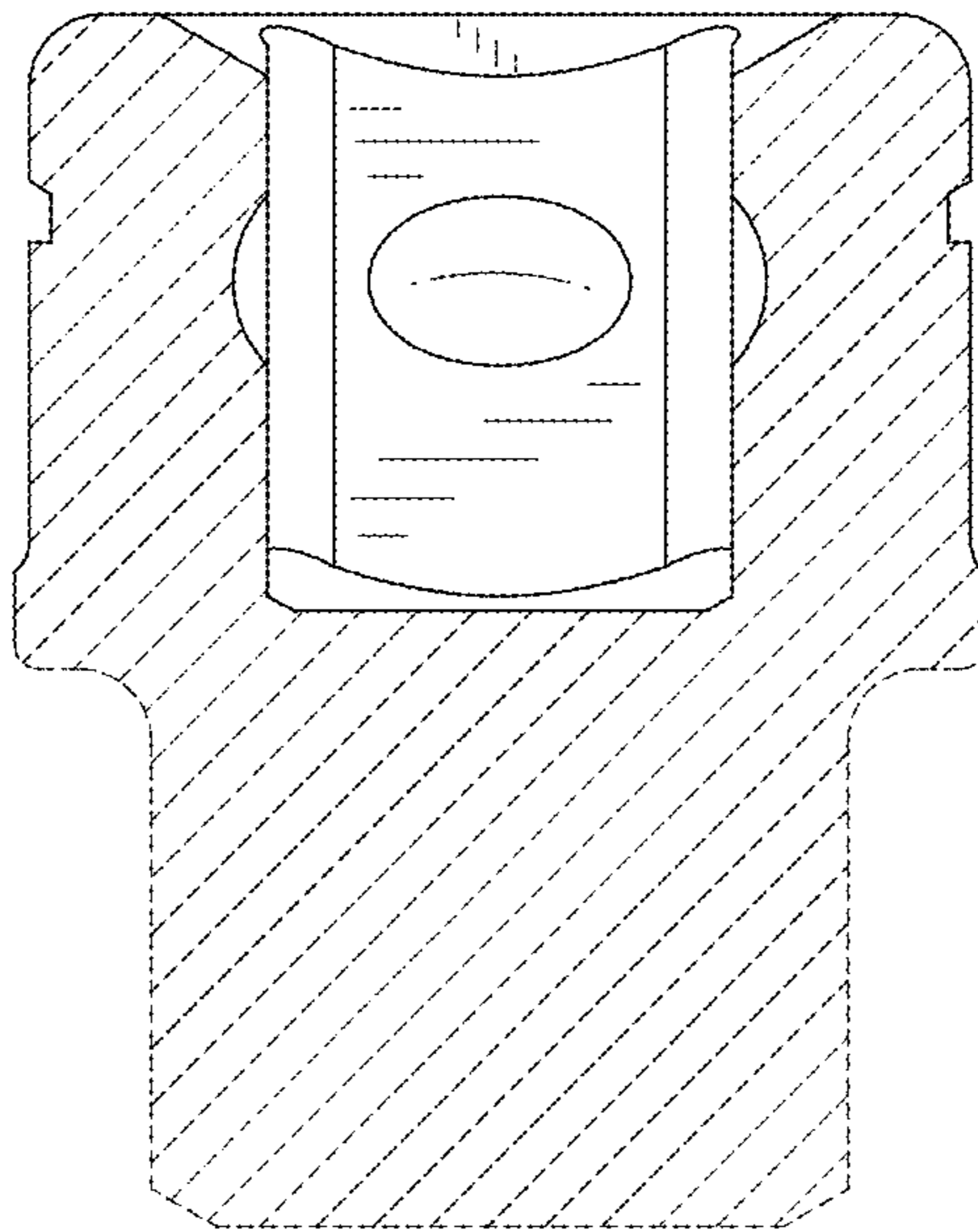


FIG. 9