



US00D899914S

(12) **United States Design Patent**
Pring

(10) **Patent No.:** **US D899,914 S**

(45) **Date of Patent:** **** Oct. 27, 2020**

- (54) **FASTENER FOR A NUT**
- (71) Applicant: **Glen Haydn Pring**, Helensvale (AU)
- (72) Inventor: **Glen Haydn Pring**, Helensvale (AU)
- (**) Term: **15 Years**
- (21) Appl. No.: **29/691,773**
- (22) Filed: **May 20, 2019**
- (30) **Foreign Application Priority Data**
Nov. 21, 2018 (AU) 201816981
- (51) **LOC (12) Cl.** **08-08**
- (52) **U.S. Cl.**
USPC **D8/397**
- (58) **Field of Classification Search**
USPC D8/397, 394, 382, 349, 399, 387;
411/376.2, 84, 446, 399, 490, 455
CPC F16B 37/068; F16B 33/002; F16B 41/002;
F16B 5/0208; F01N 13/009
See application file for complete search history.

5,374,146 A	12/1994	Allen	
D418,048 S	12/1999	Chan	
D418,743 S	1/2000	Hollis	
D419,431 S	1/2000	Hollis	
D433,621 S	11/2000	Wiley	
6,176,665 B1	1/2001	Bondarowicz et al.	
D499,010 S *	11/2004	Velten	D8/387
D584,137 S	1/2009	Edge, Jr.	
D605,500 S	12/2009	Lee et al.	
D614,942 S *	5/2010	Gaudron	D8/387
D733,547 S *	7/2015	Mazur	D8/391
D741,159 S *	10/2015	Campbell	D8/387
D764,267 S	8/2016	Hutter, III	
D766,069 S *	9/2016	Miller	D8/349
9,592,592 B2 *	3/2017	Prunean	B25B 23/00
D789,781 S *	6/2017	Johnson	D8/397
D792,201 S *	7/2017	Baiz	D8/387
D807,736 S	1/2018	Adriano	
9,879,369 B2	1/2018	Timac et al.	
10,537,982 B2 *	1/2020	Prunean	B25B 21/007
D874,245 S *	2/2020	Whited	D8/354
D879,598 S *	3/2020	Pring	D8/387

(Continued)

Primary Examiner — Cynthia R Underwood
(74) *Attorney, Agent, or Firm* — Bonini IP Law, LLC;
Frank J. Bonini, Jr.

(57) **CLAIM**

The ornamental design for a fastener for a nut, as shown and described.

DESCRIPTION

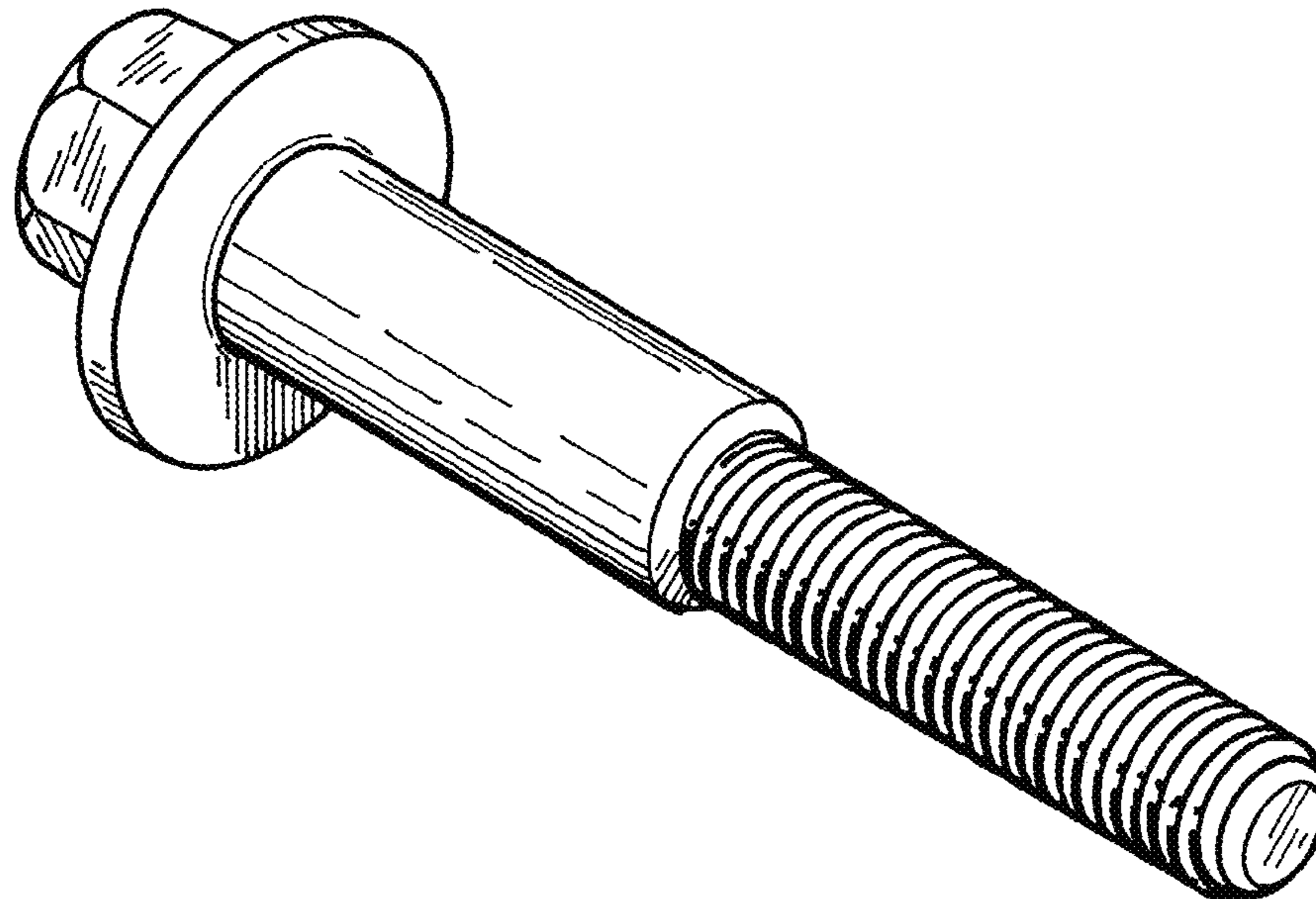
FIG. 1 is a top perspective view of a fastener for a nut according to my new design;
FIG. 2 is a front view thereof;
FIG. 3 is a rear view thereof;
FIG. 4 is an end view thereof;
FIG. 5 is an opposite end view thereof;
FIG. 6 is a top view thereof; and,
FIG. 7 is a bottom view thereof.

1 Claim, 2 Drawing Sheets

(56) **References Cited**

U.S. PATENT DOCUMENTS

D10,410 S	1/1878	Reed	
375,206 A *	12/1887	Shelton	F16B 23/003
			411/403
D35,710 S	2/1902	Stickley	
2,940,495 A *	6/1960	Wing	F16B 39/284
			411/305
D245,147 S	7/1977	Ono	
D248,824 S	8/1978	Imai et al.	
4,164,971 A	8/1979	Strand	
5,056,975 A	10/1991	Ando	
5,168,781 A *	12/1992	Tenuta	B25B 13/06
			81/121.1
5,199,152 A	4/1993	Wagner	
5,255,647 A	10/1993	Kiczek	



(56)

References Cited

U.S. PATENT DOCUMENTS

D884,466 S * 5/2020 Ryan D8/387
D890,604 S * 7/2020 Kirkpatrick D8/397
2003/0185649 A1* 10/2003 Mizuno F16B 35/047
411/411
2006/0120826 A1* 6/2006 Wieser F16B 25/0052
411/387.4
2009/0202318 A1* 8/2009 Wang F16B 5/0208
411/295
2011/0286814 A1* 11/2011 Hettich F16B 35/041
411/386
2012/0155986 A1* 6/2012 Schaser F16B 41/002
411/337
2012/0315110 A1* 12/2012 Levey F16B 31/04
411/415

* cited by examiner

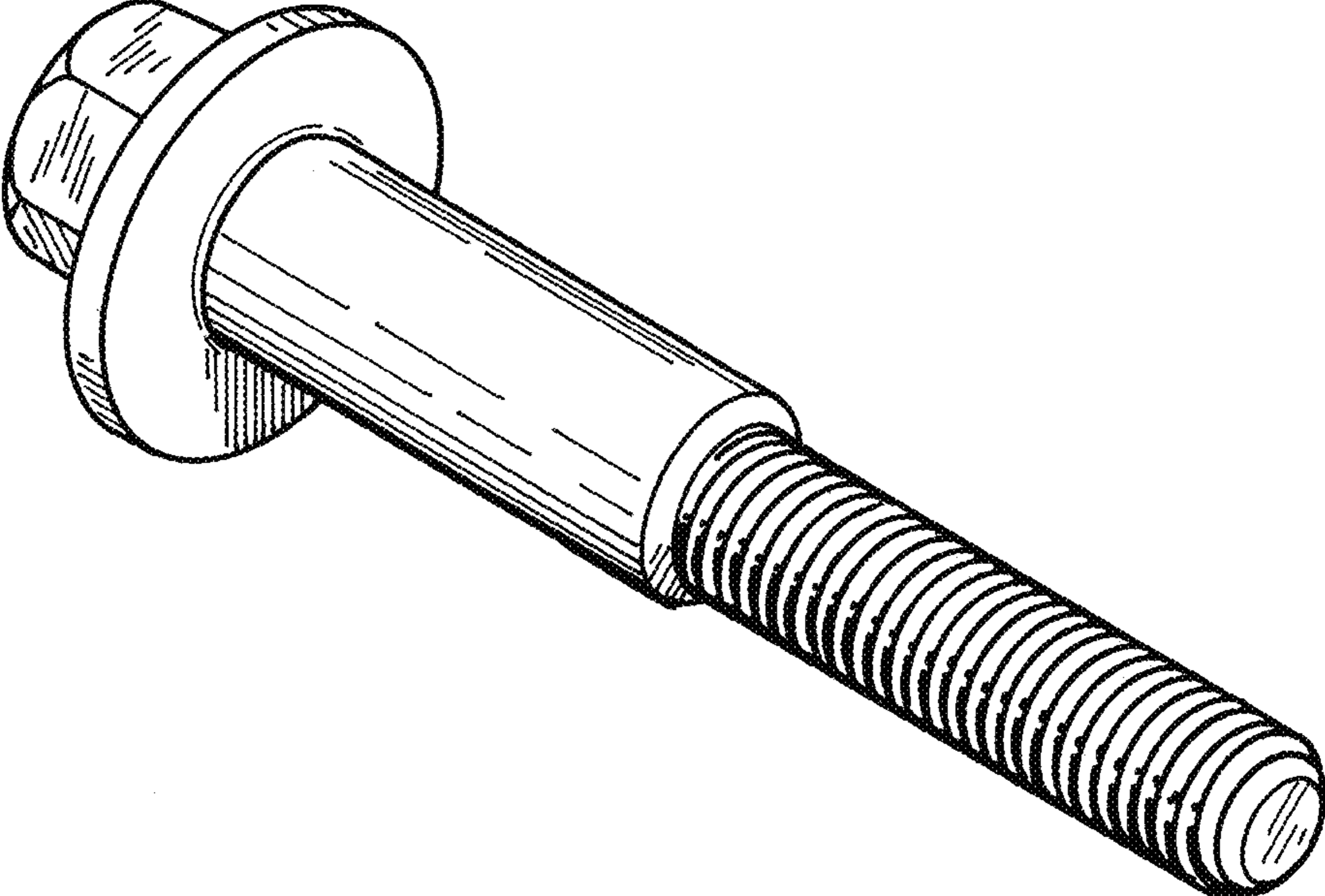


FIG.1

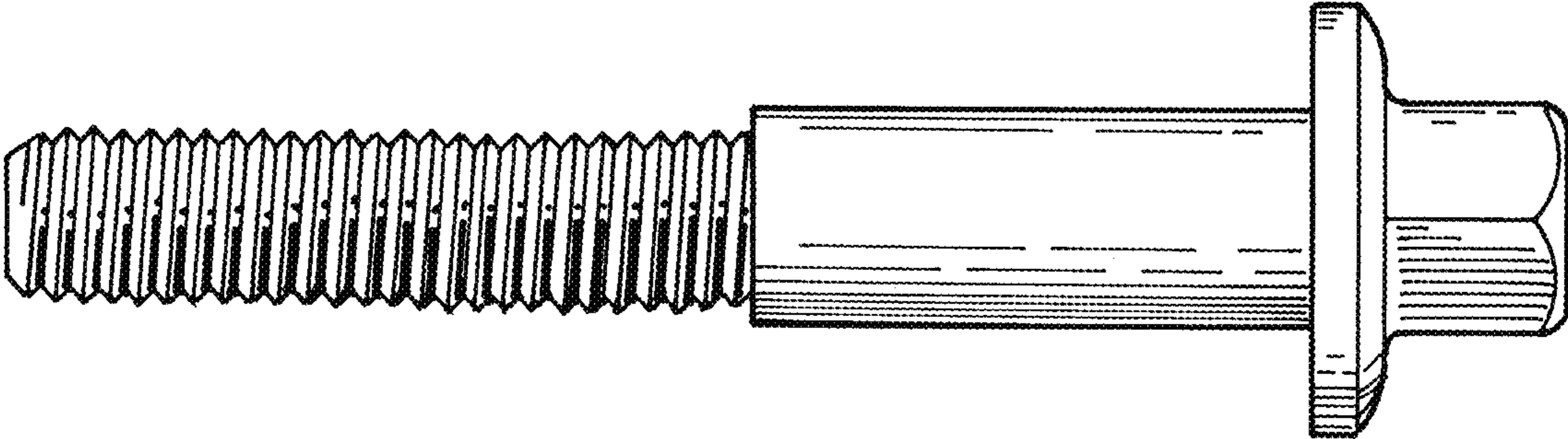


FIG.2

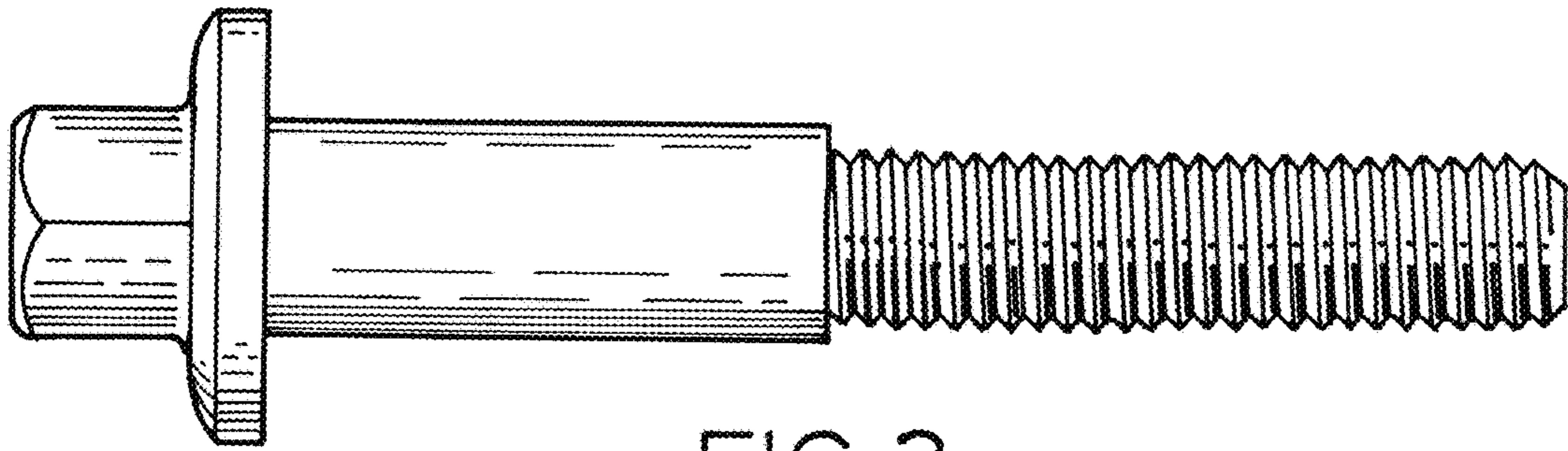


FIG. 3

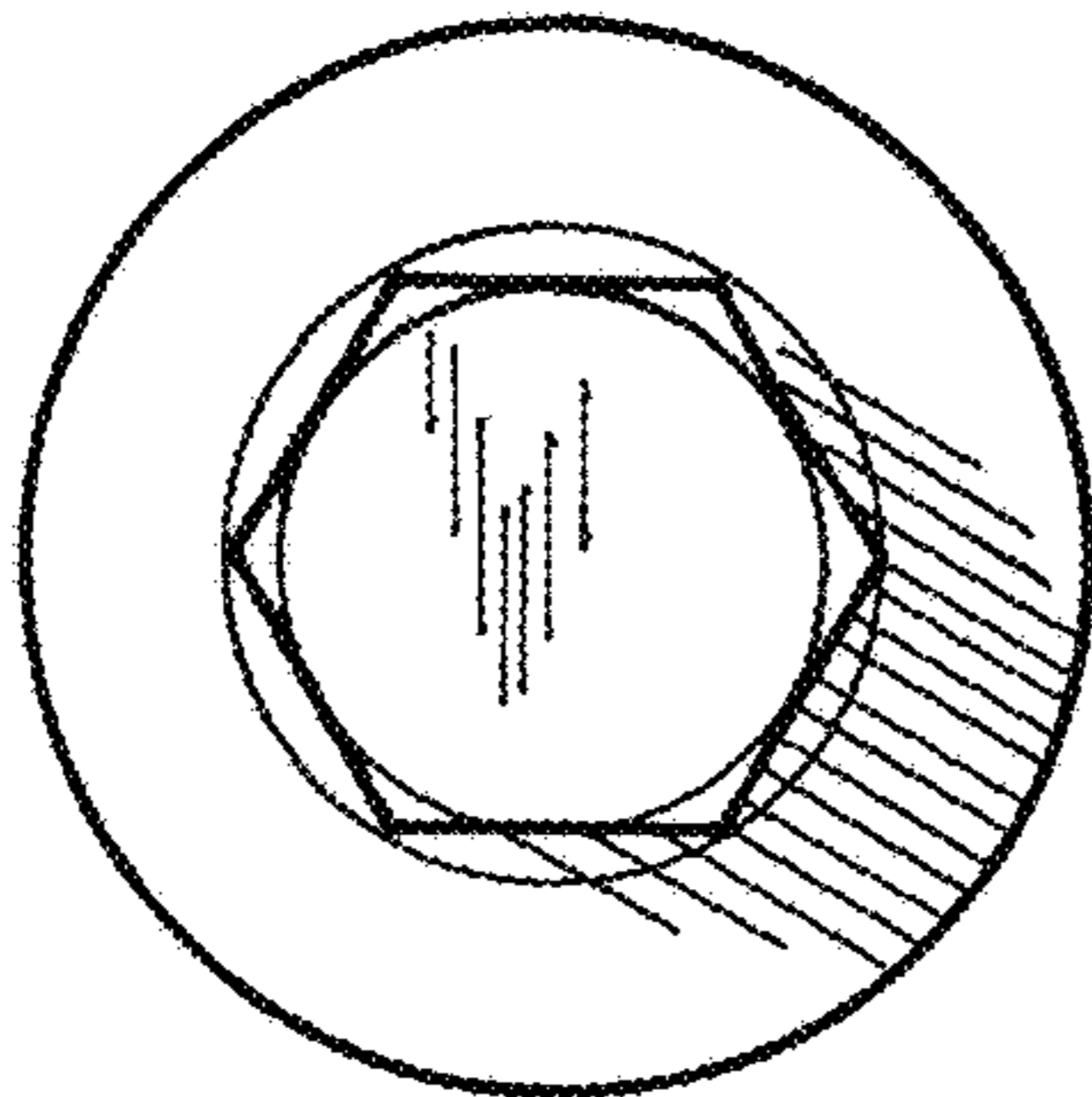


FIG. 4

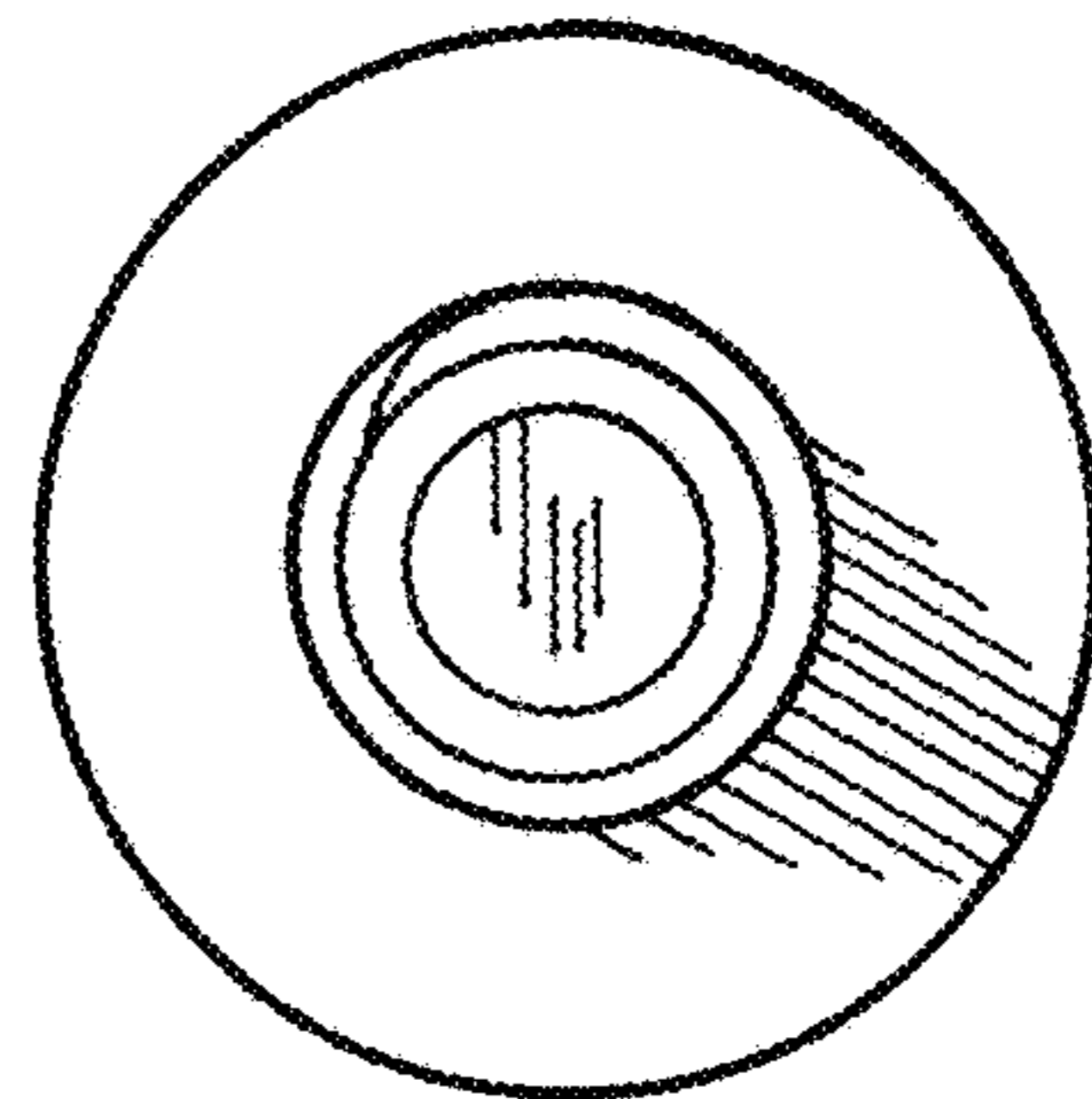


FIG. 5

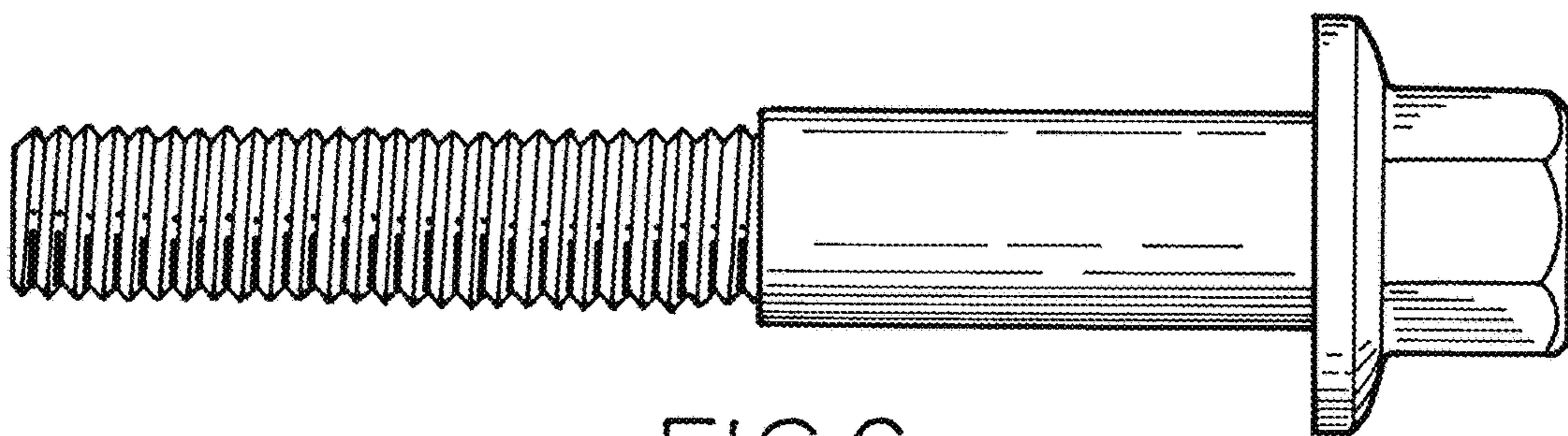


FIG. 6

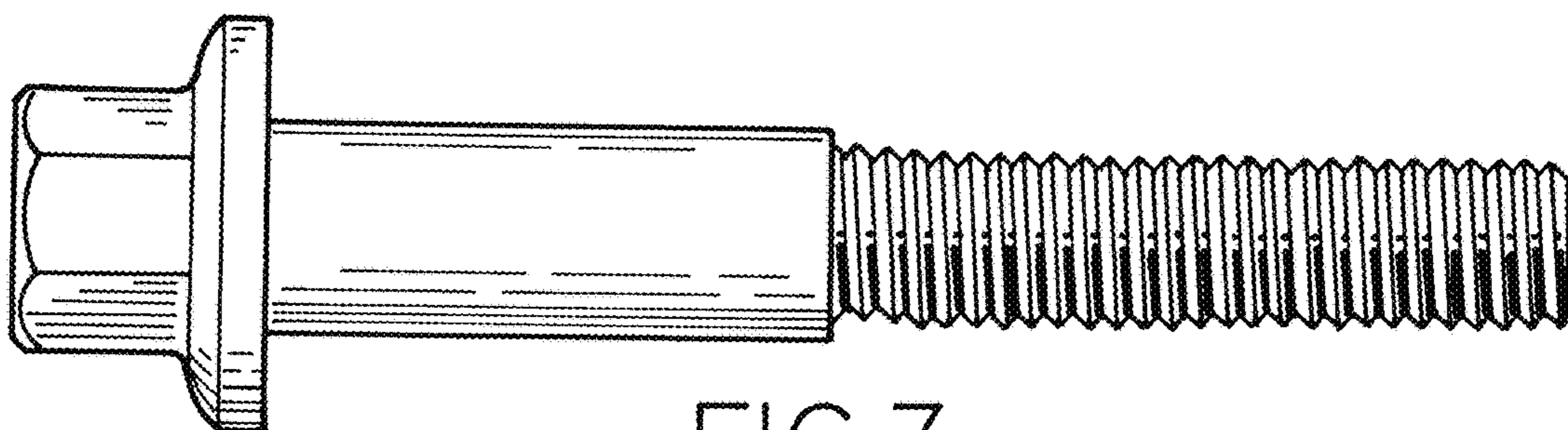


FIG. 7