



US00D899913S

(12) **United States Design Patent** (10) **Patent No.:** **US D899,913 S**
Feldman et al. (45) **Date of Patent:** **** Oct. 27, 2020**

(54) **U-CLIP COMPONENT OF A MODULAR BRACKET SYSTEM FOR CONNECTING MULTIPLE SHELVES AT VARIABLE ANGLES**

(71) Applicants: **Aaron Joseph Feldman**, Berkeley, CA (US); **Trevor Caldwell Thorpe**, Kensington, CA (US)

(72) Inventors: **Aaron Joseph Feldman**, Berkeley, CA (US); **Trevor Caldwell Thorpe**, Kensington, CA (US)

(**) Term: **15 Years**

(21) Appl. No.: **29/742,033**

(22) Filed: **Oct. 1, 2019**

Related U.S. Application Data

(63) Continuation-in-part of application No. 16/602,040, filed on Jul. 26, 2019, and a continuation-in-part of application No. 29/658,629, filed on Aug. 1, 2018, which is a continuation-in-part of application No. 29/654,693, filed on Jun. 26, 2018, and a continuation-in-part of application No. 15/731,694, filed on Jul. 19, 2017, now Pat. No. 10,524,452.

(51) **LOC (12) Cl.** **08-08**

(52) **U.S. Cl.**
USPC **D8/382**

(58) **Field of Classification Search**
USPC D8/354, 355, 380, 381, 382
CPC ... A47B 46/005; A47B 57/045; A47B 96/028;
A47B 46/00; A47B 96/07; A47B 57/42;
A47B 5/02; A47B 96/024; A01K 15/024
See application file for complete search history.

(56) **References Cited**

U.S. PATENT DOCUMENTS

4,360,177 A * 11/1982 Dulhunty H02G 7/053
174/40 R
D348,827 S * 7/1994 Berti D8/382

D409,895 S * 5/1999 Schron, Jr. D8/349
6,152,412 A * 11/2000 Basicckes F16L 3/127
248/317
D635,445 S * 4/2011 Foresman D8/354
D644,915 S * 9/2011 Chen D8/354
D722,864 S * 2/2015 Greenthal D8/382
D761,084 S * 7/2016 Cox D8/354
D800,536 S * 10/2017 Kelley D8/354
2014/0261107 A1 * 9/2014 Sabounjian A47B 57/10
108/147.13

(Continued)

Primary Examiner — Lauren R Calve

(74) *Attorney, Agent, or Firm* — Savantek Patent Services; Ivan E. Rozek

(57) **CLAIM**

The ornamental design for a U-clip component of a modular bracket system for connecting multiple shelves at variable angles, as shown and described.

DESCRIPTION

FIG. 1 is a perspective view of a U-clip component of a modular bracket system for connecting multiple shelves at variable angles.

FIG. 2 is a top view thereof.

FIG. 3 is a bottom view thereof.

FIG. 4 is a side view thereof.

FIG. 5 is a second side view thereof.

FIG. 6 is a front view thereof.

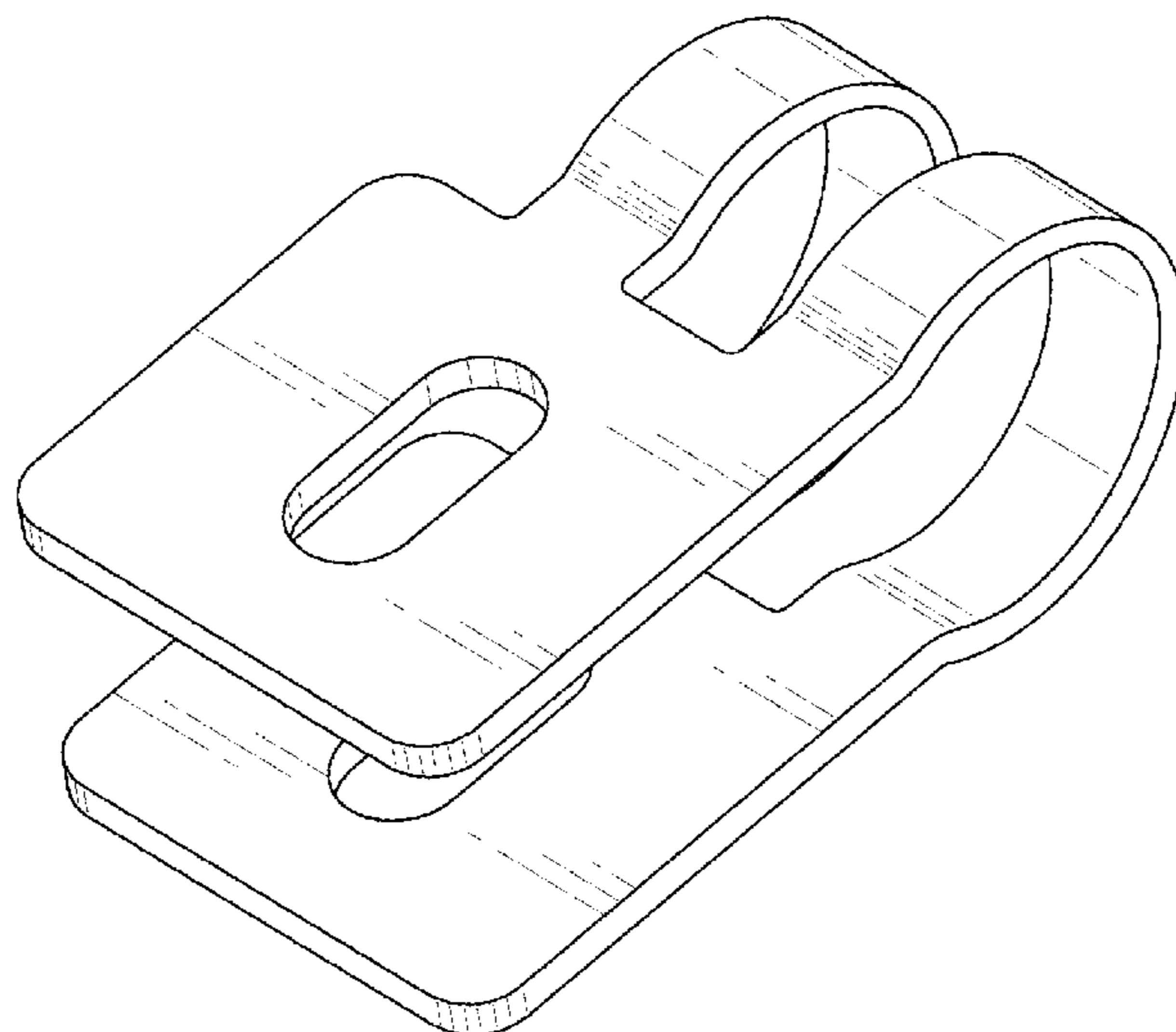
FIG. 7 is a rear view thereof.

FIG. 8 is a top plan view thereof shown in use;

FIG. 9 is a side plan view thereof shown in a second use; and,

FIG. 10 is a perspective view thereof shown in a third use. The broken lines shown represent portions of the modular bracket system that form no part of the claimed design.

1 Claim, 6 Drawing Sheets



(56)

References Cited

U.S. PATENT DOCUMENTS

2019/0021284 A1* 1/2019 Feldman A47B 96/066

* cited by examiner

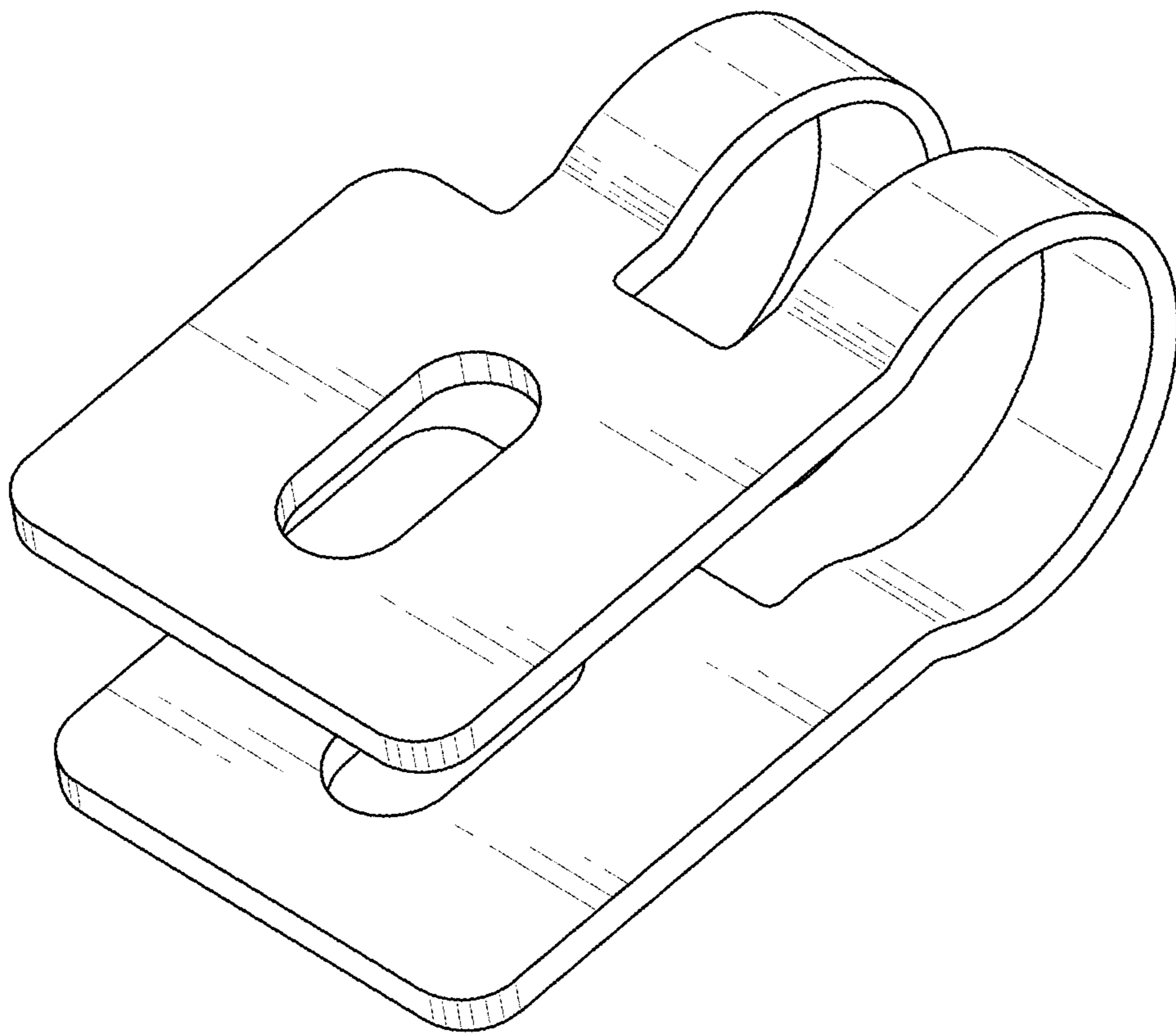


FIG. 1

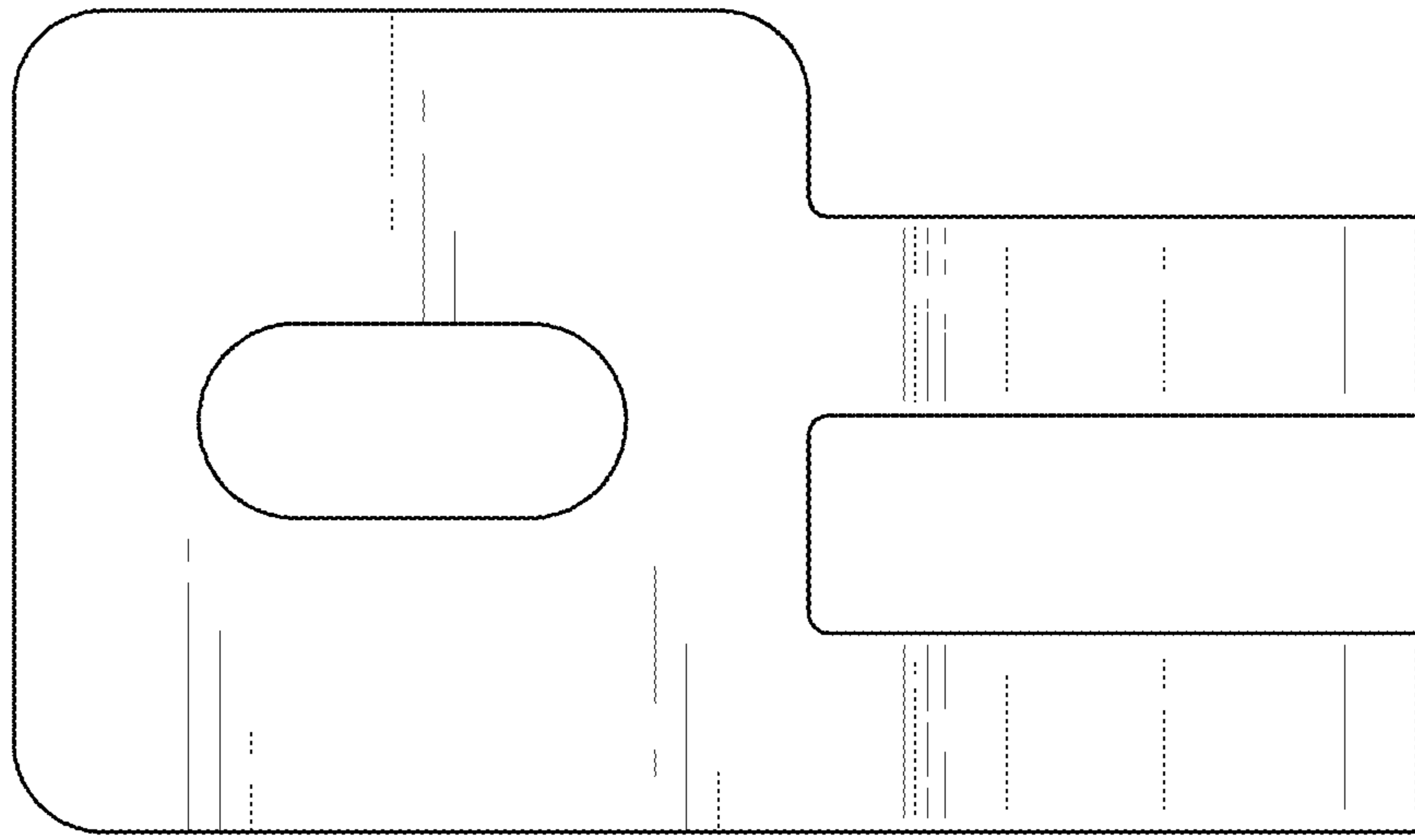


FIG. 2

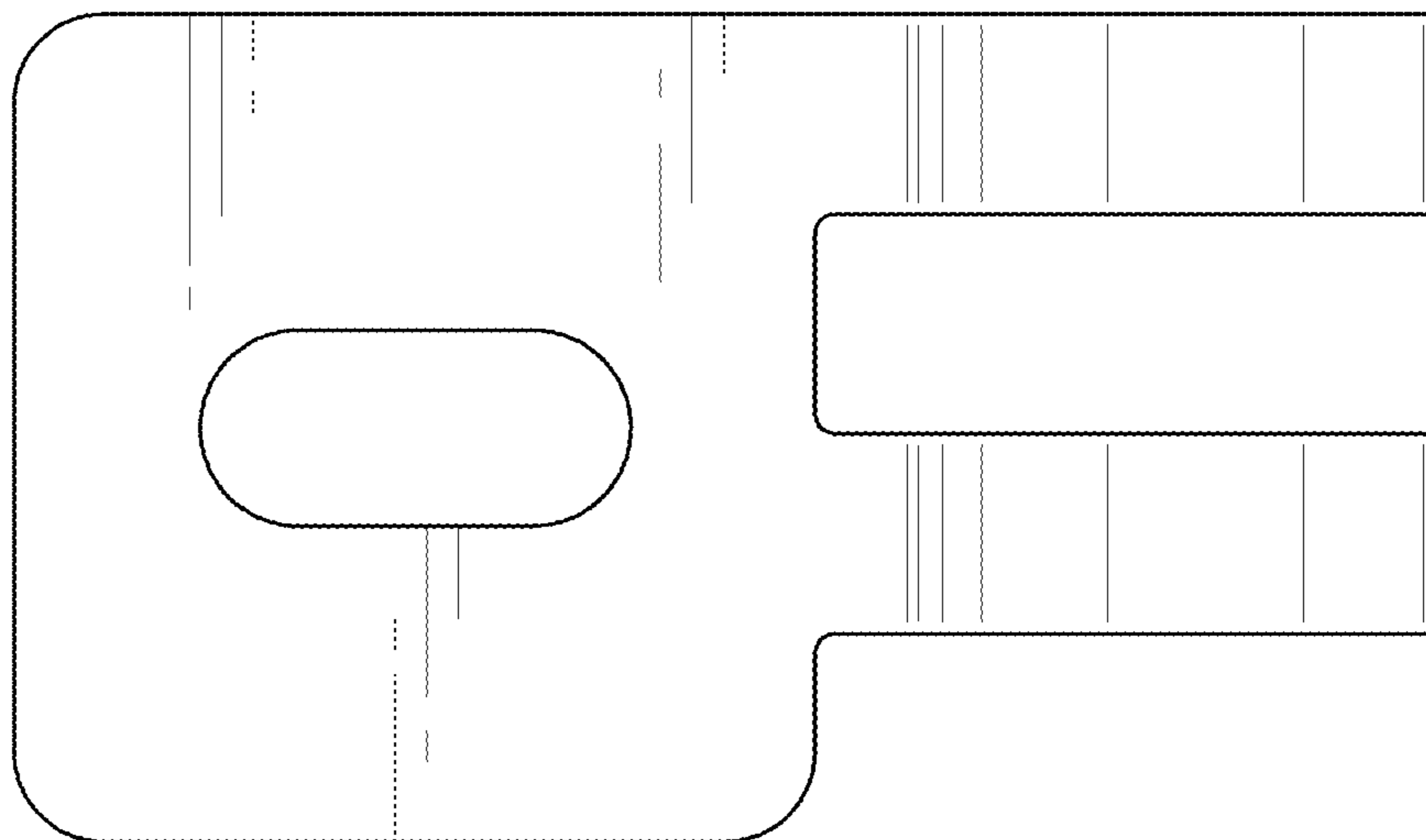


FIG. 3

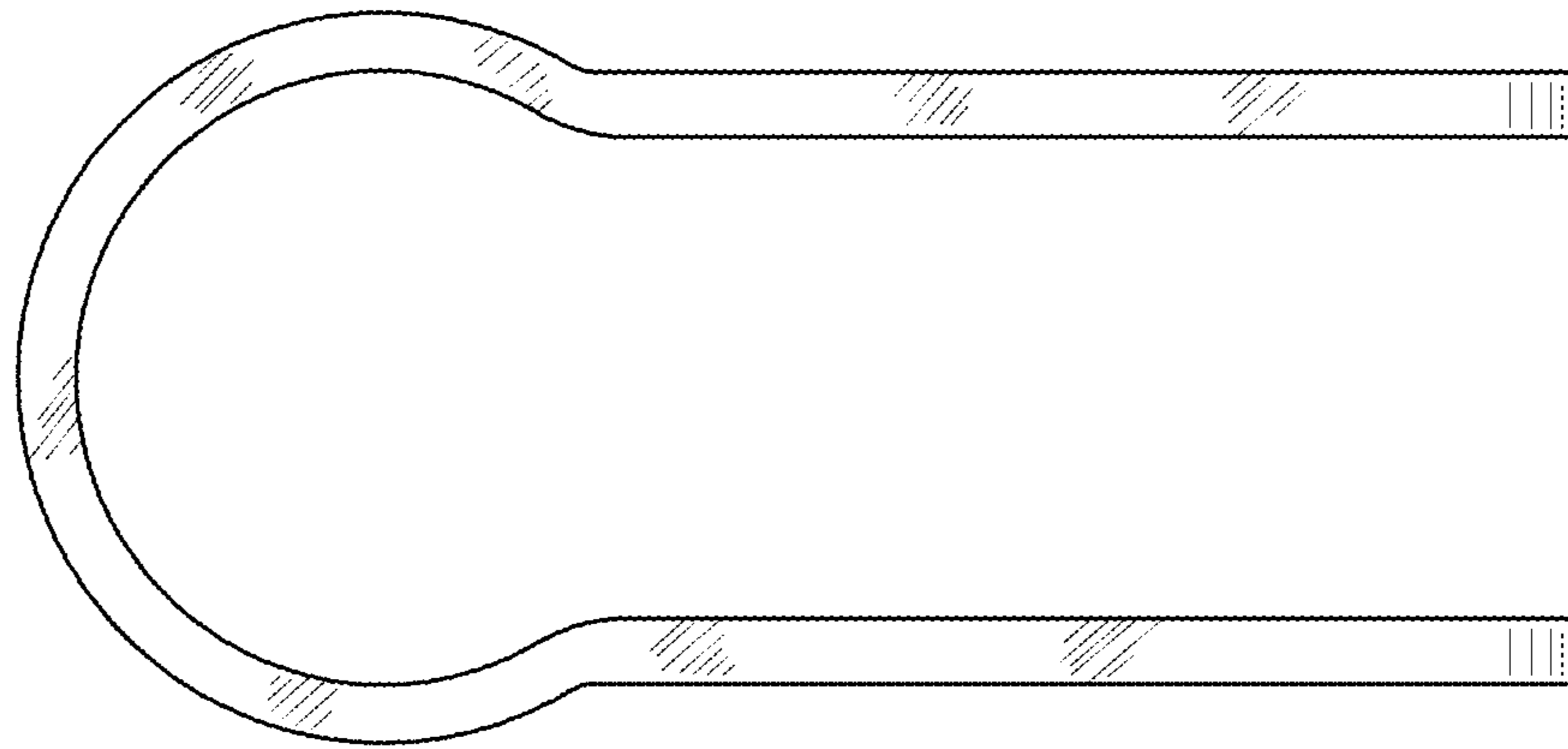


FIG. 4

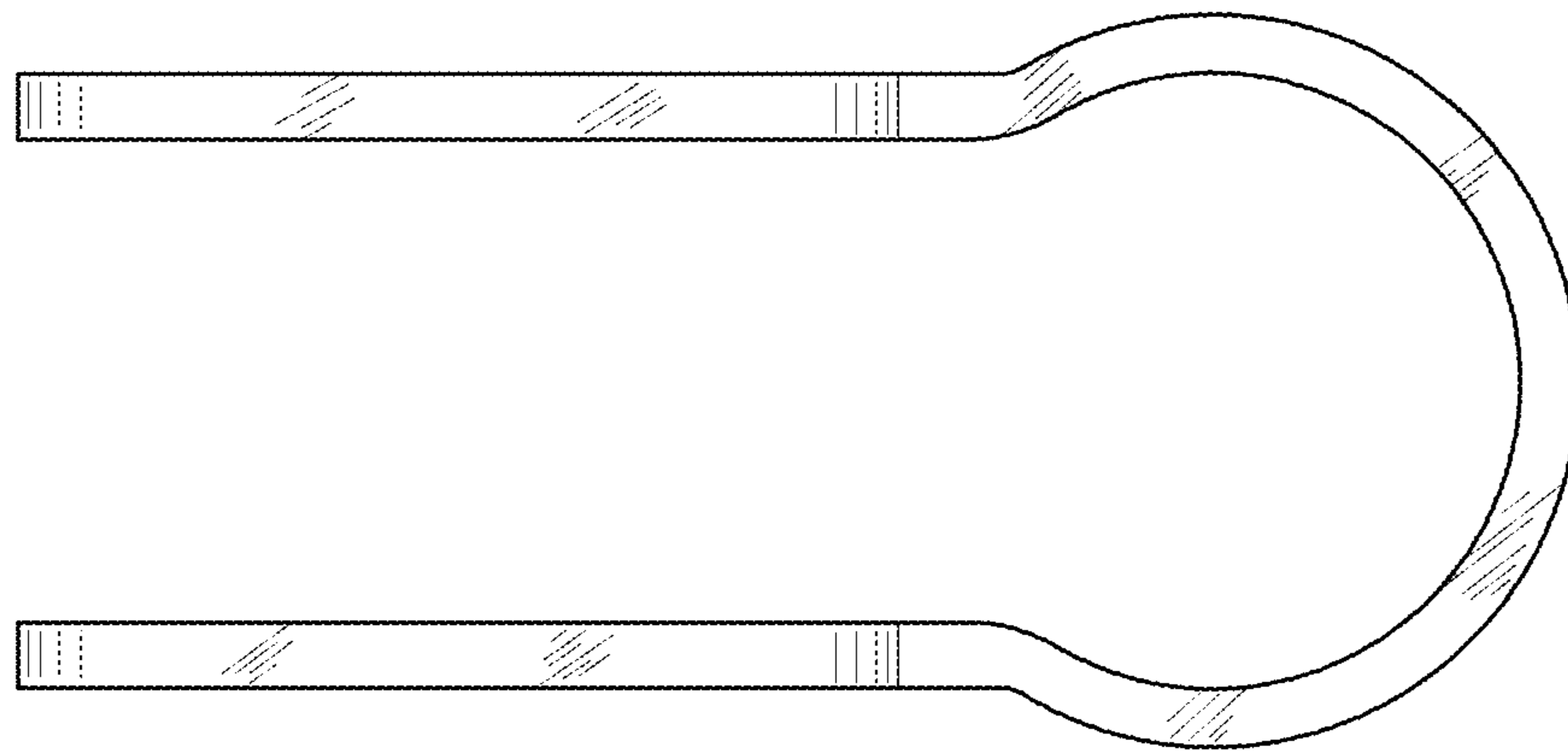


FIG. 5

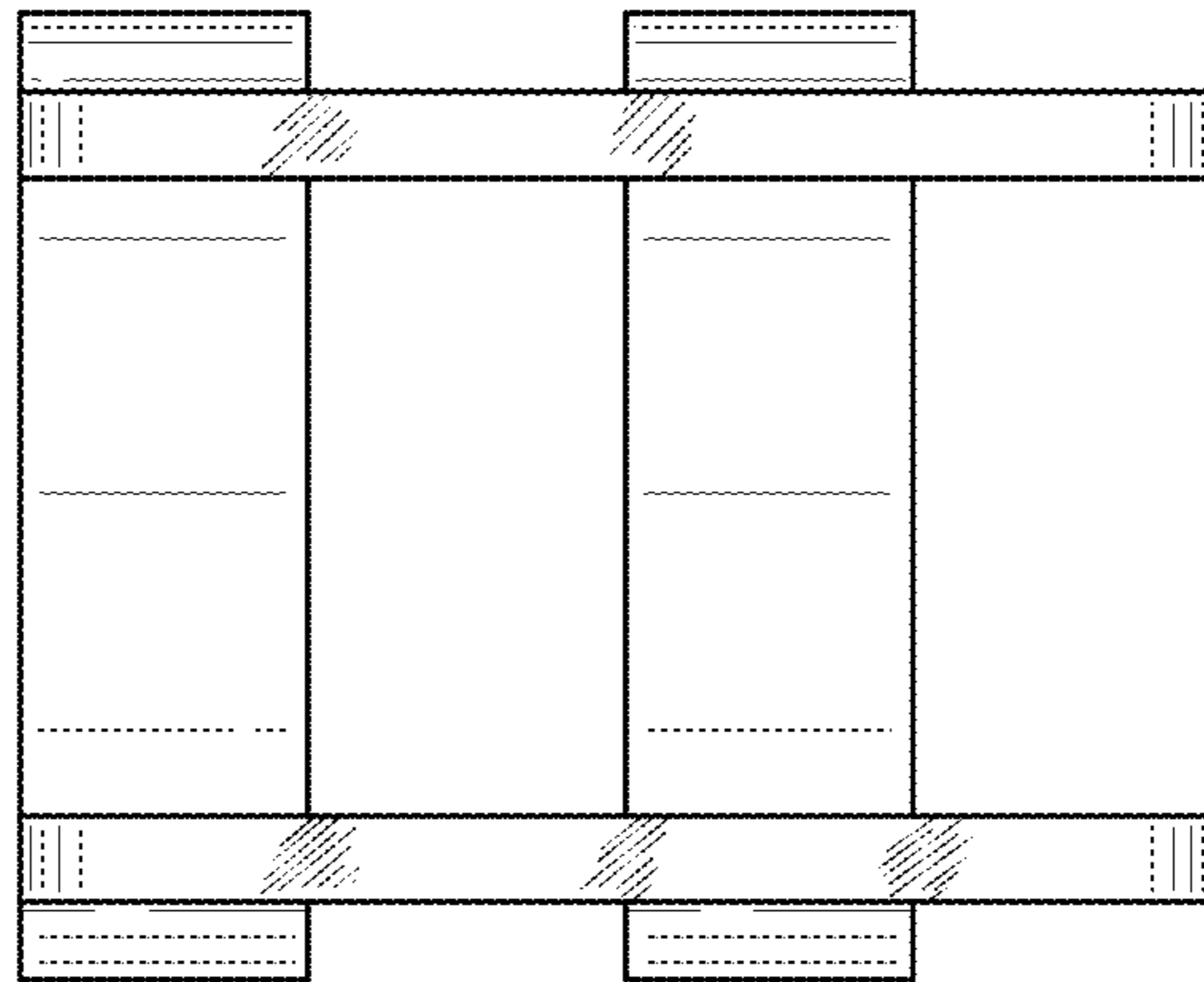


FIG. 6

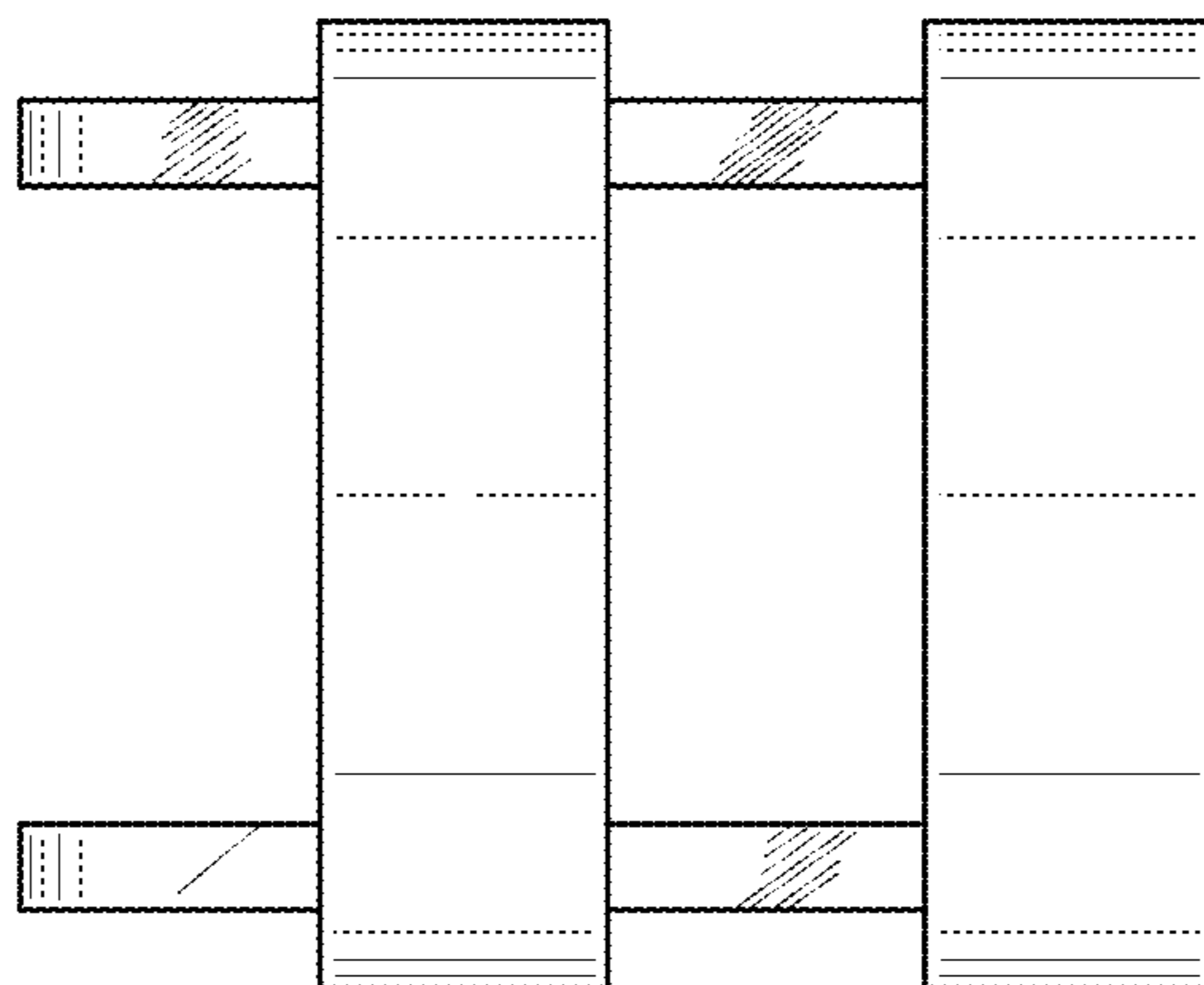


FIG. 7

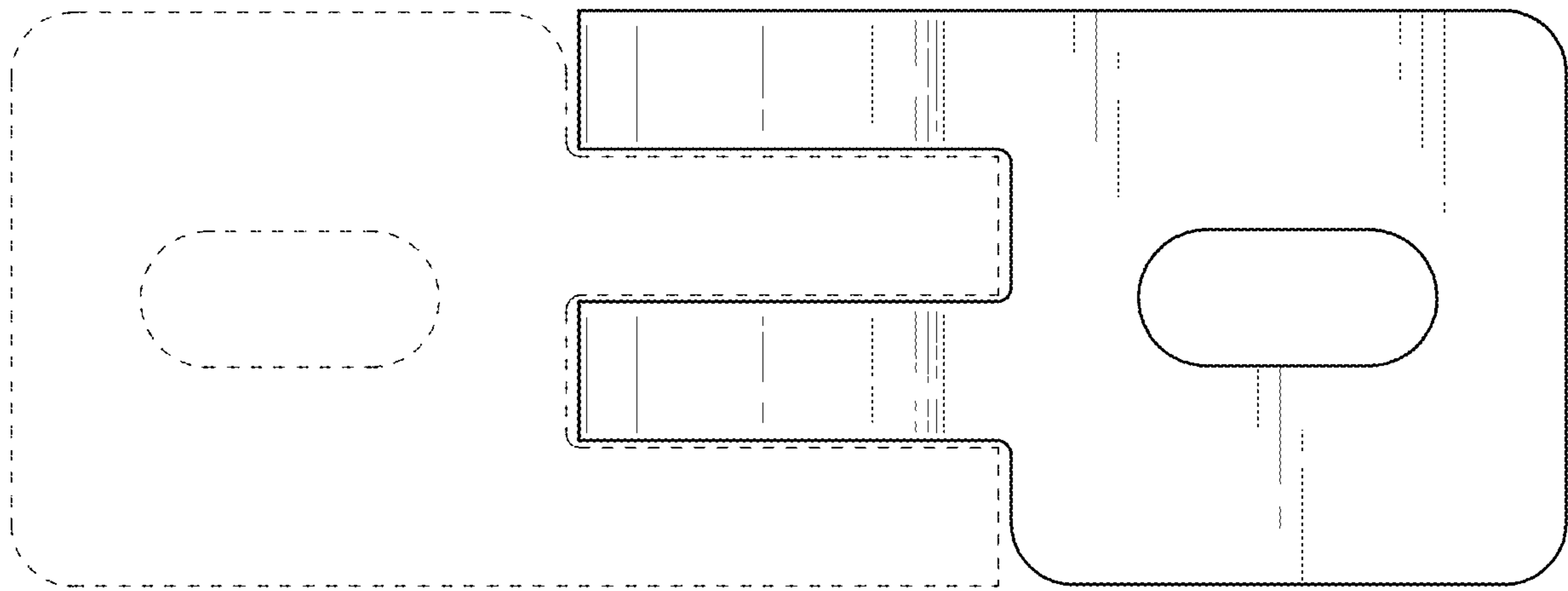


FIG. 8

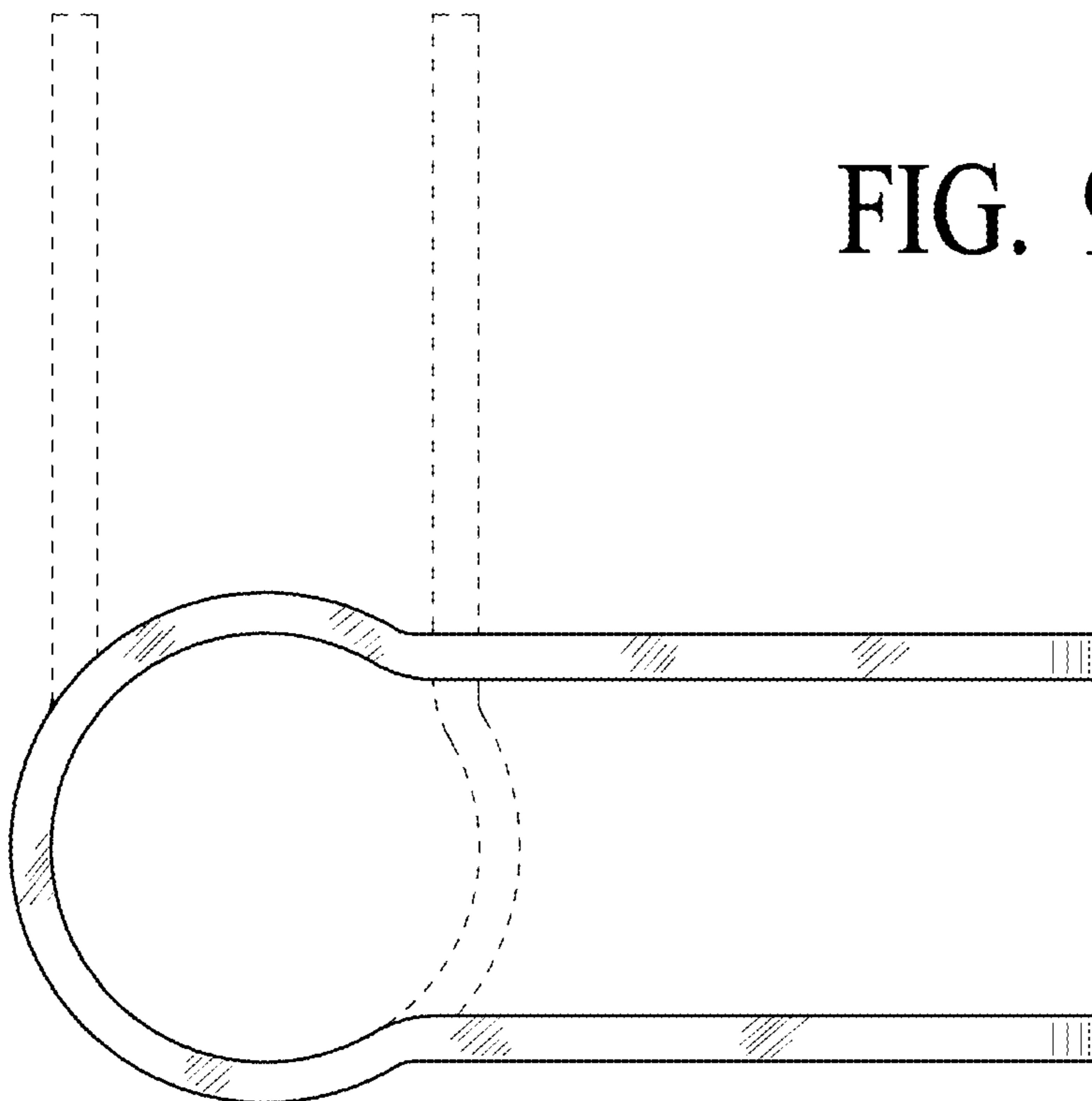


FIG. 9

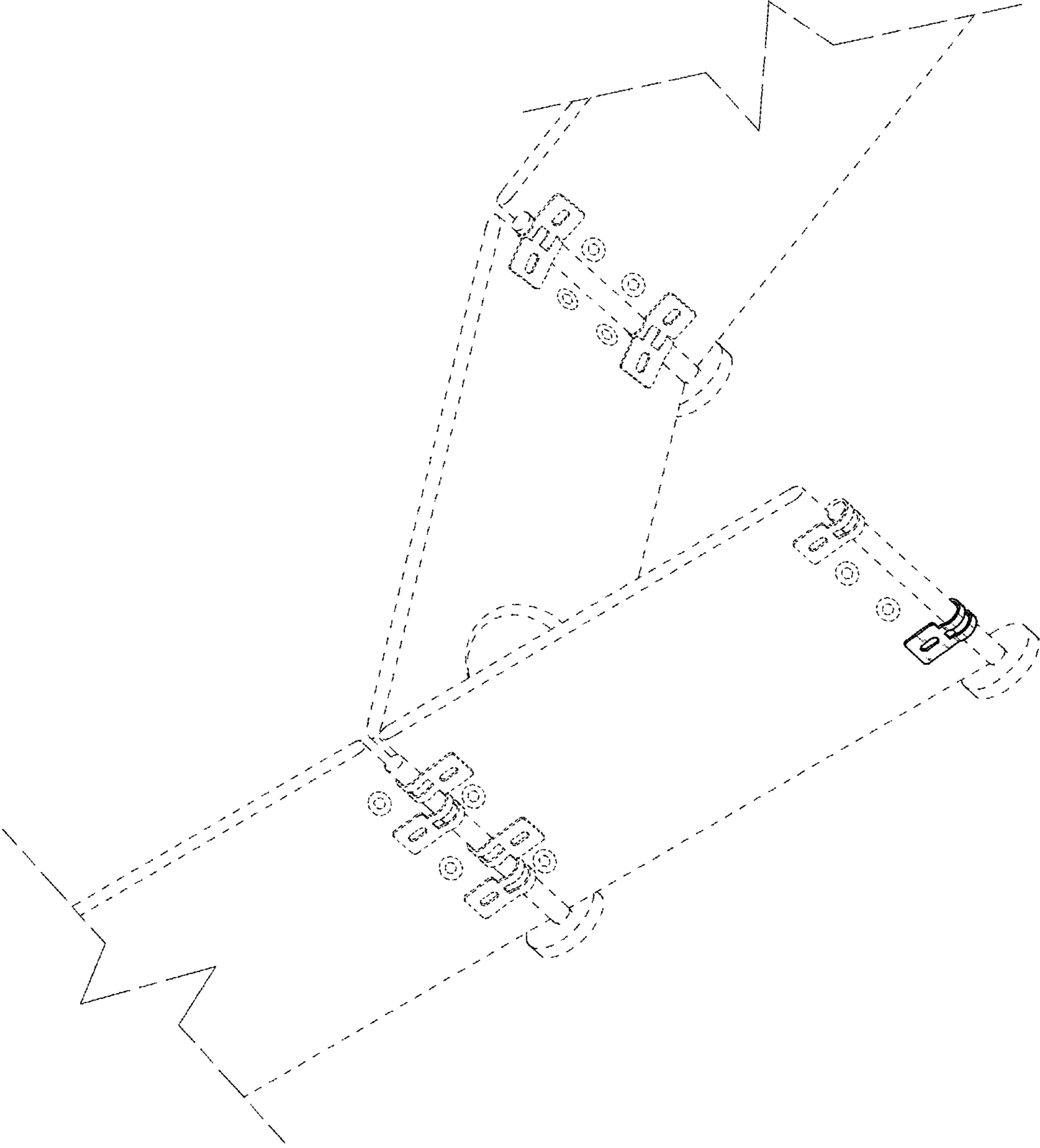


FIG. 10