



US00D899912S

(12) **United States Design Patent**  
**O'Halloran**

(10) **Patent No.:** **US D899,912 S**

(45) **Date of Patent:** **\*\* Oct. 27, 2020**

(54) **ARM FOR A CLAMP STORAGE SYSTEM**

D483,656 S \* 12/2003 Shea ..... D8/381  
D500,666 S \* 1/2005 Murphy ..... D8/354  
D502,387 S \* 3/2005 Hyakkoku ..... D8/354

(Continued)

(71) Applicant: **Woodpeckers, LLC**, Strongsville, OH  
(US)

*Primary Examiner* — John Windmuller

(72) Inventor: **Edward A. O'Halloran**, Elyria, OH  
(US)

(74) *Attorney, Agent, or Firm* — Sand, Sebolt & Wernow  
Co., LPA

(73) Assignee: **Woodpeckers, LLC**, Strongsville, OH  
(US)

(57) **CLAIM**

The ornamental design for an arm for a clamp storage system, as shown and described.

(\*\*) Term: **15 Years**

**DESCRIPTION**

(21) Appl. No.: **29/690,928**

FIG. 1 is a perspective view of an arm for a clamp storage system showing a first embodiment of my new design; FIG. 2 is a front end elevation view of the first embodiment; FIG. 3 is a rear end elevation view of the first embodiment; FIG. 4 is a top plan view of the first embodiment; FIG. 5 is a bottom plan view of the first embodiment; FIG. 6 is a first side elevation view of the first embodiment; FIG. 7 is a second side elevation view of the first embodiment; FIG. 8 is a perspective view of an arm for a clamp storage system showing a second embodiment of my new design; FIG. 9 is a front end elevation view of the second embodiment; FIG. 10 is a rear end elevation view of the second embodiment; FIG. 11 is a top plan view of the second embodiment; FIG. 12 is a bottom plan view of the second embodiment; FIG. 13 is a first side elevation view of the second embodiment; and, FIG. 14 is a second side elevation view of the second embodiment.

(22) Filed: **May 13, 2019**

(51) **LOC (12) Cl.** ..... **08-08**

(52) **U.S. Cl.**  
USPC ..... **D8/382**; D8/394

(58) **Field of Classification Search**  
USPC .... D8/356, 371, 382, 394–396; D19/65, 56;  
D25/58, 121, 122  
CPC . E04B 9/067; E04B 9/068; E04B 9/12; E04B  
9/18; E04B 9/30; E04B 2009/062; E04C  
2003/0413; E04C 2003/0439; E04C  
2003/046

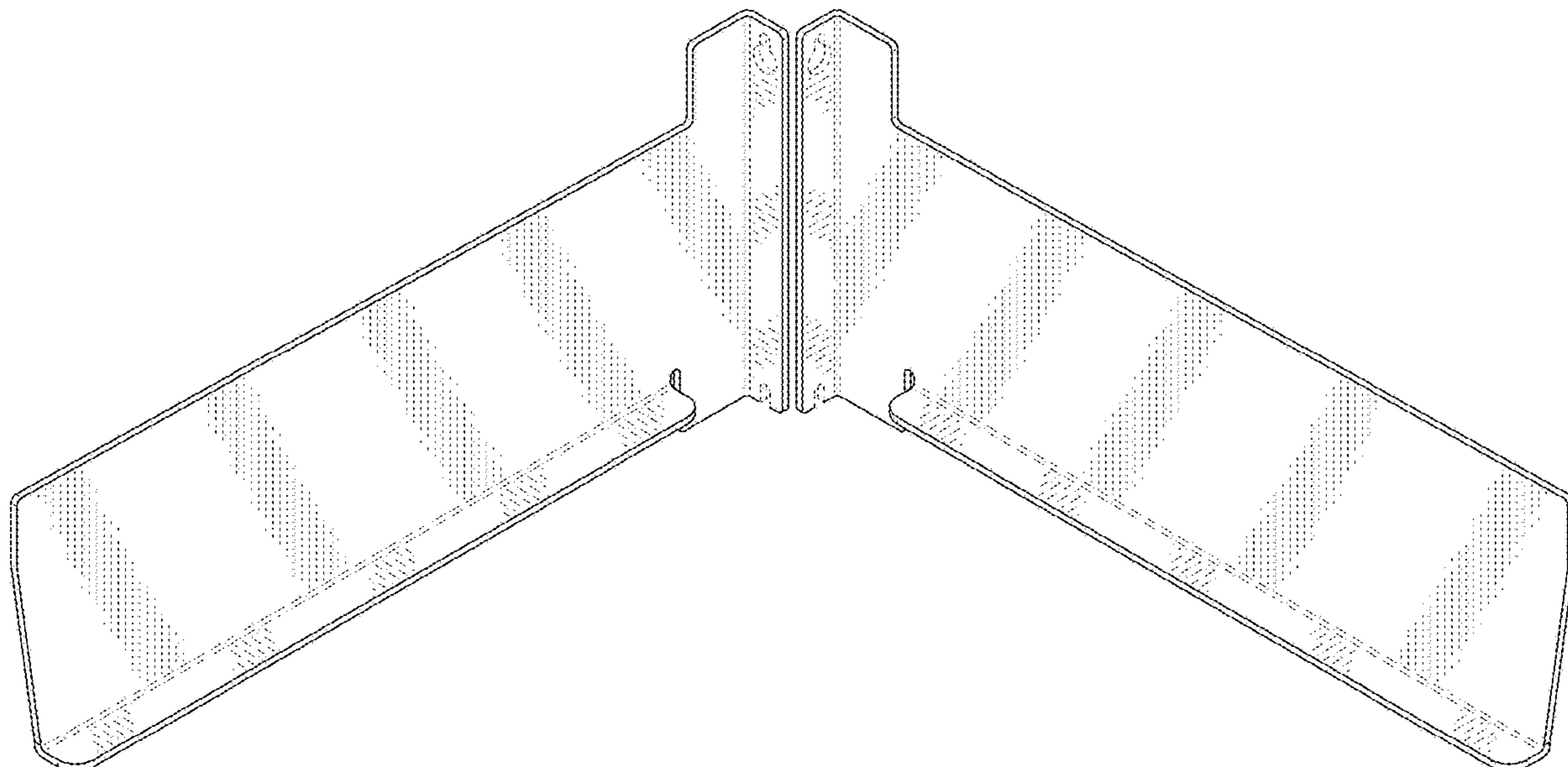
See application file for complete search history.

(56) **References Cited**

**U.S. PATENT DOCUMENTS**

D107,328 S \* 12/1937 Ullrich ..... D8/366  
D337,042 S \* 7/1993 Lin ..... D8/349  
D367,001 S \* 2/1996 Bright ..... D8/381  
D376,751 S \* 12/1996 Hanson ..... D12/162  
5,836,131 A \* 11/1998 Viola ..... E04B 1/2612  
52/702  
D422,483 S \* 4/2000 Shea ..... D8/354  
D439,558 S \* 3/2001 Potter ..... D12/223  
D478,804 S \* 8/2003 Titus ..... D8/363

**1 Claim, 8 Drawing Sheets**



(56)

**References Cited**

U.S. PATENT DOCUMENTS

D594,313	S	*	6/2009	Clarke	.....	D8/354
D595,122	S	*	6/2009	Clarke	.....	D8/368
D638,282	S	*	5/2011	Robinson	.....	D8/366
D646,955	S	*	10/2011	Sanders	.....	D8/354
D647,386	S	*	10/2011	Pelini	.....	D8/349
D649,026	S	*	11/2011	Kong	.....	D8/381
D654,063	S	*	2/2012	Sergi	.....	D14/238
D658,043	S	*	4/2012	Burr	.....	D6/575
D665,656	S	*	8/2012	Anzelmo	.....	D8/380
D679,174	S	*	4/2013	Nowak	.....	D8/381
D734,653	S	*	7/2015	Martin	.....	D8/349
D768,470	S	*	10/2016	Noturno	.....	D8/382
D789,179	S	*	6/2017	Minkovich	.....	D8/354
9,808,128	B2	*	11/2017	Minkovich	.....	A47K 3/30
D834,463	S	*	11/2018	Brunkhurst	.....	D12/159
D843,823	S	*	3/2019	Bouchard	.....	D8/382
D860,769	S	*	9/2019	Wokutch	.....	D8/380

\* cited by examiner

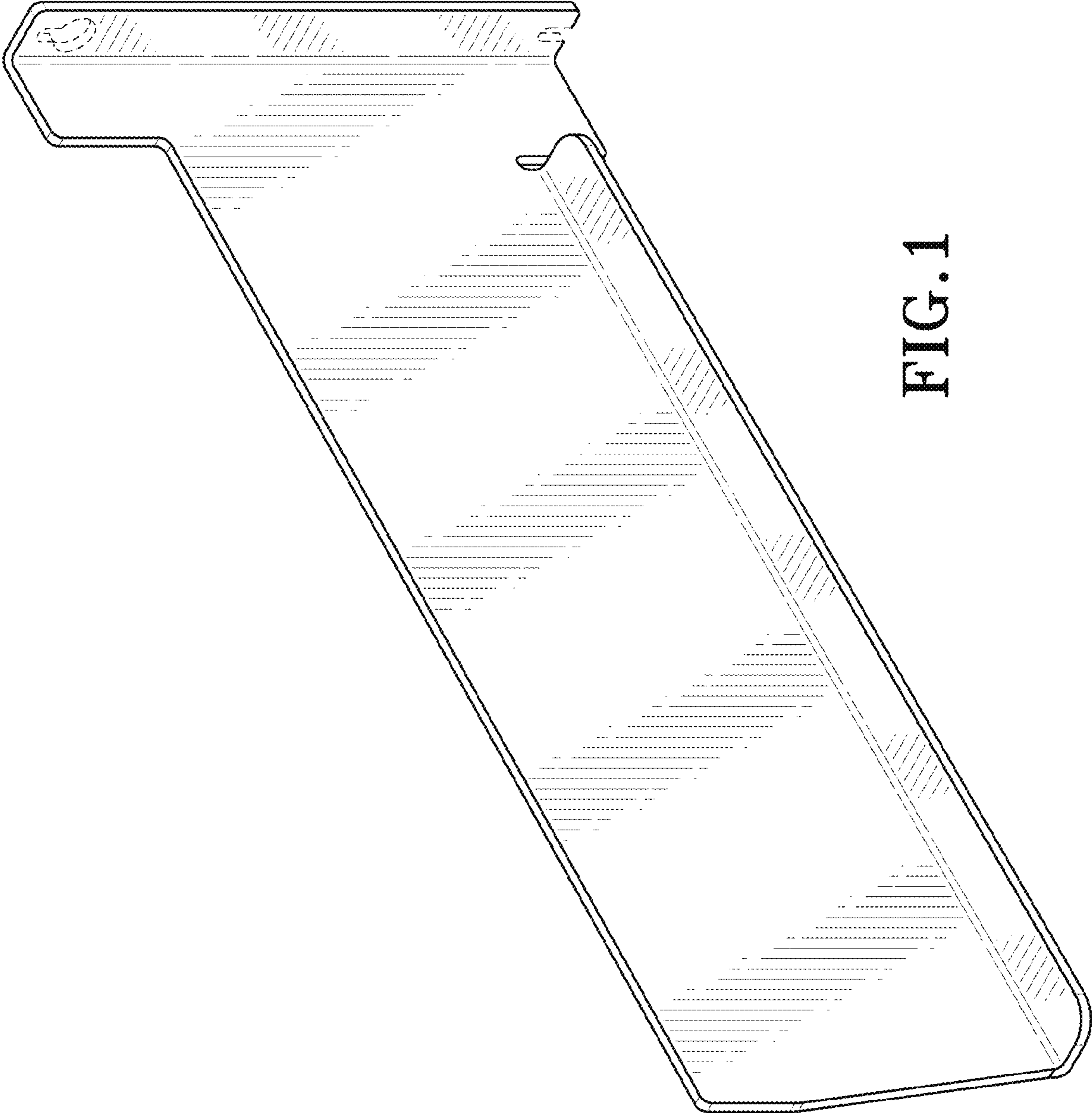


FIG. 1

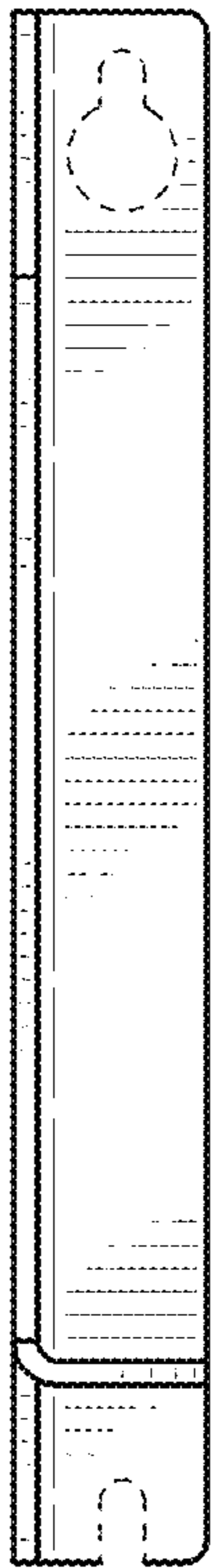


FIG. 2

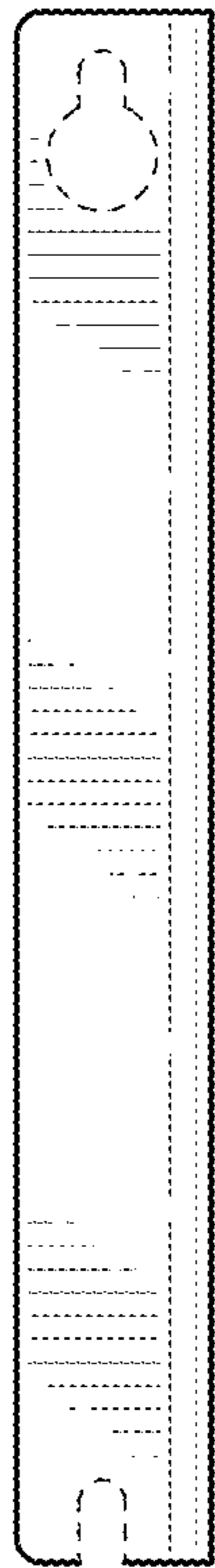


FIG. 3

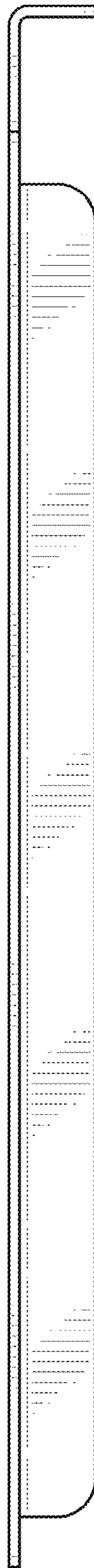


FIG. 4

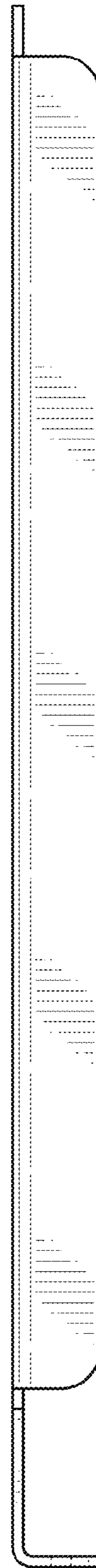


FIG. 5

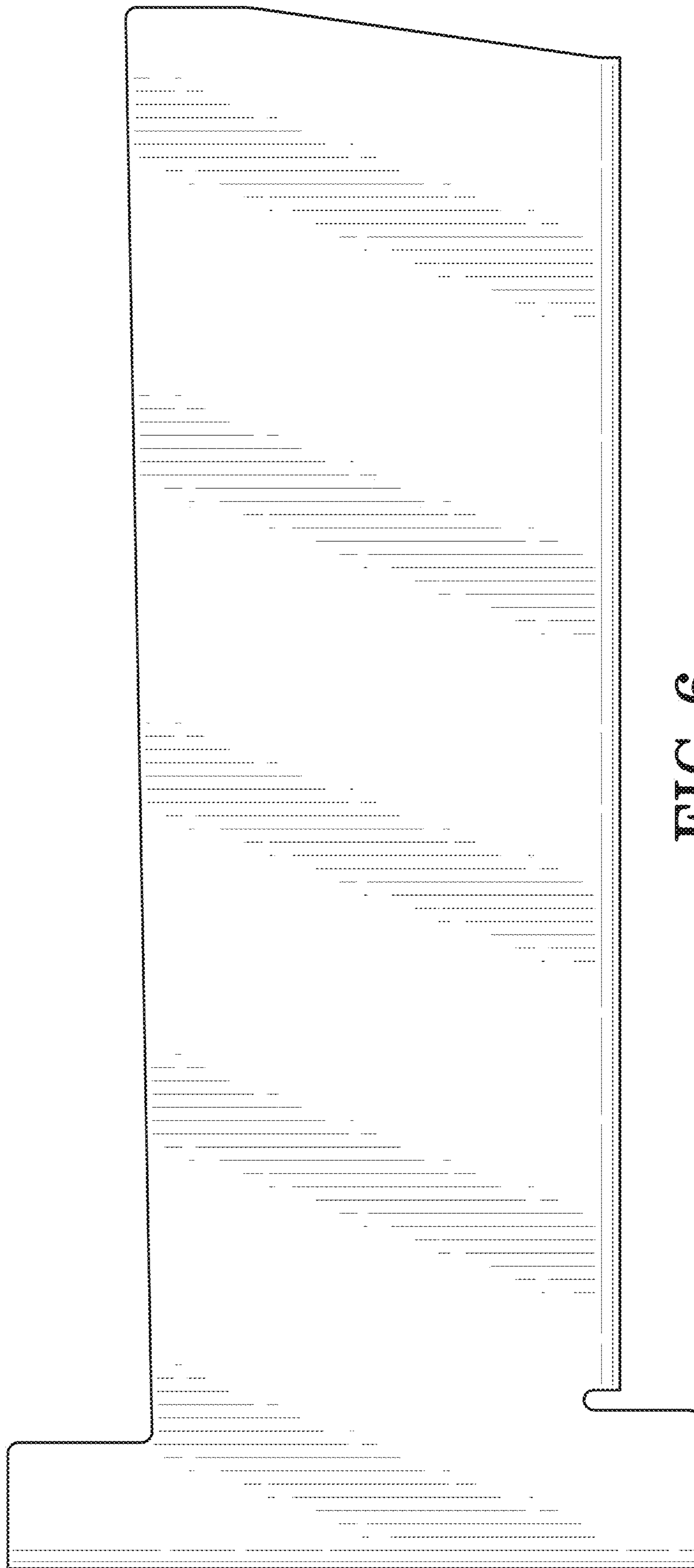


FIG. 6

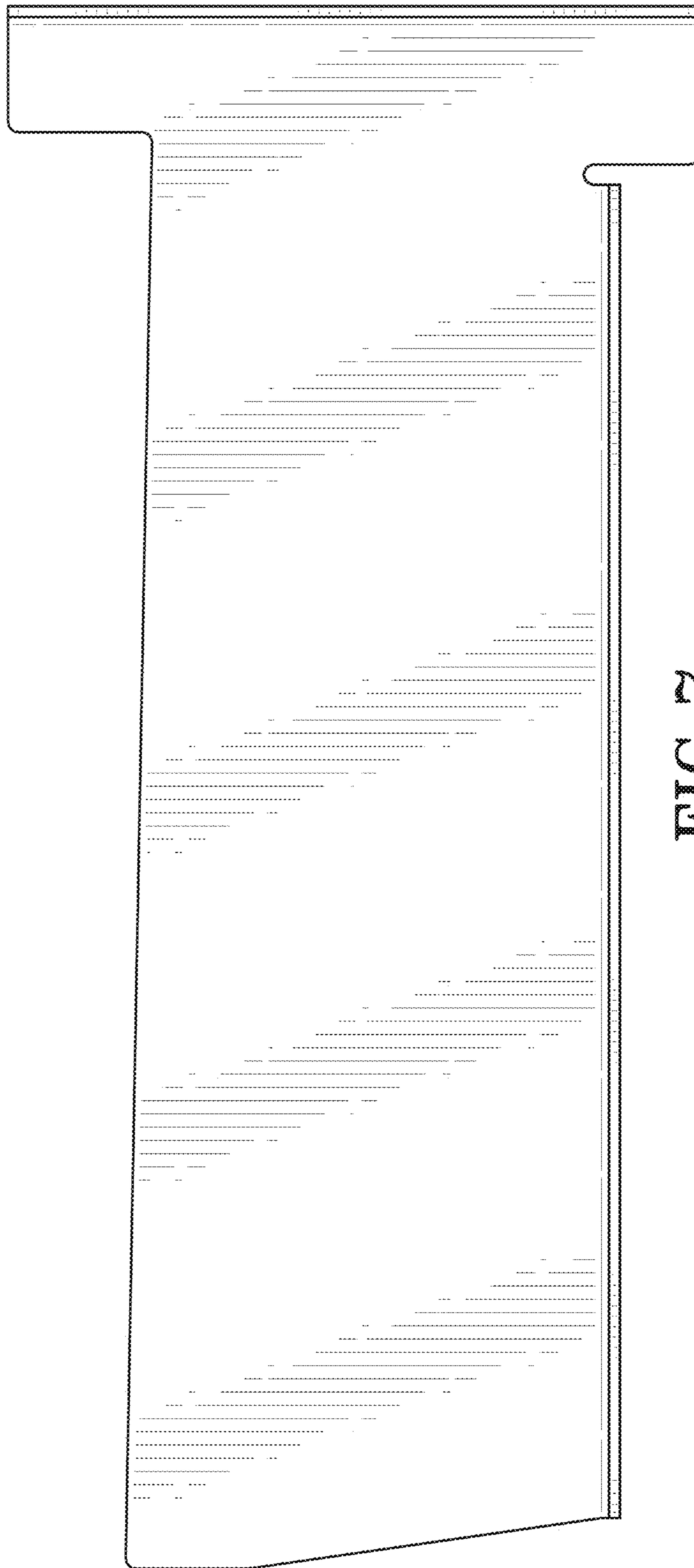


FIG. 7

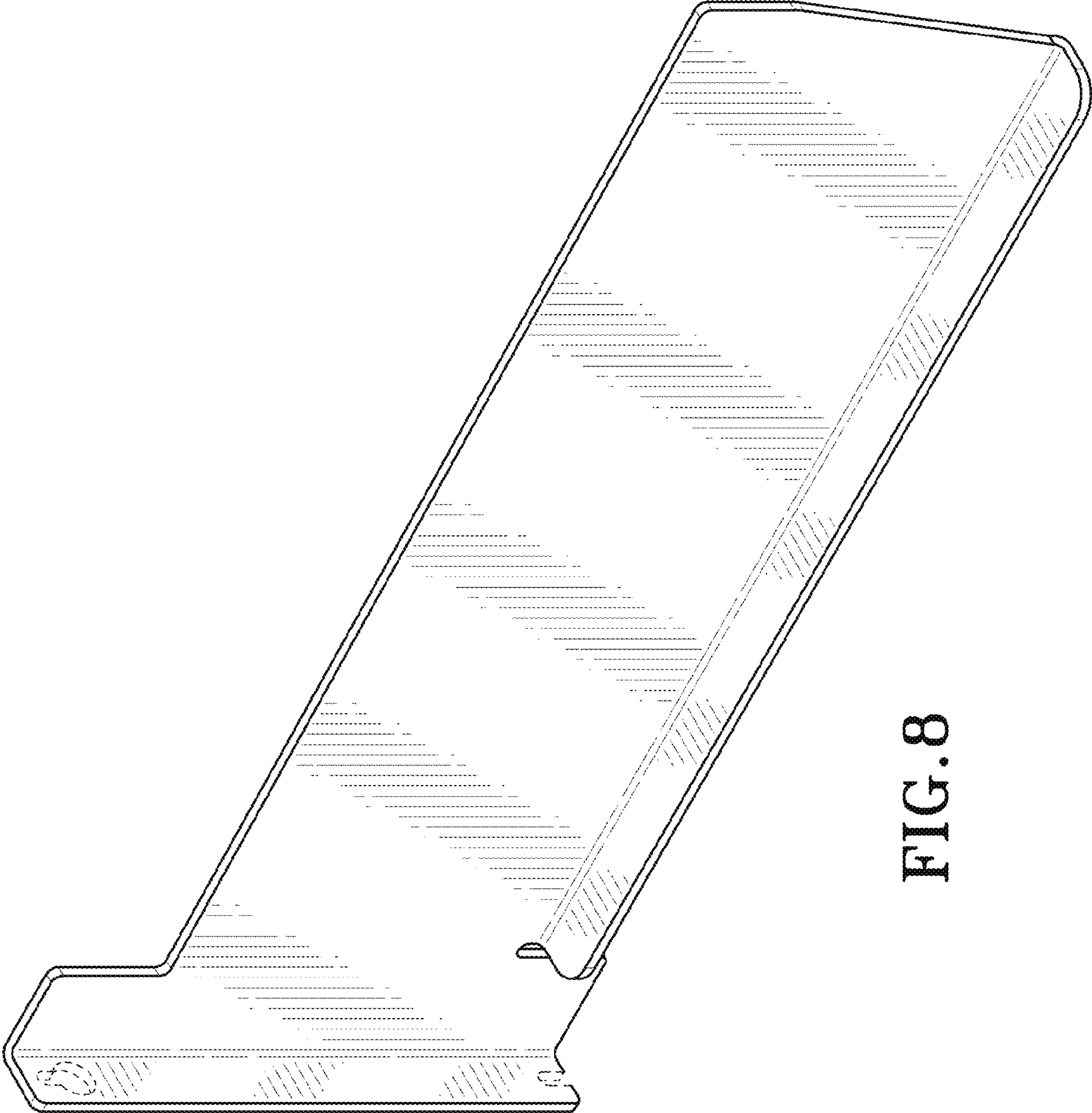


FIG. 8

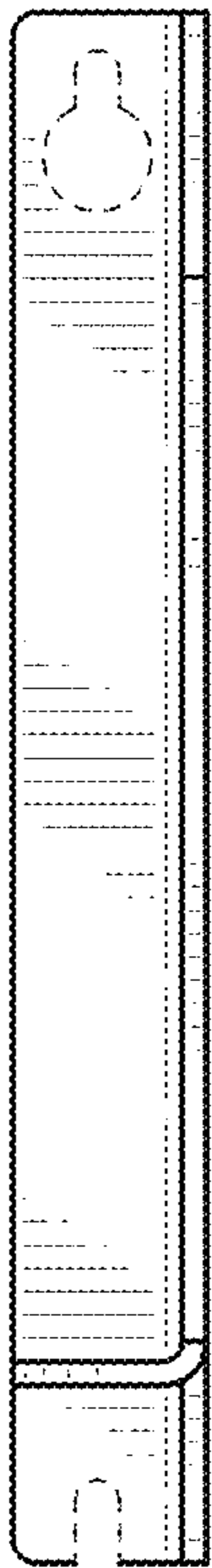


FIG. 9

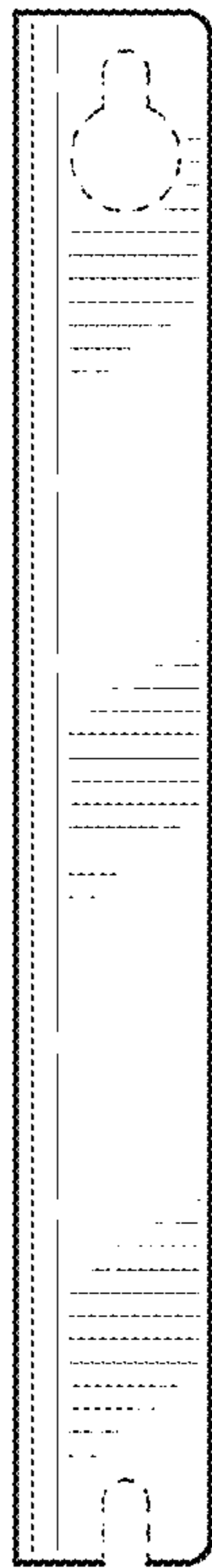


FIG. 10

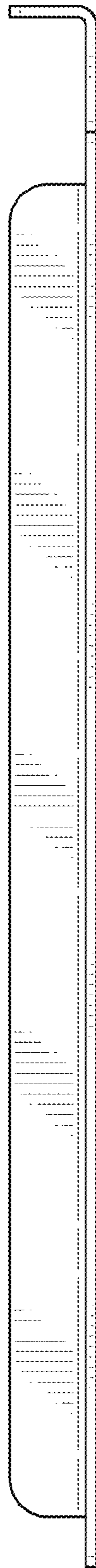


FIG. 11

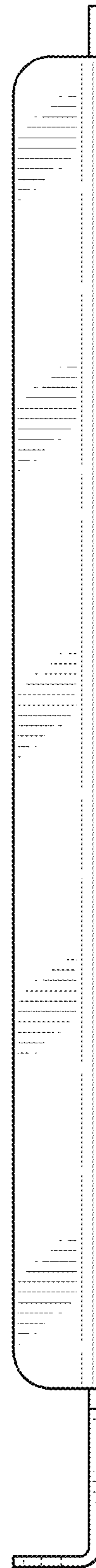


FIG. 12



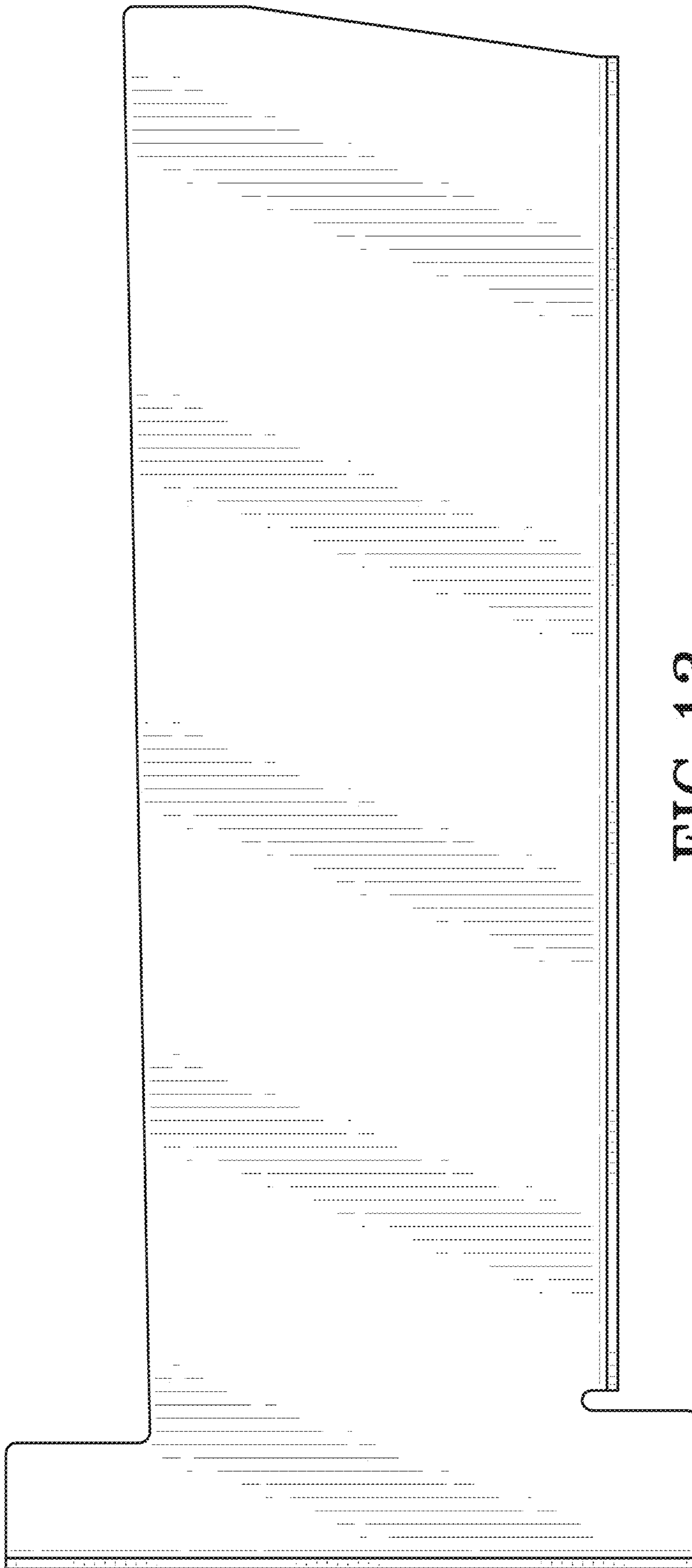


FIG. 13

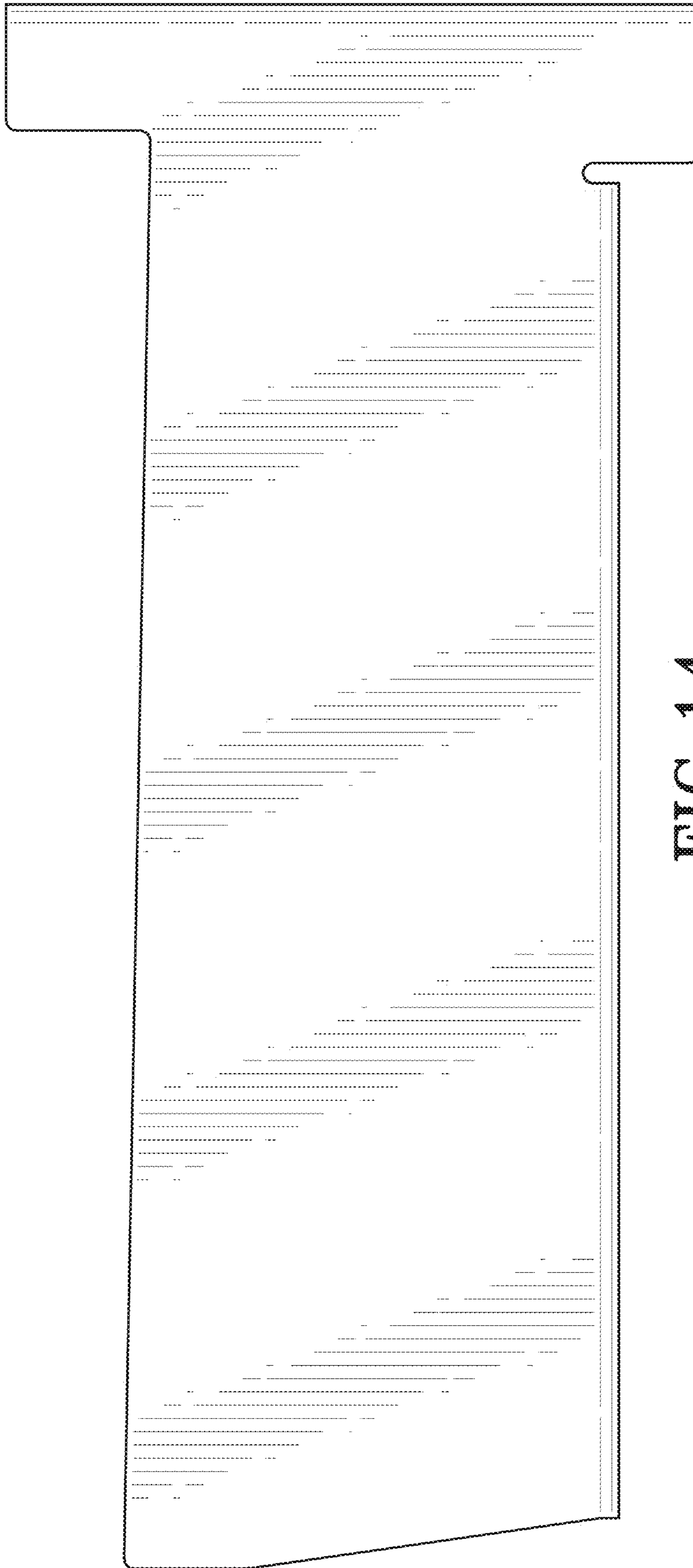


FIG. 14