

US00D899911S

(12) **United States Design Patent**
O'Halloran

(10) **Patent No.:** **US D899,911 S**

(45) **Date of Patent:** **** Oct. 27, 2020**

(54) **ARM FOR A CLAMP STORAGE SYSTEM**

(71) Applicant: **Woodpeckers, LLC**, Strongsville, OH
(US)

(72) Inventor: **Edward A. O'Halloran**, Elyria, OH
(US)

(73) Assignee: **Woodpeckers, LLC**, Strongsville, OH
(US)

(**) Term: **15 Years**

(21) Appl. No.: **29/690,921**

(22) Filed: **May 13, 2019**

(51) **LOC (12) Cl.** **08-08**

(52) **U.S. Cl.**
USPC **D8/382**; D8/394

(58) **Field of Classification Search**
USPC D8/356, 371, 382, 394-396; D19/65, 56;
D25/58, 121, 122
CPC . E04B 9/067; E04B 9/068; E04B 9/12; E04B
9/18; E04B 9/30; E04B 2009/062; E04C
2003/0413; E04C 2003/0439; E04C
2003/046

See application file for complete search history.

(56) **References Cited**

U.S. PATENT DOCUMENTS

D107,328 S *	12/1937	Ullrich	D8/366
D337,042 S *	7/1993	Lin	D8/349
D367,001 S *	2/1996	Bright	D8/381
D376,751 S *	12/1996	Hanson	D12/162
5,836,131 A *	11/1998	Viola	E04B 1/2612 52/702
D422,483 S *	4/2000	Shea	D8/354
D439,558 S *	3/2001	Potter	D12/223
D478,804 S *	8/2003	Titus	D8/363

D483,656 S *	12/2003	Shea	D8/381
D500,666 S *	1/2005	Murphy	D8/354
D502,387 S *	3/2005	Hyakkoku	D8/354

(Continued)

Primary Examiner — John Windmuller

(74) *Attorney, Agent, or Firm* — Sand, Sebolt & Wernow
Co., LPA

(57) **CLAIM**

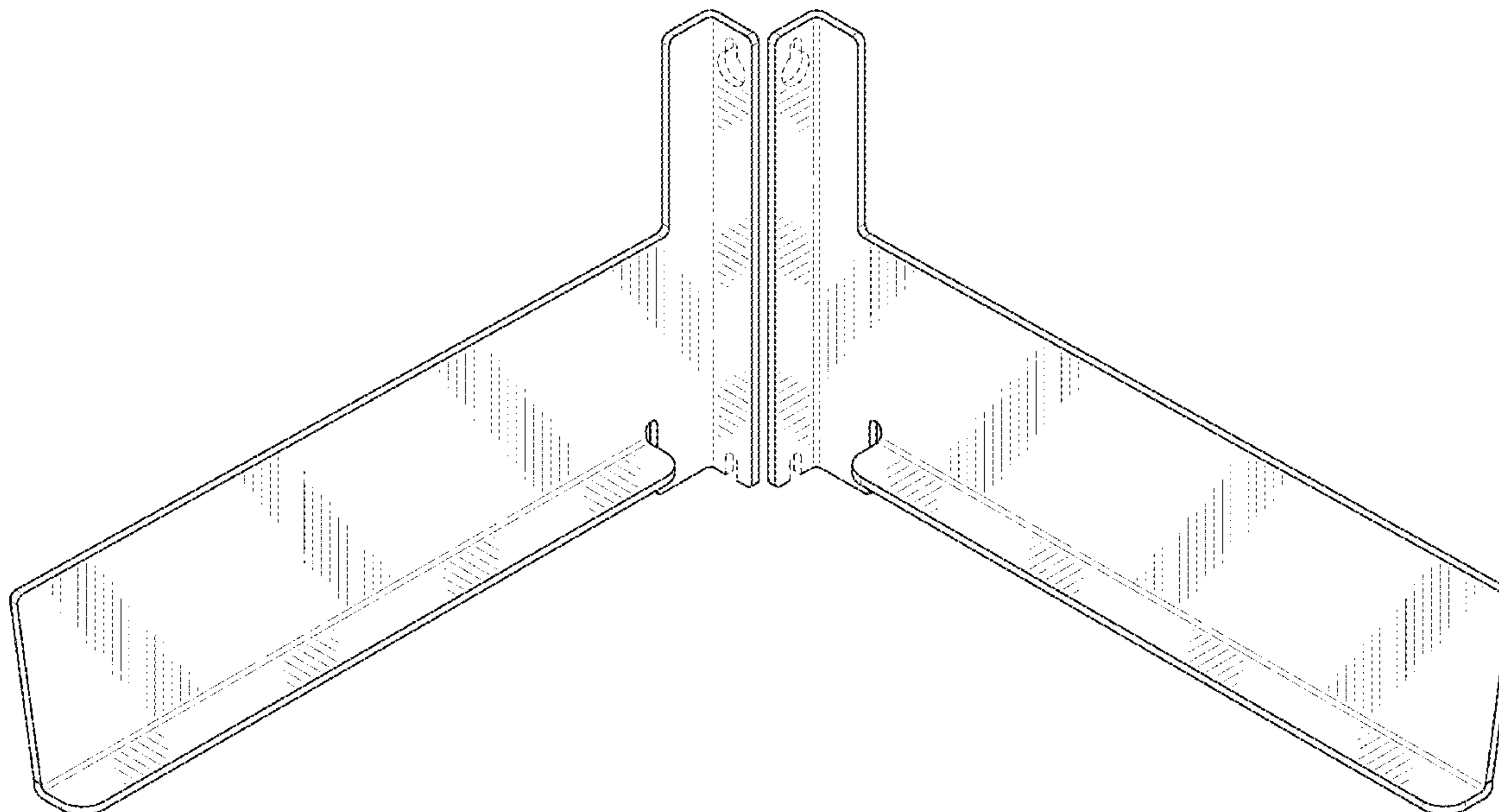
The ornamental design for an arm for a clamp storage system, as shown and described.

DESCRIPTION

FIG. 1 is a perspective view of an arm for a clamp storage system showing a first embodiment of my new design; FIG. 2 is a front end elevation view of the first embodiment; FIG. 3 is a rear end elevation view of the first embodiment; FIG. 4 is a top plan view of the first embodiment; FIG. 5 is a bottom plan view of the first embodiment; FIG. 6 is a first side elevation view of the first embodiment; FIG. 7 is a second side elevation view of the first embodiment; FIG. 8 is a perspective view of an arm for a clamp storage system showing a second embodiment of my new design; FIG. 9 is a front end elevation view of the second embodiment; FIG. 10 is a rear end elevation view of the second embodiment; FIG. 11 is a top plan view of the second embodiment; FIG. 12 is a bottom plan view of the second embodiment; FIG. 13 is a first side elevation view of the second embodiment; and, FIG. 14 is a second side elevation view of the second embodiment.

The broken lines in the figures depict portions of the arm for a clamp storage system that form no part of the claimed design.

1 Claim, 8 Drawing Sheets



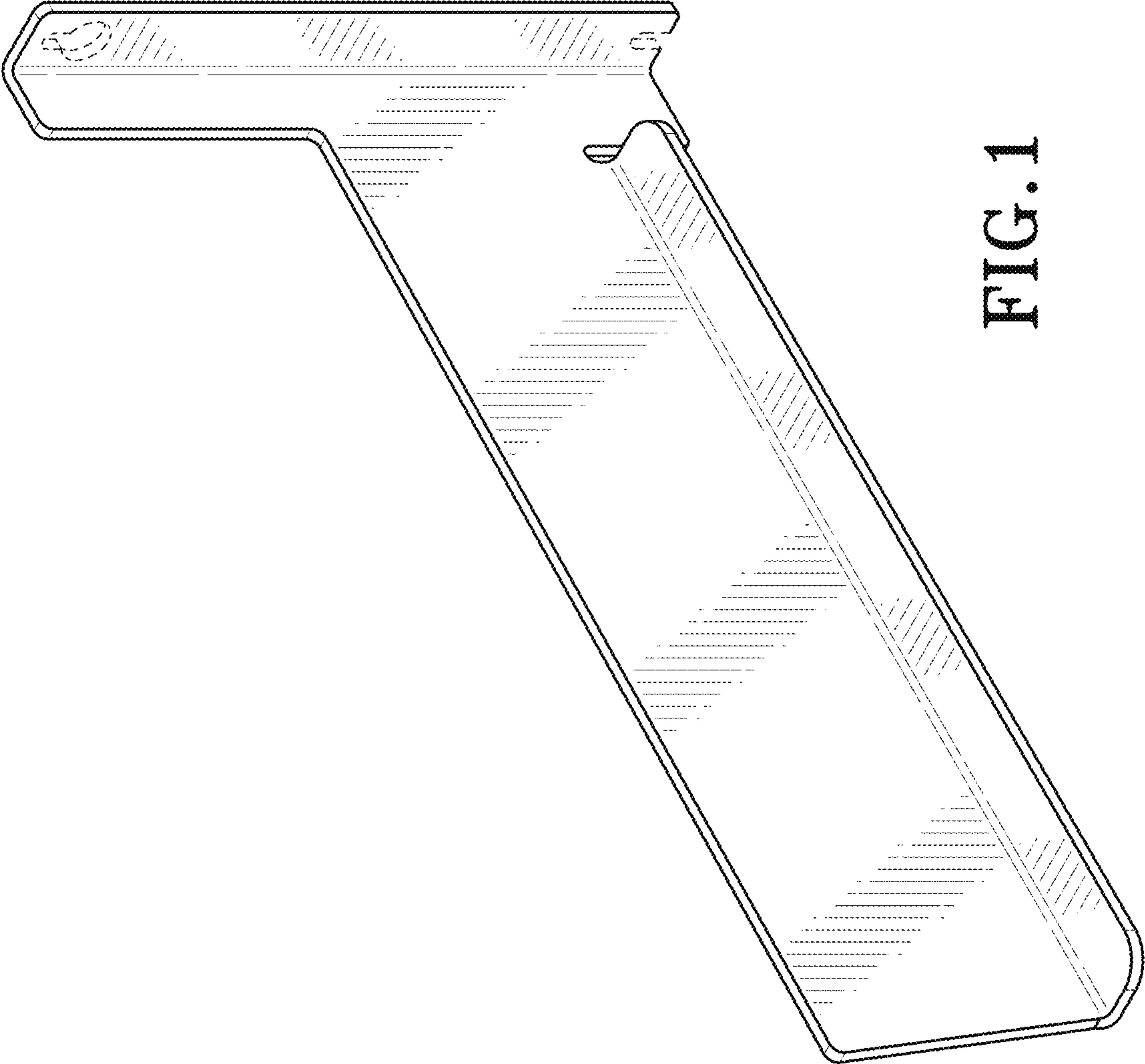
(56)

References Cited

U.S. PATENT DOCUMENTS

D594,313	S	*	6/2009	Clarke	D8/354
D595,122	S	*	6/2009	Clarke	D8/368
D638,282	S	*	5/2011	Robinson	D8/366
D646,955	S	*	10/2011	Sanders	D8/354
D647,386	S	*	10/2011	Pelini	D8/349
D649,026	S	*	11/2011	Kong	D8/381
D654,063	S	*	2/2012	Sergi	D14/238
D658,043	S	*	4/2012	Burr	D6/575
D665,656	S	*	8/2012	Anzelmo	D8/380
D679,174	S	*	4/2013	Nowak	D8/381
D734,653	S	*	7/2015	Martin	D8/349
D768,470	S	*	10/2016	Noturno	D8/382
D789,179	S	*	6/2017	Minkovich	D8/354
9,808,128	B2	*	11/2017	Minkovich	A47K 3/30
D834,463	S	*	11/2018	Brunkhurst	D12/159
D843,823	S	*	3/2019	Bouchard	D8/382
D860,769	S	*	9/2019	Wokutch	D8/380

* cited by examiner



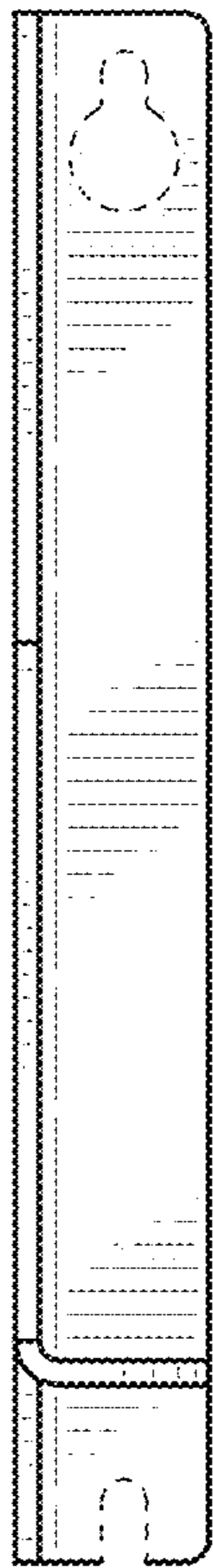


FIG. 2

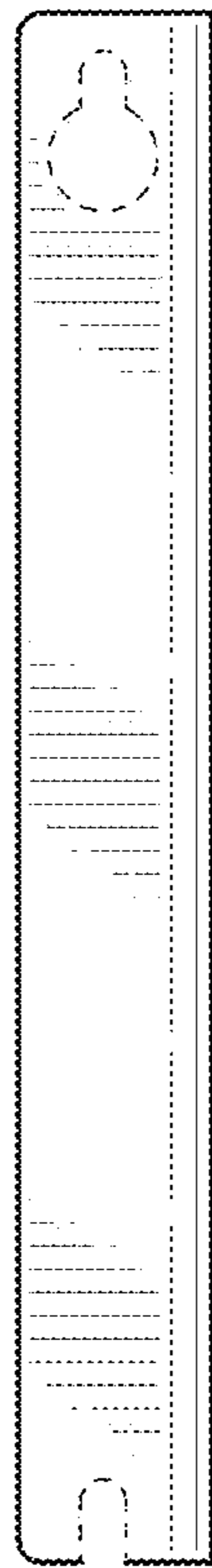


FIG. 3

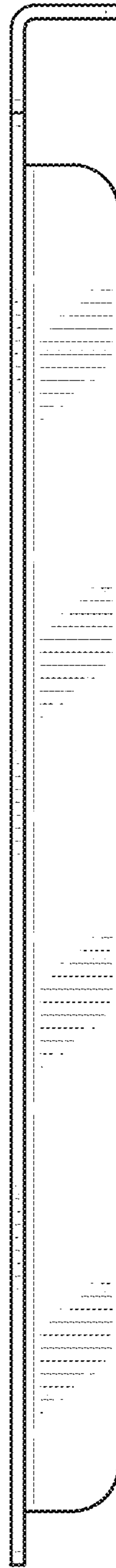


FIG. 4

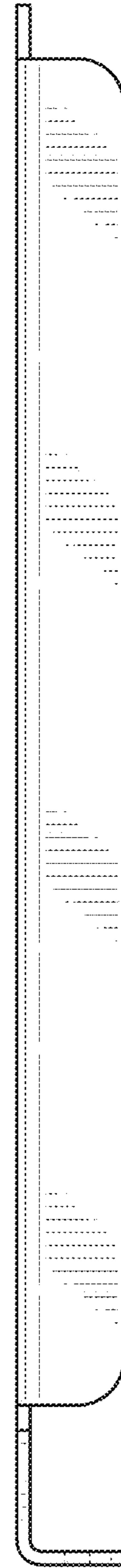


FIG. 5



FIG. 6

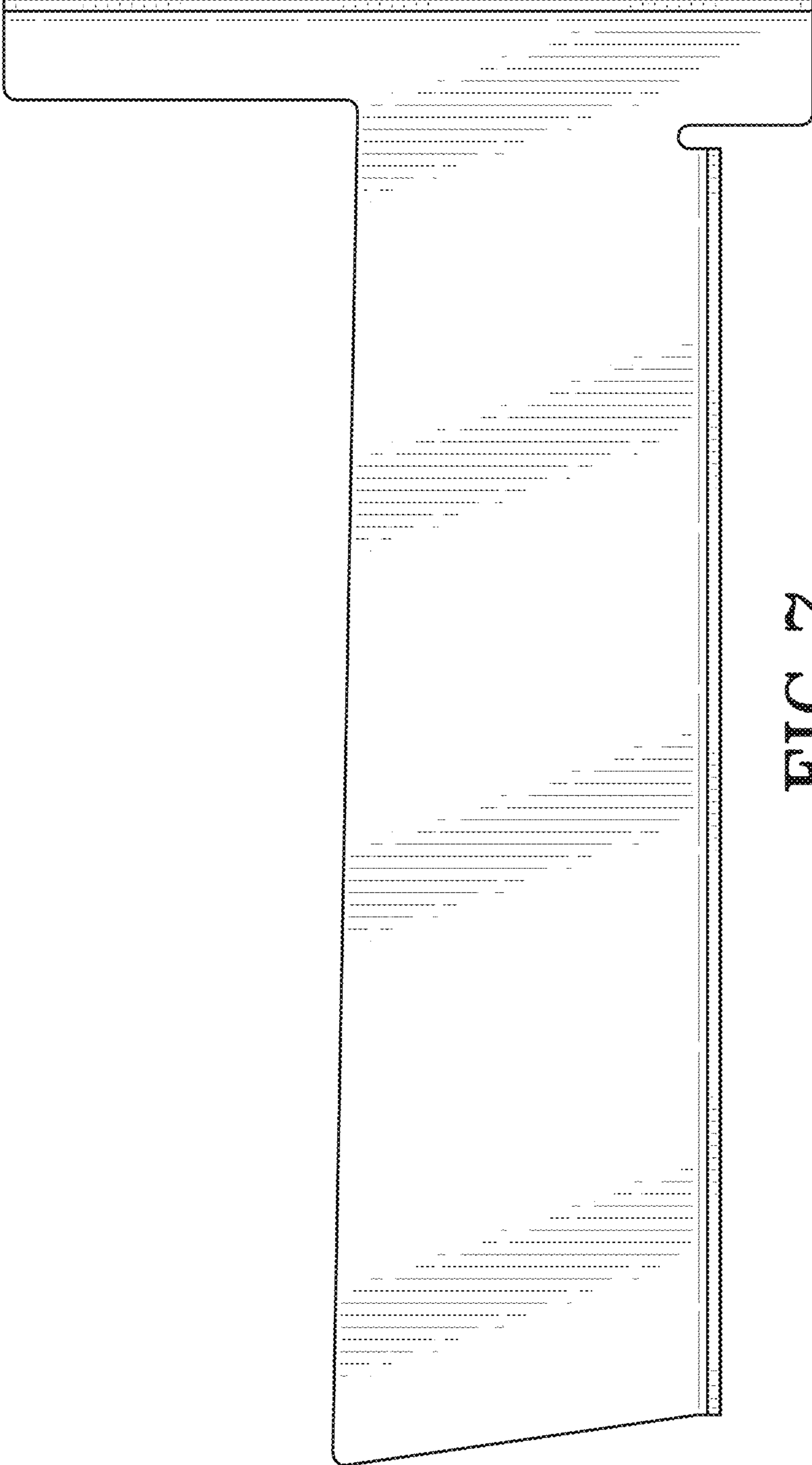


FIG. 7

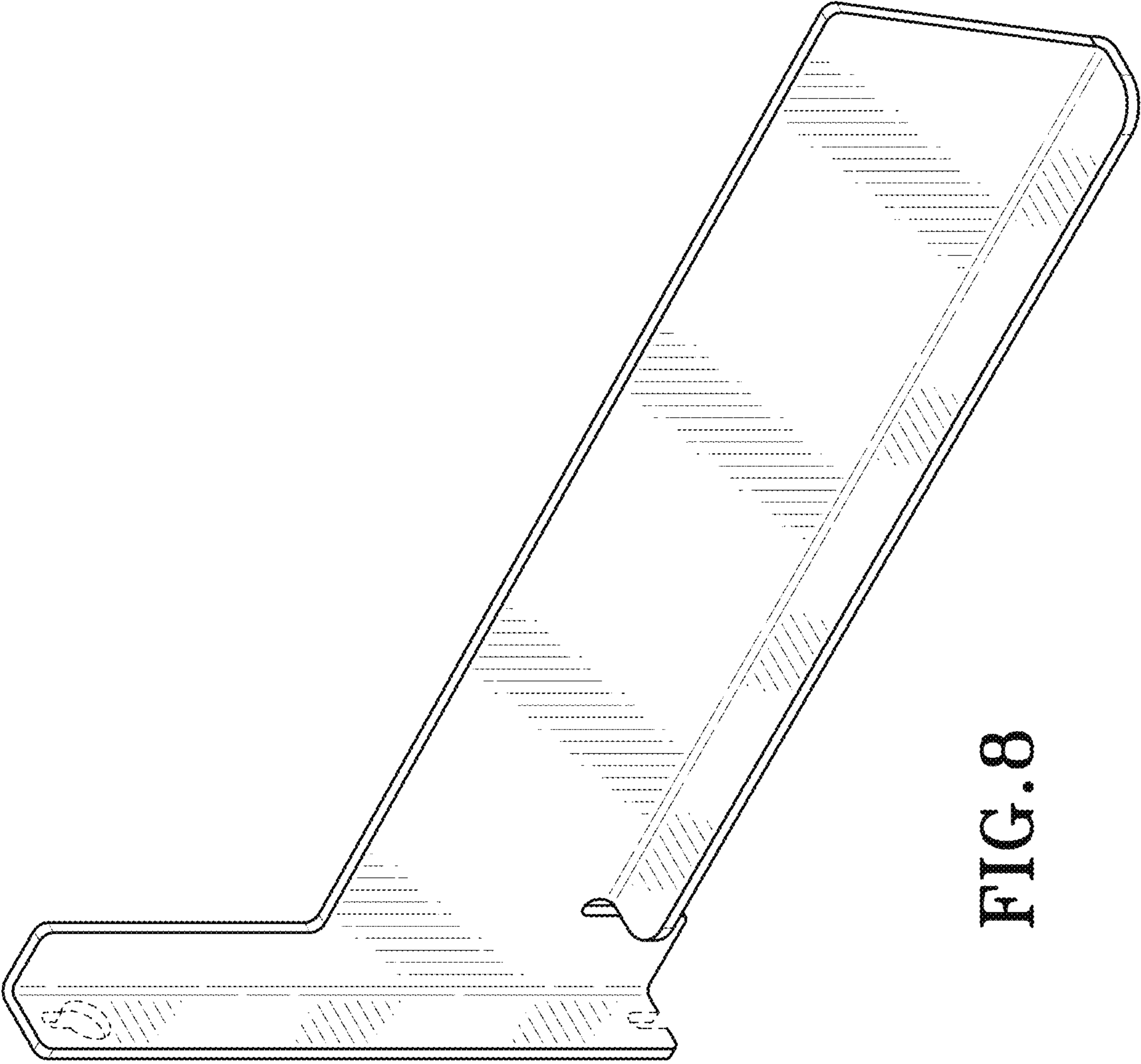


FIG. 8

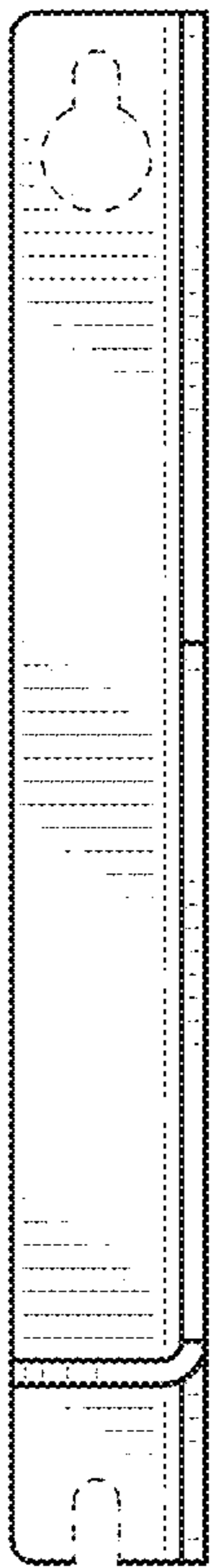


FIG. 9



FIG. 10

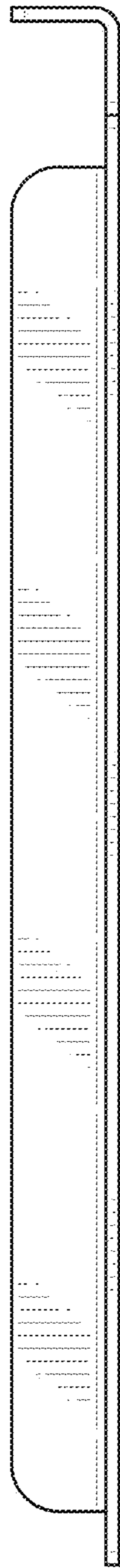


FIG. 11

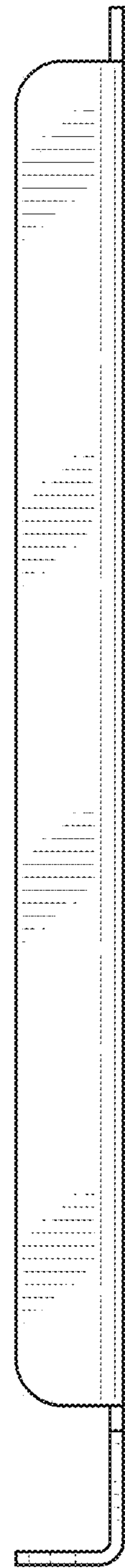


FIG. 12

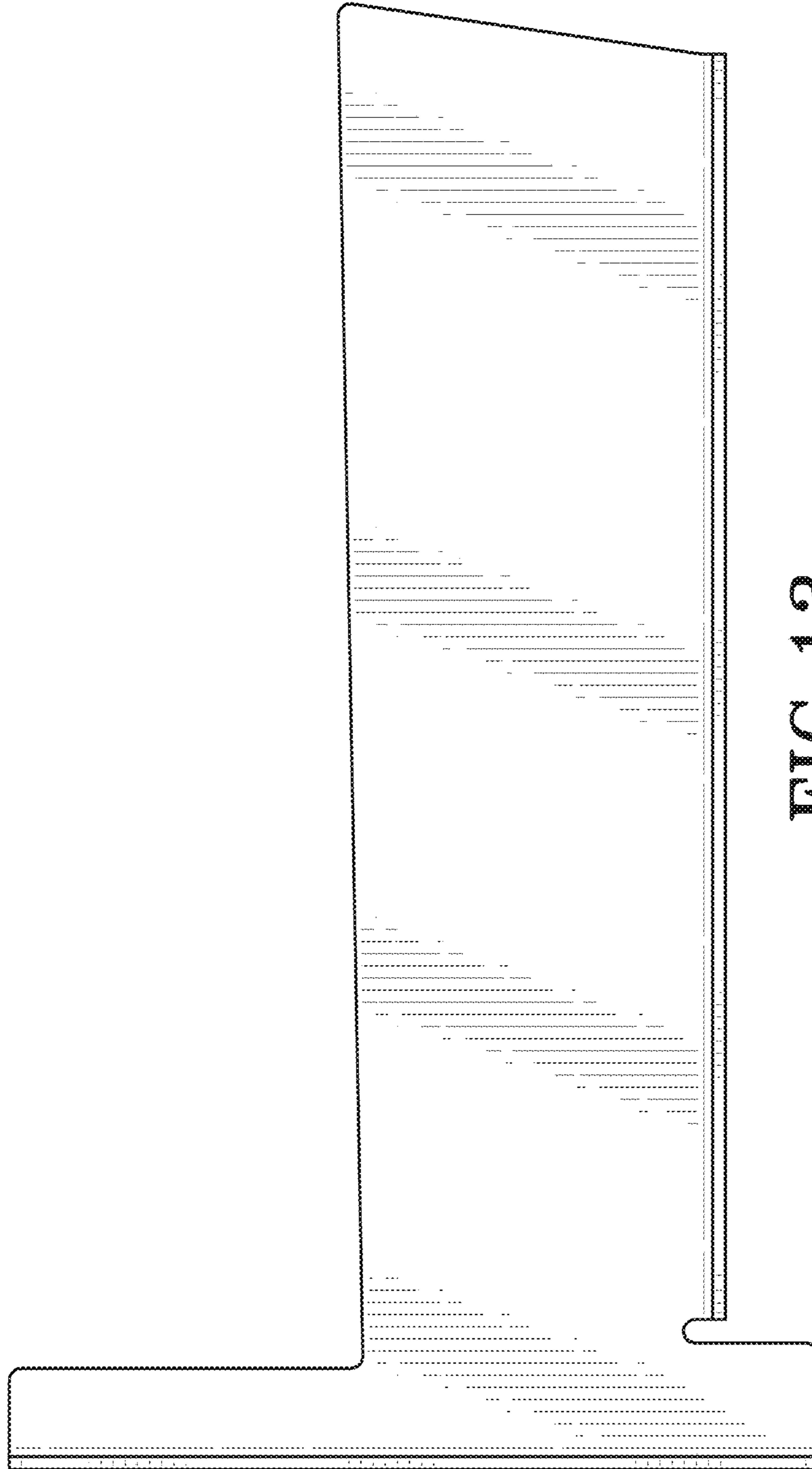


FIG. 13



FIG. 14