



US00D899910S

(12) **United States Design Patent** (10) **Patent No.:** **US D899,910 S**  
**Foley et al.** (45) **Date of Patent:** **\*\* Oct. 27, 2020**

(54) **BEAM BRACKET RECEIVER**  
(71) Applicant: **AdvanConn, LLC**, Harveysburg, OH (US)  
(72) Inventors: **Robert P. Foley**, New Albany, OH (US); **Terry J. Tincher**, Oregonia, OH (US)  
(73) Assignee: **AdvanConn, LLC**, Harveysburg, OH (US)

8,365,484 B2 \* 2/2013 Foley ..... E04B 1/4114  
403/403  
D699,549 S \* 2/2014 Giessmann ..... D8/380  
2011/0107711 A1 \* 5/2011 Foley ..... E04B 1/4114  
52/655.1  
2011/0107716 A1 \* 5/2011 Foley ..... E04B 1/4114  
52/699  
2011/0138735 A1 \* 6/2011 Foley ..... E04B 1/4114  
52/699  
2018/0347179 A1 \* 12/2018 Kelly ..... E04B 1/043

(\*\*) Term: **15 Years**

(21) Appl. No.: **29/693,817**

(22) Filed: **Jun. 5, 2019**

(51) **LOC (12) Cl.** ..... **25-01**

(52) **U.S. Cl.**  
USPC ..... **D8/380**; D25/199

(58) **Field of Classification Search**  
USPC ..... D8/349, 350, 354, 380, 381, 394, 404;  
D25/102, 133, 199  
CPC ..... E04B 1/4114; E04B 1/2403; E04B  
2001/2409; E04B 2001/2415; E04B  
2001/2421; Y10T 403/73  
See application file for complete search history.

(56) **References Cited**

**U.S. PATENT DOCUMENTS**

D263,280 S \* 3/1982 Mareydt ..... D12/414  
6,494,639 B1 \* 12/2002 Friend ..... E04B 1/043  
403/403  
D627,211 S \* 11/2010 Hikoyama ..... D8/380  
D627,212 S \* 11/2010 Hikoyama ..... D8/380

**OTHER PUBLICATIONS**

Structural Thermal Break Canopy & Beam Applications Schock North America <https://www.schock-na.com/en-us/canopy-beam> Available Sep. 5, 2018 (Year: 2018).\*

\* cited by examiner

*Primary Examiner* — Leanne Was-Englehart  
(74) *Attorney, Agent, or Firm* — Jacox, Meckstroth & Jenkins

(57) **CLAIM**

The ornamental design of a beam bracket receiver, as shown and described.

**DESCRIPTION**

FIG. 1 is a perspective view of a beam bracket receiver showing our new design;  
FIG. 2 is a front view thereof;  
FIG. 3 is a top view thereof;  
FIG. 4 is a bottom view thereof;  
FIG. 5 is a side view thereof;  
FIG. 6 is an opposite side view thereof, and,  
FIG. 7 is a rear view thereof.

**1 Claim, 2 Drawing Sheets**

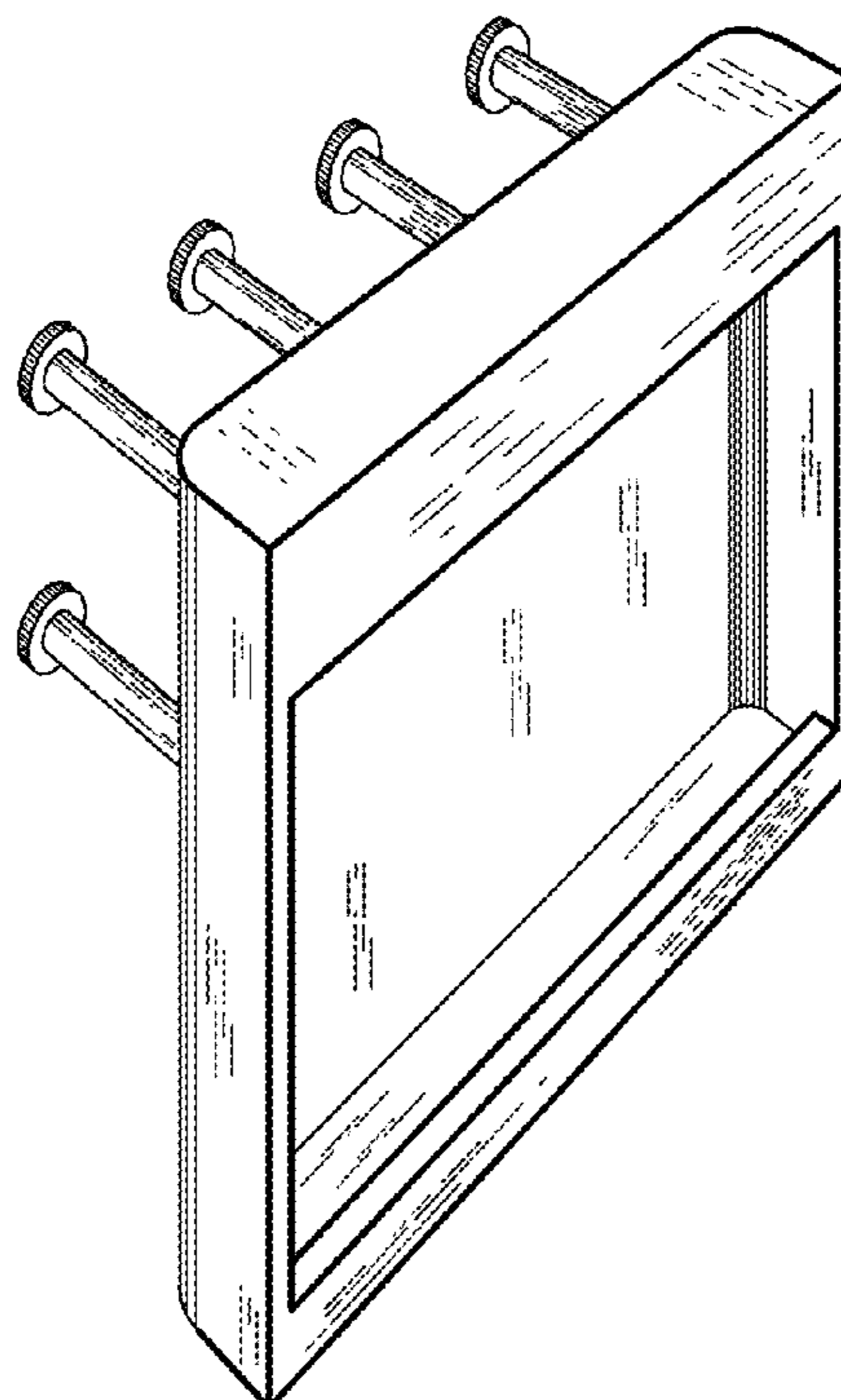


FIG. 1

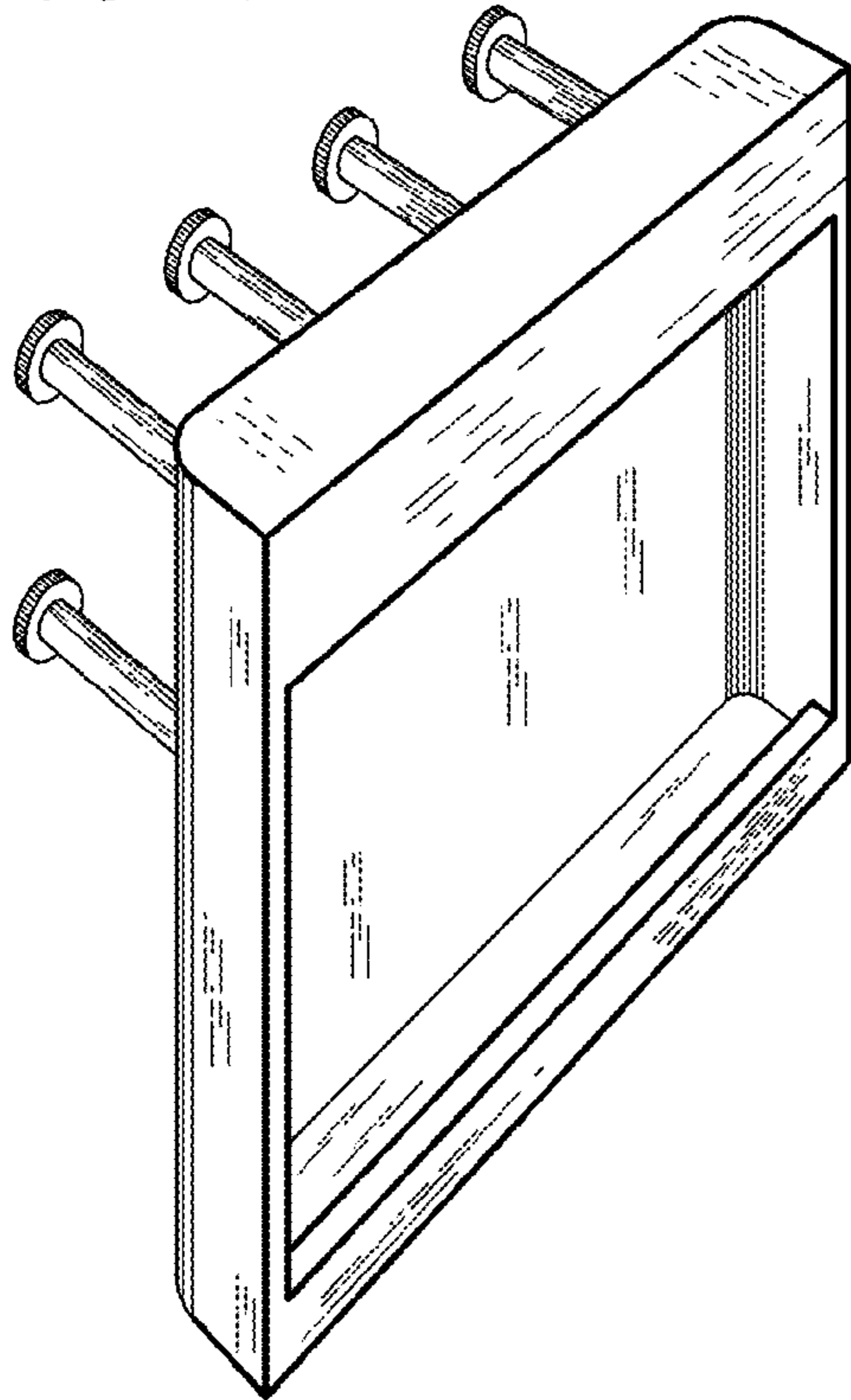


FIG. 2

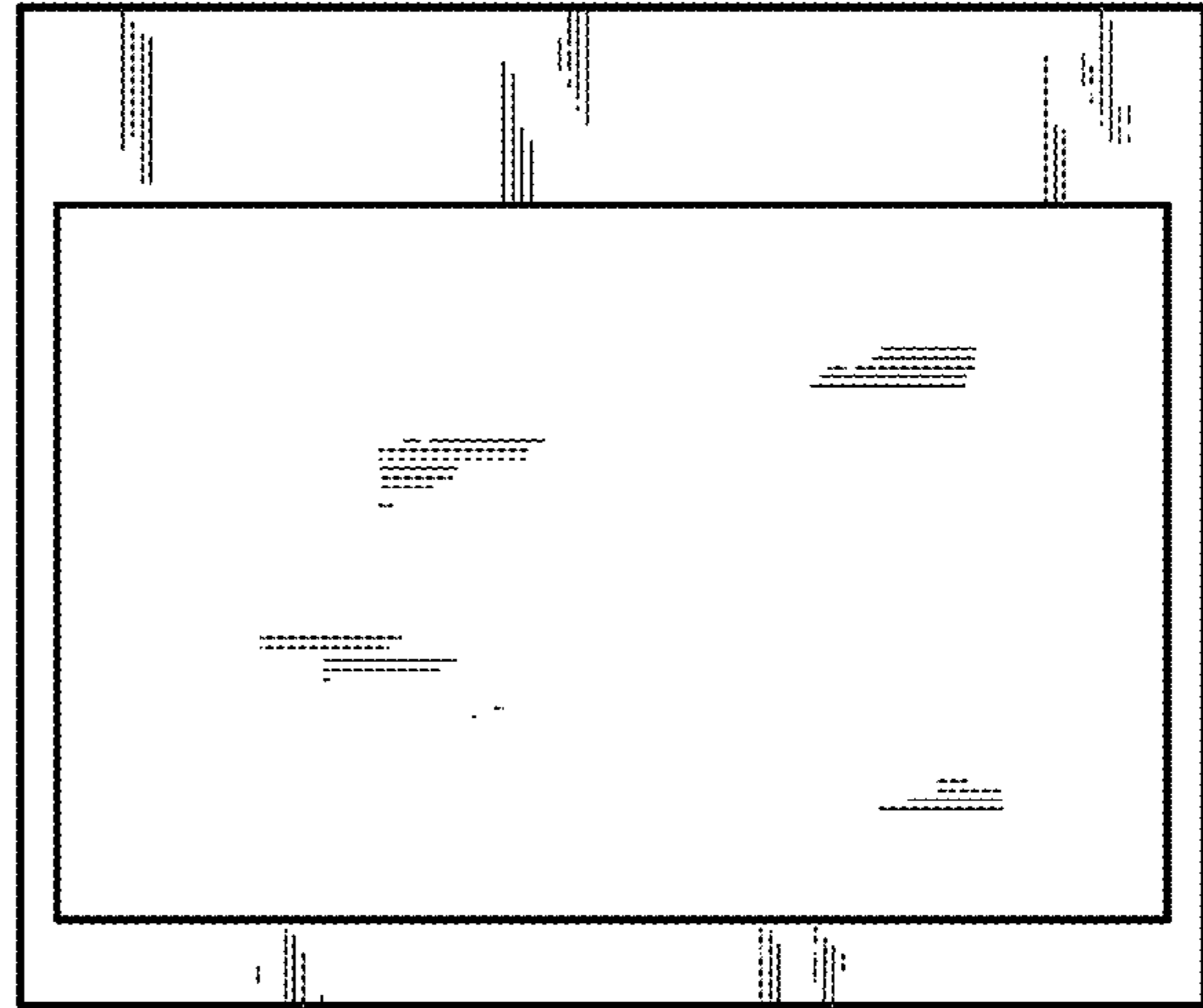


FIG. 3

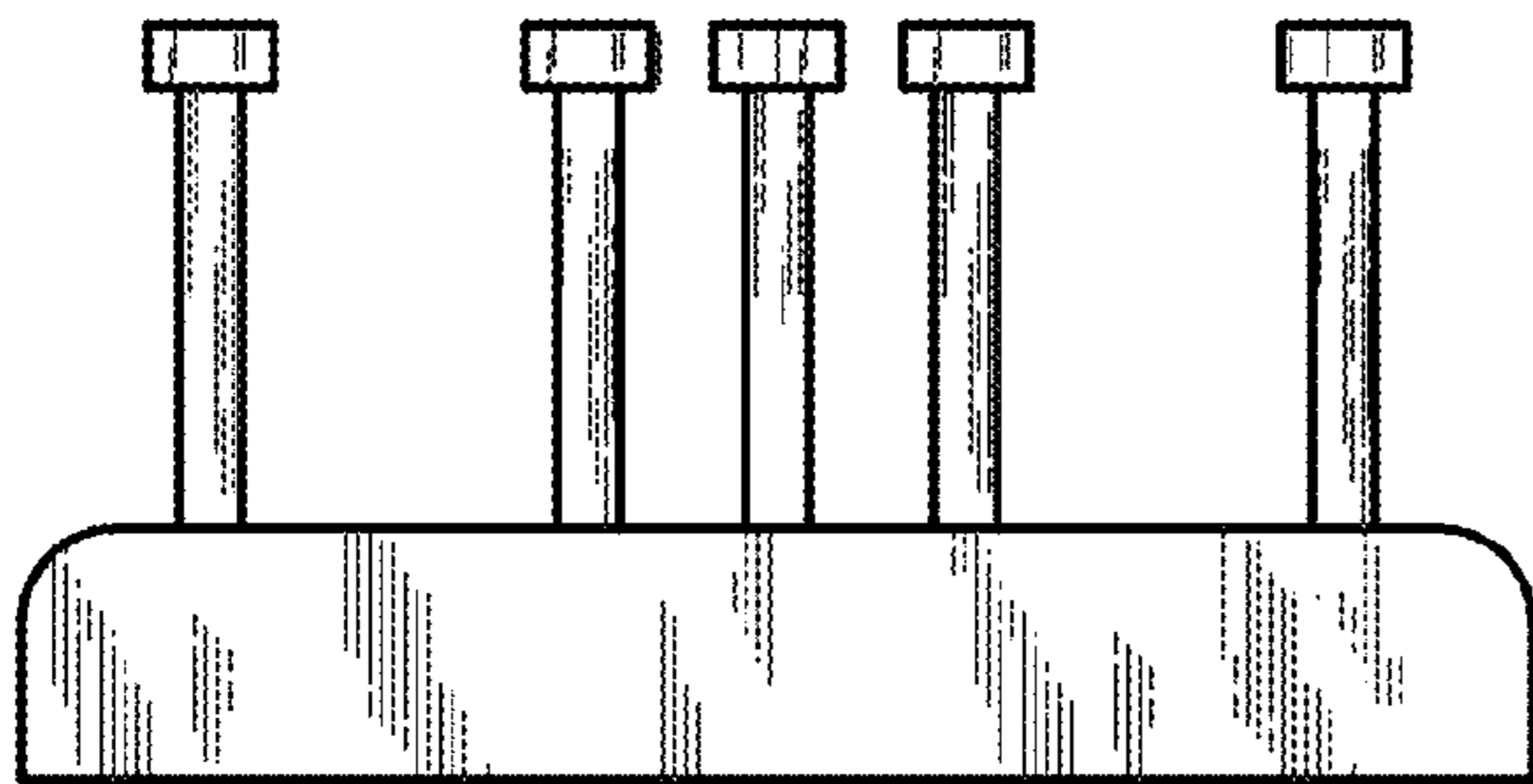


FIG. 4

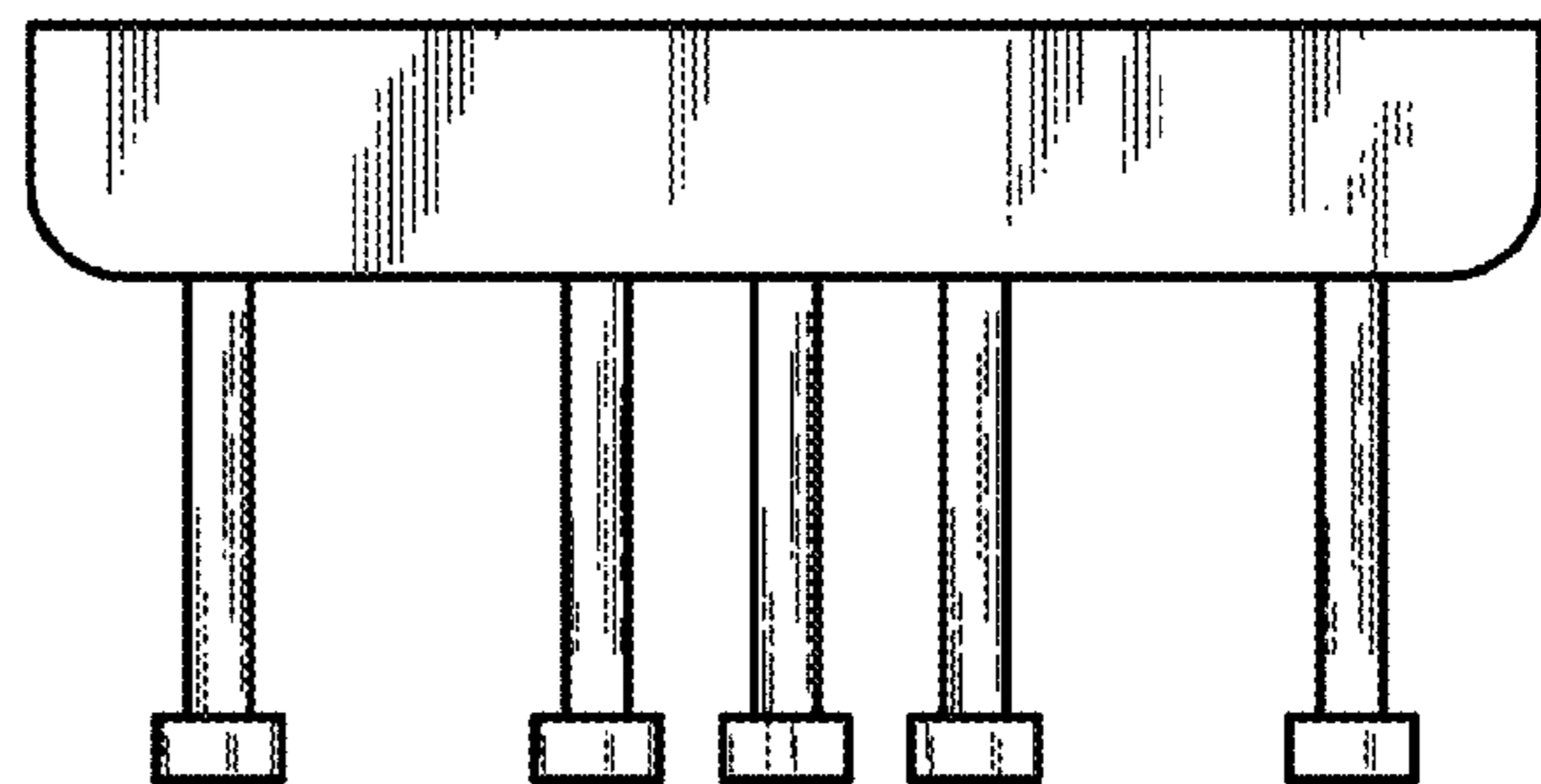


FIG. 5

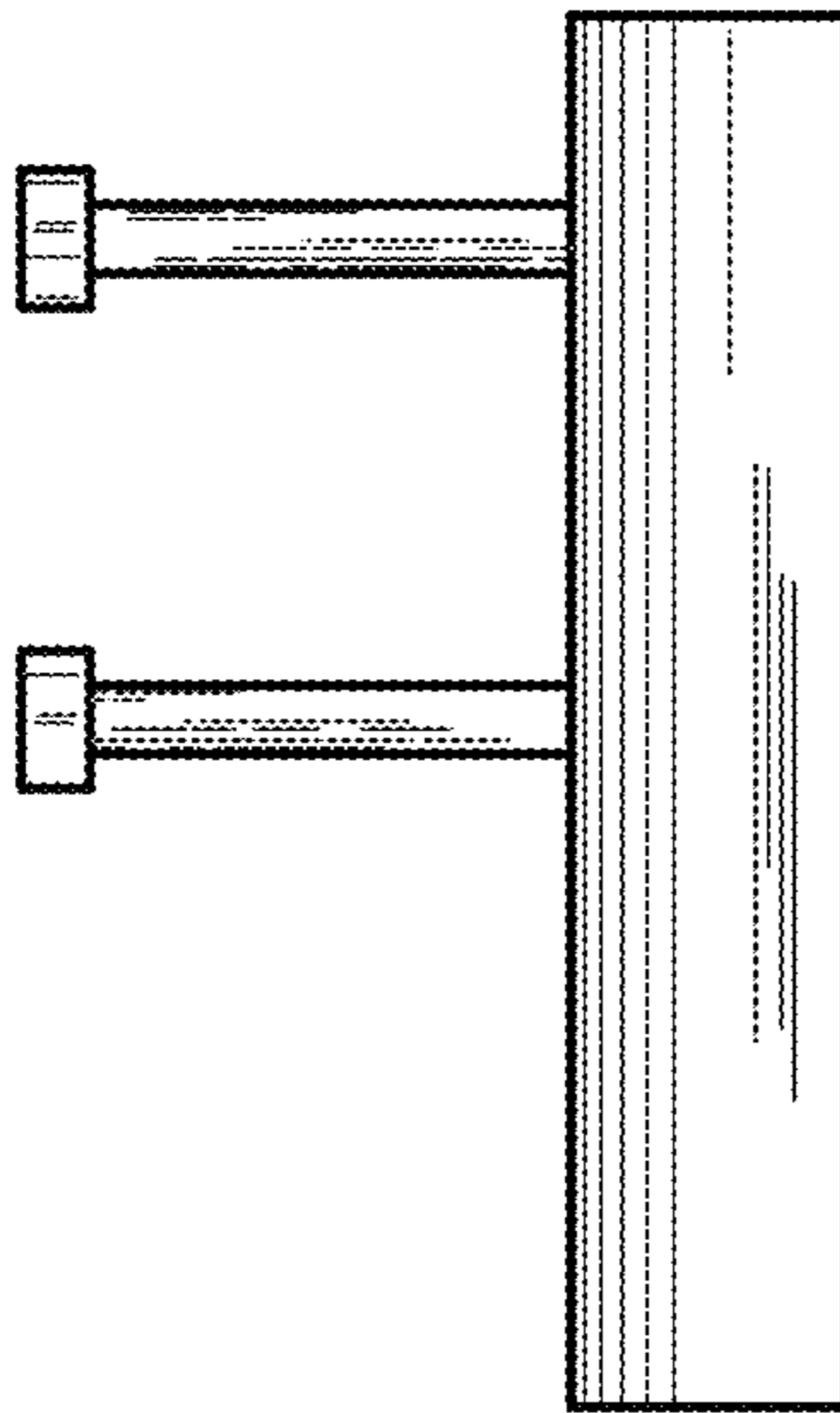


FIG. 6

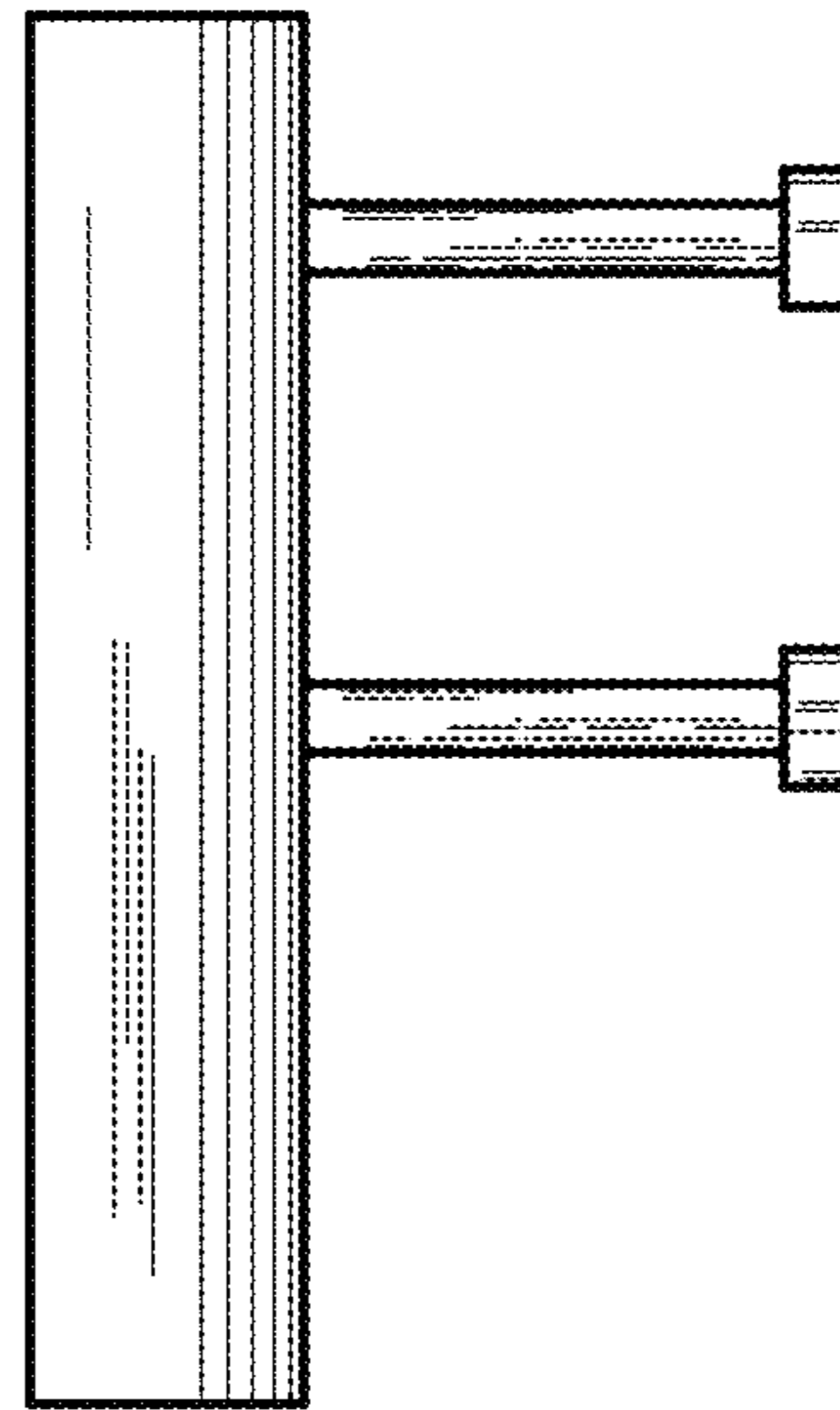


FIG. 7

