



US00D899909S

(12) **United States Design Patent**
Hamnes

(10) **Patent No.:** **US D899,909 S**

(45) **Date of Patent:** **** Oct. 27, 2020**

- (54) **HVAC EQUIPMENT CASING**
- (71) Applicant: **Joel Hamnes**, Bedford, TX (US)
- (72) Inventor: **Joel Hamnes**, Bedford, TX (US)
- (**) Term: **15 Years**
- (21) Appl. No.: **29/635,104**
- (22) Filed: **Jan. 27, 2018**
- (51) **LOC (12) Cl.** **08-05**
- (52) **U.S. Cl.**
USPC **D8/380**; D6/513
- (58) **Field of Classification Search**
USPC D8/349, 380, 381, 373, 499; D6/513,
D6/553, 566, 567, 574
CPC A47H 1/00
See application file for complete search history.

- D732,788 S * 6/2015 Drummond D34/33
- 9,185,971 B2 * 11/2015 Crowley A47B 43/003
- 9,433,285 B2 * 9/2016 Thrush A47F 5/08
- D781,063 S * 3/2017 Shah D6/513
- D834,853 S * 12/2018 Lin D6/513
- D834,854 S * 12/2018 Lin D6/513
- 10,584,837 B2 * 3/2020 O'Brien F21V 21/22
- 2007/0119805 A1 * 5/2007 Nawrocki A47B 55/02
211/119
- 2007/0205169 A1 * 9/2007 Fratilla A47B 96/00
211/117
- 2012/0145659 A1 * 6/2012 Mansor A47B 43/00
211/116
- 2015/0090846 A1 * 4/2015 Crowley A47B 43/003
248/188.5

* cited by examiner

Primary Examiner — Keli L Hill

Assistant Examiner — Harold E Blackwell, II

(56) **References Cited**

U.S. PATENT DOCUMENTS

- 6,457,692 B1 * 10/2002 Gohl, Jr. E04B 9/006
248/301
- D470,353 S * 2/2003 Mikich D6/513
- 7,320,453 B2 * 1/2008 Berlyn F24F 13/32
248/317
- 7,367,538 B2 * 5/2008 Berlyn E04B 9/006
248/317
- 7,931,162 B2 * 4/2011 Swanson B67D 1/0892
211/194
- 8,371,458 B2 * 2/2013 Yu A47B 43/006
108/149
- 8,935,929 B1 * 1/2015 Prater F24F 13/32
62/259.1
- 8,985,528 B2 * 3/2015 Colvin H02G 3/263
174/40 R

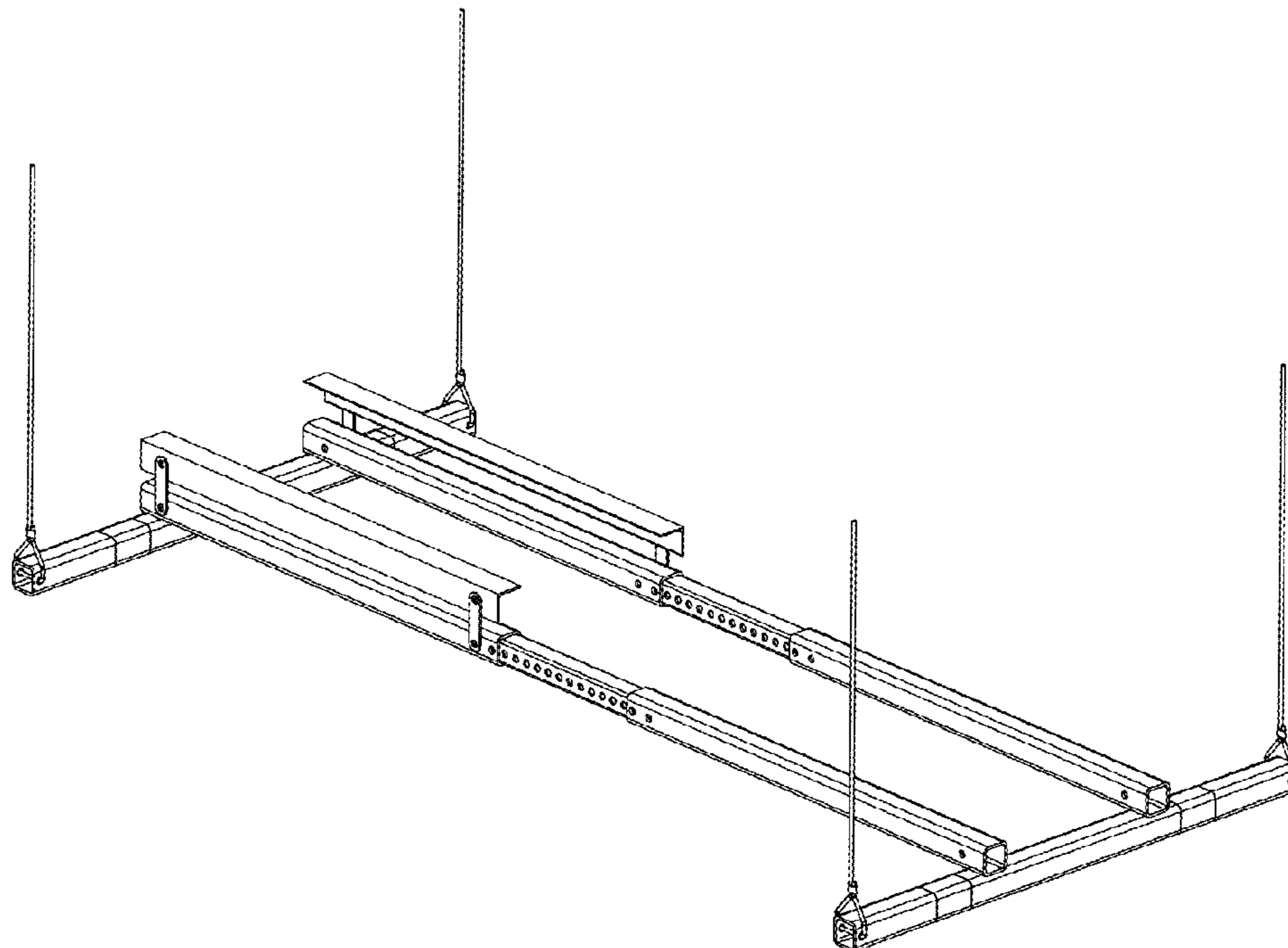
(57) **CLAIM**

The ornamental design for a HVAC equipment casing, as shown and described.

DESCRIPTION

FIG. 1 is a front view of an equipment casing according to the present application.
 FIG. 2 is a right side view of the HVAC equipment casing.
 FIG. 3 is a left side view of the HVAC equipment casing.
 FIG. 4 is top view of the HVAC equipment casing.
 FIG. 5 is back view of the HVAC equipment casing.
 FIG. 6 is back perspective view of the HVAC equipment casing; and,
 FIG. 7 is front perspective view of the HVAC equipment casing from FIG. 1.

1 Claim, 3 Drawing Sheets



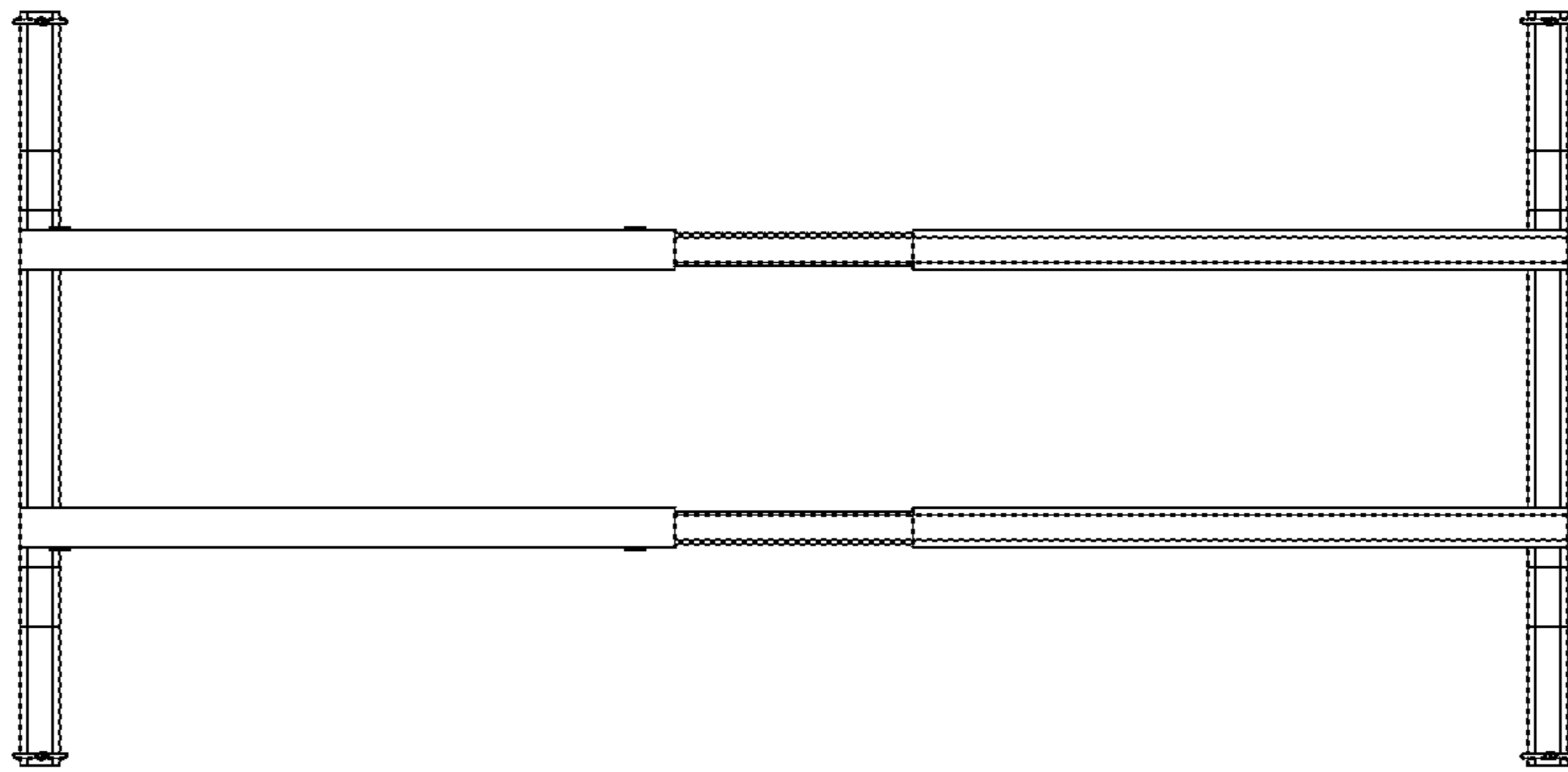


FIG. 2

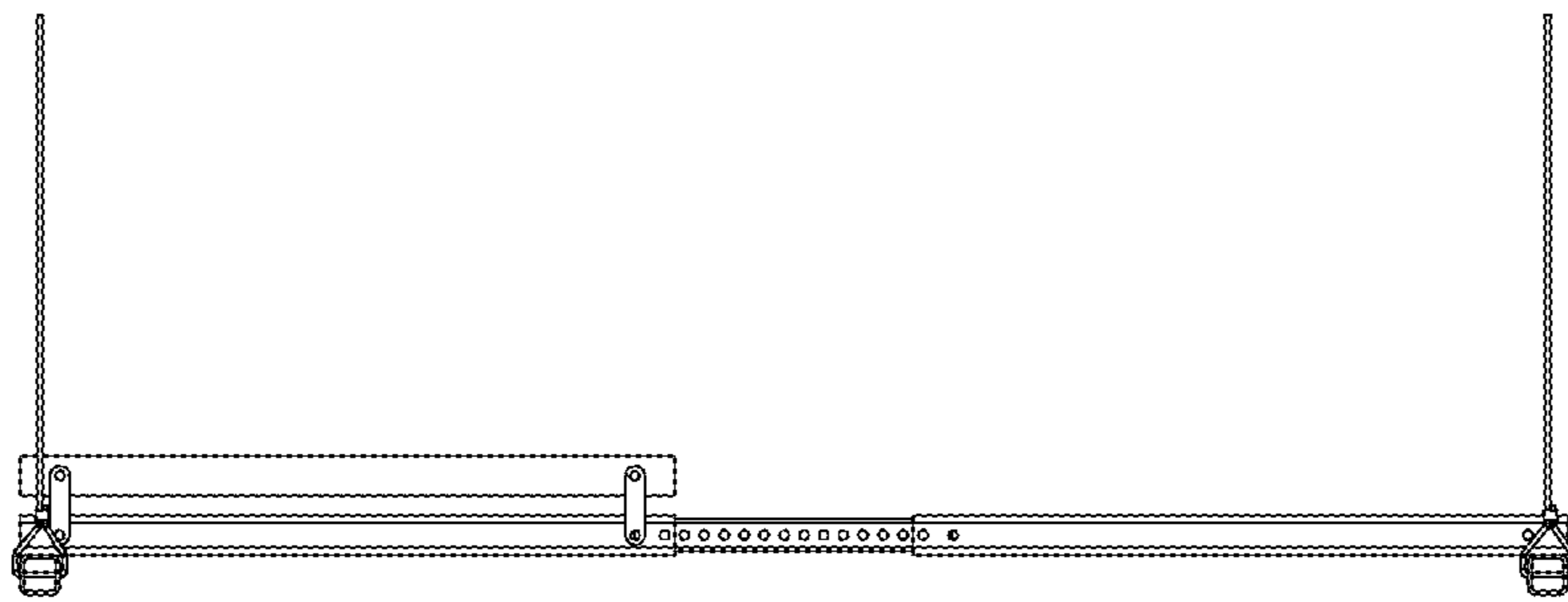


FIG. 1

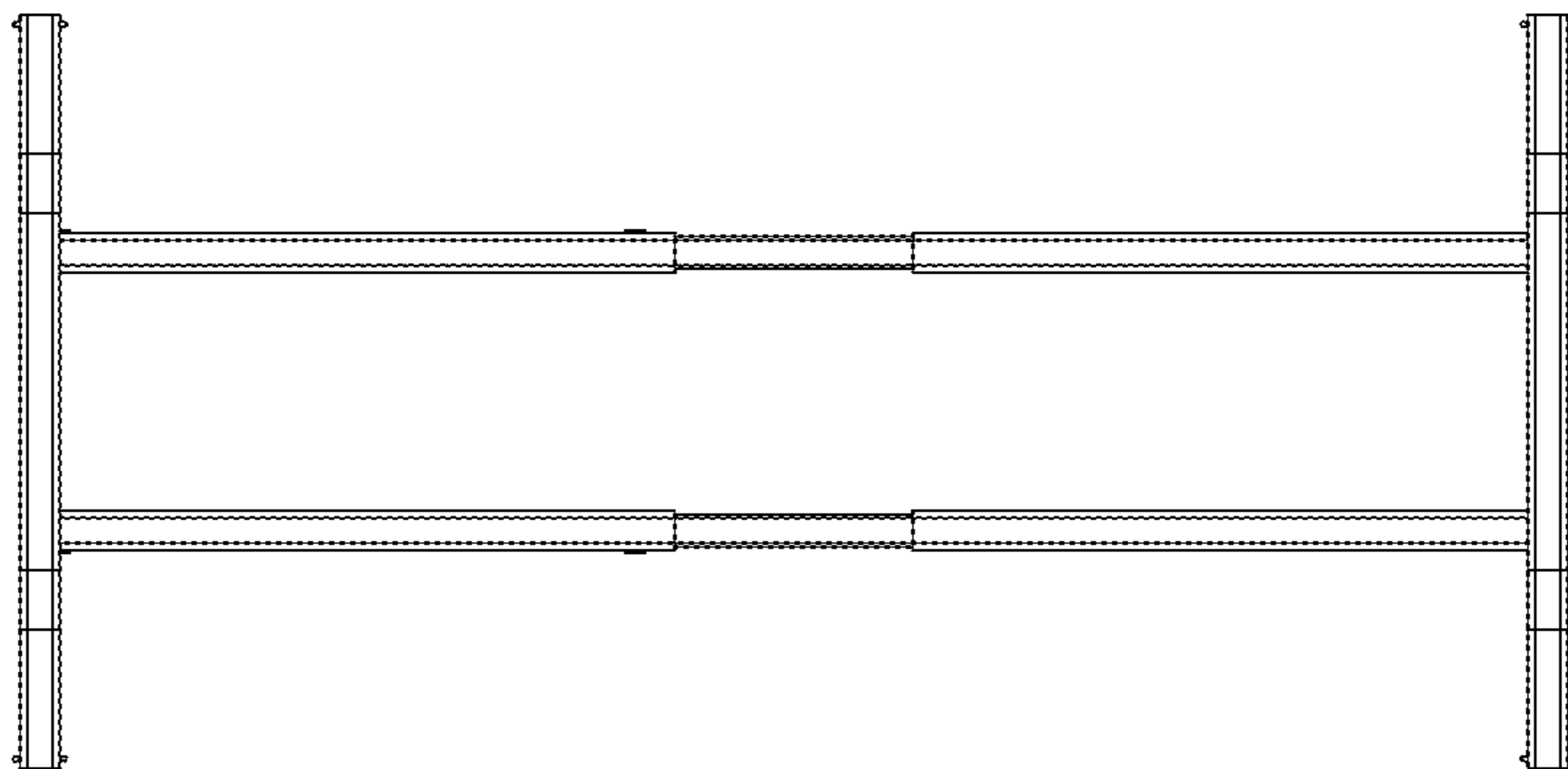


FIG. 3

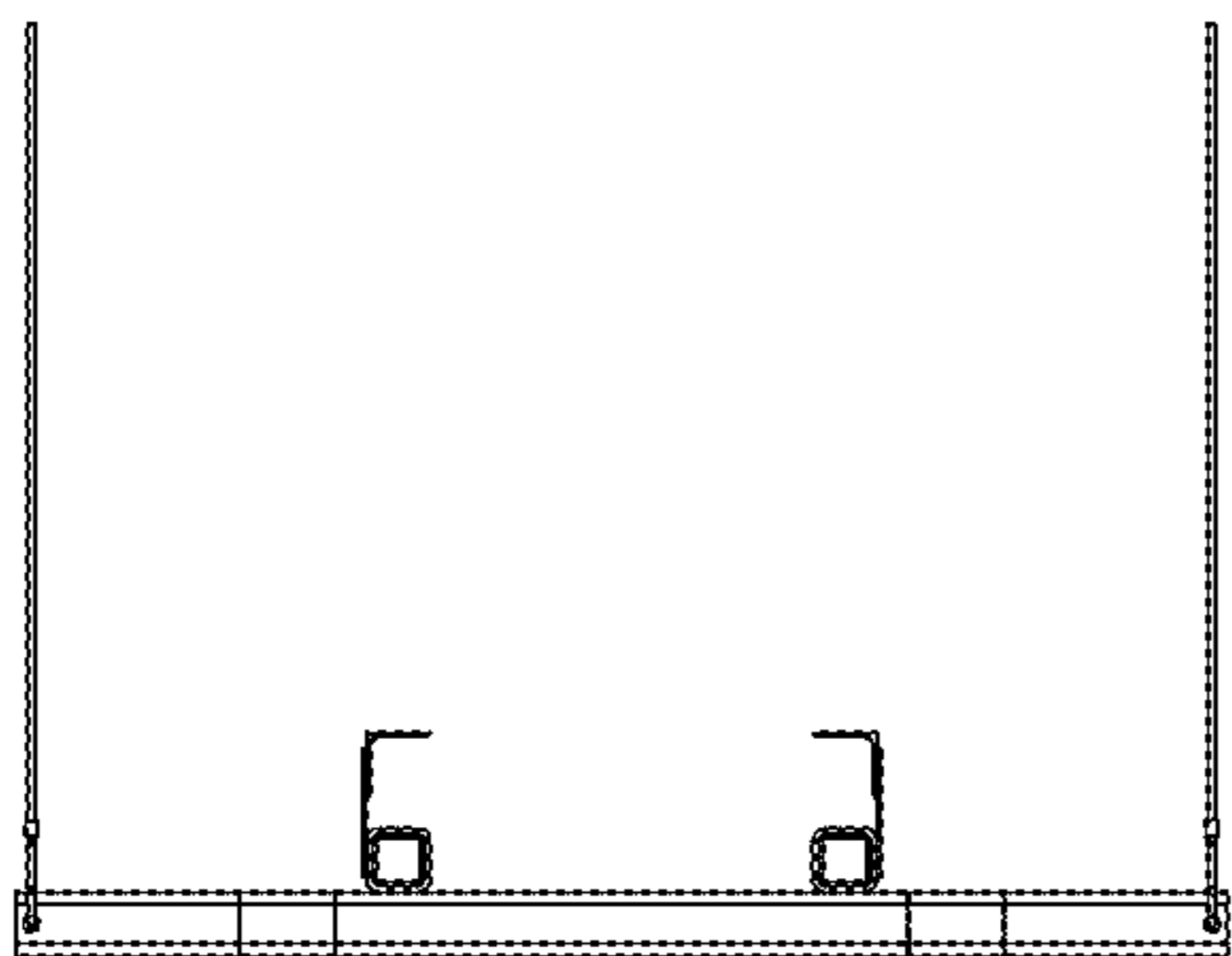


FIG. 4

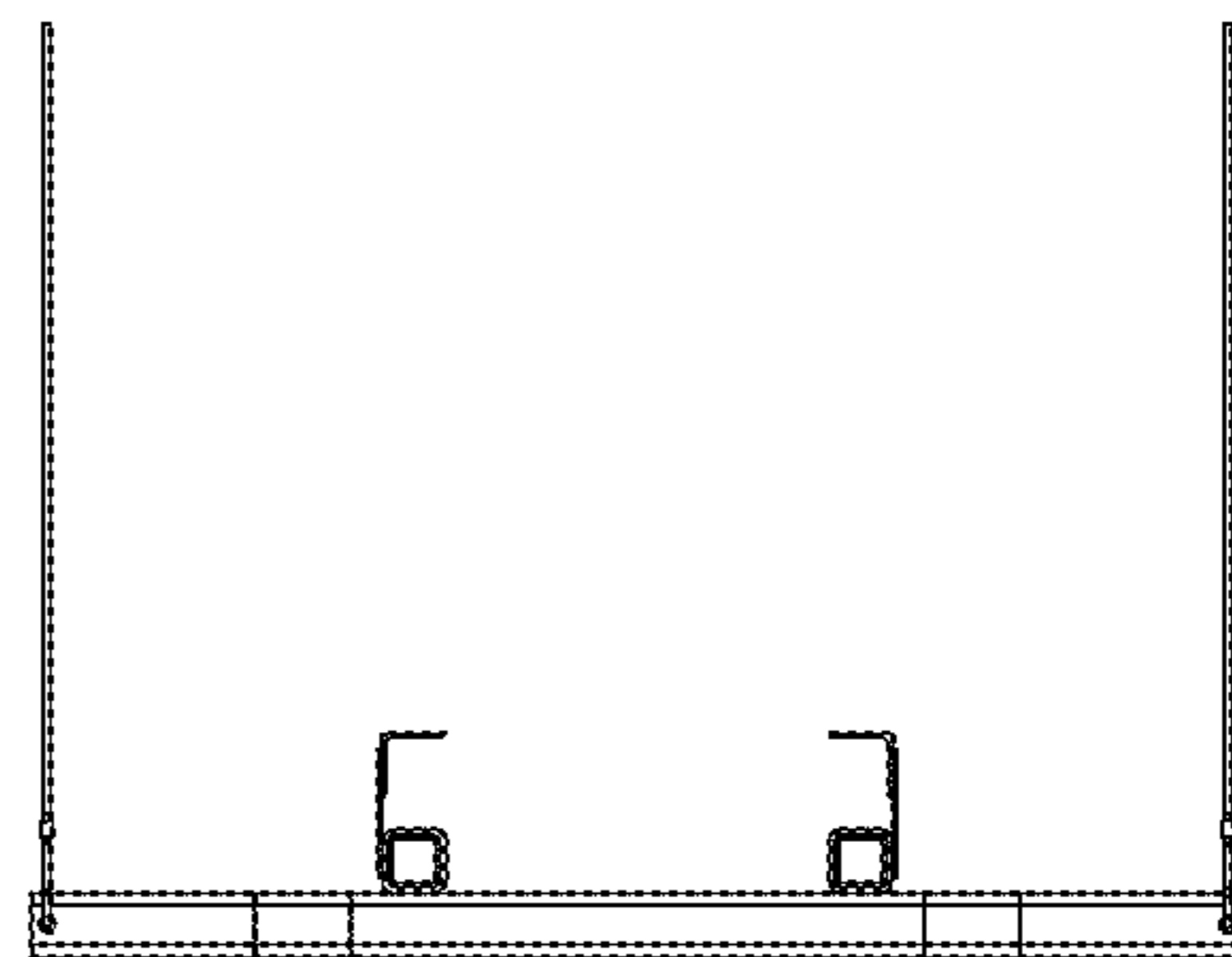


FIG. 5

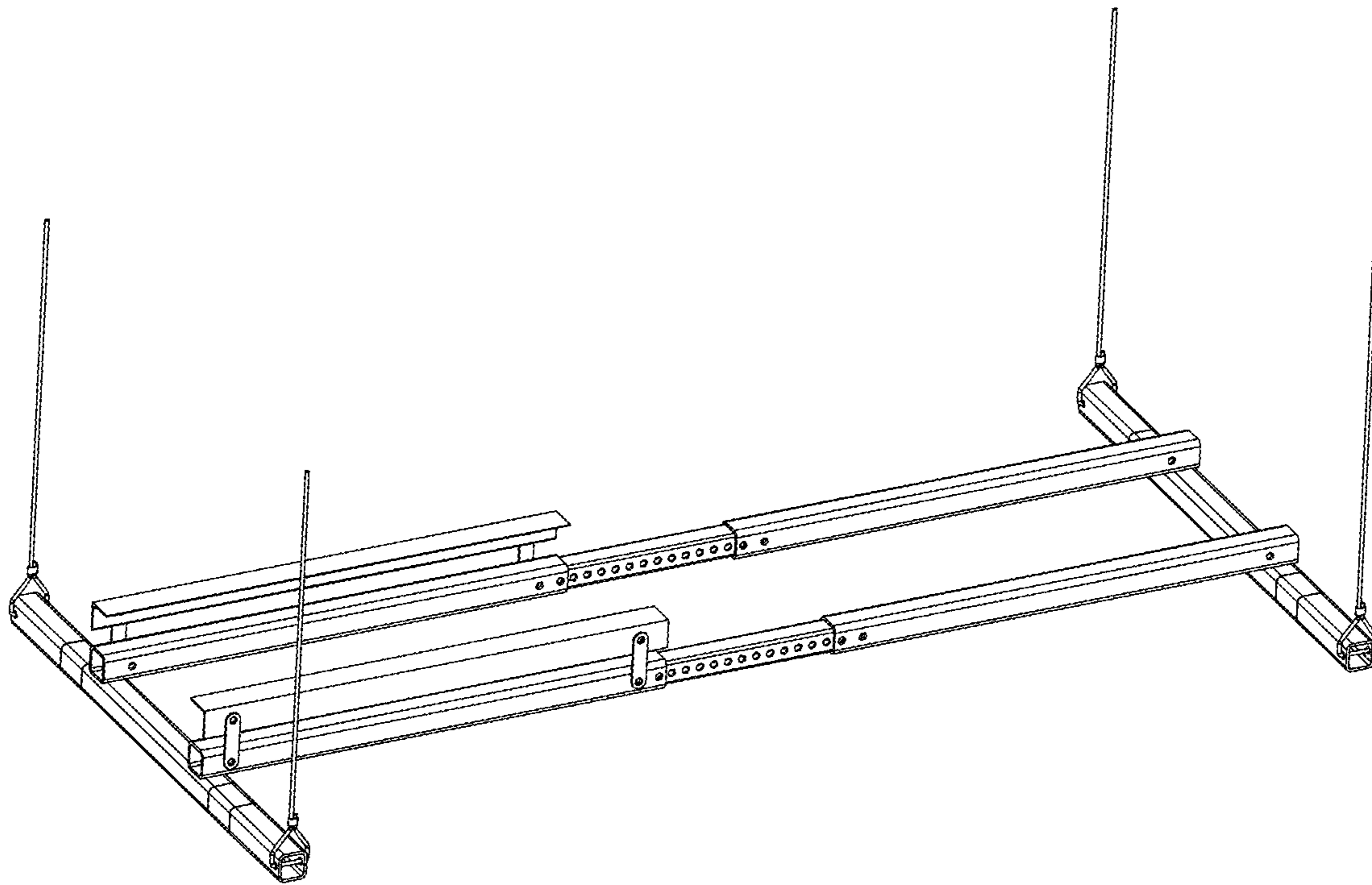


FIG. 6

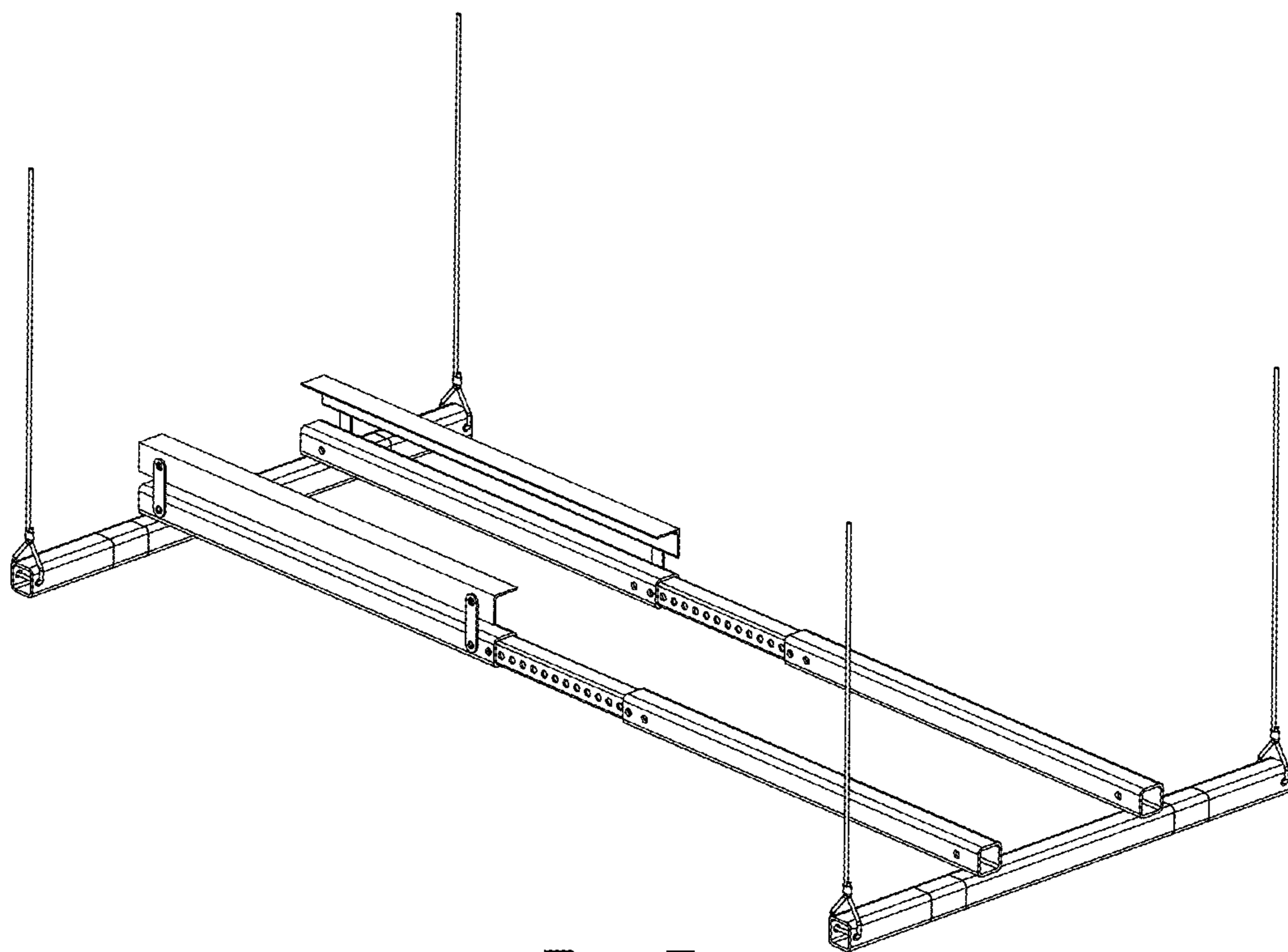


FIG. 7