



US00D899908S

(12) **United States Design Patent**  
**Burr**

(10) **Patent No.:** **US D899,908 S**

(45) **Date of Patent:** **\*\* Oct. 27, 2020**

- (54) **CURTAIN HOLDBACK ASSEMBLY**
- (71) Applicant: **BURR DISTRIBUTION, LLC**, North Attleboro, MA (US)
- (72) Inventor: **Derrek Burr**, Attleboro, MA (US)
- (73) Assignee: **BURR DISTRIBUTION, LLC**, North Attleboro, MA (US)
- (\*\*) Term: **15 Years**
- (21) Appl. No.: **29/712,406**
- (22) Filed: **Nov. 7, 2019**

3,090,588 A *	5/1963	Monette	.....	A47H 1/142
				248/217.3
3,199,823 A *	8/1965	Stall	.....	A47H 1/122
				248/265
3,433,281 A *	3/1969	Lukashok	.....	A47H 23/02
				160/330
D242,986 S	1/1977	Inglis		
D251,180 S	2/1979	Mader et al.		
D253,162 S	10/1979	Sheehan		
4,417,712 A *	11/1983	DeHart	.....	G09F 7/18
				248/220.22
D290,931 S	7/1987	Powell		
4,684,095 A	8/1987	Athey		
5,275,225 A *	1/1994	Marasco	.....	A47H 13/14
				16/108

(Continued)

*Primary Examiner* — Cynthia R Underwood  
(74) *Attorney, Agent, or Firm* — John J. Brooks, III; John Brooks Law LLC

**Related U.S. Application Data**

- (63) Continuation of application No. 15/990,779, filed on May 28, 2018, now Pat. No. 10,582,796.
- (51) **LOC (12) Cl.** ..... **08-05**
- (52) **U.S. Cl.**  
USPC ..... **D8/368**
- (58) **Field of Classification Search**  
USPC ..... D8/367, 354, 349, 368, 366; 248/262;  
D6/575  
CPC ..... A45F 5/021; A44B 13/0029; F16B 45/00;  
F16M 13/02  
See application file for complete search history.

(57) **CLAIM**

I claim the ornamental design for a curtain holdback assembly, as shown.

**DESCRIPTION**

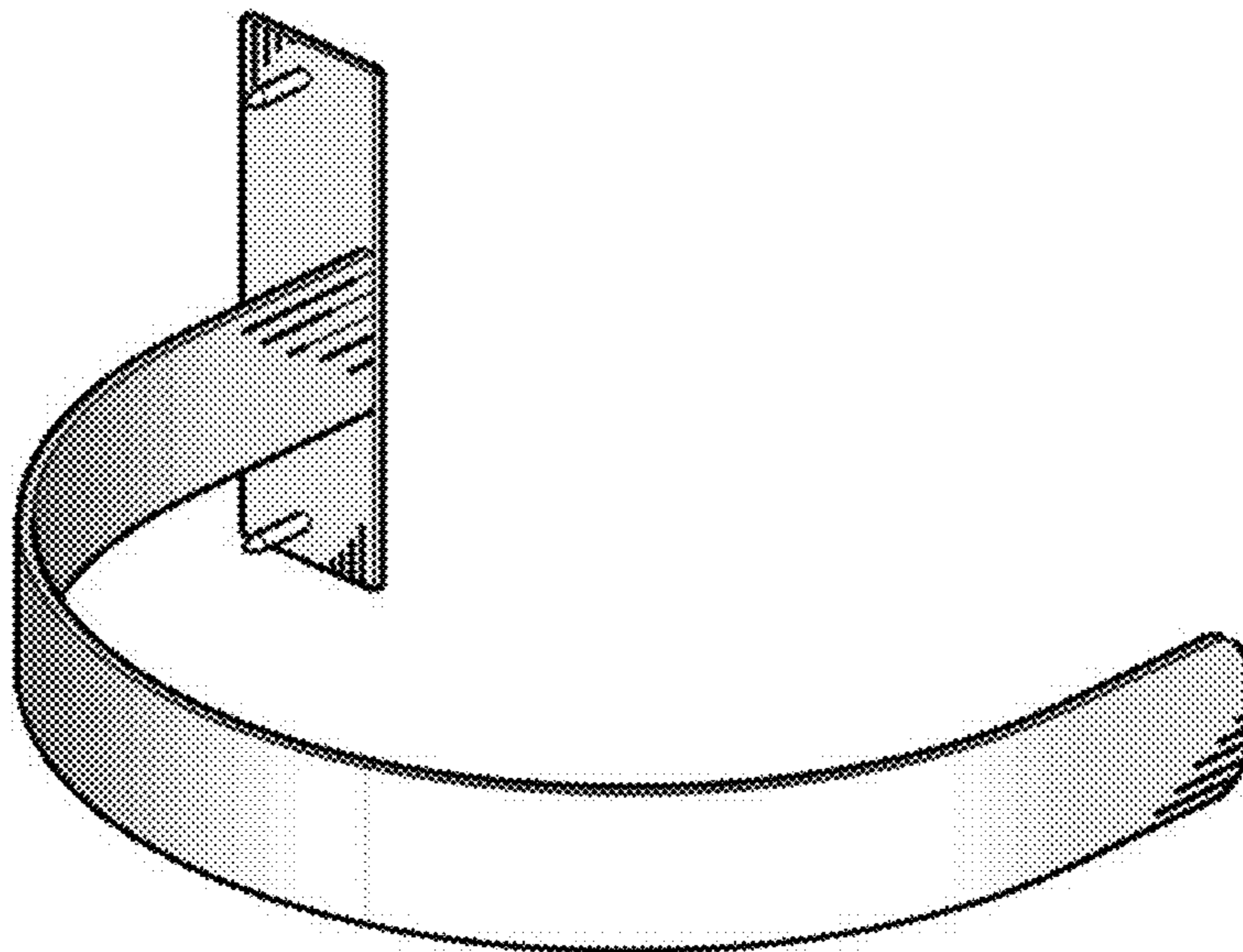
FIG. 1 shows a top perspective view of a curtain holdback assembly showing my new design; FIG. 2 is a rear perspective view thereof; FIG. 3 is another rear perspective view thereof; FIG. 4 is another top perspective view thereof; FIG. 5 is a top elevational view thereof; FIG. 6 is a bottom elevational view thereof; FIG. 7 is a left side elevational view thereof; FIG. 8 is a right side elevational view thereof; FIG. 9 is a front elevational view thereof; and FIG. 10 is a rear elevational view thereof; and, FIG. 11 is a perspective view of the item in an environment of use, the broken lines forming no part of the claim.

**1 Claim, 4 Drawing Sheets**

(56) **References Cited**

**U.S. PATENT DOCUMENTS**

D47,004 S	2/1915	Martin		
D55,157 S	5/1920	Dubish		
1,525,895 A	2/1925	Sherwood		
1,980,918 A *	11/1934	Hudspeth	.....	A47H 19/00
				160/108
D101,104 S	9/1936	Bushey et al.		
2,606,733 A *	8/1952	Krajewski	.....	A47H 19/00
				248/215
2,607,412 A *	8/1952	Walter	.....	A47H 23/02
				160/348



(56)

**References Cited**

U.S. PATENT DOCUMENTS

5,316,067	A	5/1994	LeClaire	
5,398,900	A	3/1995	Schober	
D376,755	S	12/1996	Cox	
D380,141	S *	6/1997	McMichael .....	D6/580
D389,036	S	1/1998	Smiley et al.	
D408,722	S	4/1999	Sartini	
D420,567	S	2/2000	Laga et al.	
D455,334	S	4/2002	Ivankovic	
D464,013	S	10/2002	Adams et al.	
D478,804	S	8/2003	Titus	
D558,030	S *	12/2007	Schiller .....	D8/368
D558,031	S *	12/2007	Schiller .....	D8/368
D558,032	S *	12/2007	Schiller .....	D8/367
D558,033	S *	12/2007	Schiller .....	D8/367
D602,344	S	10/2009	Ollen	
D611,328	S	3/2010	Hanley et al.	
D620,779	S *	8/2010	Kunnath .....	D8/300
D658,043	S	4/2012	Burr	
8,231,093	B2 *	7/2012	Tran .....	A47H 1/142 16/87.2
8,297,576	B2 *	10/2012	McLeod .....	A47G 1/16 248/251
D678,754	S	3/2013	Burr	
8,418,975	B1	4/2013	Burr	
D707,535	S *	6/2014	Burr .....	D8/363
10,064,512	B2 *	9/2018	McMillion .....	F16B 2/22
D847,613	S *	5/2019	Hanley .....	D8/363
10,582,796	B1 *	3/2020	Burr .....	A47H 19/00
2010/0224749	A1	9/2010	Tran	

\* cited by examiner

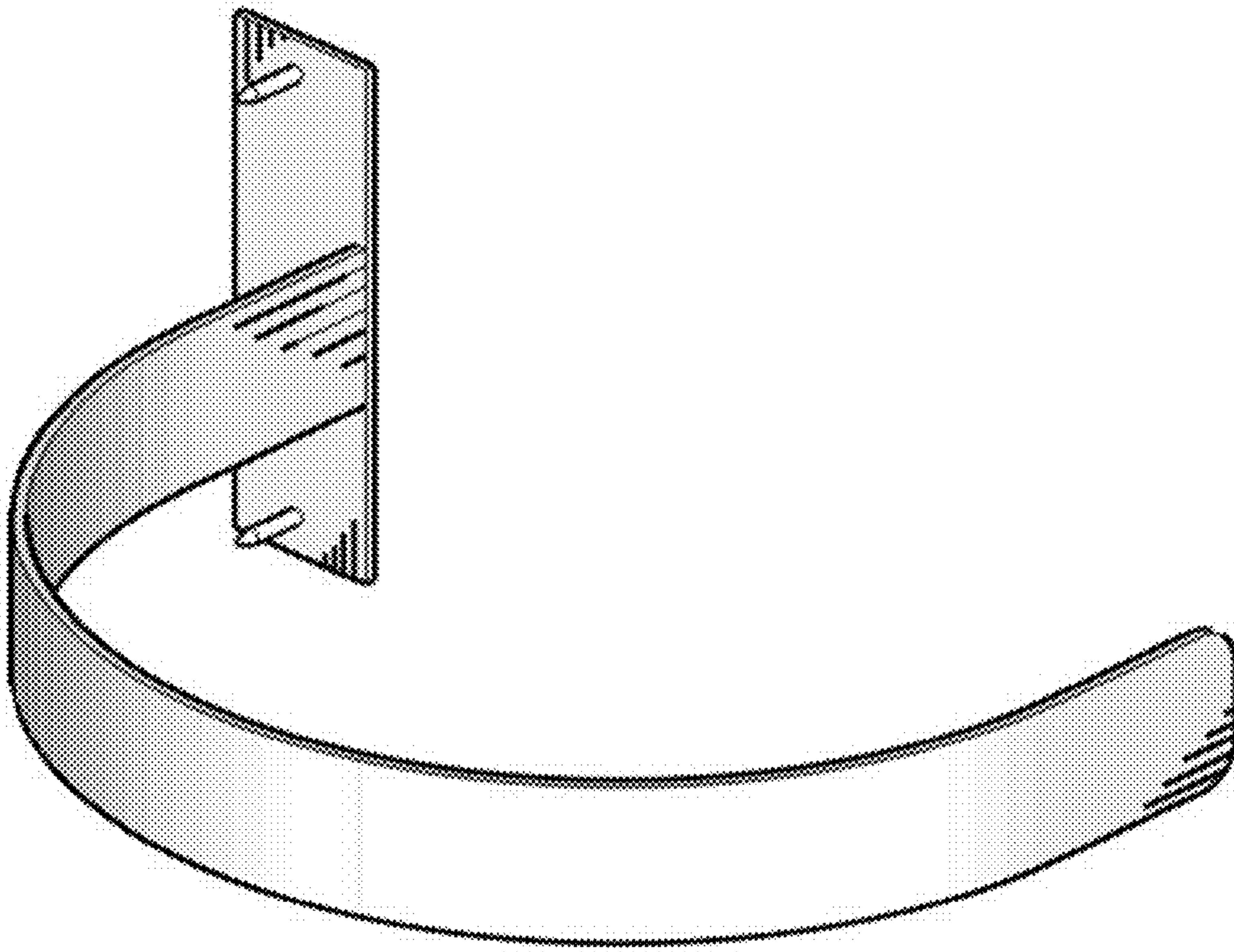


FIG. 1

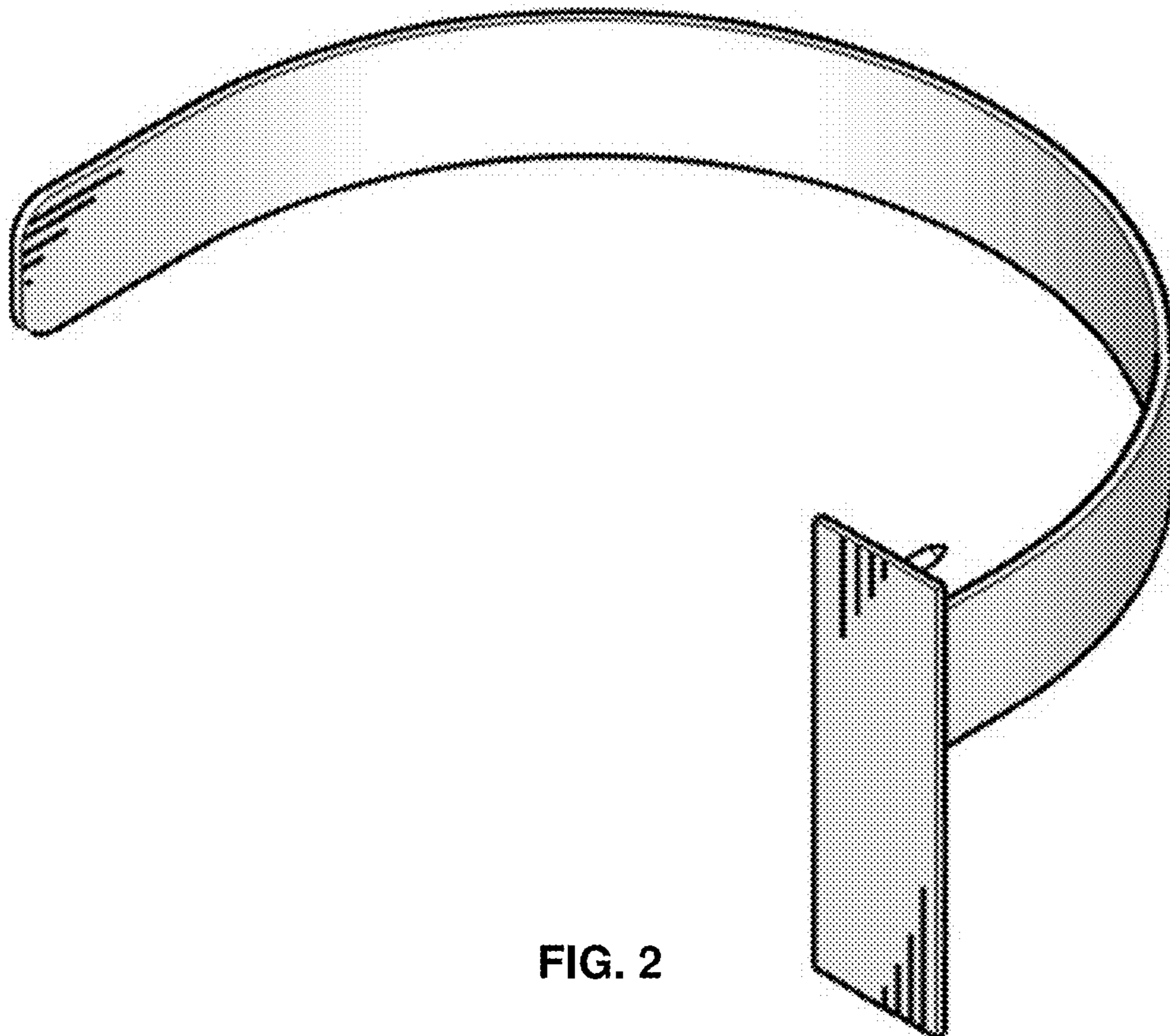


FIG. 2

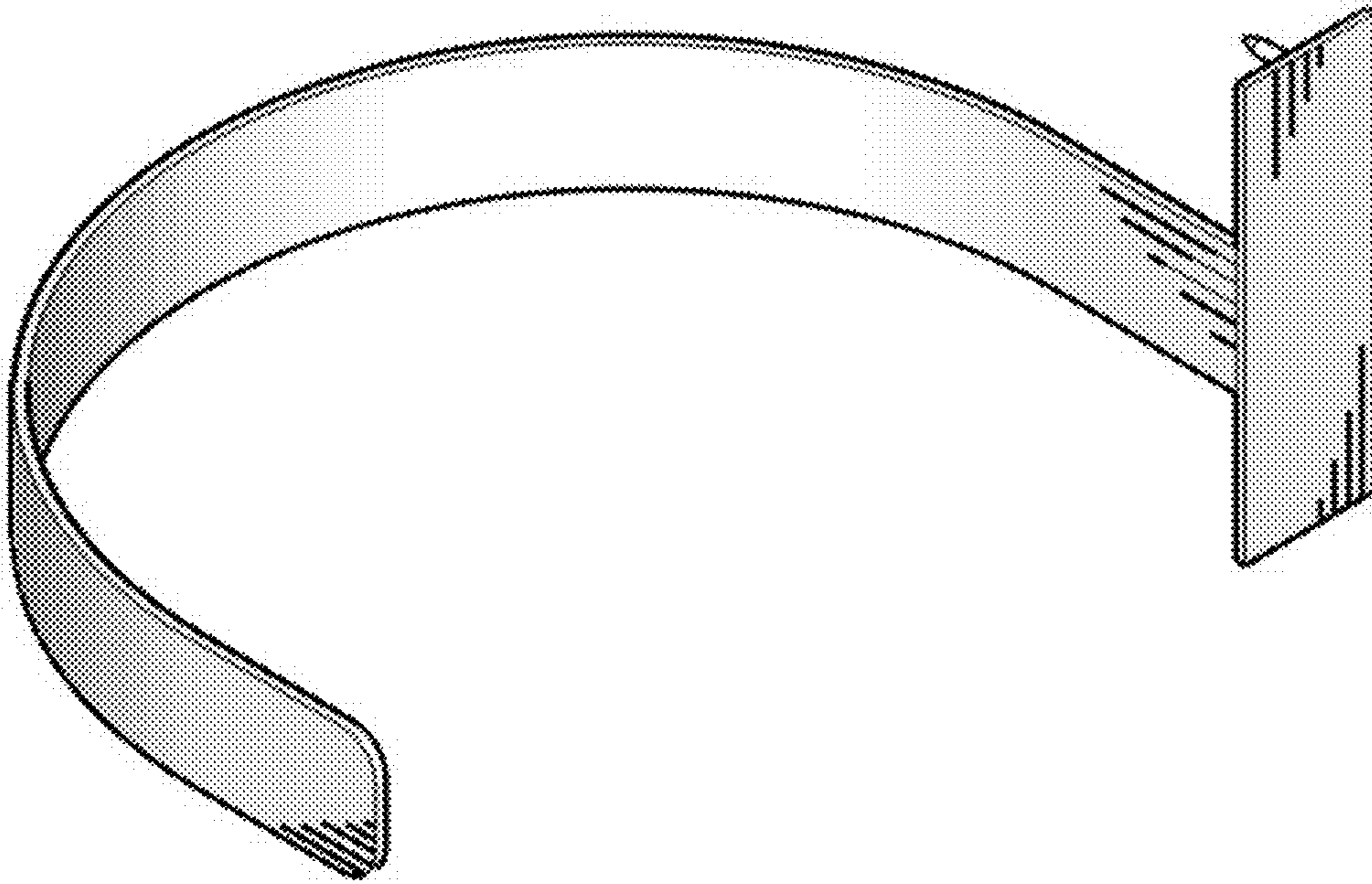


FIG. 3

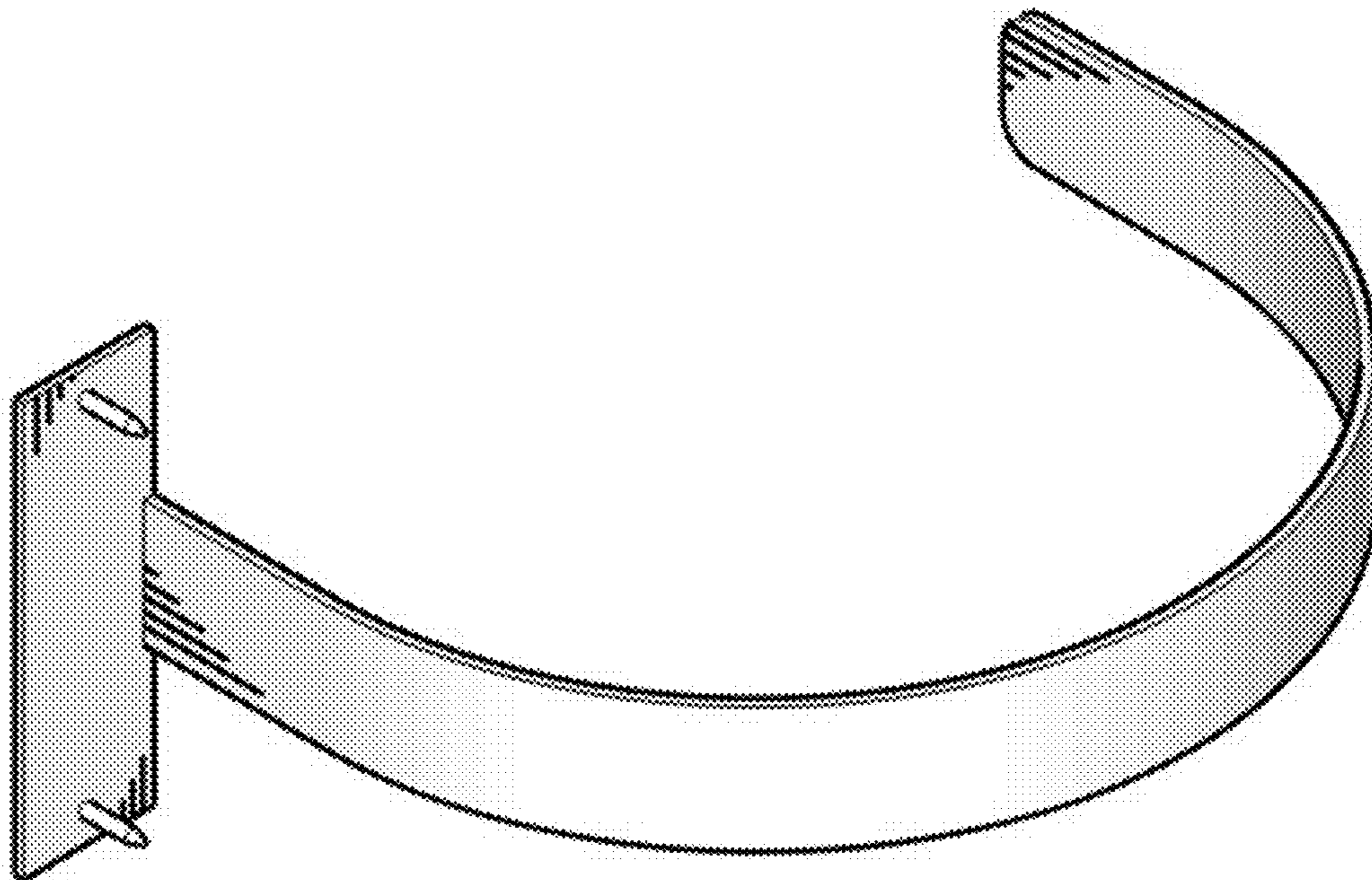


FIG. 4

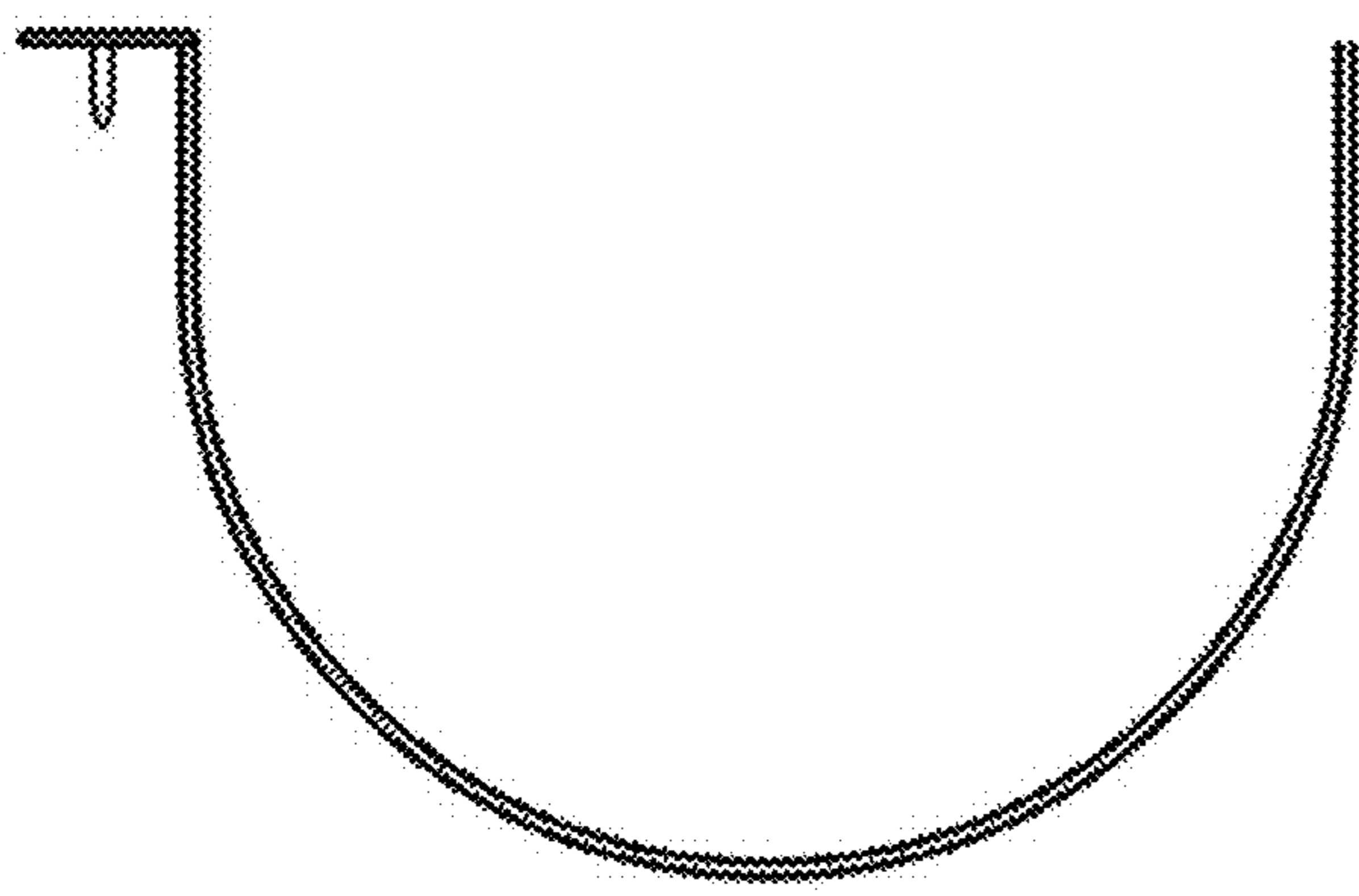


FIG. 5

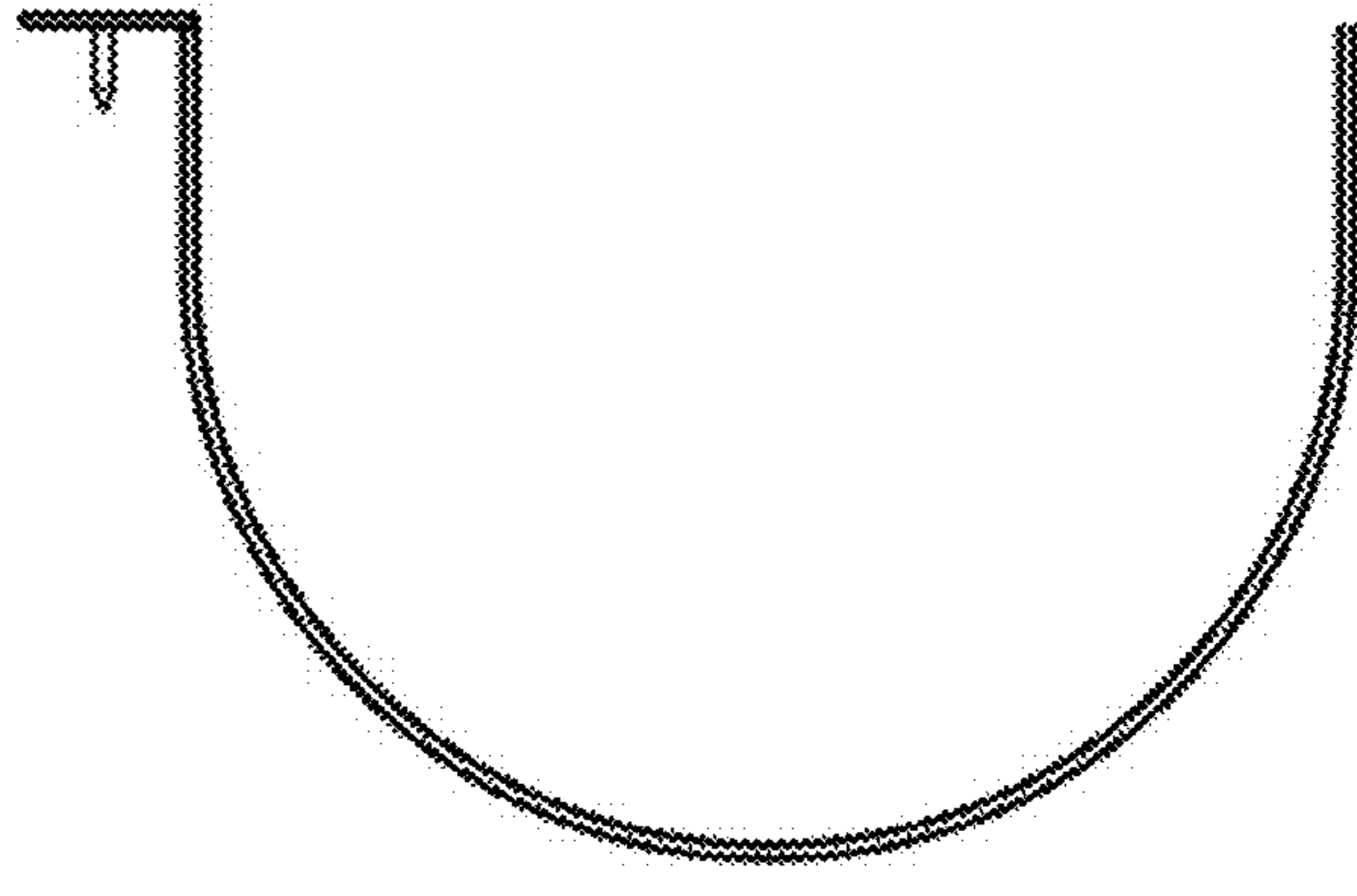


FIG. 6

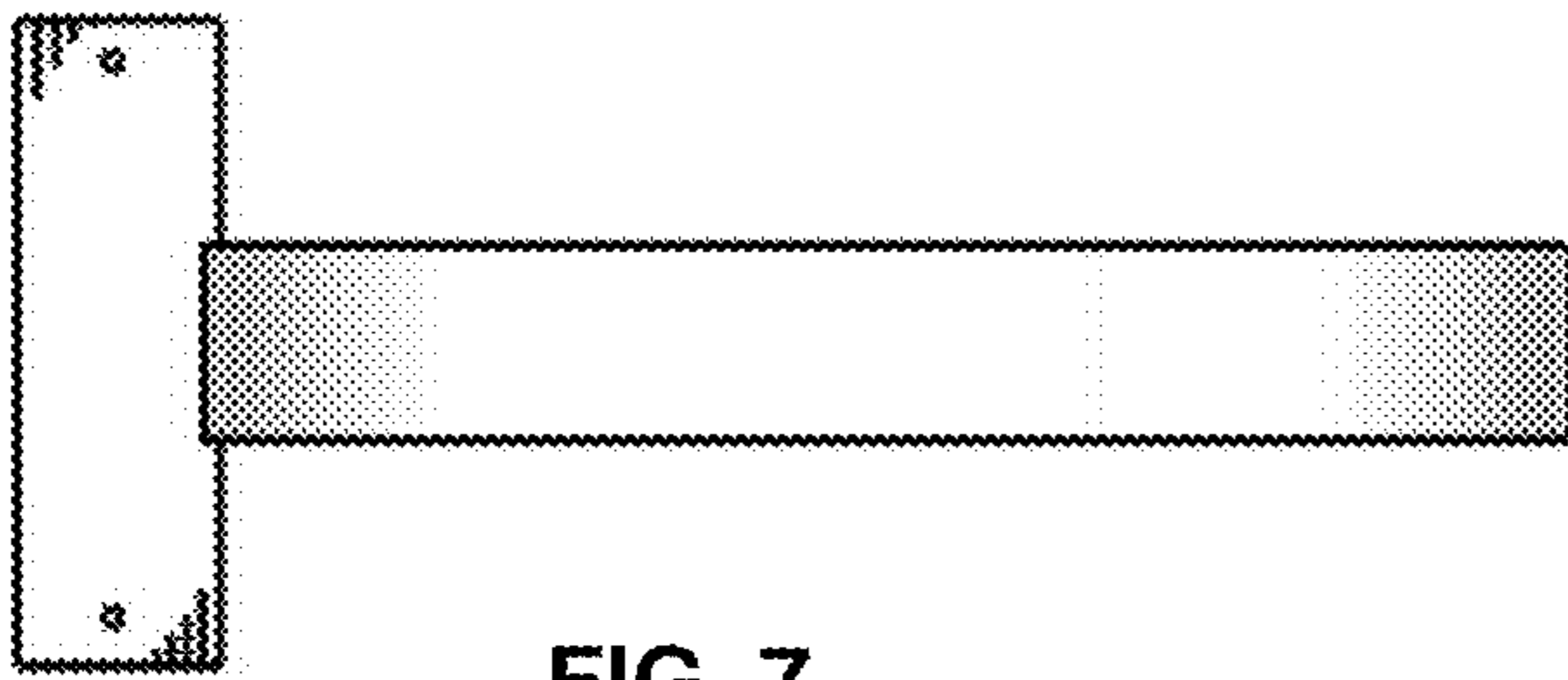


FIG. 7



FIG. 8

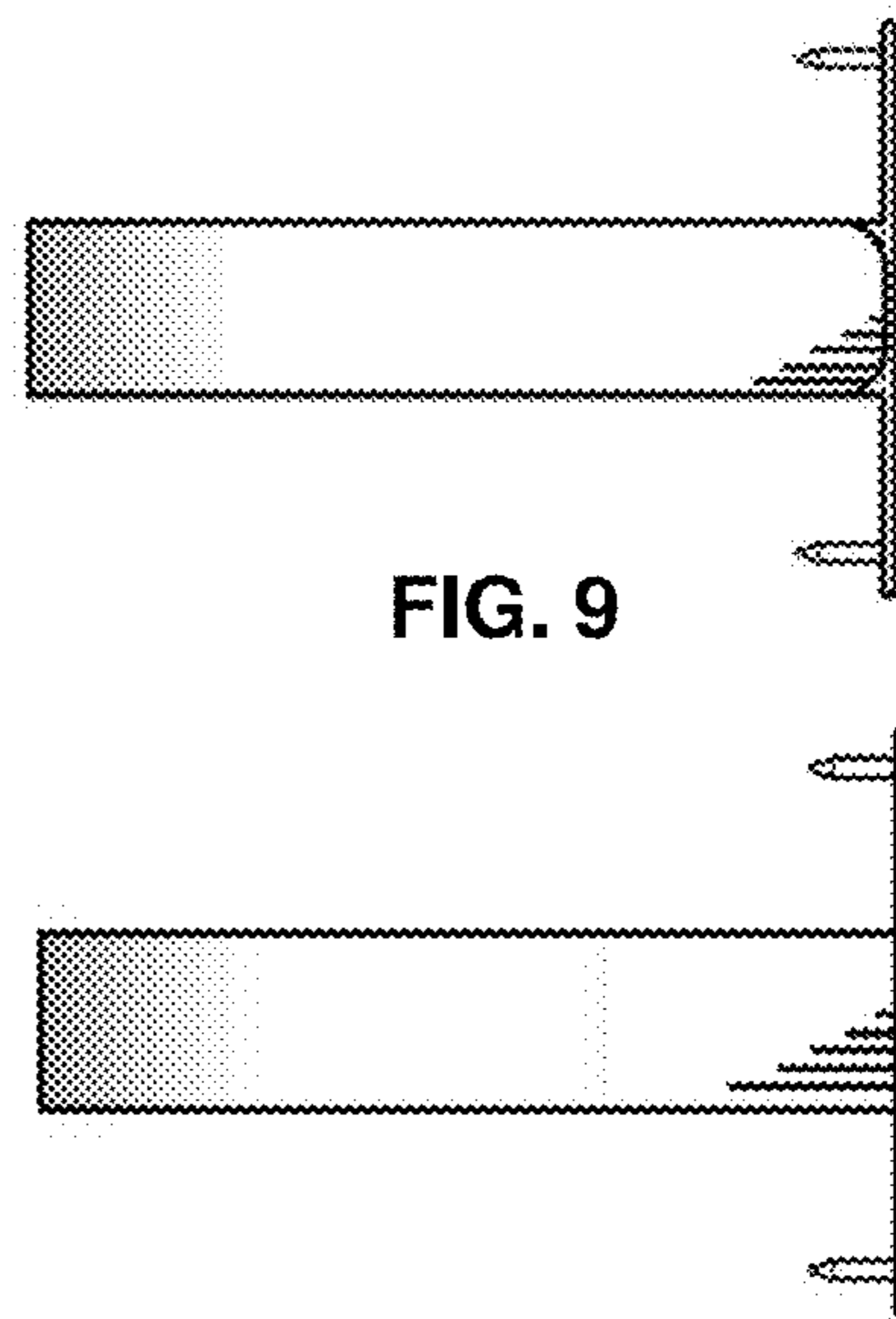


FIG. 9

FIG. 10

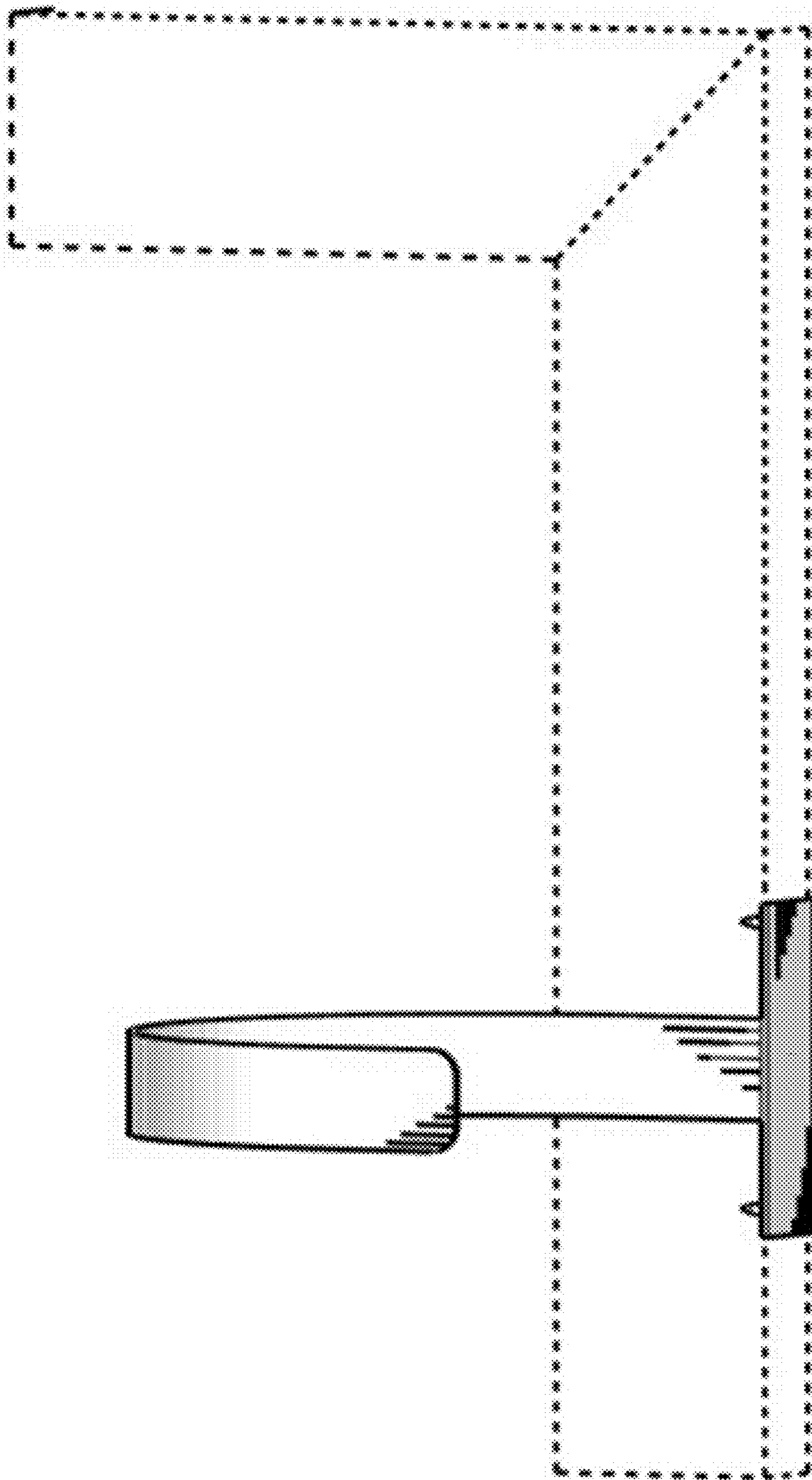


FIG. 11