



US00D899906S

(12) **United States Design Patent** (10) **Patent No.:** **US D899,906 S**  
**Neusch** (45) **Date of Patent:** **\*\* Oct. 27, 2020**

- (54) **CABLE CLIP**
- (71) Applicant: **Gibraltar Global, LLC**, Burnet, TX (US)
- (72) Inventor: **William H. Neusch**, Marble Falls, TX (US)
- (73) Assignee: **GIBRALTAR GLOBAL, LLC**, Burnet, TX (US)
- (\*\*) Term: **15 Years**
- (21) Appl. No.: **29/679,063**
- (22) Filed: **Feb. 1, 2019**

- 632,585 A 9/1899 Parker
- 812,141 A 2/1906 Kidd
- 826,984 A 7/1906 Youngs
- 830,108 A 9/1906 Smith
- 863,118 A 8/1907 Trimble
- 883,901 A 4/1908 McInnis
- (Continued)

**FOREIGN PATENT DOCUMENTS**

- GB 2417509 A 3/2006
- JP H08134861 A 5/1996
- (Continued)

**OTHER PUBLICATIONS**

International Preliminary Report on Patentability for PCT/US2006/008569, dated Nov. 29, 2007.  
(Continued)

*Primary Examiner* — Cynthia R Underwood  
(74) *Attorney, Agent, or Firm* — Dickinson Wright PLLC; Mark E. Scott

**Related U.S. Application Data**

- (60) Continuation of application No. 14/987,617, filed on Jan. 4, 2016, now Pat. No. 10,202,730, which is a continuation of application No. 14/513,207, filed on Oct. 13, 2014, now Pat. No. 9,228,306, which is a continuation of application No. 13/619,613, filed on Sep. 14, 2012, now Pat. No. 8,857,796, which is a continuation of application No. 12/040,322, filed on Feb. 29, 2008, now Pat. No. 8,266,803, which is a division of application No. 11/175,939, filed on Jul. 6, 2005, now Pat. No. 7,398,960.
- (51) **LOC (12) Cl.** ..... **09-06**
- (52) **U.S. Cl.**  
USPC ..... **D8/356**
- (58) **Field of Classification Search**  
USPC ..... D8/367, 354, 349, 356; D12/162; 47/46  
CPC ... A47G 29/083; F16B 45/00; A63B 21/0557;  
B60P 7/0823; E01F 16/06  
See application file for complete search history.

(57) **CLAIM**

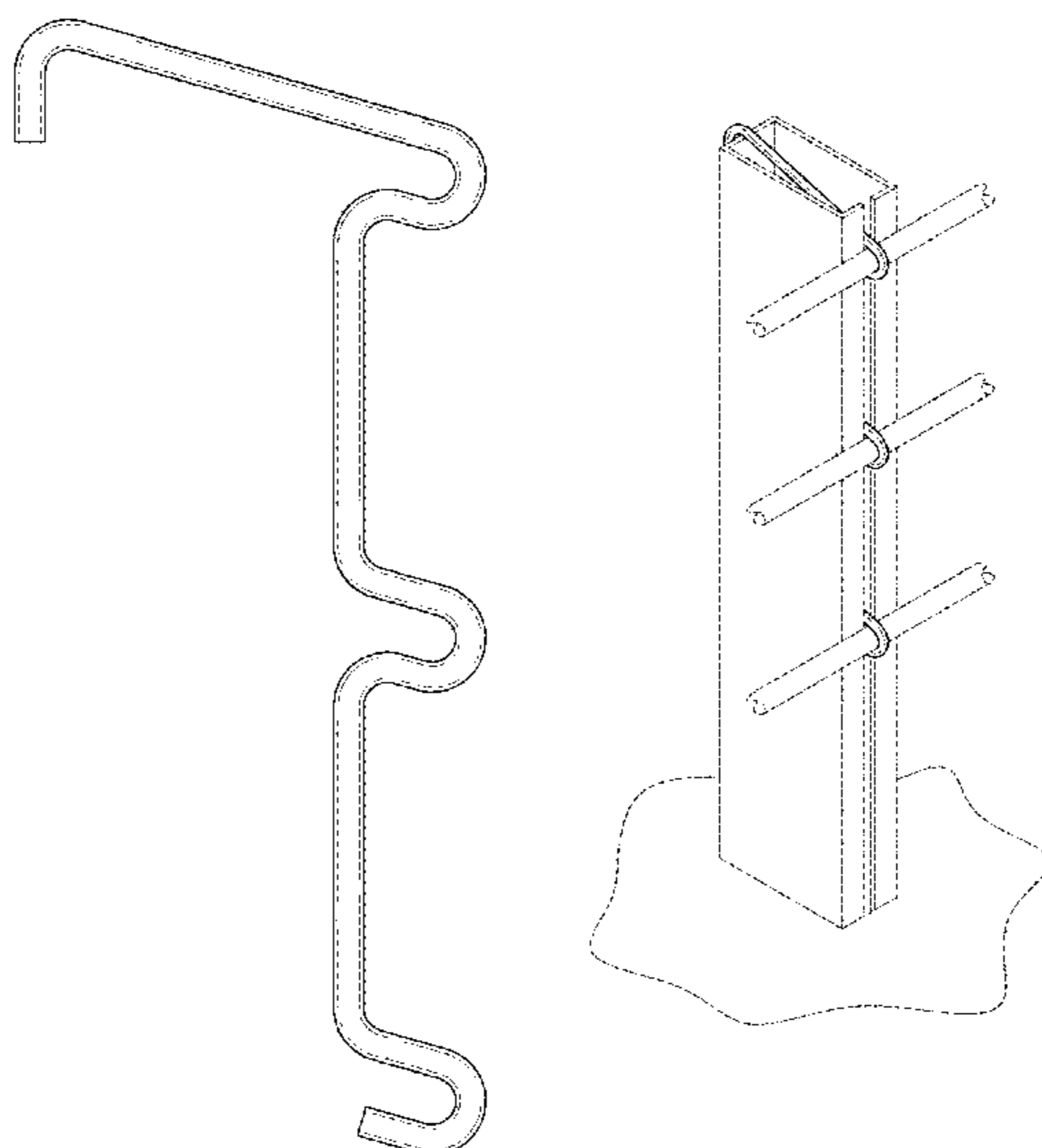
The ornamental design for a cable clip, as shown and described.

**DESCRIPTION**

FIG. 1 is a first side view of a cable clip showing the new design;  
FIG. 2 is a second view thereof;  
FIG. 3 is a front view thereof;  
FIG. 4 is a back side view thereof;  
FIG. 5 is a top view thereof;  
FIG. 6 is a bottom view thereof; and,  
FIG. 7 is a perspective view showing the cable clip in an example environment.  
The portions of the drawings shown in dashed lines form no part of the claimed subject matter.

- (56) **References Cited**  
U.S. PATENT DOCUMENTS  
429,038 A 5/1890 Kerr  
533,959 A 2/1895 Leffler

**1 Claim, 4 Drawing Sheets**



(56)

References Cited

U.S. PATENT DOCUMENTS

1,076,328 A	10/1913	Swim		6,220,575 B1	4/2001	Lindsay et al.	
1,107,858 A	8/1914	Smith		6,254,063 B1	7/2001	Rohde et al.	
1,117,214 A	11/1914	McFarland et al.		6,299,141 B1	10/2001	Lindsay et al.	
1,136,746 A	4/1915	White		6,330,998 B1	12/2001	Roy	
1,160,709 A	11/1915	Gerken		6,382,583 B1	5/2002	Hill, III et al.	
1,207,021 A	12/1916	Gossett		D458,116 S *	6/2002	Roethler .....	D8/367
1,249,186 A	12/1917	Perry		6,398,192 B1	6/2002	Albritton	
1,250,617 A	12/1917	Montel		6,434,883 B1	8/2002	Martin	
1,267,568 A	5/1918	McAllister		6,488,268 B1	12/2002	Albritton	
1,360,375 A	11/1920	Dammann		6,533,881 B1	3/2003	Wall	
1,643,100 A	9/1927	Thomas		6,563,055 B1	5/2003	Burdick	
1,754,712 A	4/1930	Gartner		6,695,293 B1	2/2004	Kamarad et al.	
1,828,349 A	10/1931	Williams		D489,963 S *	5/2004	Mazooji et al. ....	D8/370
1,857,435 A	5/1932	Cole		6,729,607 B2	5/2004	Alberson et al.	
1,860,615 A	5/1932	Kahn		6,783,116 B2	8/2004	Albritton	
1,892,222 A	12/1932	Russell		6,793,204 B2	9/2004	Albritton	
2,026,259 A	12/1935	Tarbox		D498,411 S *	11/2004	Randall .....	D8/370
2,204,559 A	6/1940	Ahles		6,857,621 B1	2/2005	Kamarad et al.	
2,265,698 A	12/1941	Opgenorth		6,863,264 B2	3/2005	Johansson et al.	
RE22,060 E	4/1942	Hayden et al.		D504,934 S *	5/2005	Amburgey .....	D22/149
2,854,101 A	9/1958	Carper		6,902,151 B1	6/2005	Nilsson	
2,861,122 A	11/1958	Flower		6,932,327 B2	8/2005	Alberson et al.	
3,161,263 A	12/1964	Stokes		6,948,703 B2	9/2005	Alberson et al.	
3,266,778 A	8/1966	Wogerbauer		6,962,328 B2	11/2005	Bergendahl	
3,353,795 A	11/1967	Muller		6,971,638 B2	12/2005	Burdick	
3,499,630 A	3/1970	Dashio		D532,074 S *	11/2006	Travis, Sr. ....	D22/149
3,671,017 A	6/1972	Sachs		7,207,516 B2	4/2007	Sheelar	
3,758,062 A	9/1973	Caldwell et al.		D546,147 S *	7/2007	Cullen .....	D8/16
3,972,511 A	8/1976	Balestrini		7,249,439 B2	7/2007	Pierce, Jr.	
4,119,302 A	10/1978	Moroco et al.		D554,980 S *	11/2007	Mihelis .....	D8/356
4,143,859 A	3/1979	Tews		7,364,137 B2	4/2008	Neusch	
4,266,757 A	5/1981	Kirkwood		7,367,549 B2	5/2008	Titmus	
4,270,737 A	6/1981	Binns et al.		7,398,960 B2	7/2008	Neusch	
4,462,572 A	7/1984	Hanneken		7,401,996 B2	7/2008	Neusch	
4,501,411 A	2/1985	Otaki		7,494,095 B2 *	2/2009	Walker et al. ....	248/48.2
4,536,989 A	8/1985	Caywood et al.		D587,470 S *	3/2009	Croisdale .....	D6/317
D281,950 S *	12/1985	Sachs .....	D8/370	7,556,242 B2	7/2009	Alberson et al.	
D283,787 S *	5/1986	Chap .....	D8/370	7,568,679 B2	8/2009	Neusch	
4,595,176 A	6/1986	Crabtree		D600,102 S *	9/2009	Larkin .....	D8/370
4,708,323 A	11/1987	Noakes		7,677,504 B2 *	3/2010	Hutchinson .....	E04D 13/076
4,714,221 A *	12/1987	Cawrey .....	A47F 5/0823 248/220.42				
4,784,515 A	11/1988	Krage et al.		7,757,996 B2 *	7/2010	Jacobs .....	248/64
4,803,819 A	2/1989	Kelsey		7,794,172 B2	9/2010	Winkler et al.	
4,838,523 A	6/1989	Humble et al.		7,798,741 B2	9/2010	Neusch	
4,867,421 A	9/1989	Vernon		7,823,852 B1 *	11/2010	Reno .....	248/302
4,881,721 A	11/1989	Manley		D629,291 S *	12/2010	Veilleux .....	D8/370
4,928,928 A	5/1990	Buth et al.		D631,332 S *	1/2011	Bauer et al. ....	D8/367
5,022,782 A	6/1991	Gertz et al.		D632,952 S *	2/2011	Dablemont .....	D8/367
5,039,066 A	8/1991	Stacey		D644,088 S *	8/2011	Gallaty .....	D8/354
5,044,609 A	9/1991	Cicinnati et al.		D648,208 S *	11/2011	Platt .....	D8/367
5,078,366 A	1/1992	Sicking et al.		8,162,361 B2 *	4/2012	Biddington .....	F24B 15/002 294/14
5,085,409 A	2/1992	Teixeira		D661,574 S *	6/2012	Platt .....	D8/367
5,110,094 A	5/1992	Kruse		8,246,013 B2	8/2012	Mauer et al.	
5,203,543 A	4/1993	Fleury		8,266,803 B2	9/2012	Neusch	
5,245,787 A	9/1993	Swenson et al.		D668,938 S *	10/2012	Morales .....	D8/367
5,350,155 A	9/1994	Burk		8,286,950 B2	10/2012	Neusch	
5,474,408 A	12/1995	Dinitz et al.		8,424,852 B2	4/2013	Anson et al.	
5,484,217 A	1/1996	Carroll et al.		8,549,725 B2	10/2013	Neusch	
5,490,661 A	2/1996	Stevens et al.		D698,105 S *	1/2014	Huster .....	D30/199
5,501,035 A	3/1996	Downer et al.		8,628,065 B2	1/2014	Reid	
5,503,495 A	4/1996	Mak et al.		8,857,796 B2	10/2014	Neusch	
D373,072 S *	8/1996	Durante .....	D8/367	9,228,306 B2	1/2016	Neusch	
5,630,292 A	5/1997	Heinz et al.		D753,984 S *	4/2016	Combs .....	D8/354
D404,127 S *	1/1999	Lammers .....	D24/141	D848,247 S *	5/2019	Gilenson .....	D8/370
5,855,443 A	1/1999	Faller et al.		D874,906 S *	2/2020	Ruddick .....	D8/356
5,916,028 A	6/1999	Downer et al.		2002/0014620 A1	2/2002	Nilsson	
5,924,680 A	7/1999	Sicking et al.		2003/0213946 A1	11/2003	Alberson et al.	
5,957,435 A	9/1999	Bronstad		2003/0215305 A1	11/2003	Alberson et al.	
5,967,497 A	10/1999	Denman et al.		2003/0222254 A1	12/2003	Bergendahl	
D422,888 S *	4/2000	Outten .....	D8/367	2005/0017231 A1	1/2005	Sheelar	
6,065,738 A	5/2000	Pearce et al.		2006/0043353 A1	3/2006	Titmus	
6,138,407 A *	10/2000	Pierce, Jr. ....	A01G 17/06 47/46	2006/0102884 A1	5/2006	Rohde et al.	
6,173,943 B1	1/2001	Welch et al.		2006/0145131 A1	7/2006	Purvis	

(56)

**References Cited**

U.S. PATENT DOCUMENTS

2006/0147261 A1 7/2006 Wong  
2007/0102689 A1 5/2007 Alberson et al.

FOREIGN PATENT DOCUMENTS

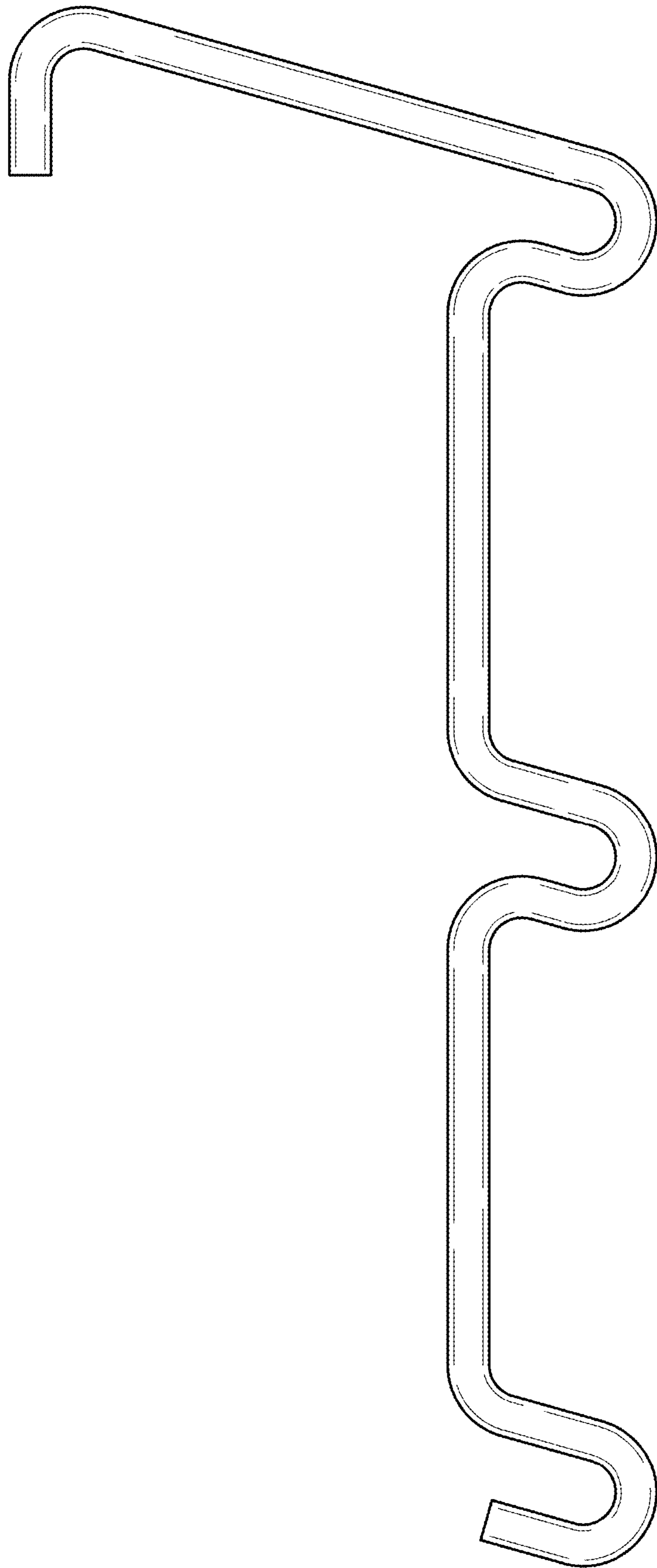
JP 2000-045233 A 5/2000  
KR 200228230 Y1 6/2001  
KR 200305609 Y1 2/2003  
KR 200318128 Y1 6/2003

OTHER PUBLICATIONS

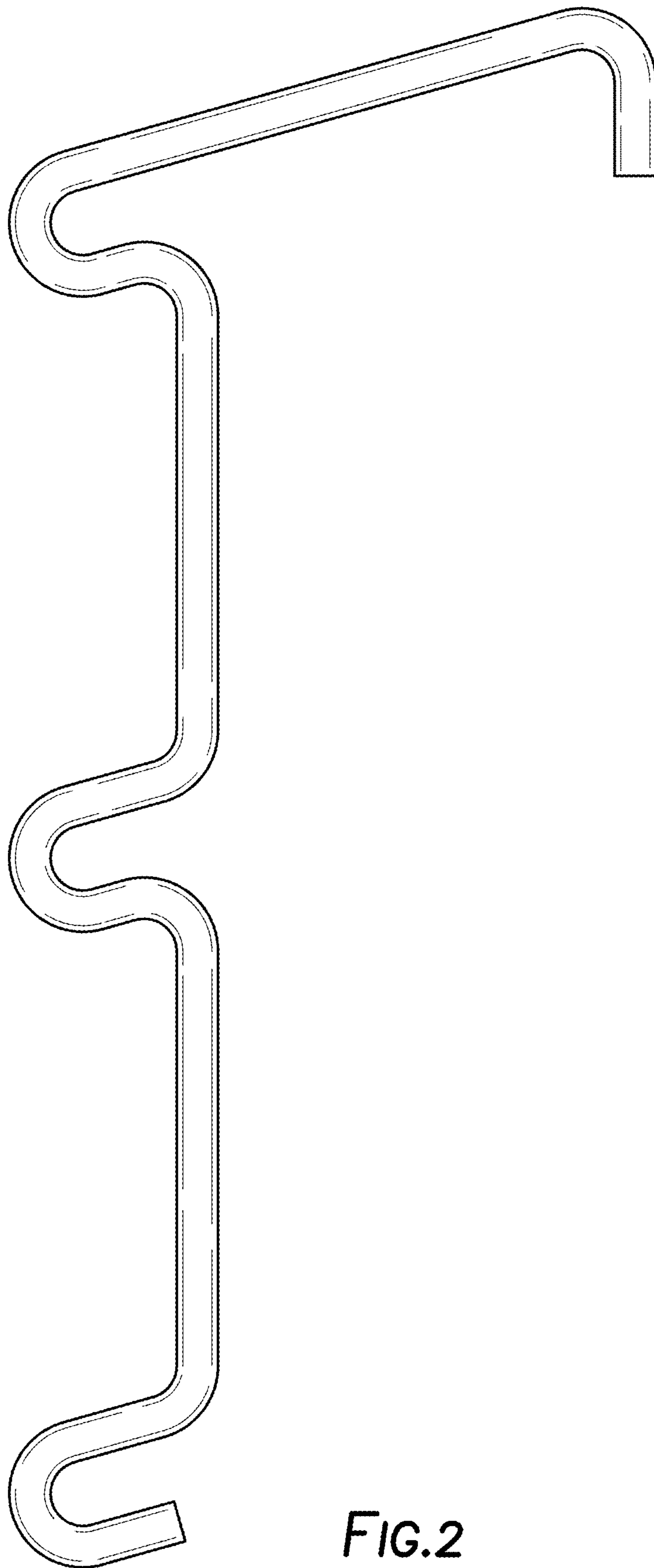
International Preliminary Report on Patentability for PCT/US2006/  
025115, dated Apr. 30, 2007.

International Preliminary Report on Patentability for PCT/US2006/  
025256, dated Jul. 2, 2007.

\* cited by examiner



*FIG. 1*



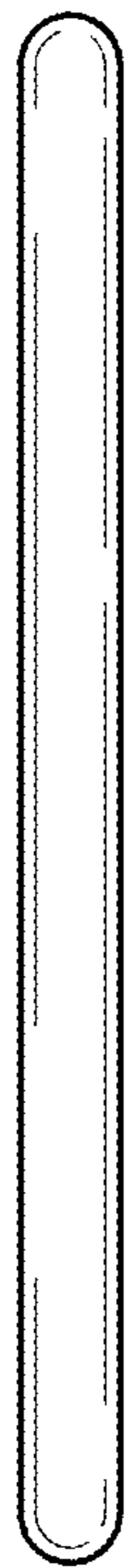
*FIG.2*



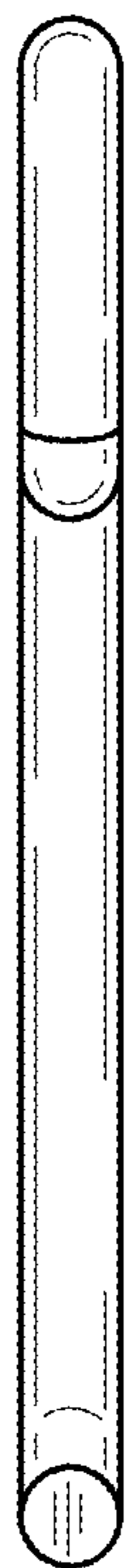
*FIG. 3*



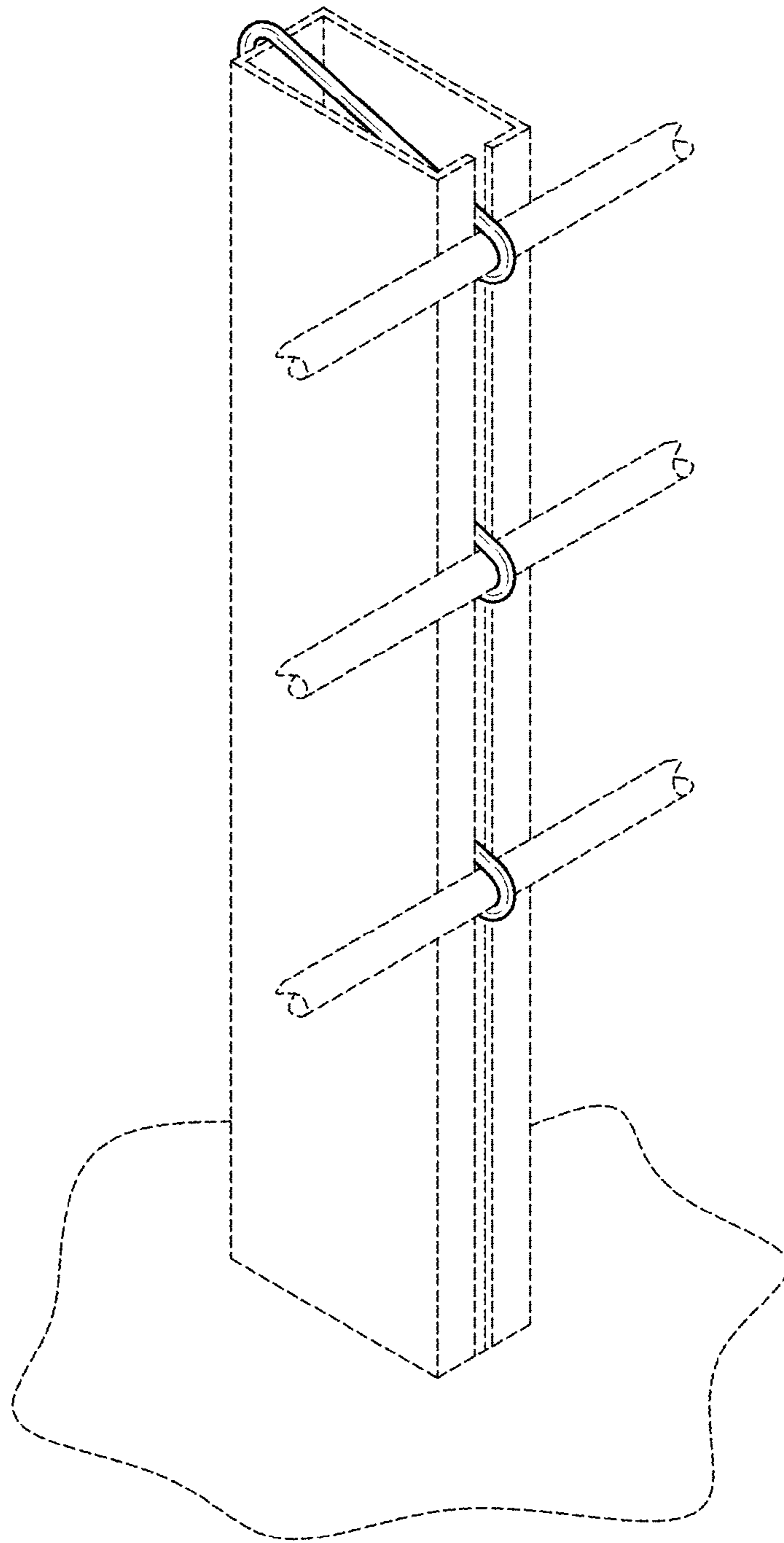
*FIG. 4*



**FIG. 5**



**FIG. 6**



**FIG. 7**