

US00D899905S

(12) **United States Design Patent**
Kennedy

(10) **Patent No.:** **US D899,905 S**

(45) **Date of Patent:** **** Oct. 27, 2020**

(54) **CONCEALMENT CAP FOR CABLE TENSIONING MECHANISM**

(71) Applicant: **Donald Erik Kennedy**, Tiger, GA (US)

(72) Inventor: **Donald Erik Kennedy**, Tiger, GA (US)

(**) Term: **15 Years**

(21) Appl. No.: **29/650,552**

(22) Filed: **Jun. 7, 2018**

(51) **LOC (12) Cl.** **09-06**

(52) **U.S. Cl.**
USPC **D8/356**

(58) **Field of Classification Search**
USPC D8/356, 354, 349, 360, 367, 399;
381/384; 52/655.1
CPC E02D 5/803; B63B 21/045; B63B 59/02;
B60D 1/18; B60P 7/0823; A44B 13/0029;
B65H 75/362; B66D 3/046; A45F 5/021;
E04H 17/266

See application file for complete search history.

(56) **References Cited**

U.S. PATENT DOCUMENTS

- 3,622,427 A * 11/1971 Kelly G01M 3/3209
277/651
- 3,895,879 A * 7/1975 Burtelson E04C 5/122
403/369
- 4,686,808 A * 8/1987 Triplett E04D 5/145
411/369
- D427,034 S * 6/2000 Cyrell D8/356
- D437,543 S * 2/2001 Mudryk D8/354
- D442,654 S * 5/2001 Buchanan D21/680
- 6,231,063 B1 * 5/2001 Chi B62K 21/06
280/276
- D472,133 S * 3/2003 Ball D8/356
- D483,660 S * 12/2003 Cheng D8/399

- D485,743 S * 1/2004 Wilson, Sr. D8/354
- 7,043,801 B2 * 5/2006 Toimil F16G 11/106
24/136 R
- 7,198,253 B2 * 4/2007 Striebel E04F 11/1834
254/231

(Continued)

OTHER PUBLICATIONS

“Cable Bullet Cable Rail System”, <https://www.cablebullet.com/>, reviewed Jan. 7, 2019.

Primary Examiner — Cynthia R Underwood
(74) *Attorney, Agent, or Firm* — Thomas | Horstemeyer, LLP

(57) **CLAIM**

The ornamental design for a concealment cap for cable tensioning mechanism, as shown and described.

DESCRIPTION

FIG. 1 is a perspective view of the concealment cap for cable tensioning mechanism used with a horizontal support member;

FIG. 2 is a perspective view thereof, in an alternate condition of use;

FIG. 3 is another perspective view thereof, used with a vertical support member;

FIG. 4 is an enlarged exploded perspective view thereof, used with a horizontal support member;

FIG. 5 is an assembled perspective view therefor;

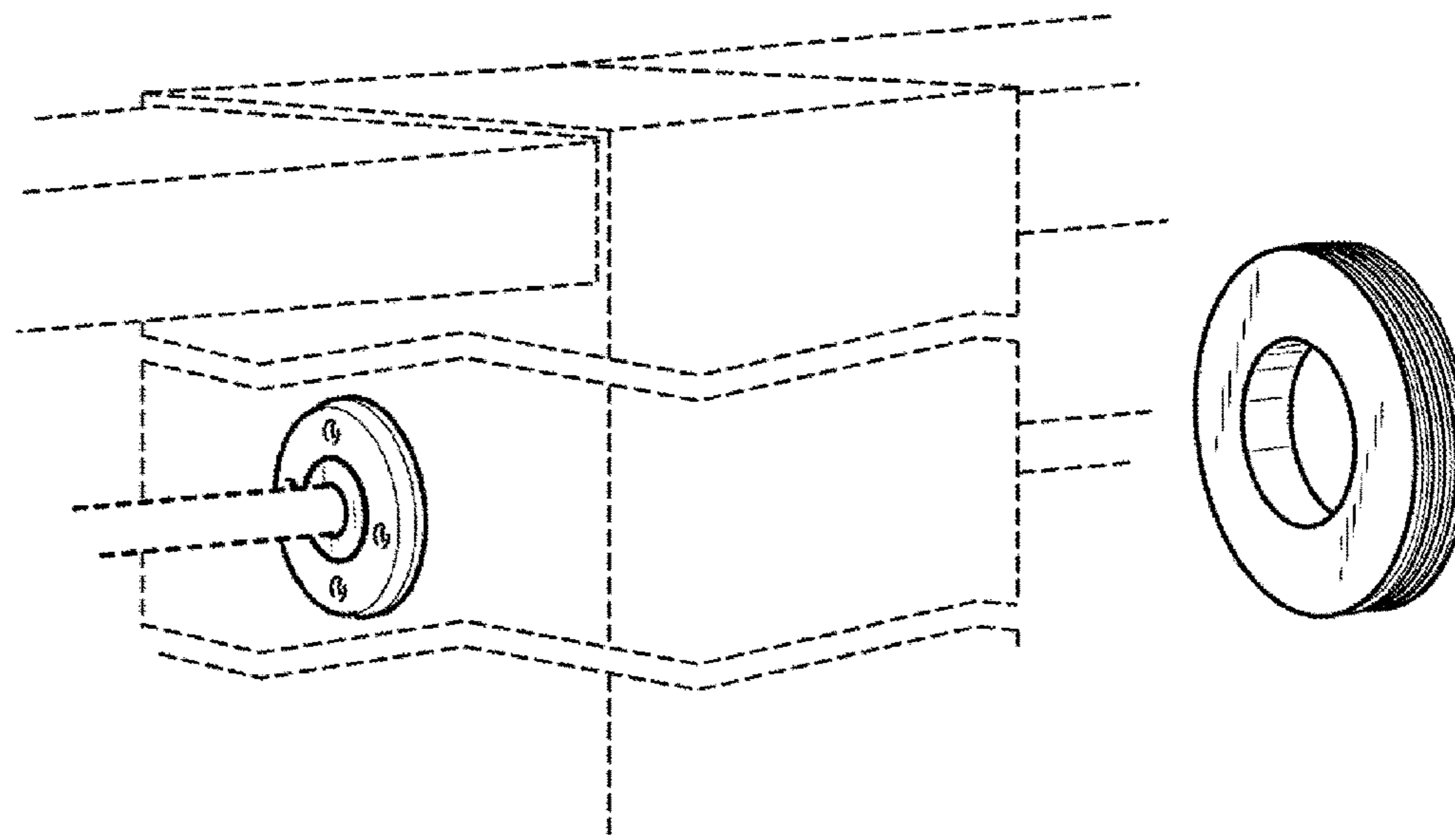
FIG. 6 is a perspective view of the threaded portion of the the concealment cap for cable tensioning mechanism shown separated for ease of viewing;

FIG. 7 is a side view thereof; and,

FIG. 8 is a front view thereof.

The concealment cap for cable tensioning mechanism is for concealing a tensioning mechanism situated inside a vertical or horizontal support member of a cable railing system. The broken lines in the drawings are for the purpose of illustrating the environment and form no part of the claimed design.

1 Claim, 4 Drawing Sheets



(56)

References Cited

U.S. PATENT DOCUMENTS

D542,123 S *	5/2007	Symons	D8/356	D831,469 S *	10/2018	Walton	D8/356
D566,603 S *	4/2008	Bulgari	D11/7	D832,100 S *	10/2018	Deylamian	D9/443
7,374,405 B2 *	5/2008	Wobben	B65D 85/68	D835,979 S *	12/2018	Lin	D8/399
			416/244 R	10,221,522 B1 *	3/2019	Henderson	D07B 1/06
7,399,199 B2 *	7/2008	Symons	H01R 13/72	D844,424 S *	4/2019	MacDonald	D8/399
			439/242	10,253,801 B2 *	4/2019	Leichti	F16B 35/00
D575,659 S *	8/2008	Cunningham	D11/7	D848,207 S *	5/2019	Holding	D7/391
D591,678 S *	5/2009	Whitley	D13/133	D848,310 S *	5/2019	Budnick	D11/148
D598,480 S *	8/2009	Kanemitsu	D15/148	D848,784 S *	5/2019	Hazelton	D7/391
7,614,611 B1 *	11/2009	Walton	F16H 55/36	D849,469 S *	5/2019	Hazelton	D7/391
			254/393	10,309,097 B2 *	6/2019	Hill	A47G 7/045
D637,877 S *	5/2011	Elkins	D8/44	D857,491 S *	8/2019	Bell	D8/399
D644,306 S *	8/2011	Douglass, III	D23/269	2003/0006405 A1 *	1/2003	Striebel	E04F 11/1812
D644,921 S *	9/2011	Hsu	D8/399				256/67
D645,337 S *	9/2011	Hsu	D8/399	2003/0033780 A1 *	2/2003	Hasan	E04D 5/14
D654,348 S *	2/2012	Musselman	D8/349				52/410
8,195,313 B1 *	6/2012	Fadell	F24F 11/30	2003/0122023 A1 *	7/2003	Pitcher	B65H 75/143
			700/83				242/388.1
D663,243 S *	7/2012	Li	D12/118	2004/0178398 A1 *	9/2004	Miller	F16H 55/44
8,590,255 B2 *	11/2013	Daudet	E04B 1/1903				254/390
			52/655.1	2005/0230076 A1 *	10/2005	Gregory	B22D 19/00
D696,932 S *	1/2014	Rodenhouse	D8/399				164/54
D701,448 S *	3/2014	Rodwin	D8/356	2005/0251972 A1 *	11/2005	Gregory	B22D 17/22
8,814,145 B2	8/2014	Herman					24/136 R
9,126,289 B2	9/2015	Herman		2006/0185289 A1 *	8/2006	Gong	E04D 5/145
D748,973 S *	2/2016	Rodenhouse	D8/399				52/410
9,249,577 B2 *	2/2016	Ross	E04F 11/1859	2008/0310932 A1 *	12/2008	McIntyre	B29C 70/80
D772,042 S *	11/2016	Polovin	D8/356				411/150
D774,877 S *	12/2016	Gonzalez	D8/356	2010/0233416 A1 *	9/2010	Parziale	E04D 5/145
D779,360 S *	2/2017	Vaughan	D11/7				428/66.6
D780,303 S *	2/2017	Kassouni	D24/101	2013/0087753 A1 *	4/2013	Landry	E04H 17/10
9,784,385 B1 *	10/2017	Striebel	F16L 3/13				256/47
D805,885 S *	12/2017	Karmarkar	D8/382	2013/0340375 A1 *	12/2013	Hill	E04B 1/1903
9,849,497 B2 *	12/2017	Daudet	E04B 2/763				52/655.1
D821,863 S *	7/2018	Garcia Blanco	D8/399	2014/0007541 A1 *	1/2014	Hill	E04B 1/40
10,082,169 B2 *	9/2018	Niesley	G11B 33/08				52/655.1
D831,467 S *	10/2018	Crichton	D8/356	2016/0330916 A1 *	11/2016	Budnick	A01G 9/02
				2019/0352926 A1 *	11/2019	Kennedy	E04H 17/266

* cited by examiner

FIG. 1

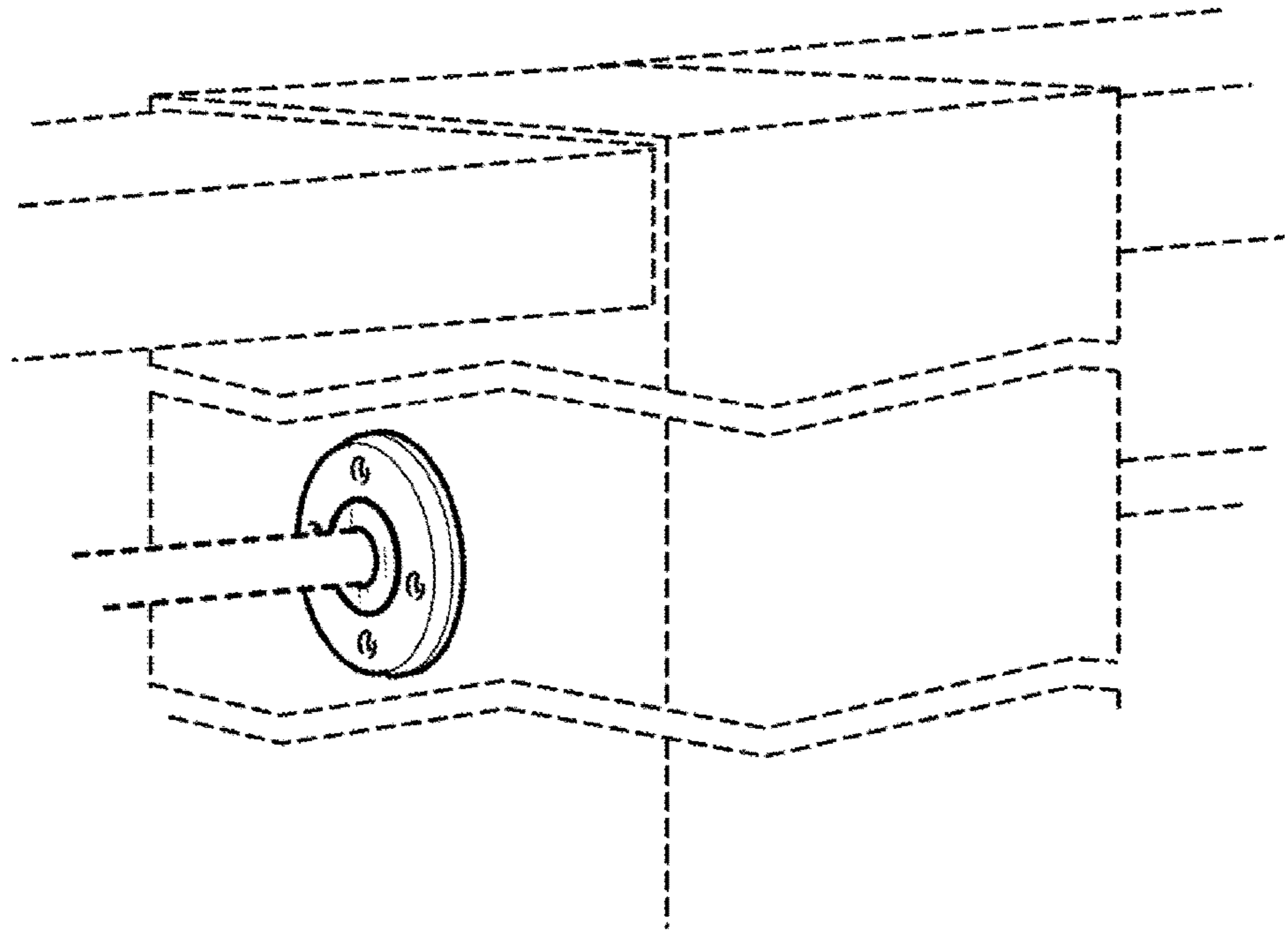
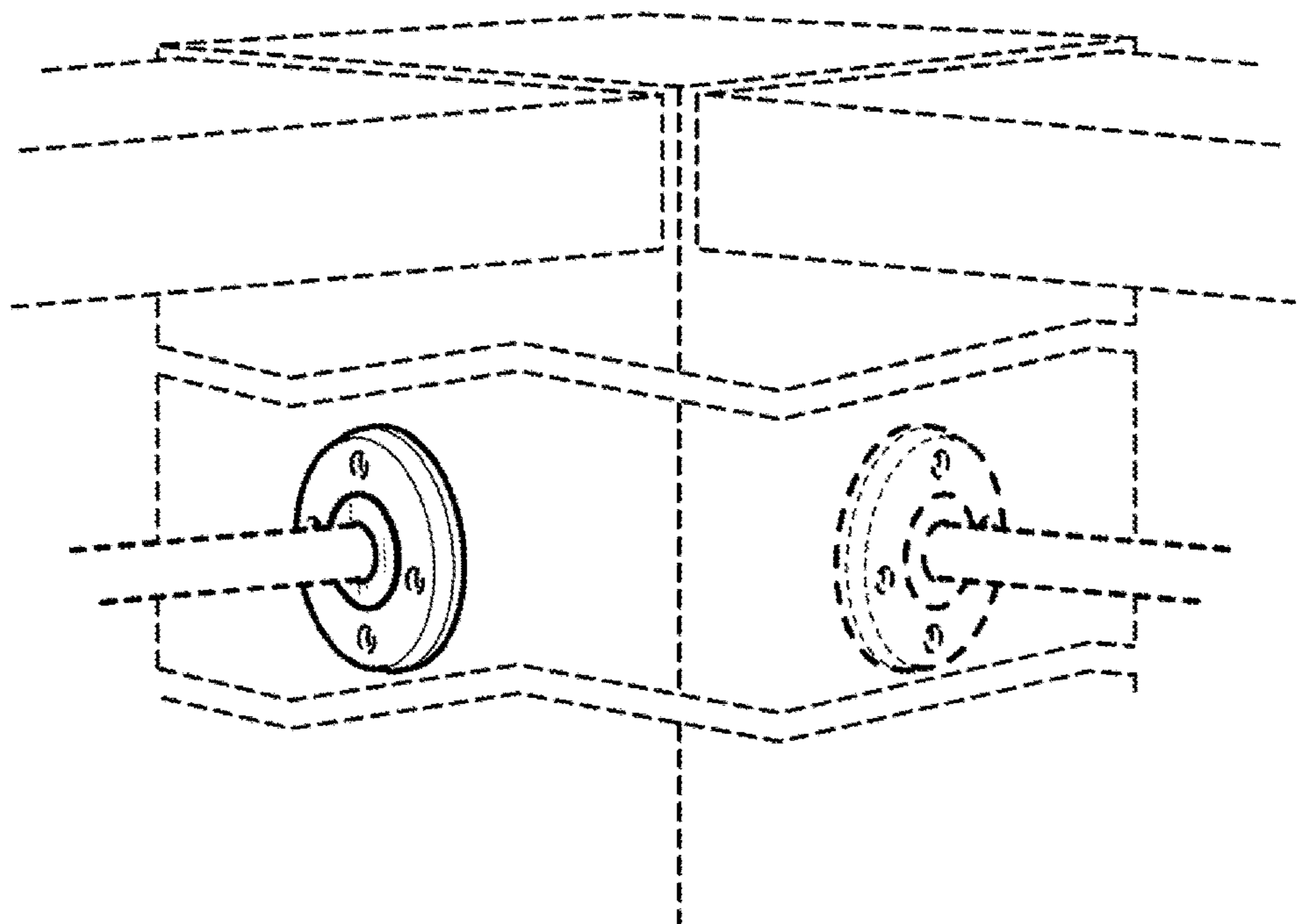


FIG. 2



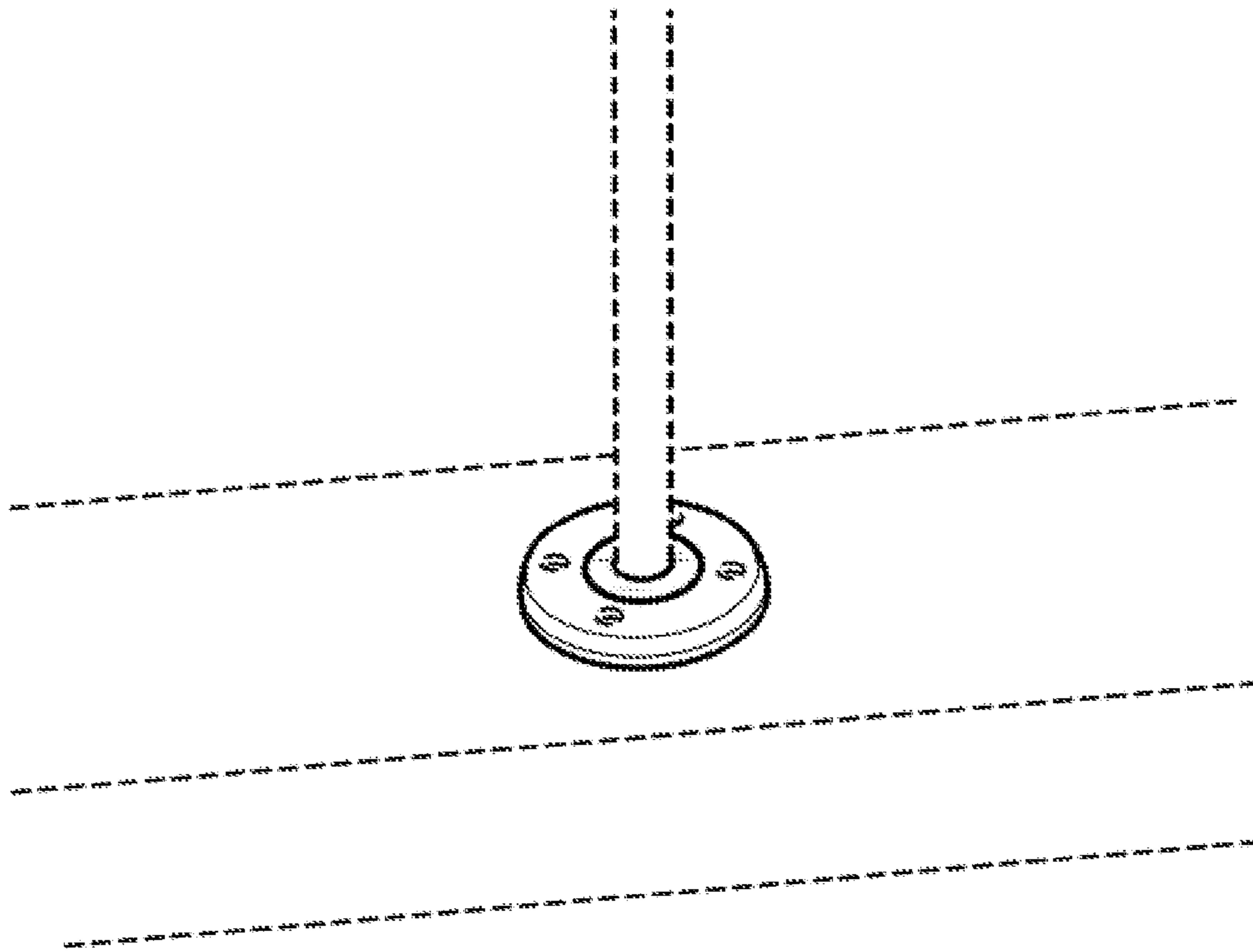


FIG. 3

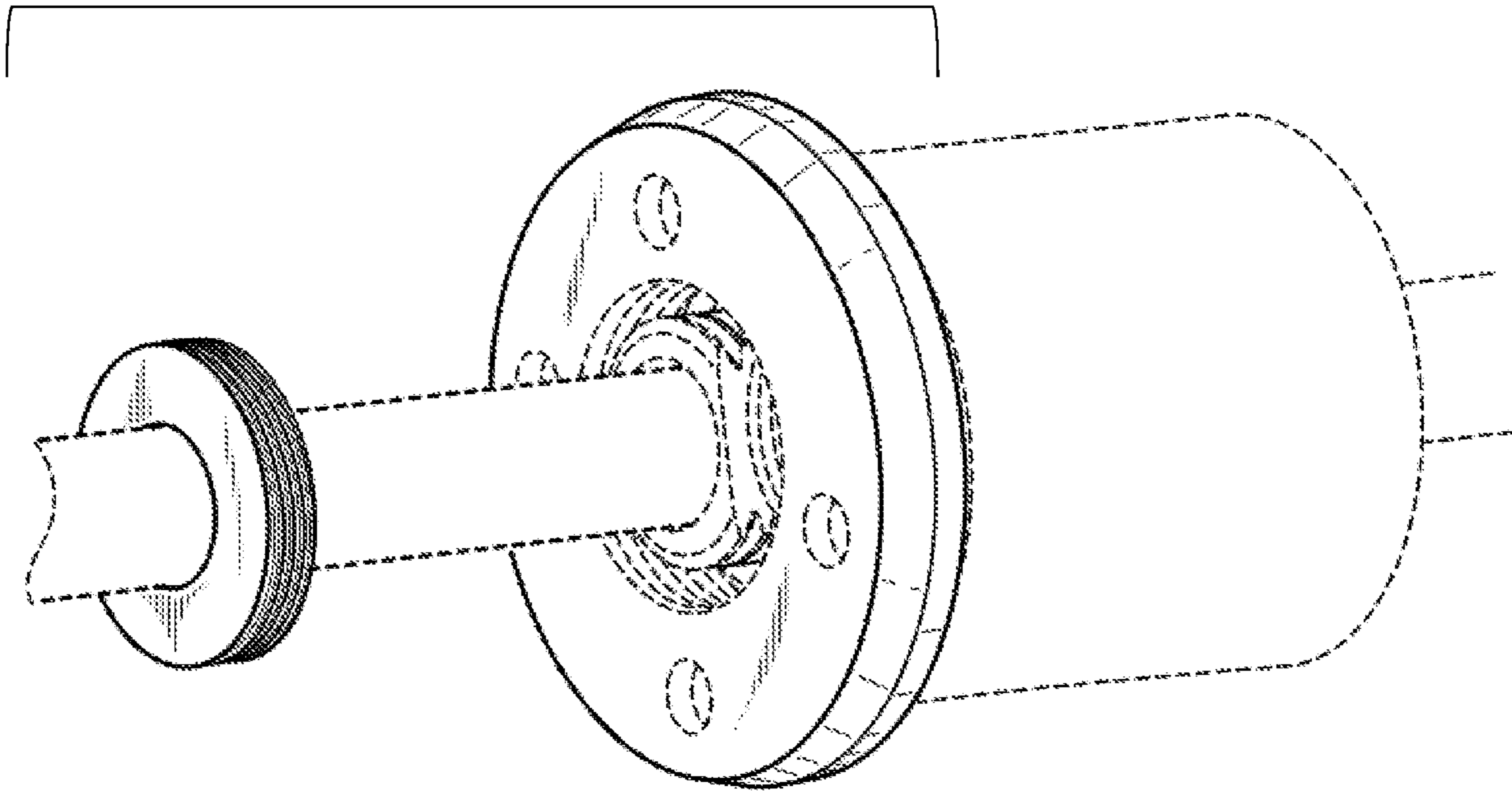


FIG. 4

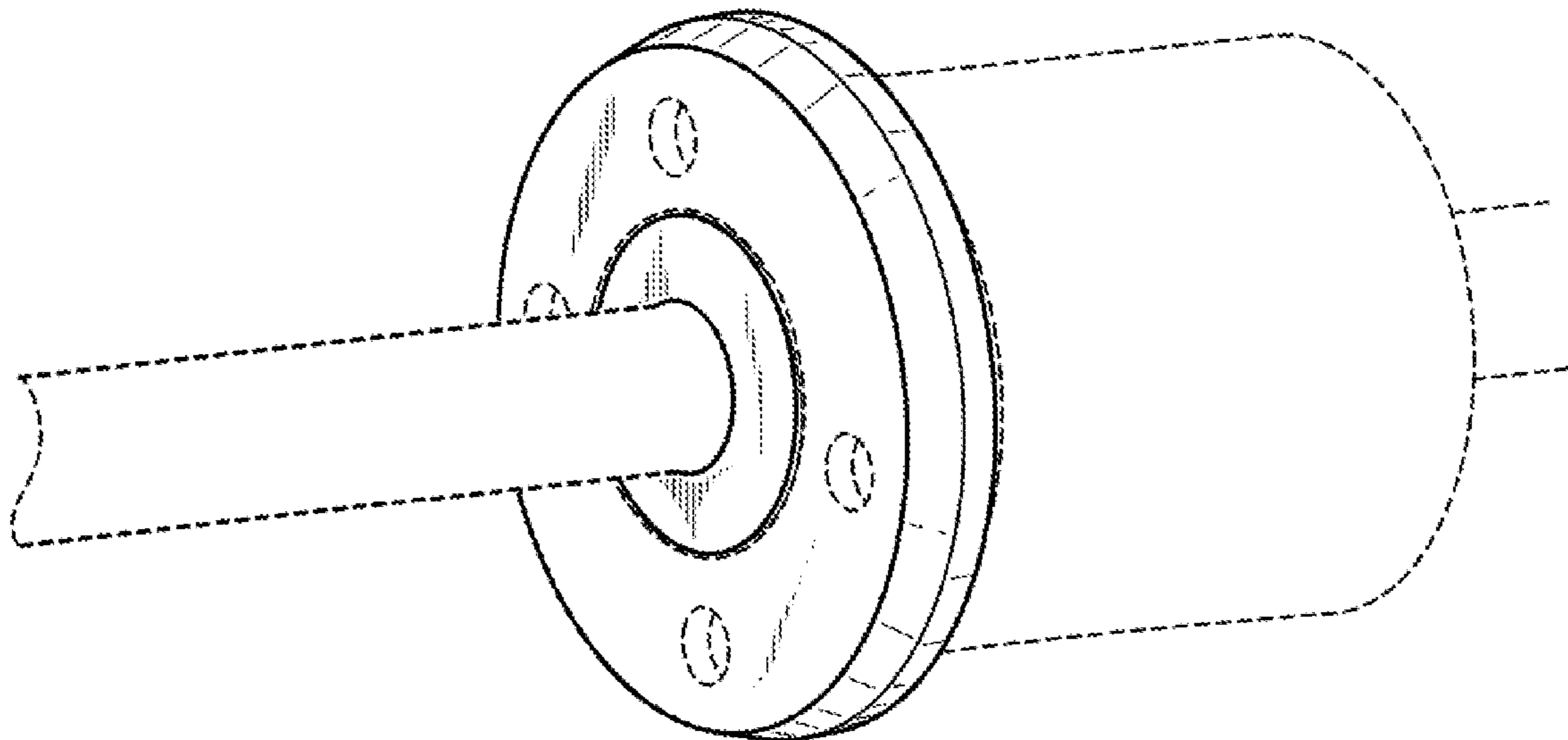


FIG. 5

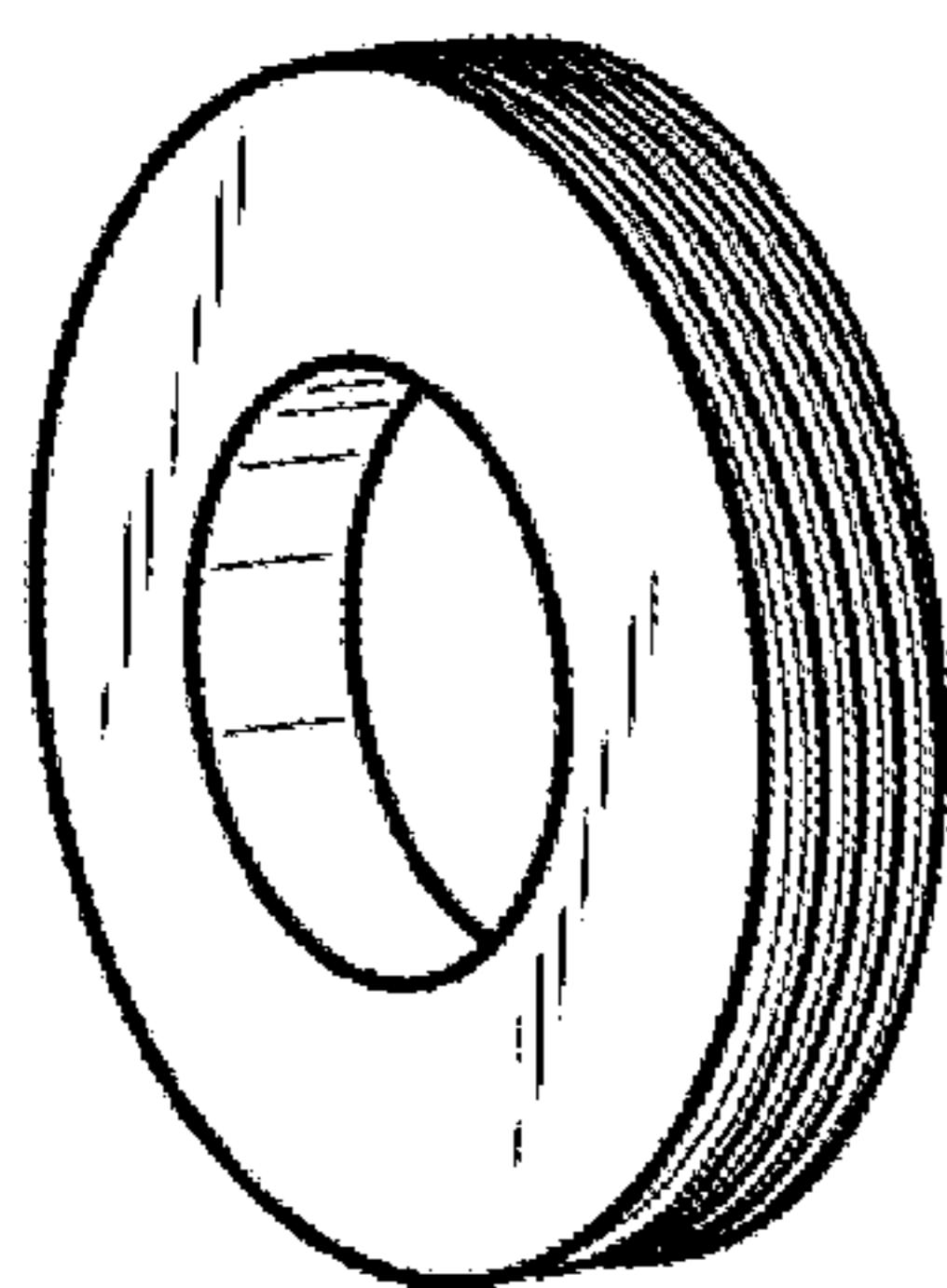


FIG. 6

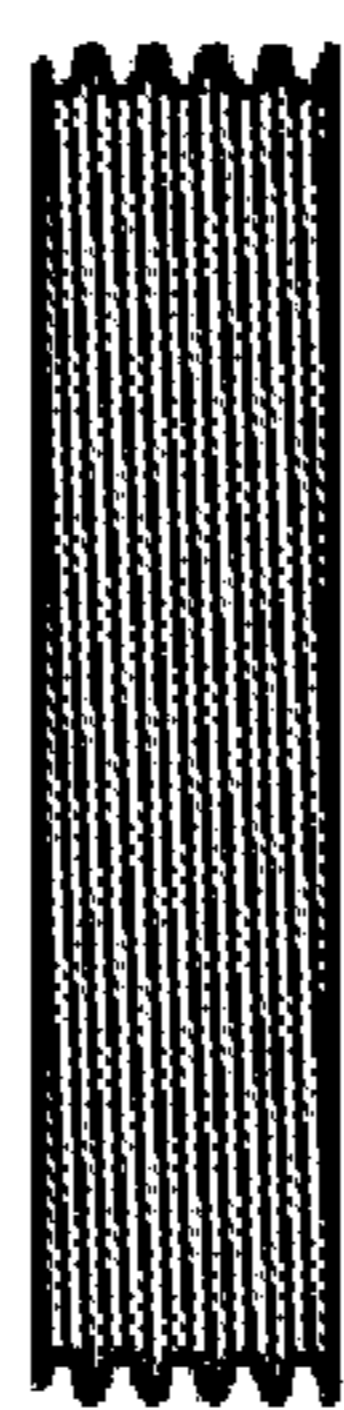


FIG. 7

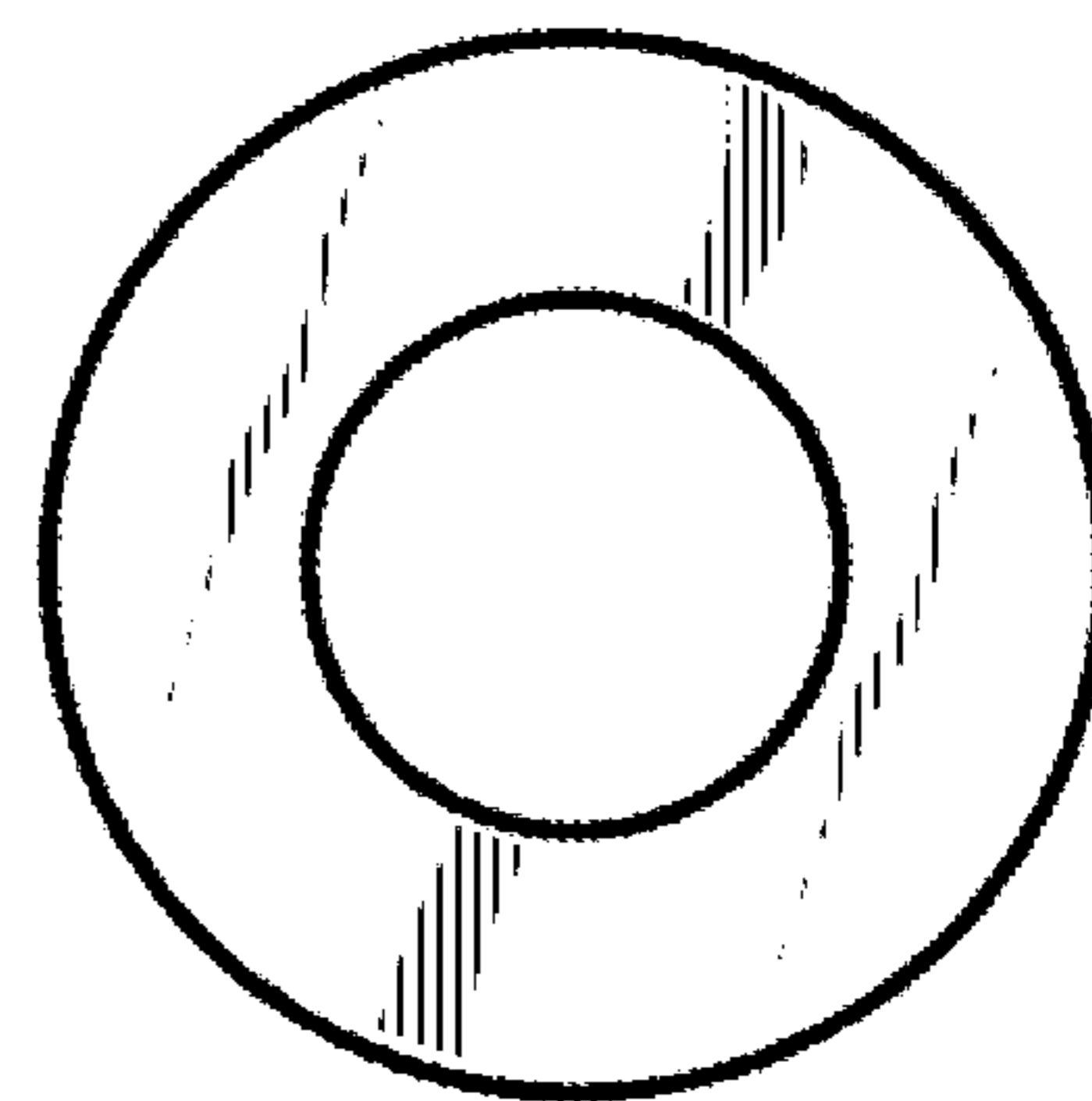


FIG. 8