



US00D899904S

(12) **United States Design Patent** (10) **Patent No.:** **US D899,904 S**
Barnes et al. (45) **Date of Patent:** **** Oct. 27, 2020**

- (54) **ELONGATED PILE GUIDE FOR DOCKS**
- (71) Applicants: **Sean A. Barnes**, Mt. Pleasant, SC (US);
Michael W. Kirby, Mt. Pleasant, SC (US)
- (72) Inventors: **Sean A. Barnes**, Mt. Pleasant, SC (US);
Michael W. Kirby, Mt. Pleasant, SC (US)
- (**) Term: **15 Years**
- (21) Appl. No.: **29/723,579**
- (22) Filed: **Feb. 7, 2020**
- (51) **LOC (12) Cl.** **08-05**
- (52) **U.S. Cl.**
USPC **D8/354**; D8/382
- (58) **Field of Classification Search**
USPC D8/354, 356, 349, 355, 382, 385, 386,
D8/388; D25/133
CPC . E02B 3/064; E02B 3/068; E02B 3/28; E01D
15/14; B63C 1/02; B63B 35/34; B63B
21/00; F16C 11/04; E04H 12/2269; E04H
12/2253; E04H 12/2292
See application file for complete search history.

- (56) **References Cited**
U.S. PATENT DOCUMENTS
D364,794 S * 12/1995 Eberschlag D8/354
5,568,909 A * 10/1996 Timko E04H 12/2261
248/519
D399,724 S * 10/1998 Barringer D8/354
6,015,139 A * 1/2000 Weber E04F 11/1812
256/65.14
6,640,517 B2 * 11/2003 Mitchell E04C 3/34
52/298
D488,704 S * 4/2004 Mercier D8/354
6,886,296 B1 * 5/2005 John E02D 5/60
248/519
D506,668 S 6/2005 Black

- D547,463 S * 7/2007 Gross D25/133
- 7,627,994 B1 * 12/2009 Demirkan E04H 12/2269
248/530
- D610,717 S * 2/2010 Lin E04H 12/2261
D25/133
- D610,718 S * 2/2010 Ringus D25/133
- D626,824 S * 11/2010 Wood D8/381
- 8,074,955 B2 * 12/2011 Kumar E04H 12/2292
248/519
- D671,397 S * 11/2012 McLaughlin D8/388
- D726,342 S * 4/2015 Rodriguez D25/133
- 9,004,439 B2 * 4/2015 Gross E04H 12/2261
248/507
- D728,831 S * 5/2015 Rodriguez D25/133
- 9,102,092 B2 * 8/2015 Mukith B29C 65/565
- D754,880 S * 4/2016 Reusing D25/133
- D756,202 S * 5/2016 Leduc D8/354
- 9,487,925 B1 11/2016 Meriweather et al.

(Continued)

Primary Examiner — Sandra Snapp
Assistant Examiner — Ieisha N Price
(74) *Attorney, Agent, or Firm* — B. Craig Killough

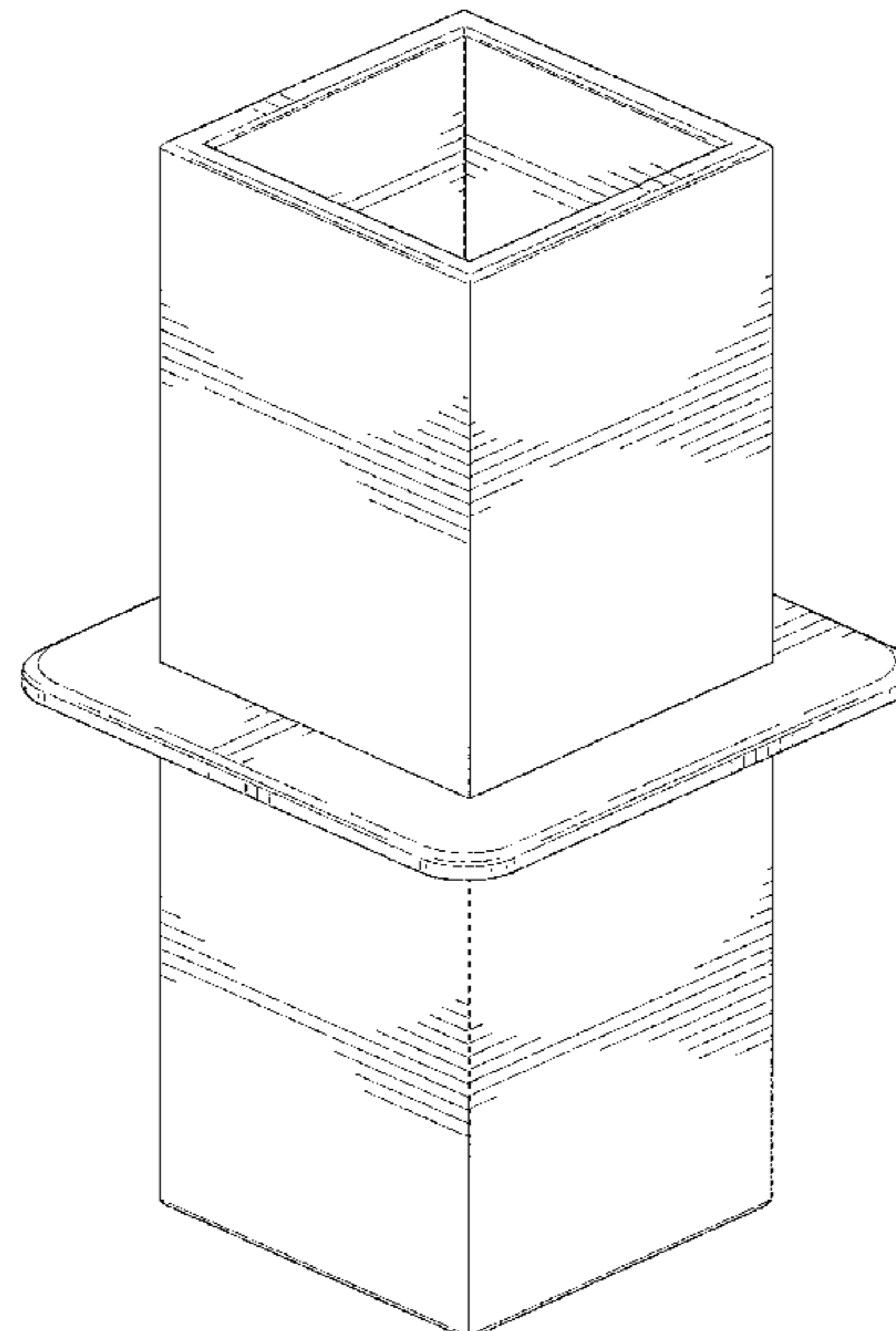
(57) **CLAIM**

The ornamental design for an elongated pile guide for docks, as shown and described.

DESCRIPTION

FIG. 1 is a top perspective view of an elongated pile guide for docks showing the new design;
FIG. 2 is a front elevation of the elongated pile guide for docks;
FIG. 3 is a rear elevation of the elongated pile guide for docks; the right side elevation and the left side elevation are identical to the rear elevation of the elongated pile guide for docks;
FIG. 4 is a top plan view of the elongated pile guide for docks; and,
FIG. 5 is a bottom plan view of the elongated pile guide for docks.

1 Claim, 5 Drawing Sheets



(56)

References Cited

U.S. PATENT DOCUMENTS

D826,702	S	8/2018	Barnes et al.	
D828,746	S	9/2018	Barnes et al.	
D828,747	S	9/2018	Barnes et al.	
D837,041	S	1/2019	Barnes et al.	
10,202,766	B1 *	2/2019	Fox	E04B 7/045
10,267,003	B2	4/2019	Barnes et al.	
10,316,508	B1 *	6/2019	Hendry	E04B 1/2403
10,358,811	B1 *	7/2019	Fox	E04B 7/045
D858,255	S *	9/2019	Fox	D8/354
D884,928	S *	5/2020	Gordon	D25/133
D887,251	S *	6/2020	Fox	D8/354
2005/0098772	A1 *	5/2005	Fuoco	E04G 21/3223
				256/65.14
2007/0267552	A1 *	11/2007	Meyer	E04H 12/2261
				248/156
2011/0274502	A1	11/2011	Tibedo et al.	
2012/0001051	A1 *	1/2012	Williams	A47G 29/1216
				248/519
2018/0266066	A1 *	9/2018	Barnes	E02B 3/064
2020/0217099	A1 *	7/2020	Landwehr, IV	E04H 12/2269

* cited by examiner

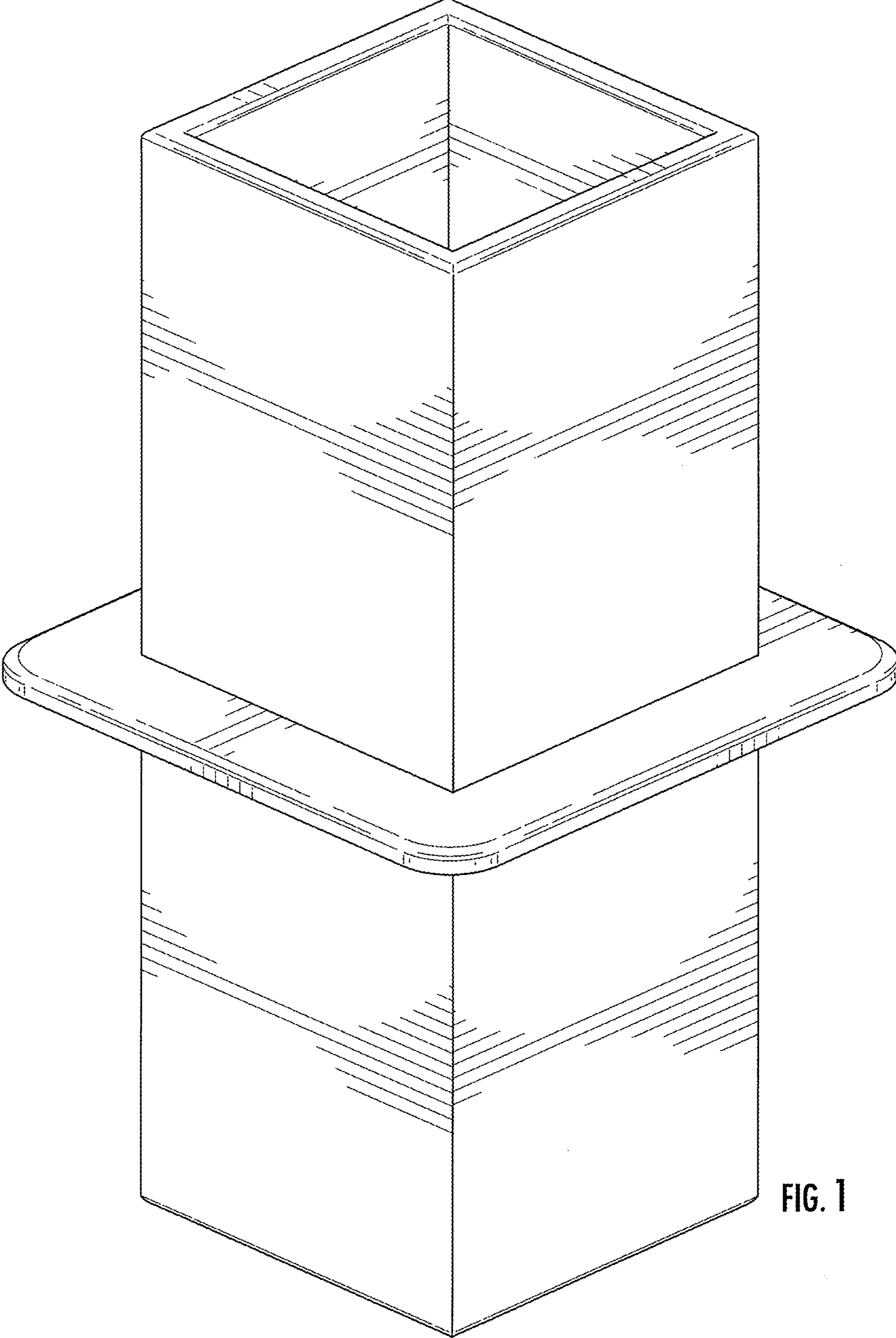


FIG. 1

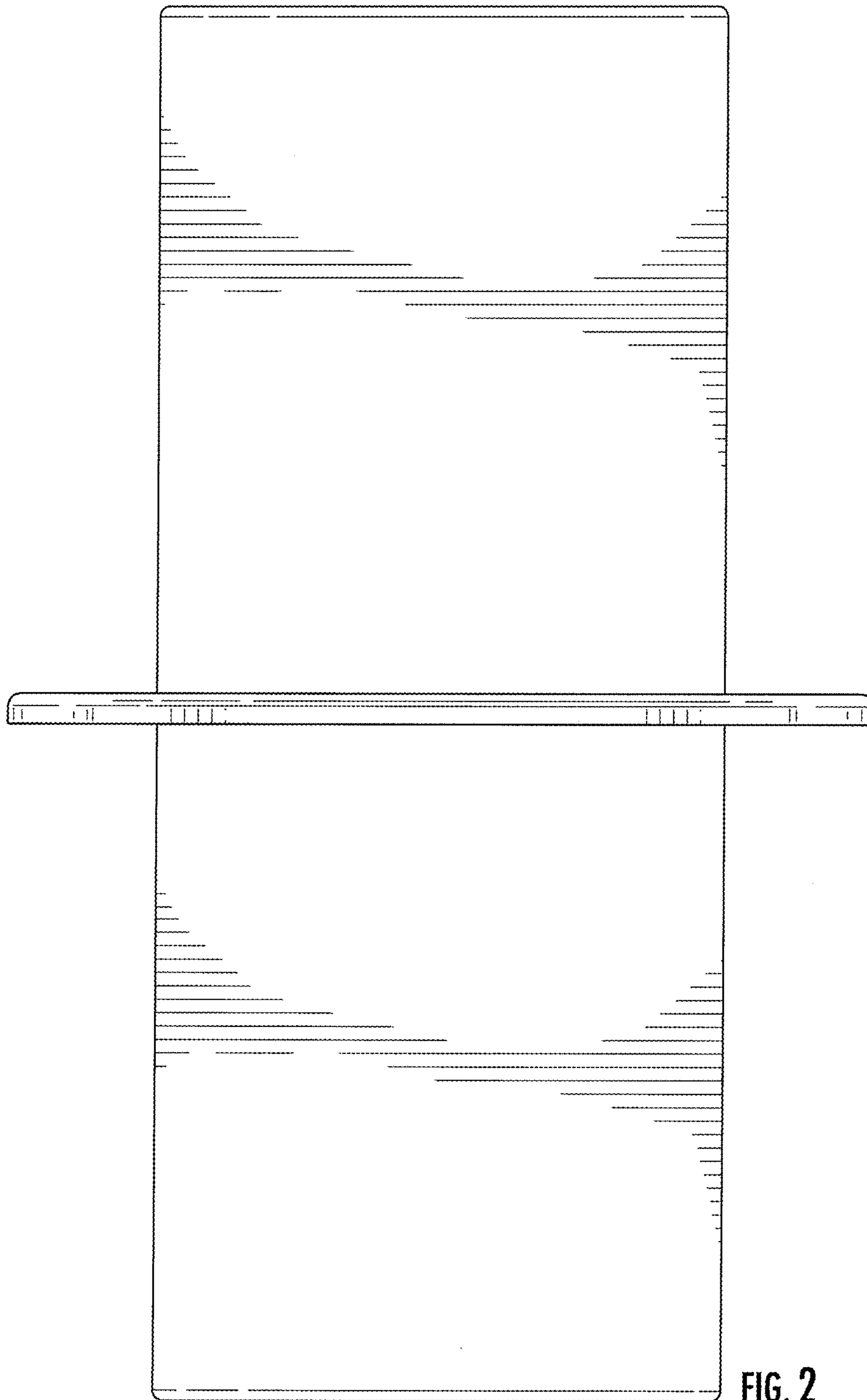
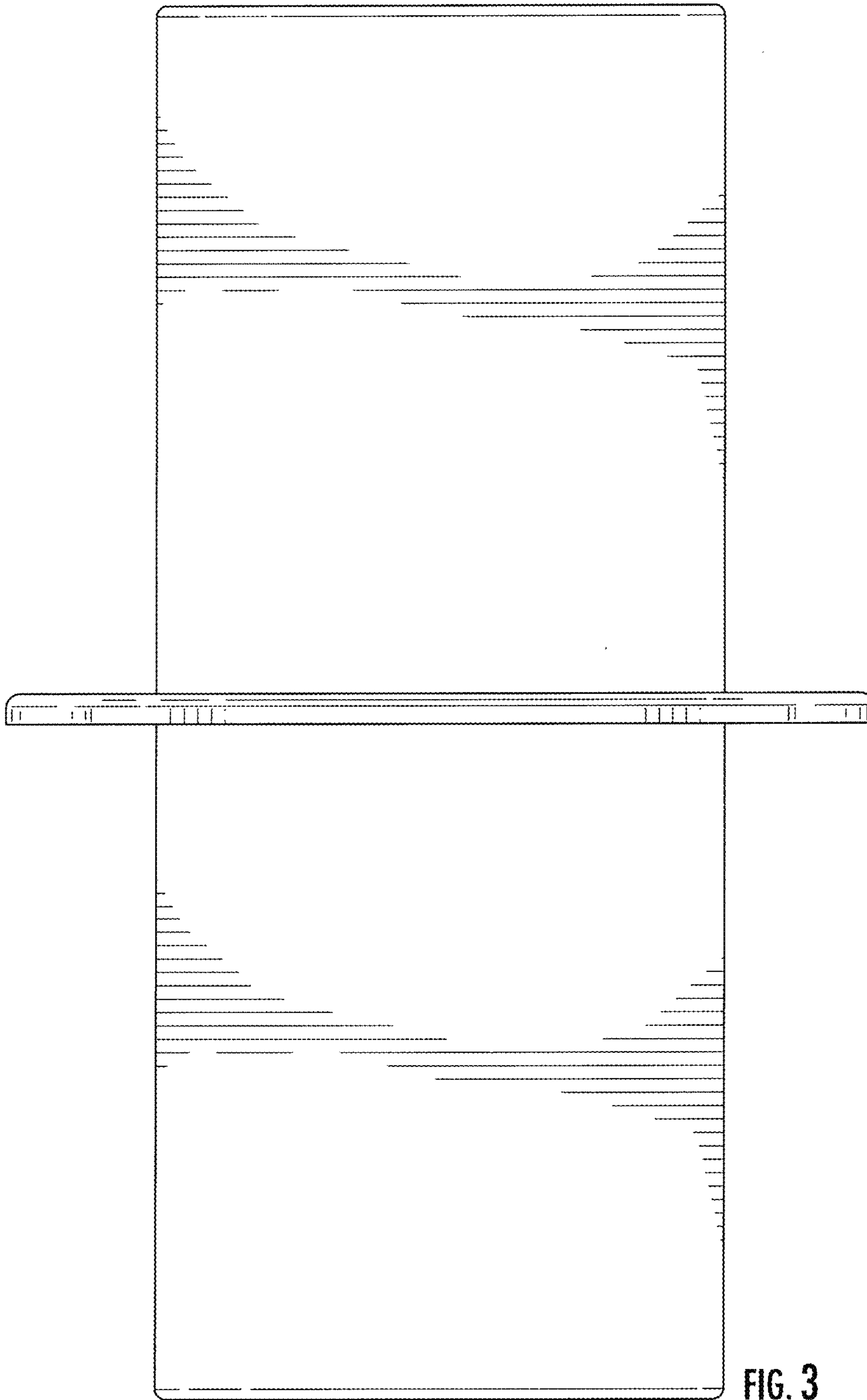


FIG. 2



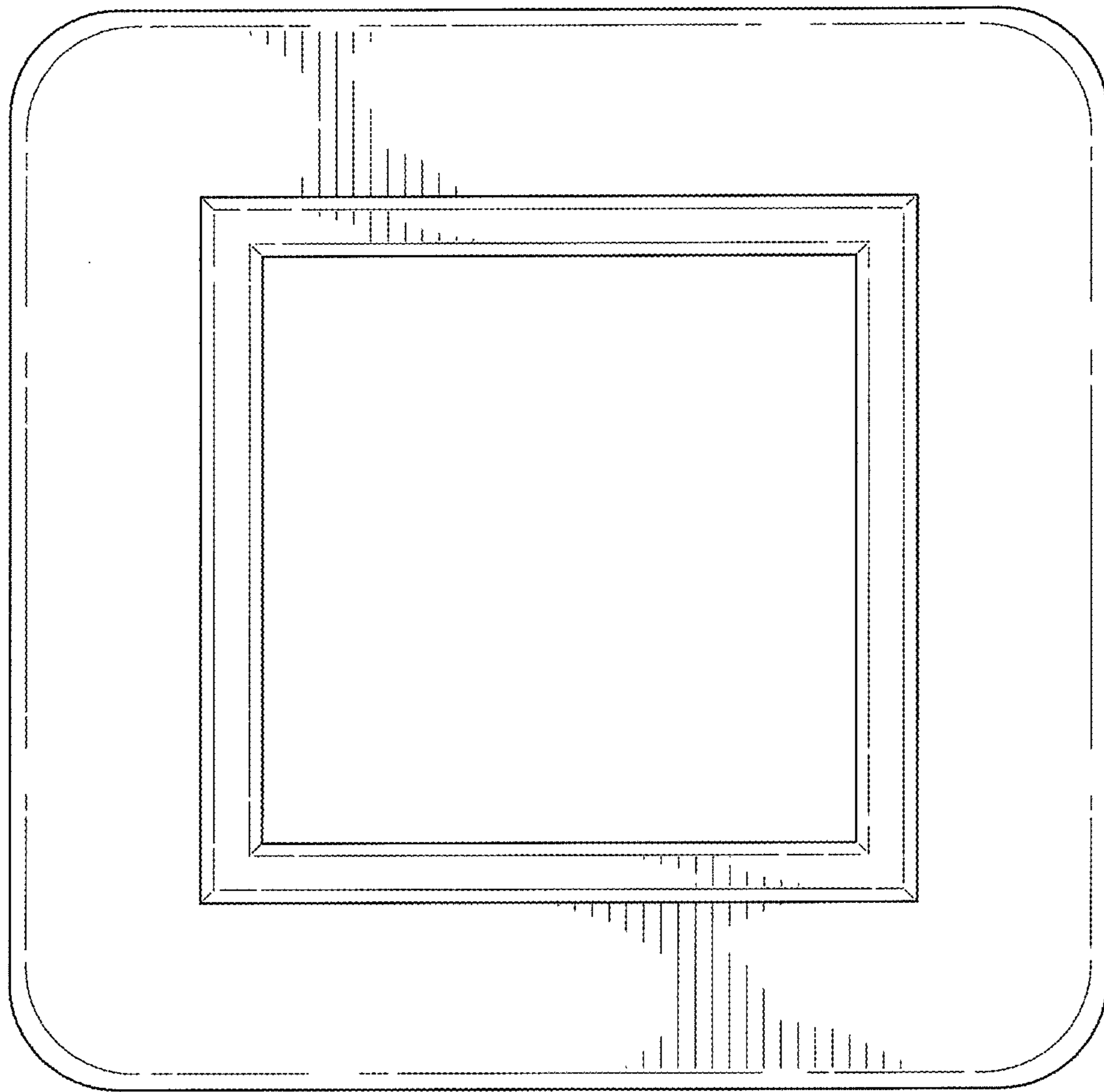


FIG. 4

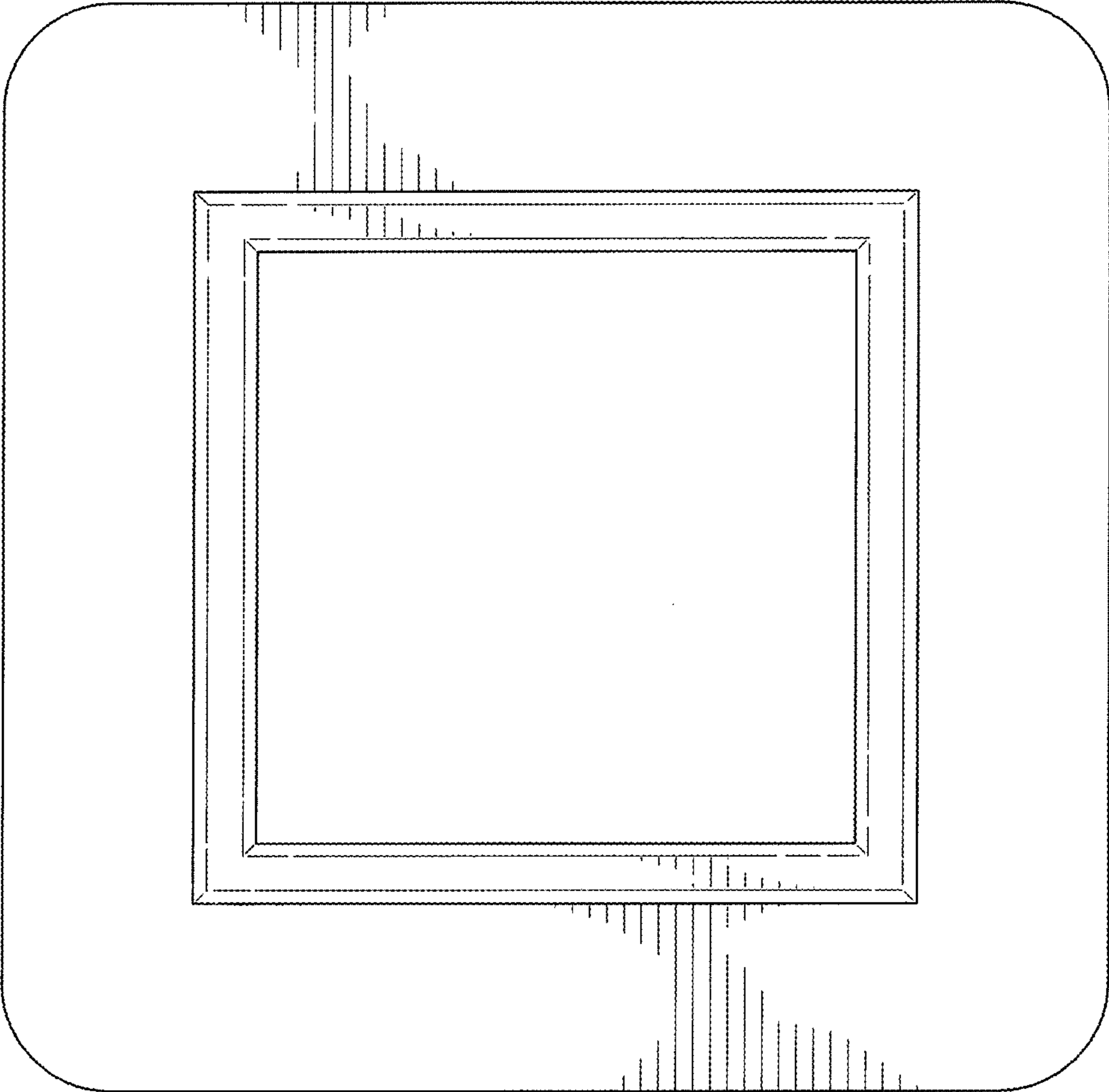


FIG. 5