



US00D899902S

(12) **United States Design Patent**
Barnes

(10) **Patent No.:** **US D899,902 S**

(45) **Date of Patent:** **** Oct. 27, 2020**

(54) **FLOATING PILE GUIDE FOR DOCKS**

(71) Applicant: **Sean A. Barnes**, Mt. Pleasant, SC (US)

(72) Inventor: **Sean A. Barnes**, Mt. Pleasant, SC (US)

(**) Term: **15 Years**

(21) Appl. No.: **29/722,469**

(22) Filed: **Jan. 30, 2020**

(51) **LOC (12) Cl.** **08-05**

(52) **U.S. Cl.**

USPC **D8/354**; D8/382

(58) **Field of Classification Search**

USPC D8/354, 356, 349, 355, 382, 385, 386,
D8/388; D25/133

CPC . E02B 3/064; E02B 3/068; E02B 3/28; E01D
15/14; B63C 1/02; B63B 35/34; B63B
21/00; F16C 11/04; E04H 12/2269; E04H
12/2253; E04H 12/2292

See application file for complete search history.

(56) **References Cited**

U.S. PATENT DOCUMENTS

| | | | | |
|--------------|---------|--------------|-------|--------------|
| D257,325 S * | 10/1980 | Jones | | D25/199 |
| D364,794 S * | 12/1995 | Eberschlag | | D8/354 |
| D369,958 S * | 5/1996 | Huang | | D8/382 |
| D376,529 S * | 12/1996 | Davies | | D8/349 |
| D408,273 S * | 4/1999 | Senninger | | D8/356 |
| D422,885 S * | 4/2000 | Marino | | D8/354 |
| D434,637 S * | 12/2000 | Habeck | | D8/349 |
| D474,676 S * | 5/2003 | Bainbridge | | D8/354 |
| D479,117 S * | 9/2003 | Mercier | | D8/354 |
| D488,704 S * | 4/2004 | Mercier | | D8/354 |
| D492,893 S * | 7/2004 | Oddsens, Jr. | | D8/354 |
| D506,668 S | 6/2005 | Black | | |
| D547,463 S * | 7/2007 | Gross | | D25/133 |
| D563,776 S * | 3/2008 | Dagg | | D8/382 |
| D571,645 S * | 6/2008 | Skoog | | D8/382 |
| D583,219 S * | 12/2008 | Dagg | | D8/349 |
| D610,717 S * | 2/2010 | Lin | | E04H 12/2261 |
| | | | | D25/133 |
| D610,718 S * | 2/2010 | Ringus | | D25/133 |

| | | | | |
|----------------|---------|--------------|-------|--------------|
| 8,074,955 B2 * | 12/2011 | Kumar | | E04H 12/2292 |
| | | | | 248/519 |
| D671,397 S * | 11/2012 | McLaughlin | | D8/388 |
| D673,306 S * | 12/2012 | Chung | | D25/133 |
| D689,207 S * | 9/2013 | Benet | | D25/133 |
| D695,091 S * | 12/2013 | Nunez Farfan | | D8/354 |
| 8,864,096 B1 * | 10/2014 | Fox | | E04H 12/2292 |
| | | | | 248/534 |
| 9,004,439 B2 * | 4/2015 | Gross | | E04H 12/2261 |
| | | | | 248/507 |

(Continued)

OTHER PUBLICATIONS

JetDock Drive on docking, 6 pages (excerpt printed Jan. 29, 2020)
<https://www.jetdock.com/products/univ-20ft-wide-body-dock.asp>.

Primary Examiner — Sandra Snapp

Assistant Examiner — Ieisha N Price

(74) *Attorney, Agent, or Firm* — B. Craig Killough

(57)

CLAIM

The ornamental design for a floating pile guide for docks, as shown and described.

DESCRIPTION

FIG. 1 is a top perspective view of a floating pile guide for docks showing the new design;

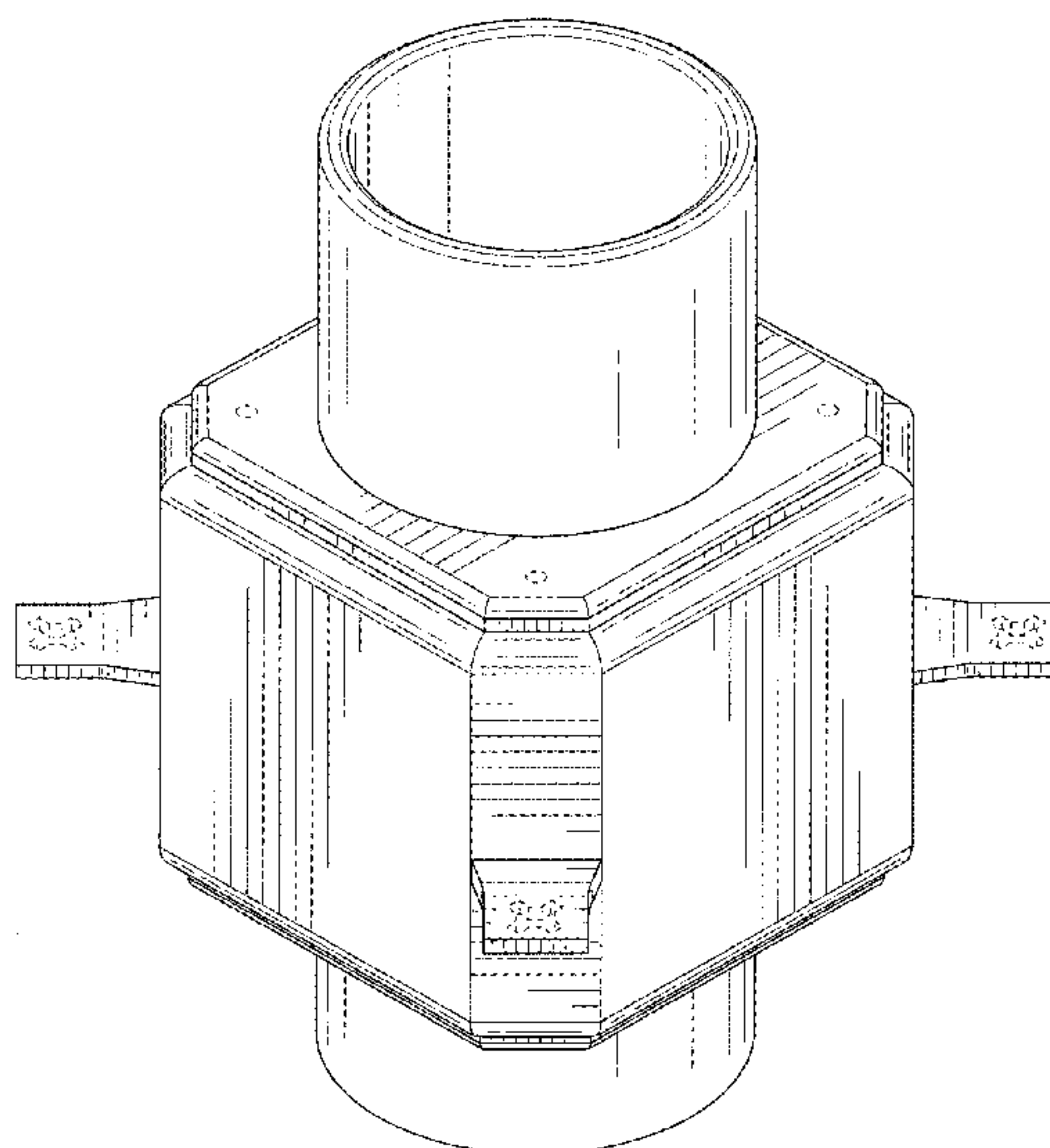
FIG. 2 is a front elevation of the floating pile guide for docks;

FIG. 3 is a rear elevation of the floating pile guide for docks, the right side and left side of the design of the floating pile guide for docks are identical to the design of the rear elevation;

FIG. 4 is a top plan view of the floating pile guide for docks; and,

FIG. 5 is a bottom plan view of the floating pile guide for docks.

1 Claim, 5 Drawing Sheets



(56)

References Cited

U.S. PATENT DOCUMENTS

D728,831 S * 5/2015 Rodriguez D25/133
D754,880 S * 4/2016 Reusing D25/133
D756,202 S * 5/2016 Leduc D8/354
9,343,887 B2 * 5/2016 Butler H02G 3/0493
9,487,925 B1 11/2016 Meriweather et al.
D801,415 S * 10/2017 Howry D16/242
D826,702 S 8/2018 Barnes et al.
D828,746 S 9/2018 Barnes et al.
D828,747 S 9/2018 Barnes et al.
D837,041 S 1/2019 Barnes et al.
10,267,003 B2 4/2019 Barnes et al.
D887,026 S * 6/2020 Foley D25/133
2001/0000548 A1 * 5/2001 Niehaus E04H 12/2292
29/450
2011/0274502 A1 11/2011 Tibedo et al.
2015/0027174 A1 * 1/2015 Banyi E04H 12/2292
70/57

* cited by examiner

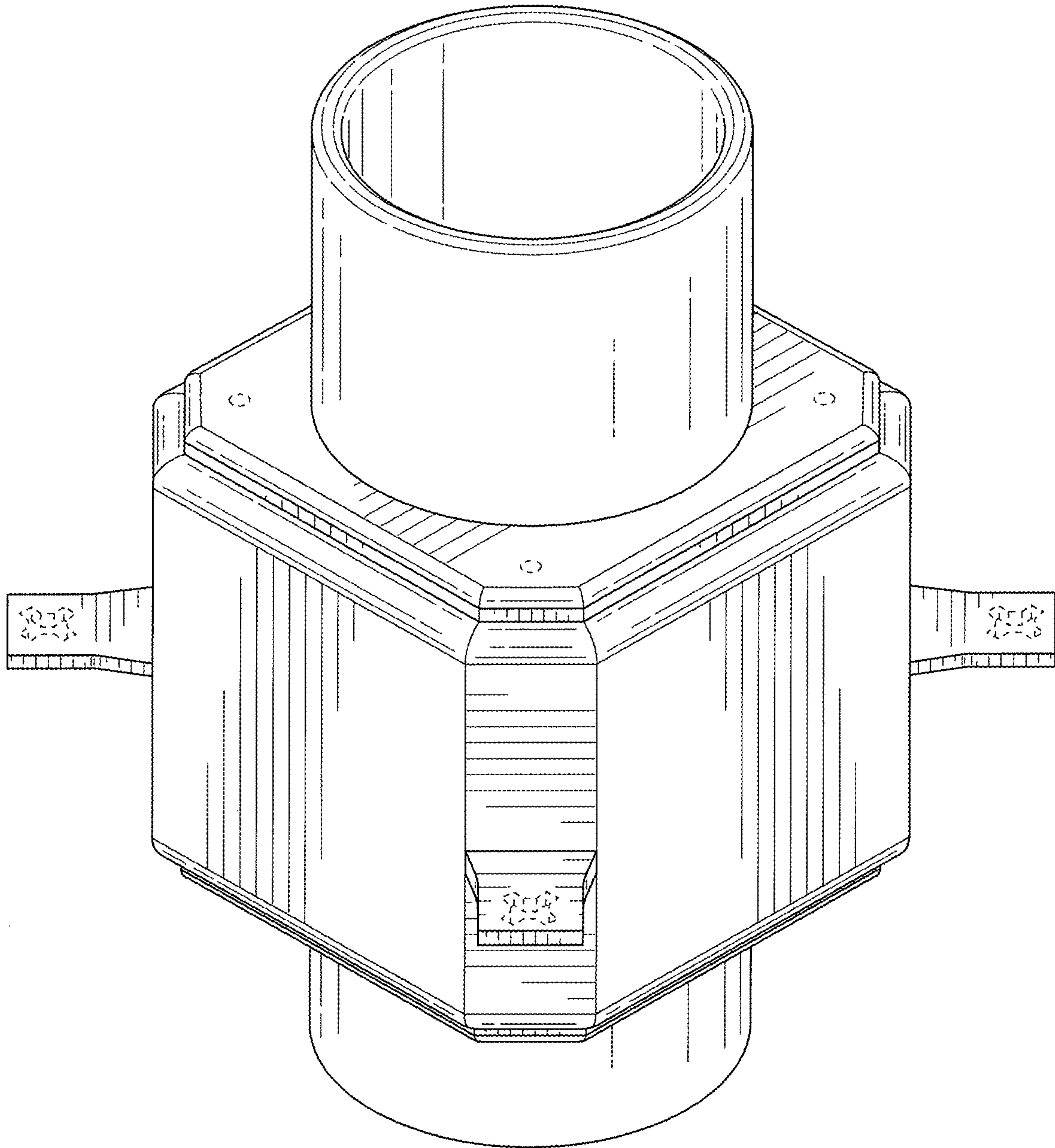


FIG. 1

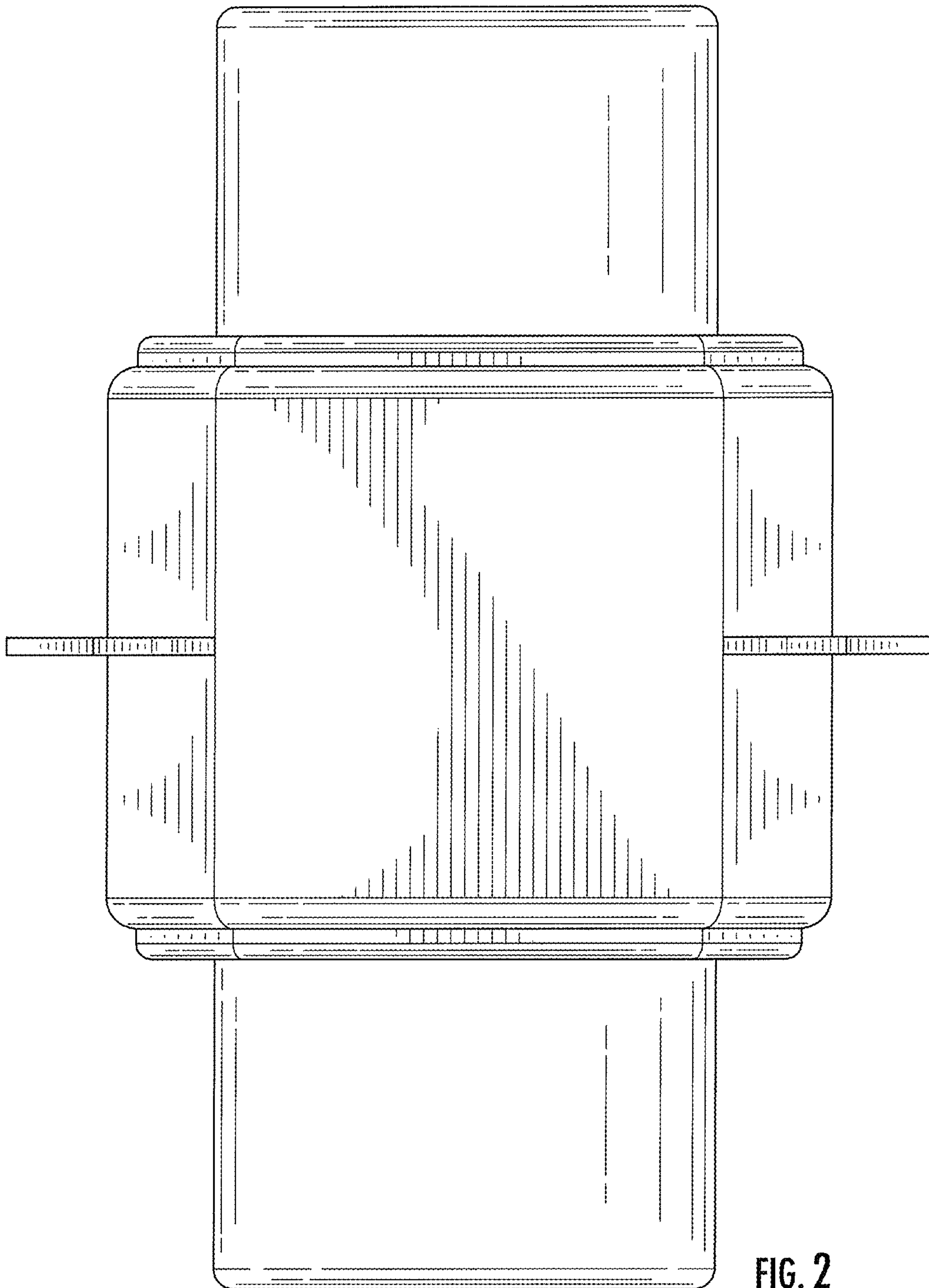


FIG. 2

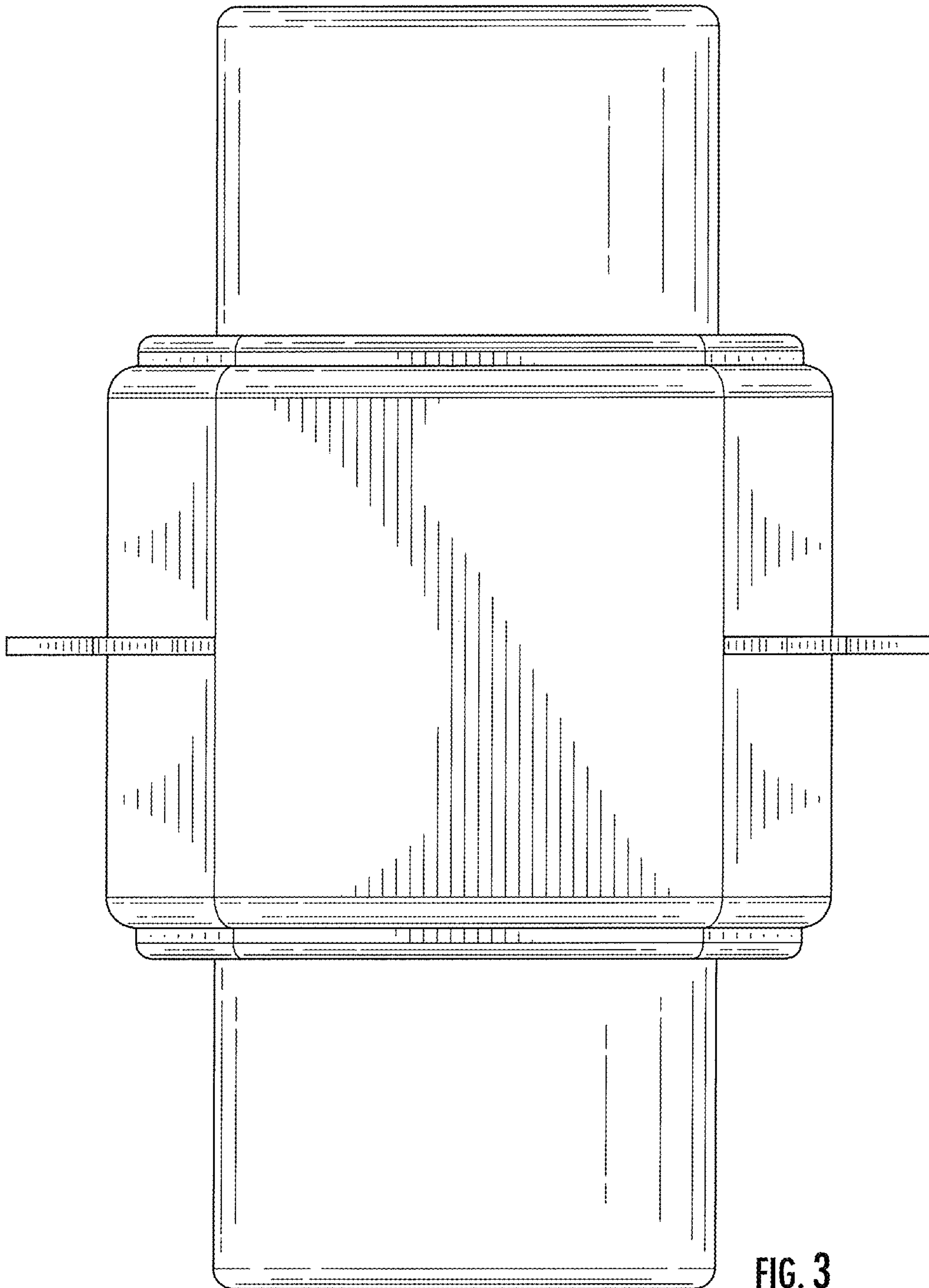


FIG. 3

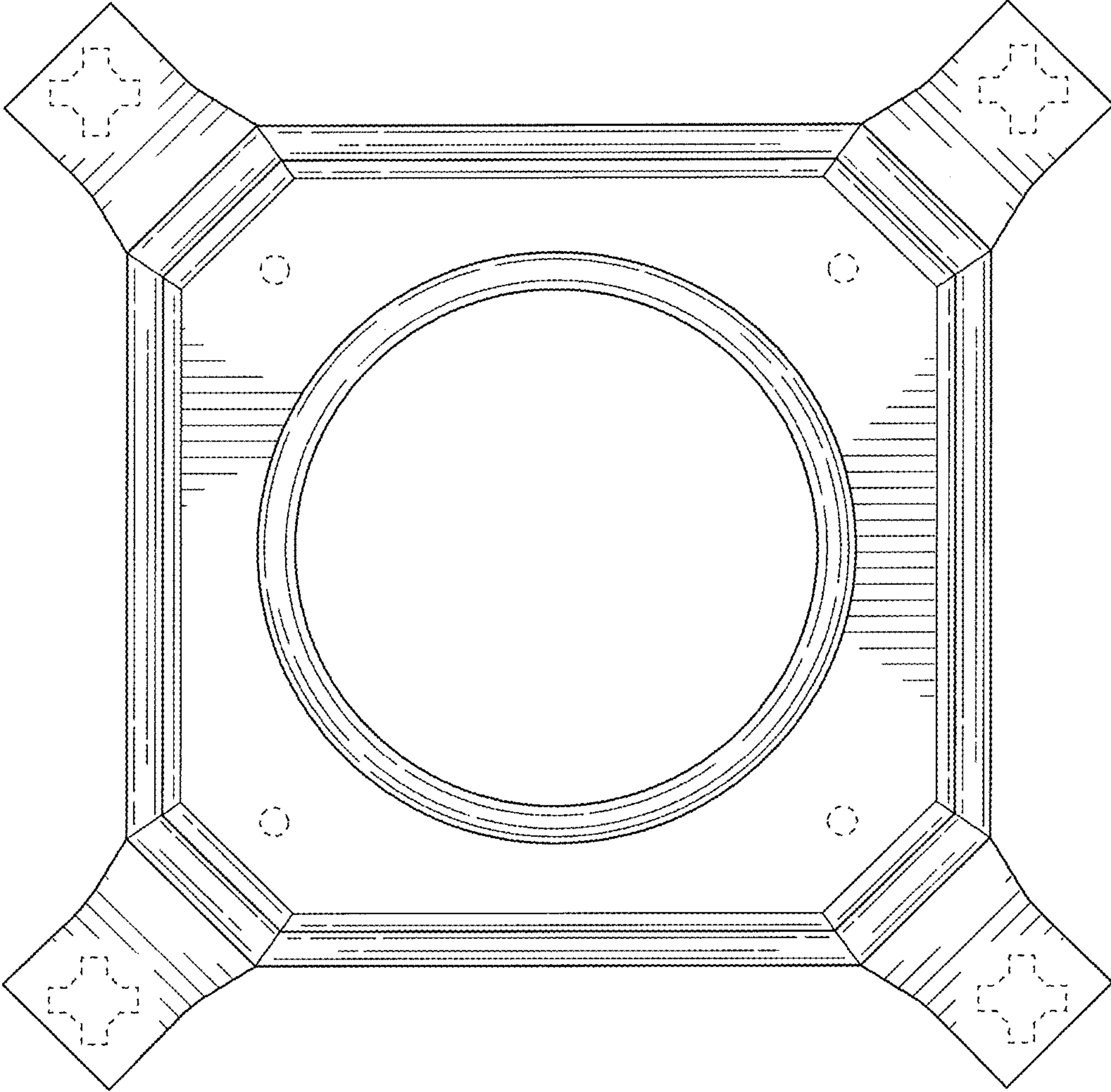


FIG. 4

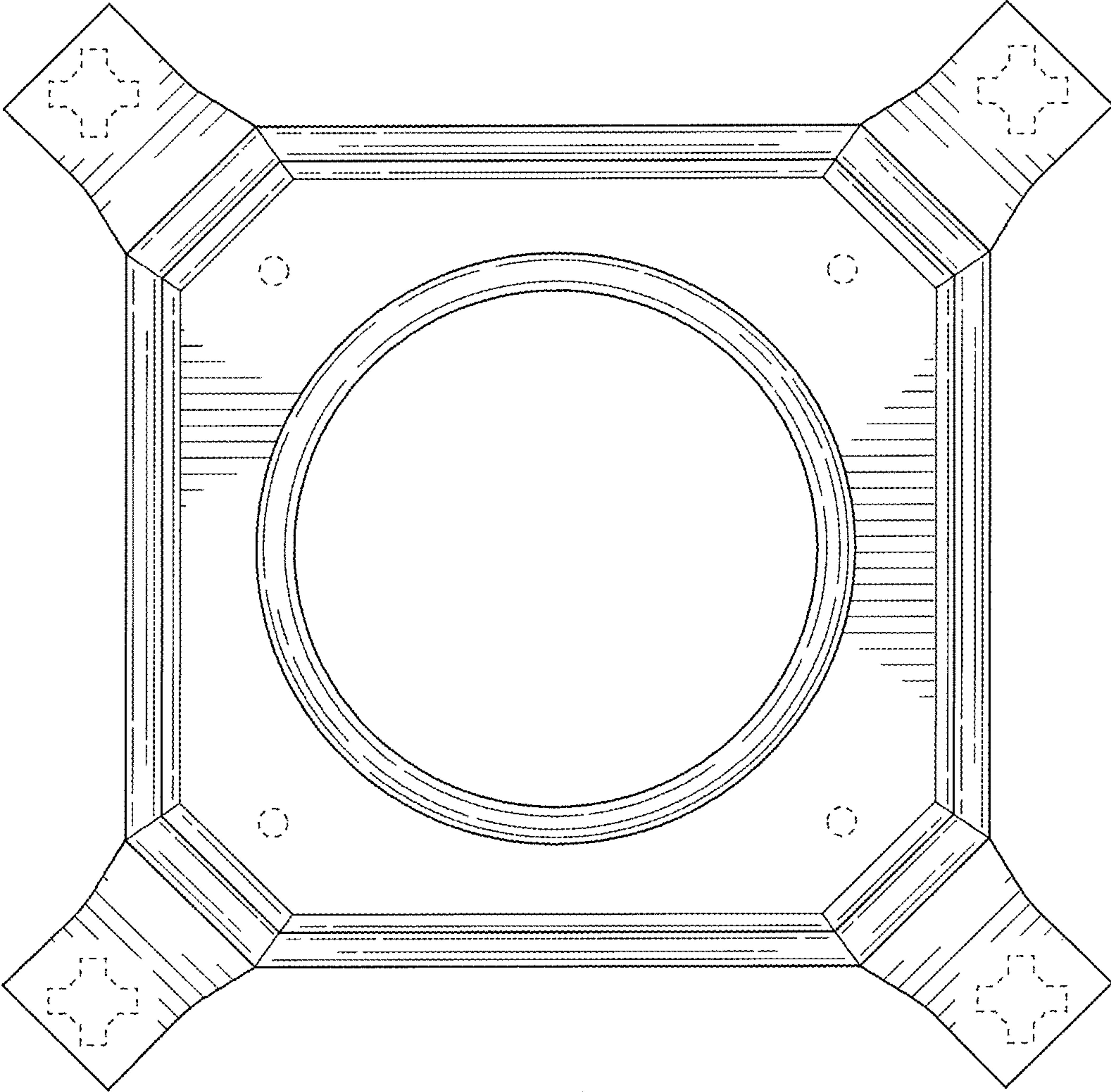


FIG. 5