



US00D899901S

(12) **United States Design Patent** (10) **Patent No.:** **US D899,901 S**  
**Barnes** (45) **Date of Patent:** **\*\* Oct. 27, 2020**

(54) **PILE GUIDE HAVING AN EXTERNAL STABILIZER**

(71) Applicant: **Sean A. Barnes**, Mt. Pleasant, SC (US)

(72) Inventor: **Sean A. Barnes**, Mt. Pleasant, SC (US)

(\*\*) Term: **15 Years**

(21) Appl. No.: **29/699,280**

(22) Filed: **Jul. 24, 2019**

(51) **LOC (12) Cl.** ..... **08-05**

(52) **U.S. Cl.**  
USPC ..... **D8/354; D8/382**

(58) **Field of Classification Search**  
USPC ..... D8/354, 356, 349, 355, 382, 385, 386, D8/388; D25/133  
CPC . E02B 3/064; E02B 3/068; E02B 3/28; E01D 15/14; B63C 1/02; B63B 35/34; B63B 21/00; F16C 11/04

See application file for complete search history.

(56) **References Cited**

U.S. PATENT DOCUMENTS

3,074,239	A	1/1963	Mustard	
3,559,947	A	2/1971	Sette	
D316,219	S *	4/1991	Boehnke	D8/373
5,046,897	A	9/1991	Ray	
D348,826	S *	7/1994	McCaffrey	D8/354
D355,349	S *	2/1995	Taparauskas, Jr.	D8/349
D376,529	S *	12/1996	Davies	D8/349
D408,273	S *	4/1999	Senninger	D8/356
6,015,139	A *	1/2000	Weber	E04F 11/1812 256/65.14
6,092,342	A *	7/2000	Sharapata	E04H 12/2269 248/519
6,145,463	A	11/2000	Zeilinger	
6,179,525	B1	1/2001	Gruhn et al.	
6,394,055	B2 *	5/2002	Powell	F02B 75/22 123/184.21
D474,676	S *	5/2003	Bainbridge	D8/354

D479,117	S *	9/2003	Mercier	D8/354
D506,668	S	6/2005	Black	
7,153,064	B2	12/2006	Zeilinger	
7,195,222	B2 *	3/2007	Dent	E01F 9/635 248/511
7,390,141	B2	6/2008	Rytand	
7,406,924	B1	8/2008	Impey	
D664,492	S *	7/2012	Witting	D12/223
D682,690	S *	5/2013	Bowes	D9/439
D688,283	S *	8/2013	Choi	D15/152
D729,908	S *	5/2015	Lohmann	D23/261
D739,959	S *	9/2015	Baker	D25/102

(Continued)

*Primary Examiner* — Sandra Snapp

*Assistant Examiner* — Ieisha N Price

(74) *Attorney, Agent, or Firm* — B. Craig Killough

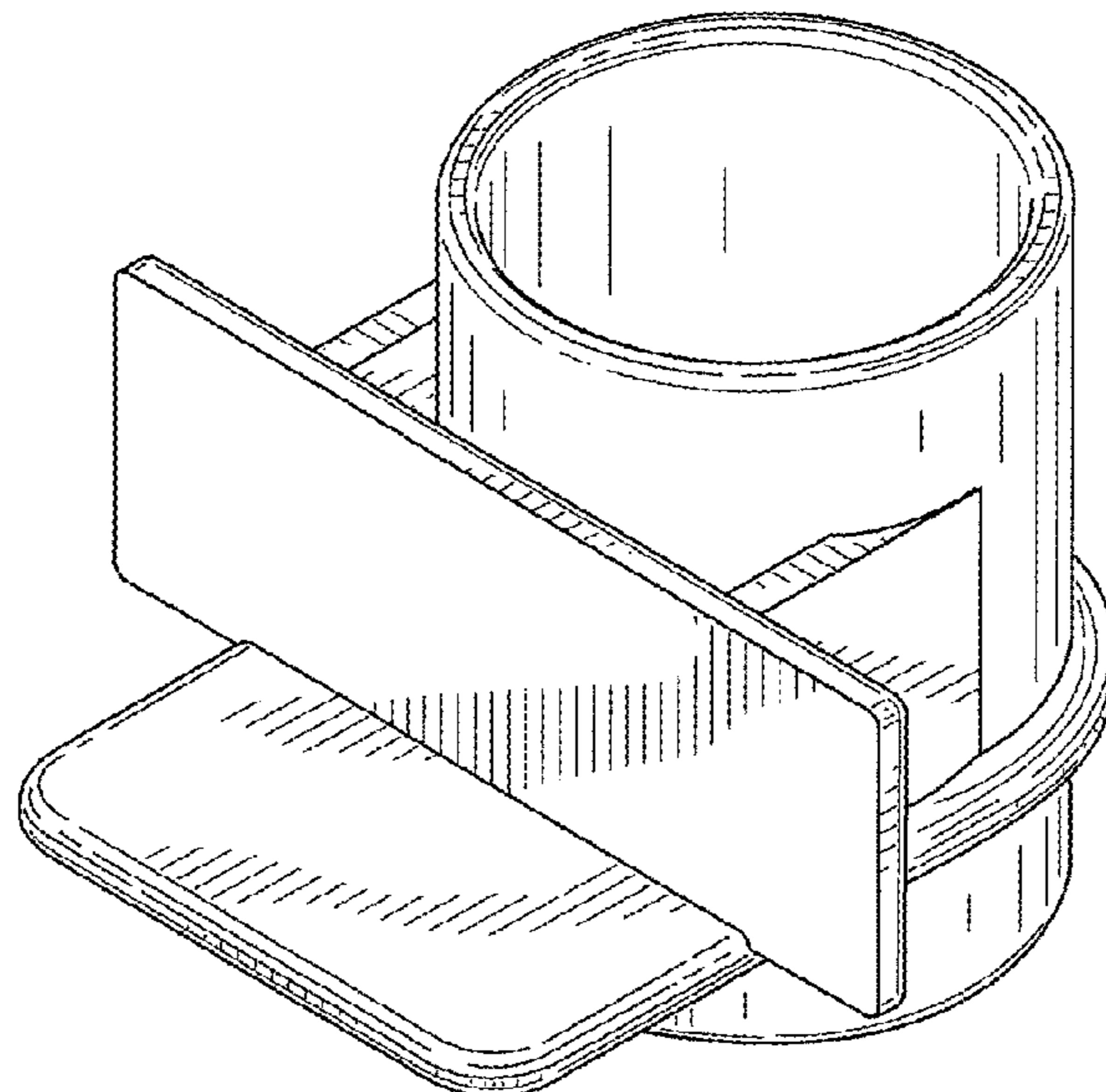
(57) **CLAIM**

The ornamental design for a pile guide having an external stabilizer, as shown.

**DESCRIPTION**

FIG. 1 is a top perspective view of a pile guide having an external stabilizer showing the new design;  
 FIG. 2 is a bottom perspective view of the pile guide having an external stabilizer;  
 FIG. 3 is a rear elevation the pile guide having an external stabilizer;  
 FIG. 4 is a front elevation of the pile guide having an external stabilizer;  
 FIG. 5 is a side elevation of the pile guide having an external stabilizer;  
 FIG. 6 is a side elevation of the pile guide having an external stabilizer taken opposite the side of the pile guide having an external stabilizer shown in FIG. 5;  
 FIG. 7 is a bottom plan view of a pile guide having an external stabilizer; and,  
 FIG. 8 is a top plan view of the pile guide having an external stabilizer.

**1 Claim, 4 Drawing Sheets**



(56)

**References Cited**

U.S. PATENT DOCUMENTS

D758,554	S	6/2016	Lohmann	
D761,085	S *	7/2016	Cox .....	D8/354
9,487,925	B1	11/2016	Meriwether et al.	
D781,690	S *	3/2017	Darby .....	D8/381
D794,420	S *	8/2017	Emmons .....	D8/349
D826,702	S	8/2018	Barnes et al.	
D828,746	S	9/2018	Barnes et al.	
D828,747	S	9/2018	Barnes et al.	
D837,041	S	1/2019	Barnes et al.	
10,267,003	B2	4/2019	Barnes et al.	
D858,255	S *	9/2019	Fox .....	D8/354
2005/0002741	A1	1/2005	Brensinger et al.	
2005/0271477	A1	12/2005	Sehl	
2007/0248420	A1	10/2007	Jacobs et al.	
2008/0014028	A1	1/2008	Faires et al.	
2011/0274502	A1	11/2011	Tibedo et al.	
2018/0266066	A1 *	9/2018	Barnes .....	E02B 3/064

\* cited by examiner

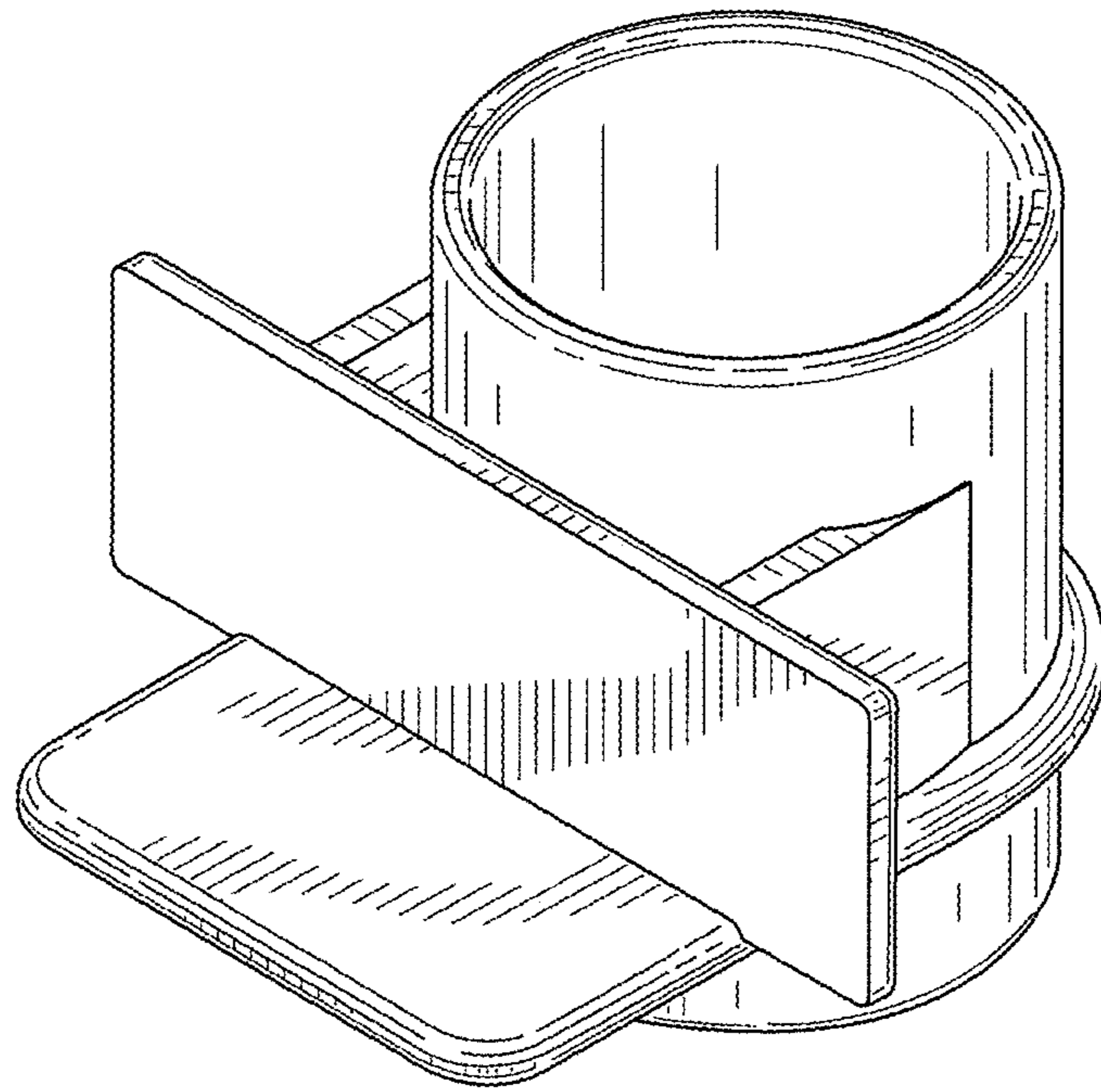


FIG. 1

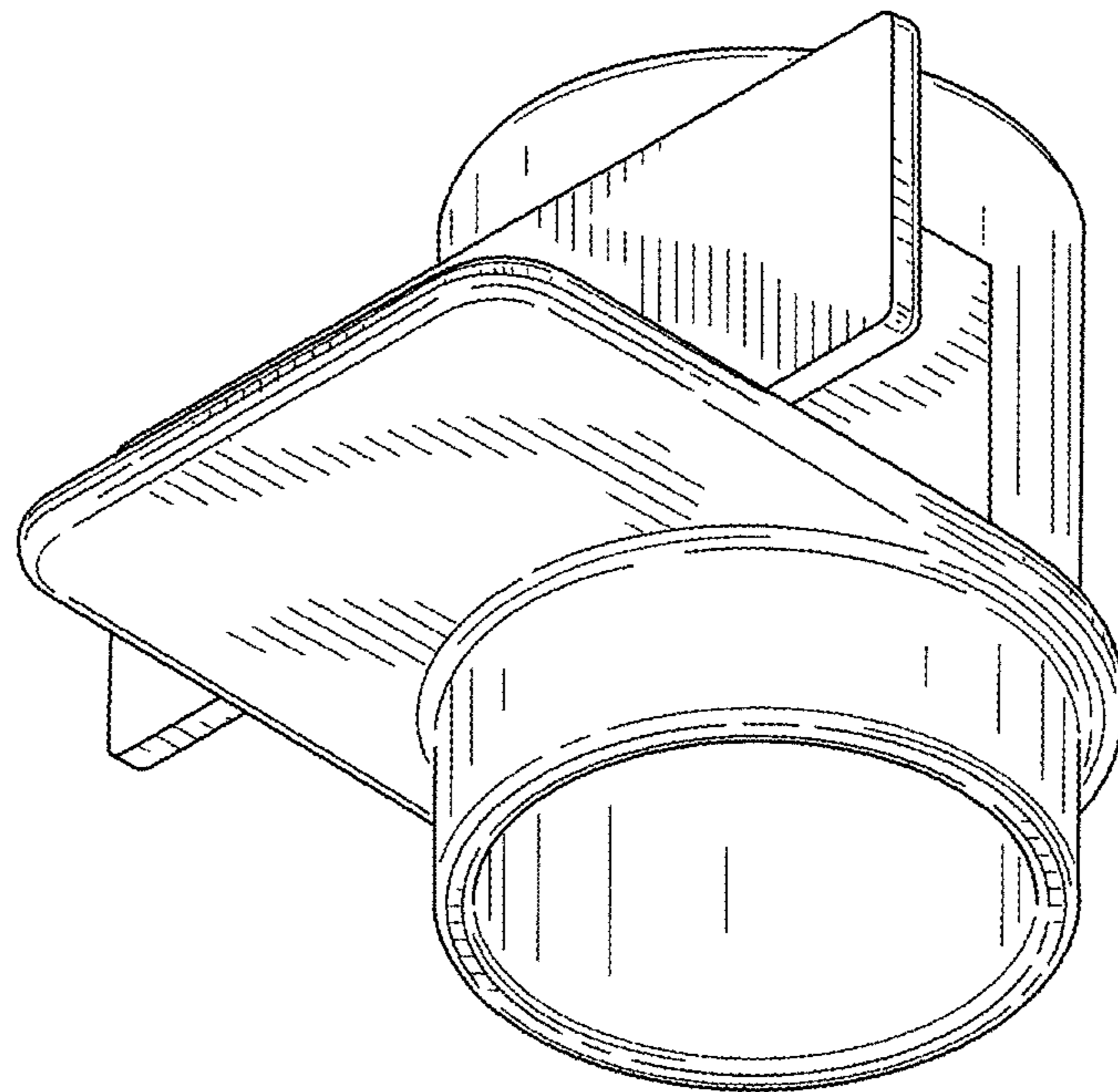


FIG. 2

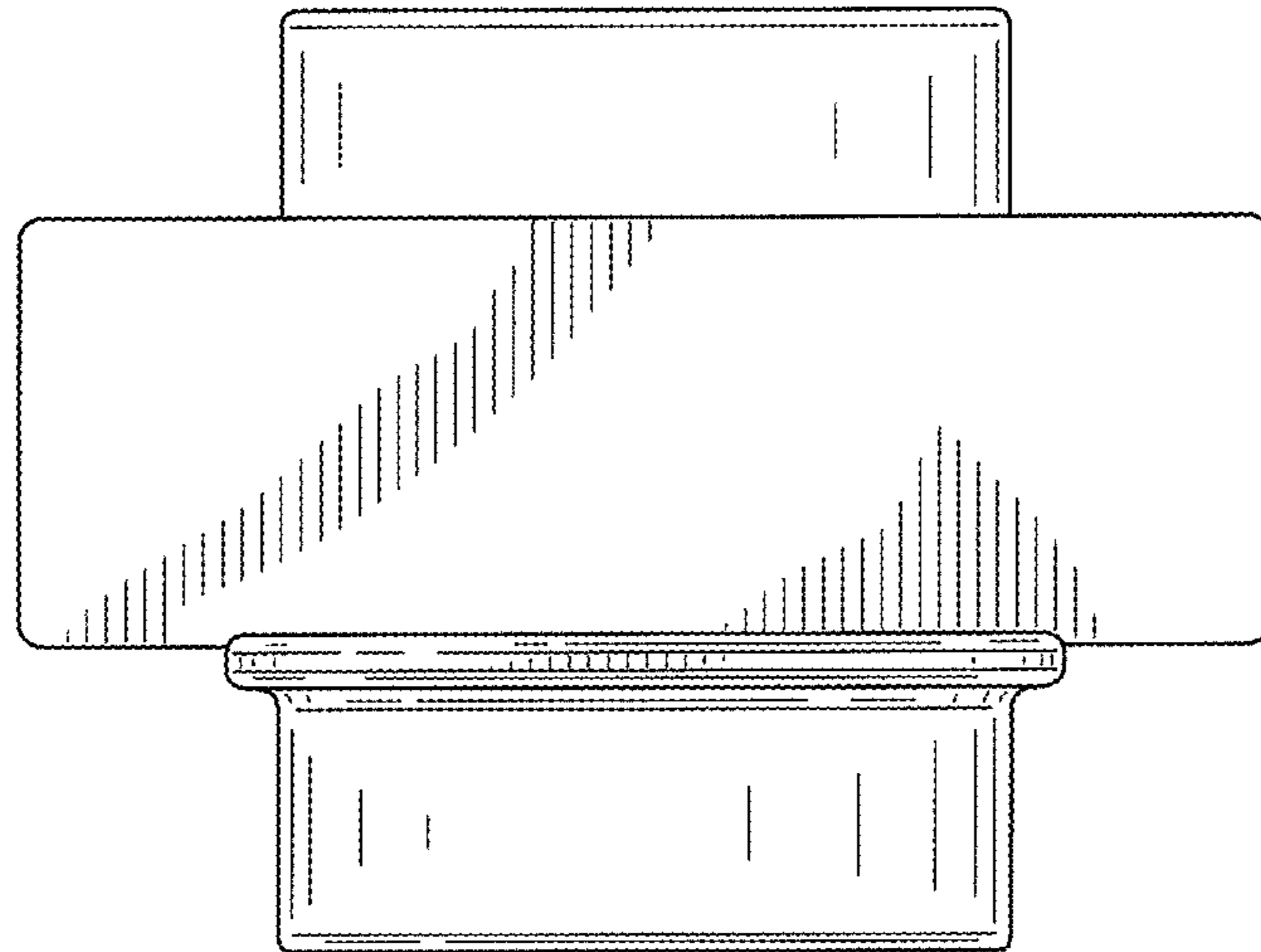


FIG. 3

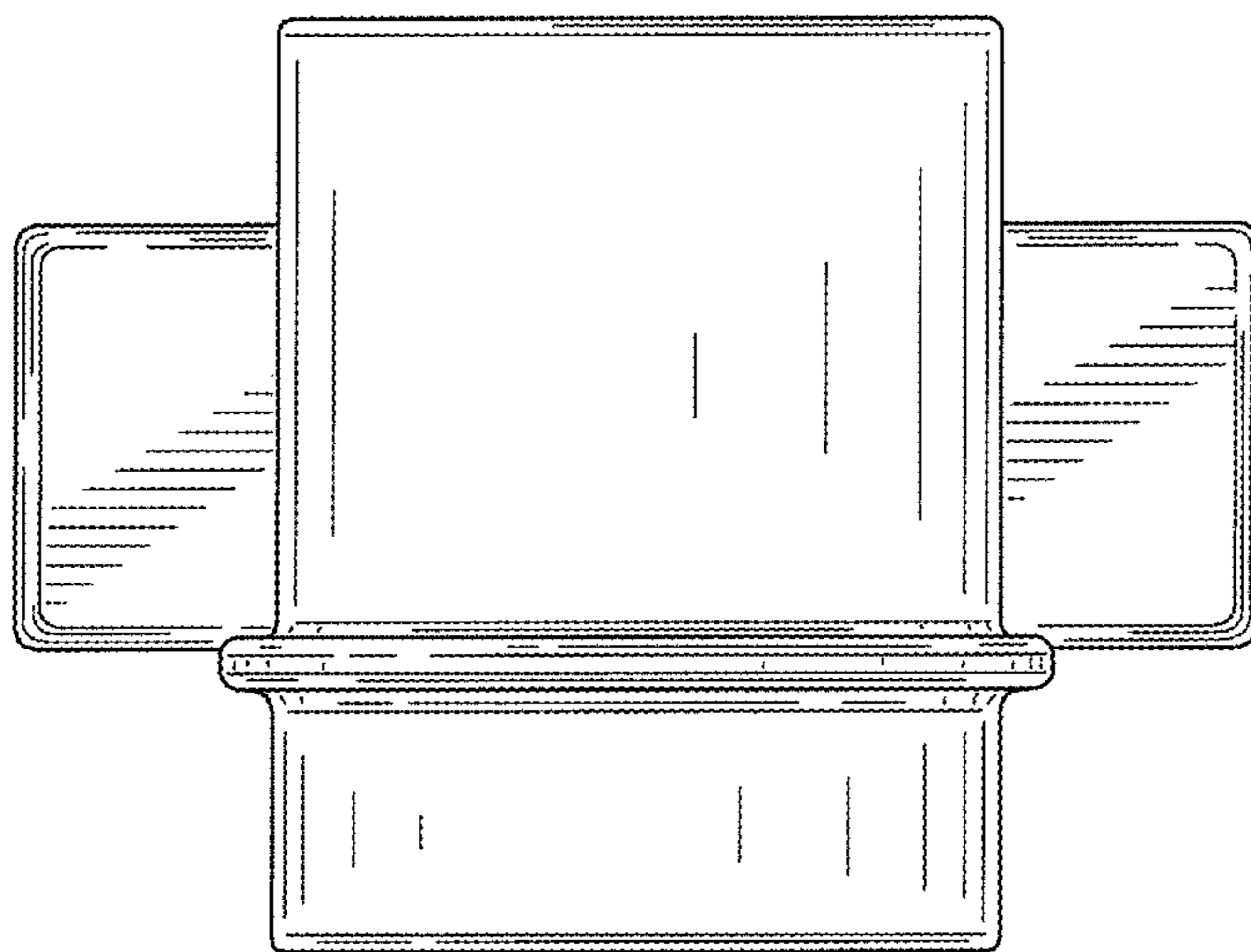


FIG. 4



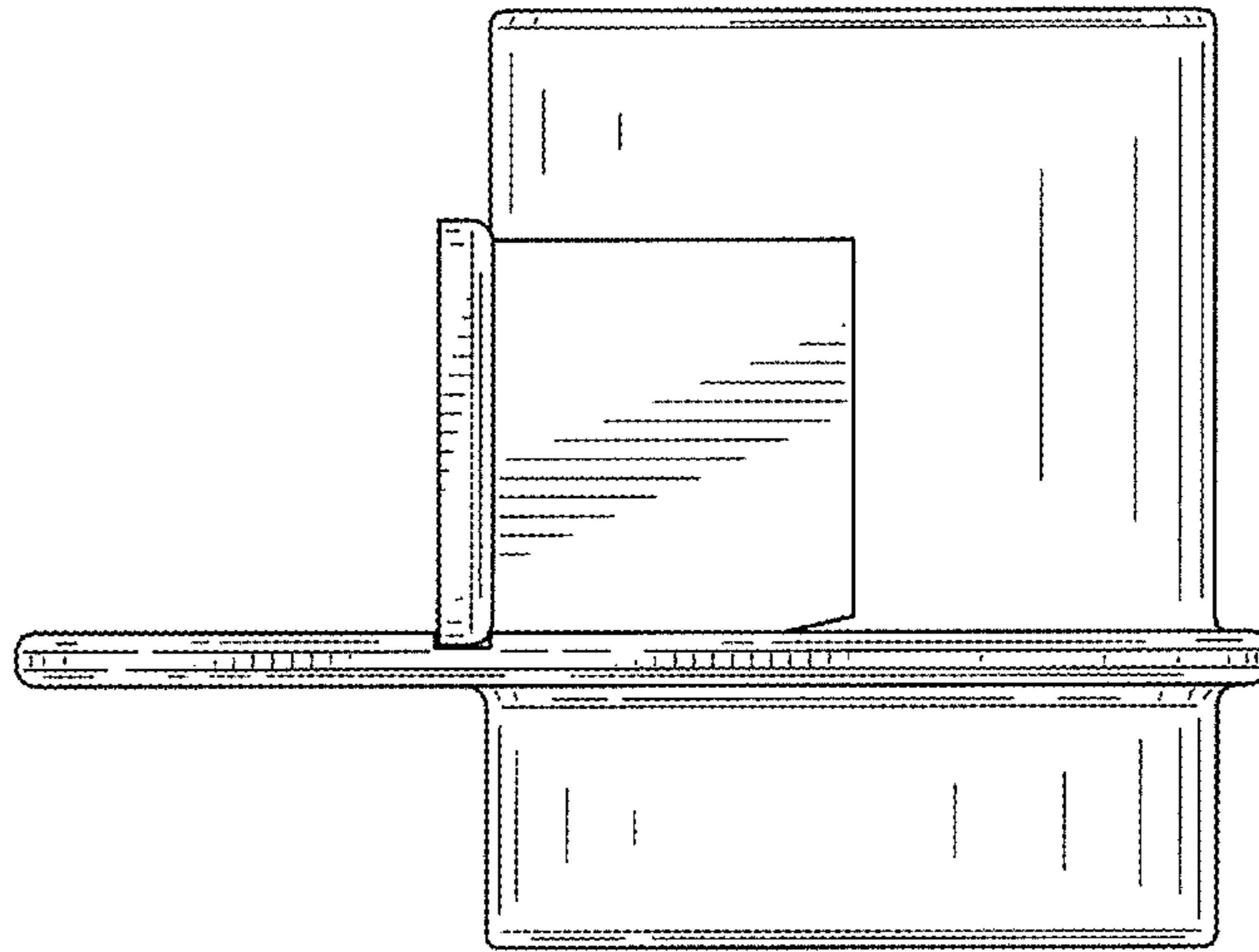


FIG. 5

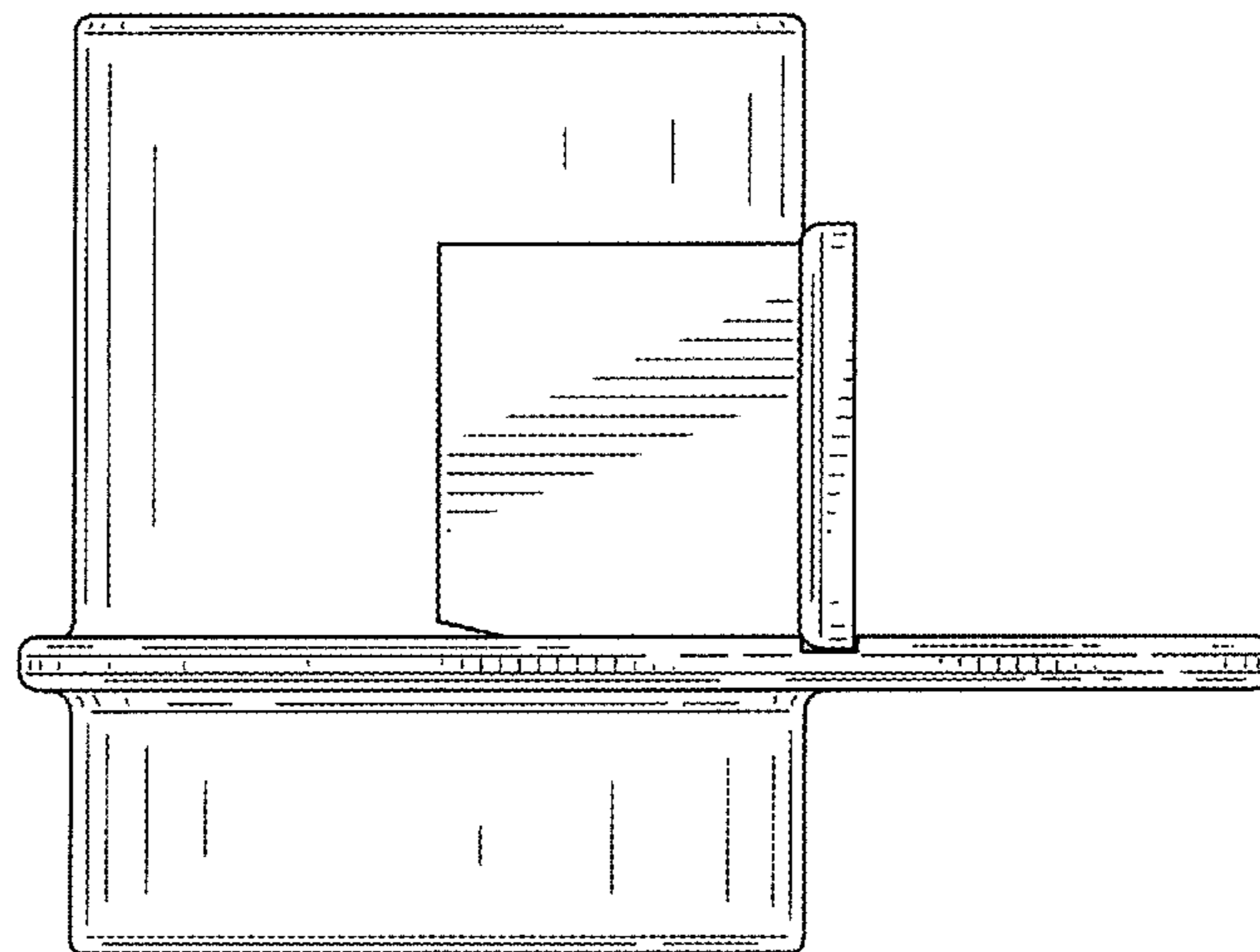


FIG. 6

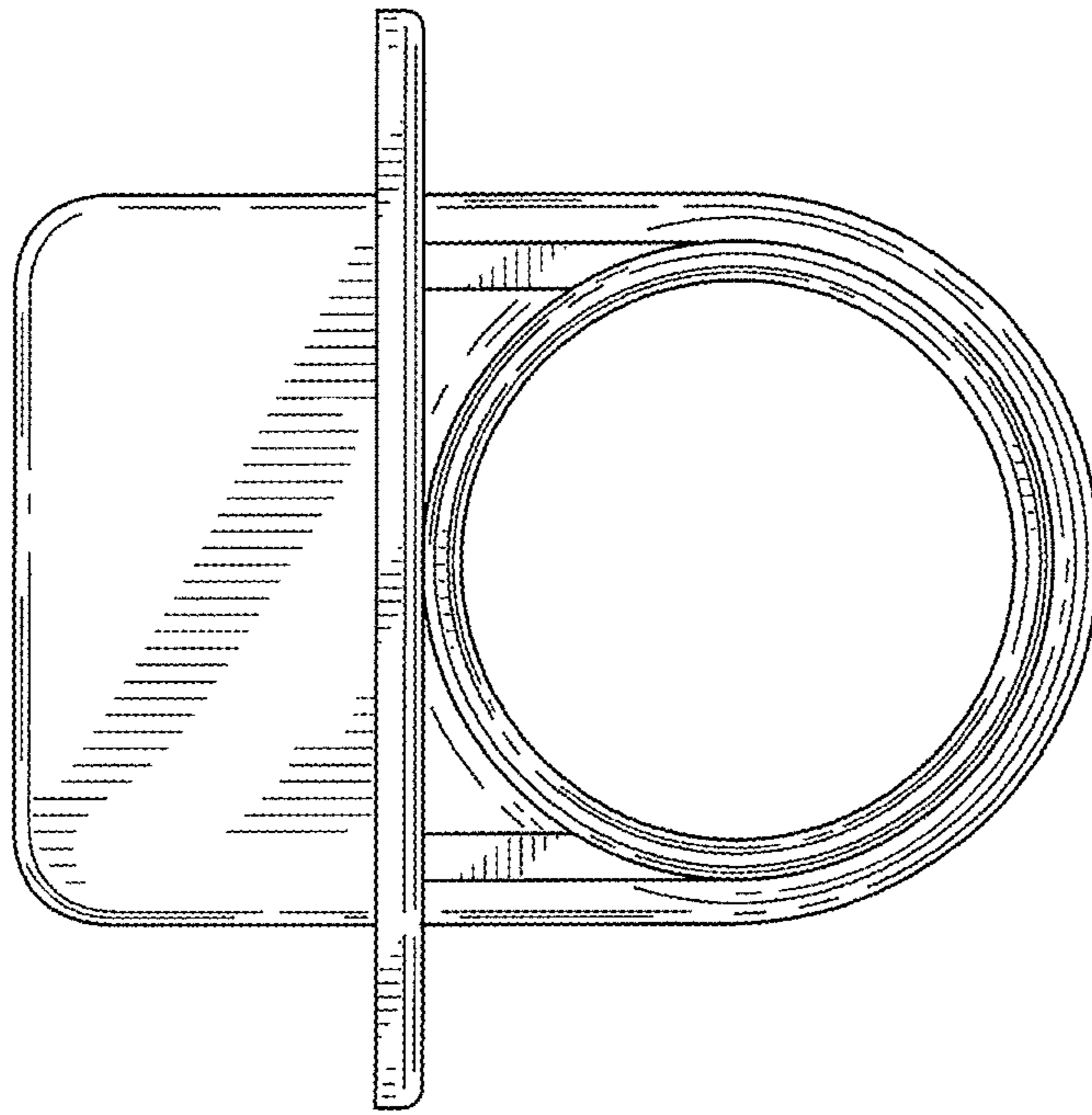


FIG. 7

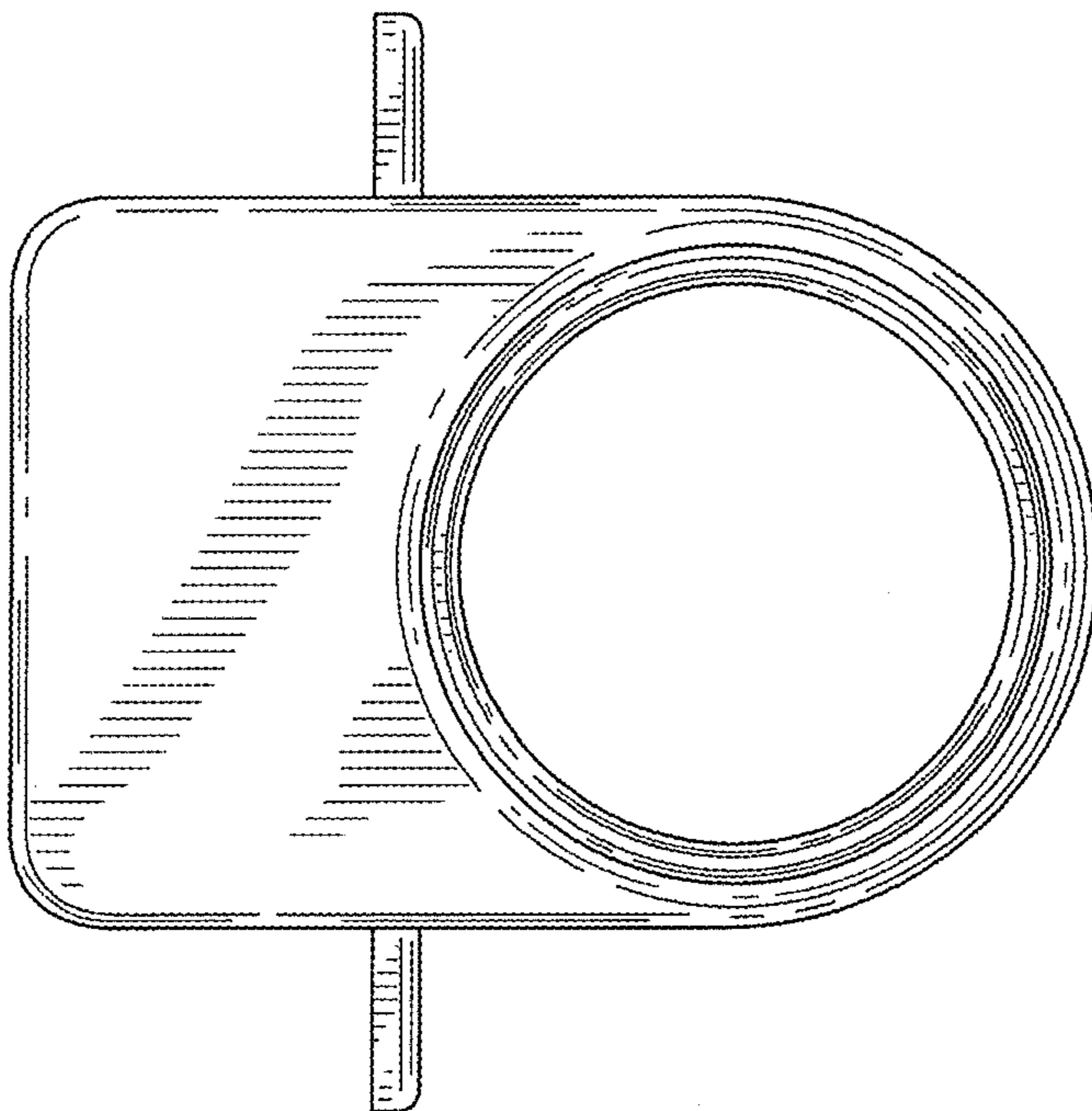


FIG. 8