



US00D899900S

(12) **United States Design Patent** (10) **Patent No.:** **US D899,900 S**
Blanco (45) **Date of Patent:** **** Oct. 27, 2020**

(54) **SELF-LEVELING TILE SPACER**
 (71) Applicant: **Juan Blanco**, Palm Bay, FL (US)
 (72) Inventor: **Juan Blanco**, Palm Bay, FL (US)
 (**) Term: **15 Years**
 (21) Appl. No.: **29/692,857**
 (22) Filed: **May 29, 2019**
 (51) **LOC (12) Cl.** **08-05**
 (52) **U.S. Cl.**
 USPC **D8/354**; D8/47
 (58) **Field of Classification Search**
 USPC D8/47, 389, 354, 349, 374, 499, 402
 CPC ... E04F 21/22; E04F 21/1877; E04F 21/1844;
 E04F 21/0092; E04F 21/20; E04F
 15/02005; E04F 13/0892; E04F 15/02;
 E04F 2015/02094; Y10T 403/553; Y10T
 403/75
 See application file for complete search history.

(56) **References Cited**

U.S. PATENT DOCUMENTS

8,887,475 B2 * 11/2014 Ghelfi E04F 21/0092
 52/749.11
 D760,566 S * 7/2016 Biec D8/47
 9,534,403 B2 * 1/2017 Biec E04F 21/0092
 D821,838 S * 7/2018 Castellanos D8/47
 D828,735 S * 9/2018 Bunch D8/47
 D829,532 S * 10/2018 Bunch D8/354
 D832,680 S * 11/2018 Bunch D8/354
 D833,260 S * 11/2018 Dumlao D8/354
 D856,128 S * 8/2019 Kazutaka D8/402
 D860,775 S * 9/2019 Kazutaka D8/402
 10,501,947 B2 * 12/2019 Bunch E04F 21/1877
 D885,862 S * 6/2020 Bacia D8/47
 2013/0055675 A1 * 3/2013 Sighinolfi E04F 15/02022
 52/749.11
 2014/0116001 A1 * 5/2014 Ghelfi E04F 21/0092
 52/749.11

2015/0308130 A1* 10/2015 Biec E04F 21/0092
 52/749.11
 2016/0186449 A1* 6/2016 Lee E04F 21/1877
 33/527
 2016/0222679 A1* 8/2016 Bunch E04F 21/1844
 * cited by examiner

Primary Examiner — Keli L Hill
Assistant Examiner — Harold E Blackwell, II
 (74) *Attorney, Agent, or Firm* — The Rapacke Law
 Group, P.A.

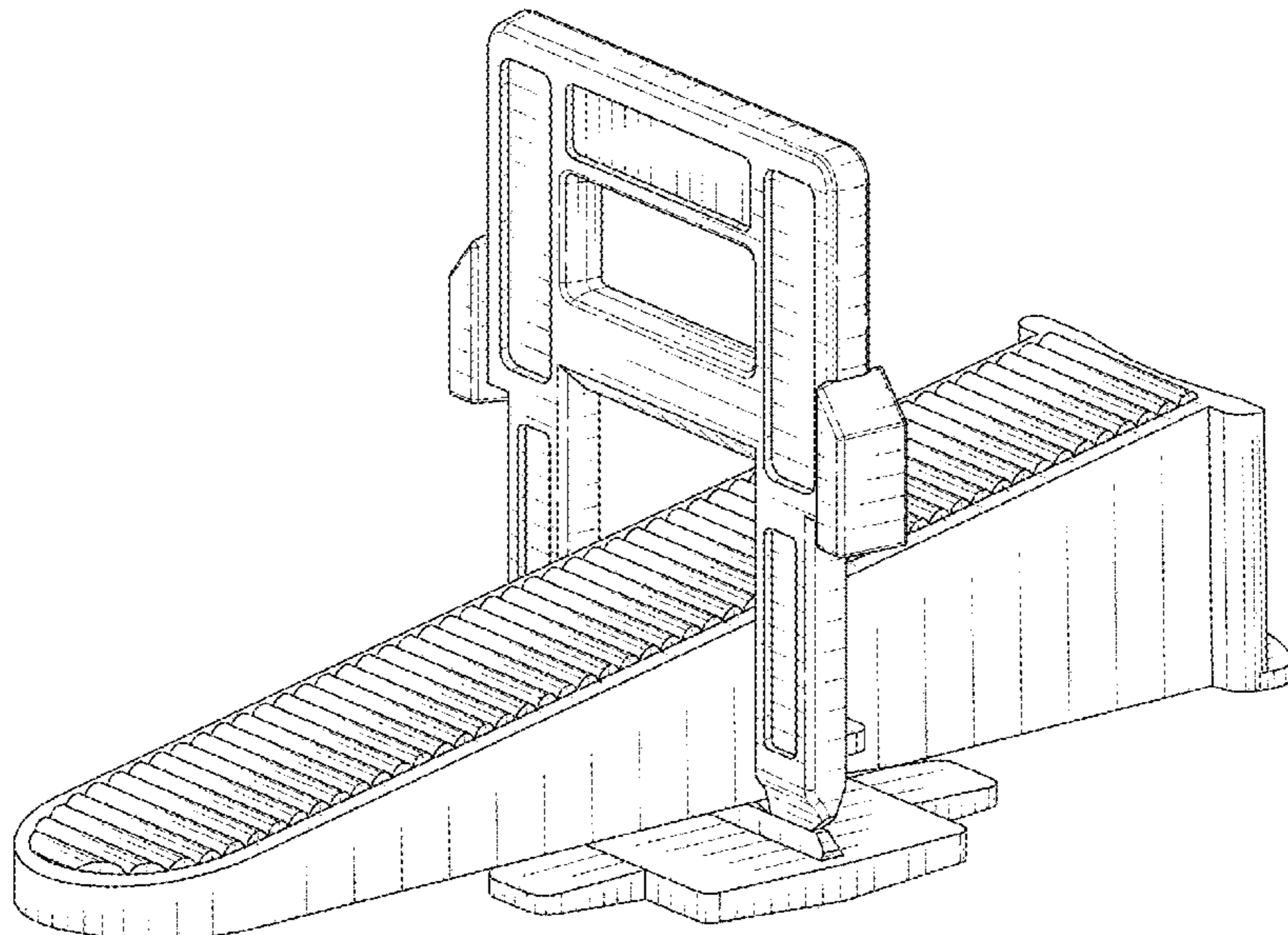
(57) **CLAIM**

The ornamental design for a self-leveling tile spacer, as shown and described.

DESCRIPTION

FIG. 1 is a top front right perspective view of the self-leveling tile spacer showing the new design;
 FIG. 2 is a front elevational view of the self-leveling tile spacer thereof;
 FIG. 3 is a rear elevational view of the self-leveling tile spacer thereof;
 FIG. 4 is a left side elevational view of the self-leveling tile spacer thereof;
 FIG. 5 is a right side elevational view of the self-leveling tile spacer thereof;
 FIG. 6 is a top plan view of the self-leveling tile spacer thereof;
 FIG. 7 is a bottom plan view of the self-leveling tile spacer thereof; and,
 FIG. 8 is an exploded top right perspective view of the self-leveling tile spacer thereof;
 FIG. 9 is an alternate position of the top right perspective view of the self-leveling tile spacer thereof; and,
 FIG. 10 is an alternate position of the top right perspective view of the self-leveling tile spacer thereof.

1 Claim, 10 Drawing Sheets



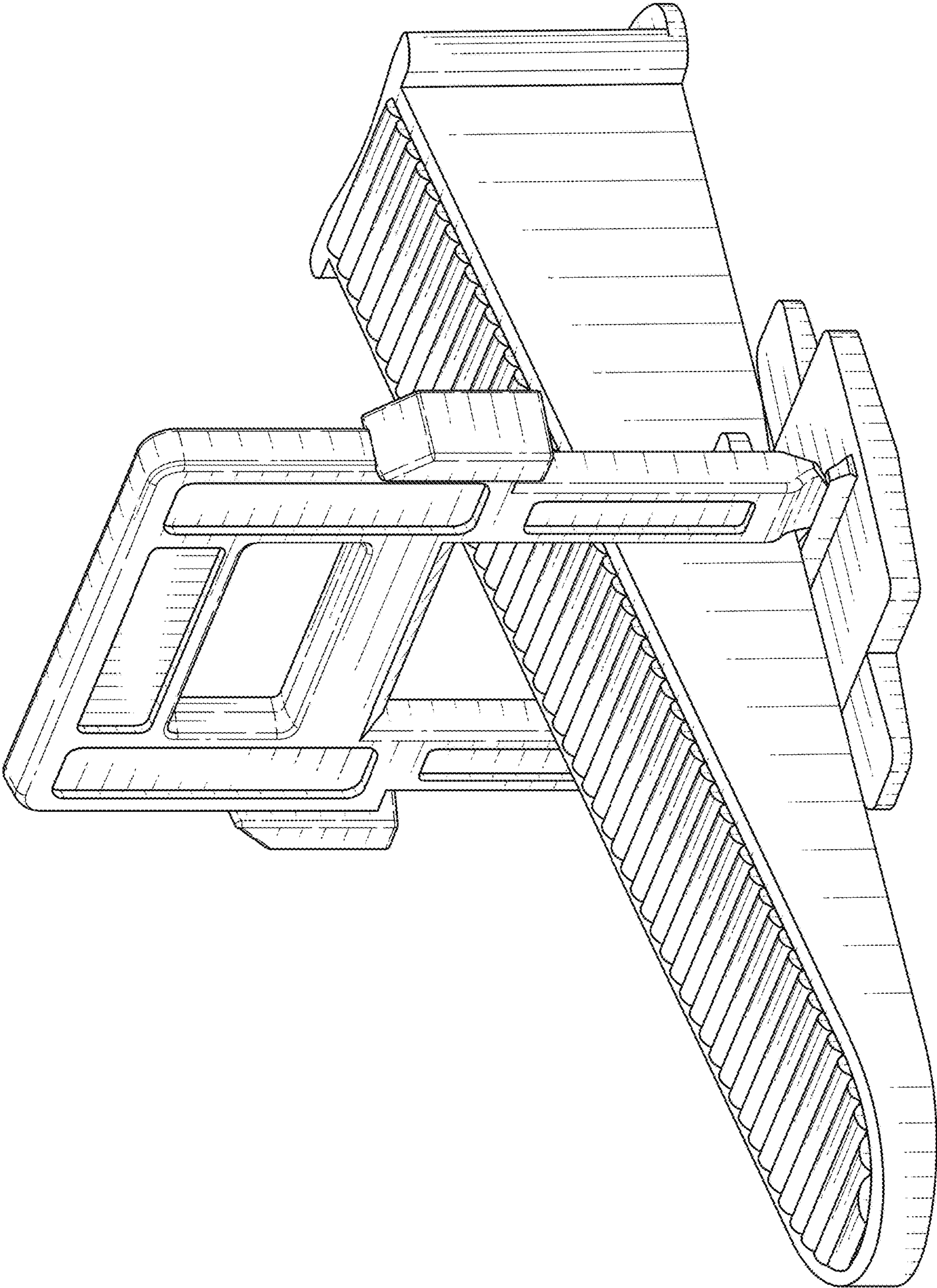


FIG. 1

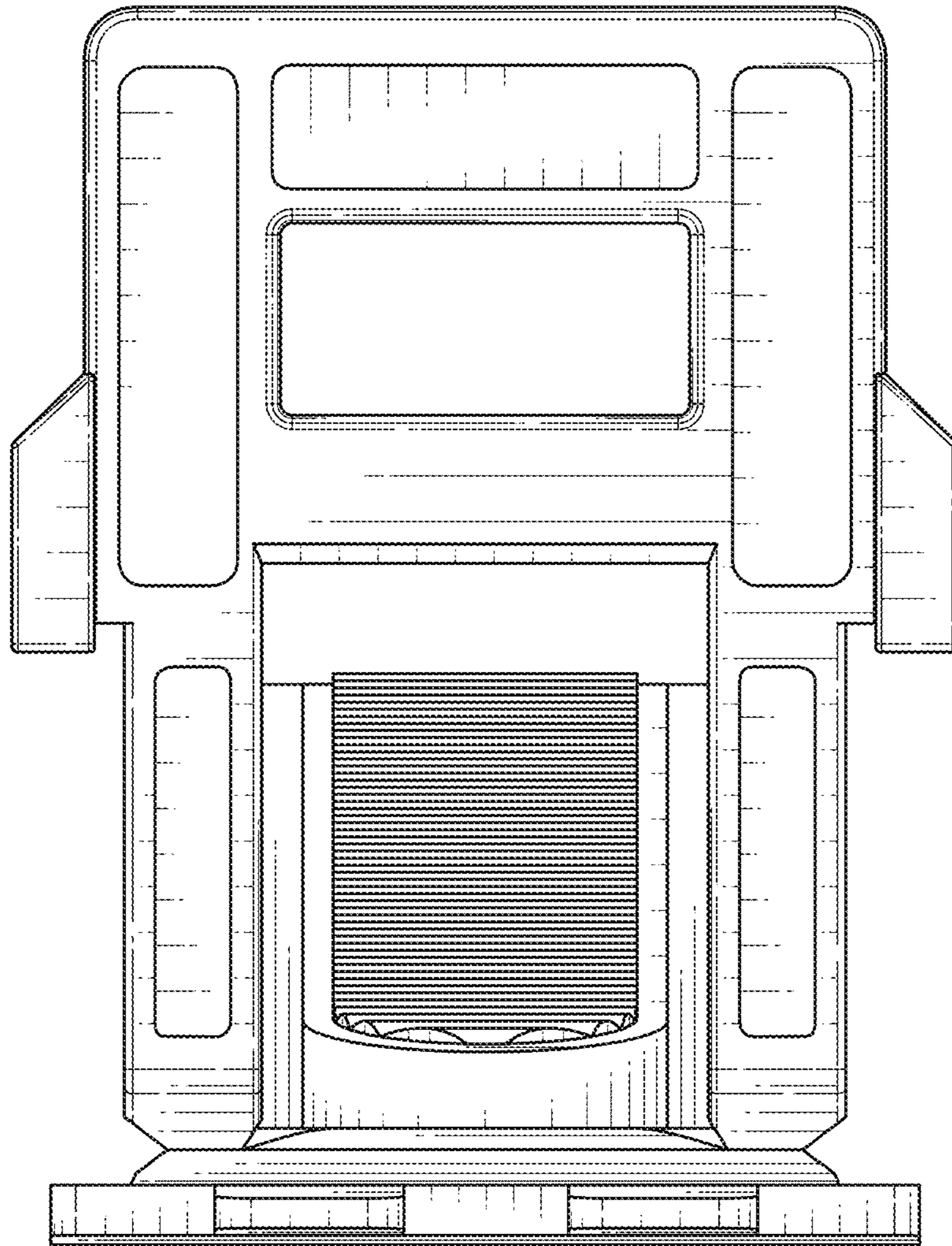


FIG. 2

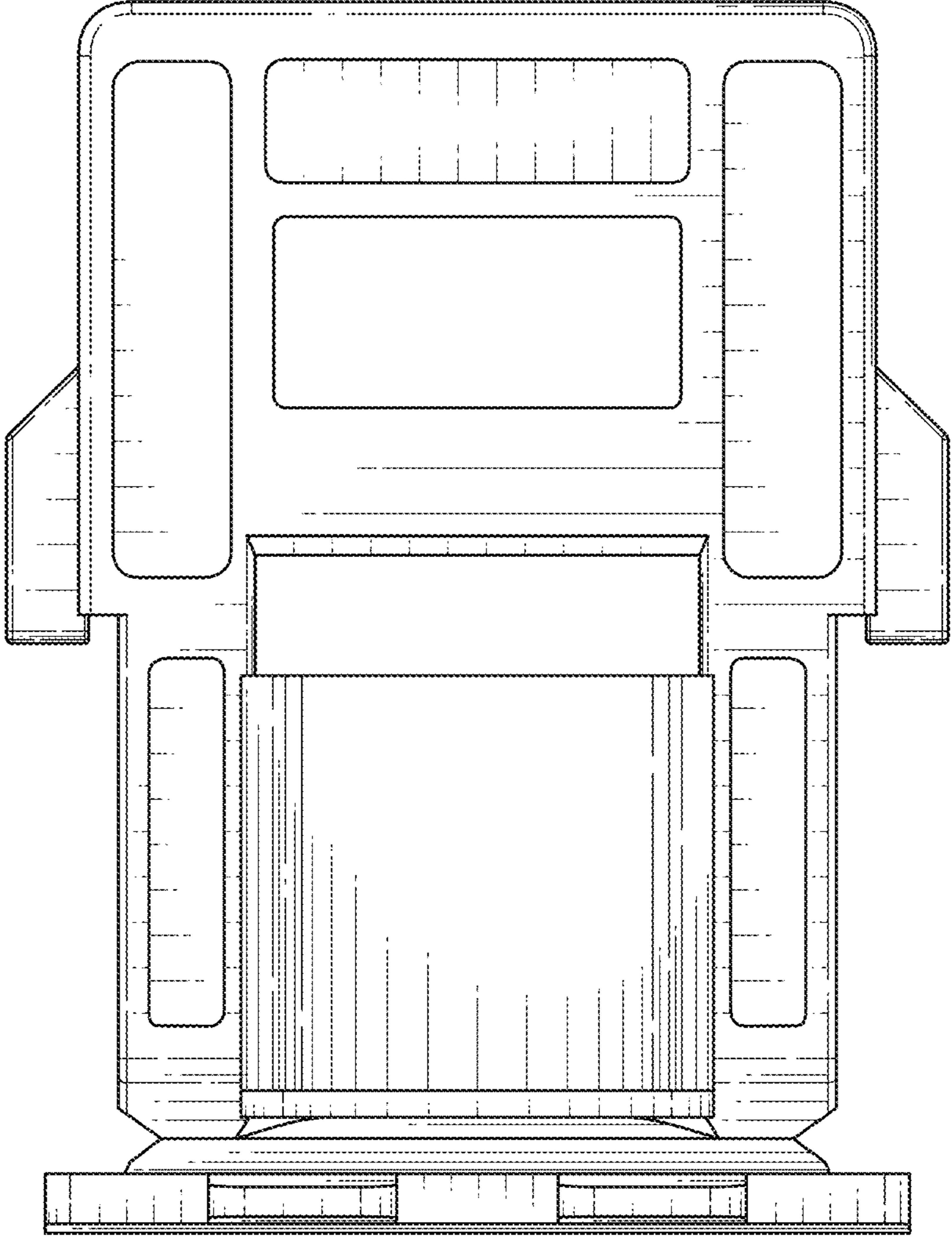


FIG. 3

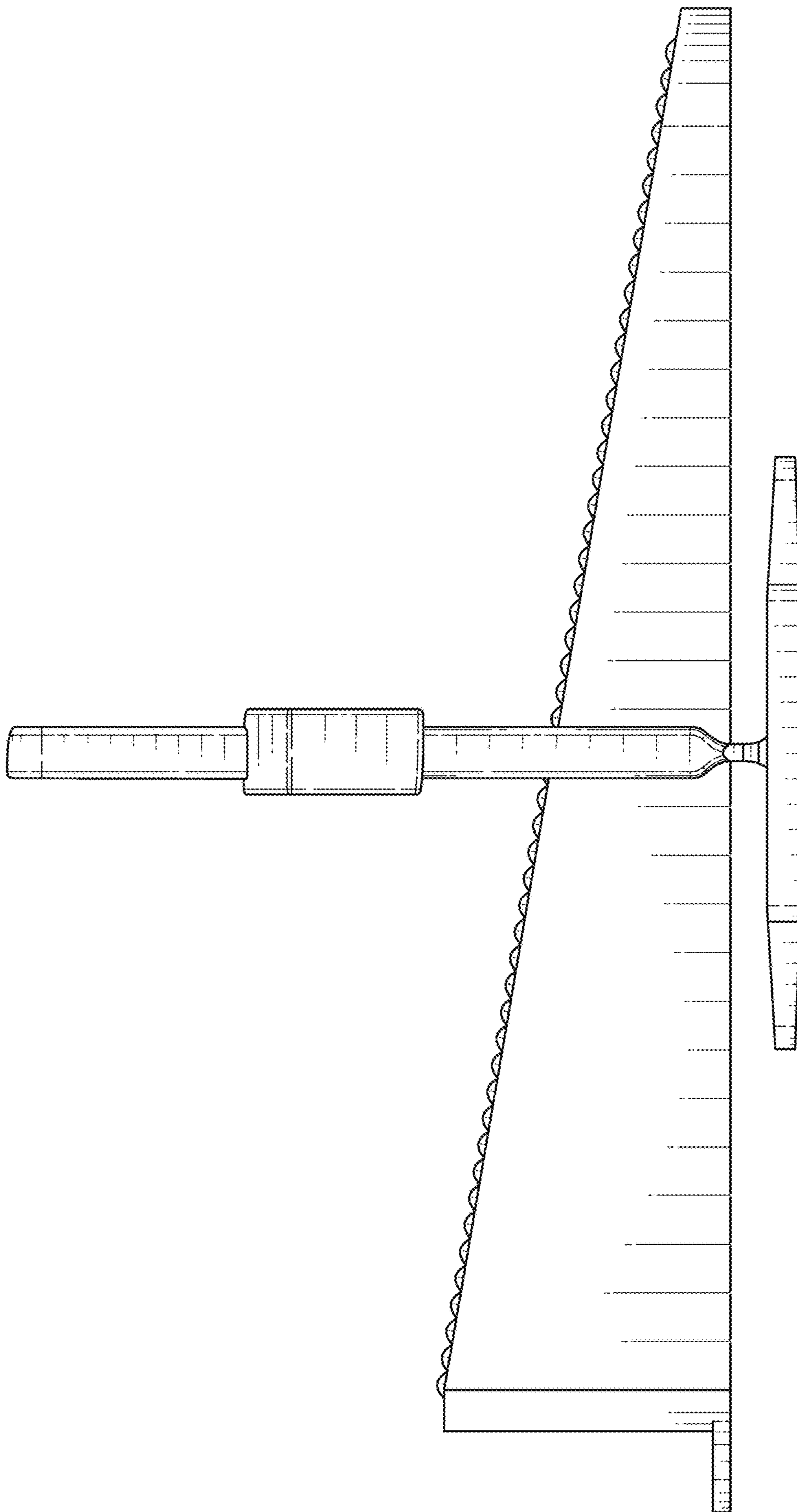


FIG. 4

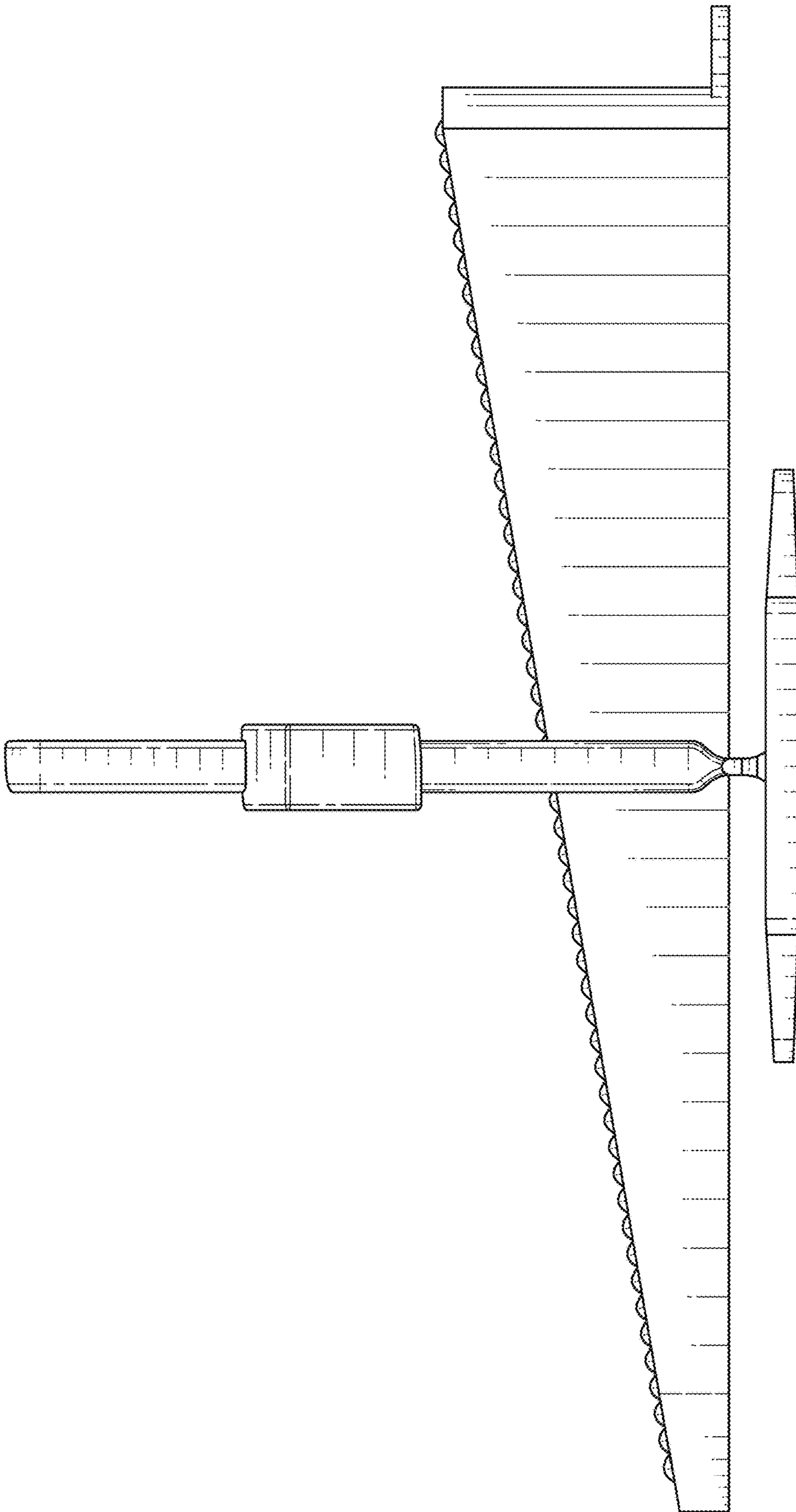


FIG. 5

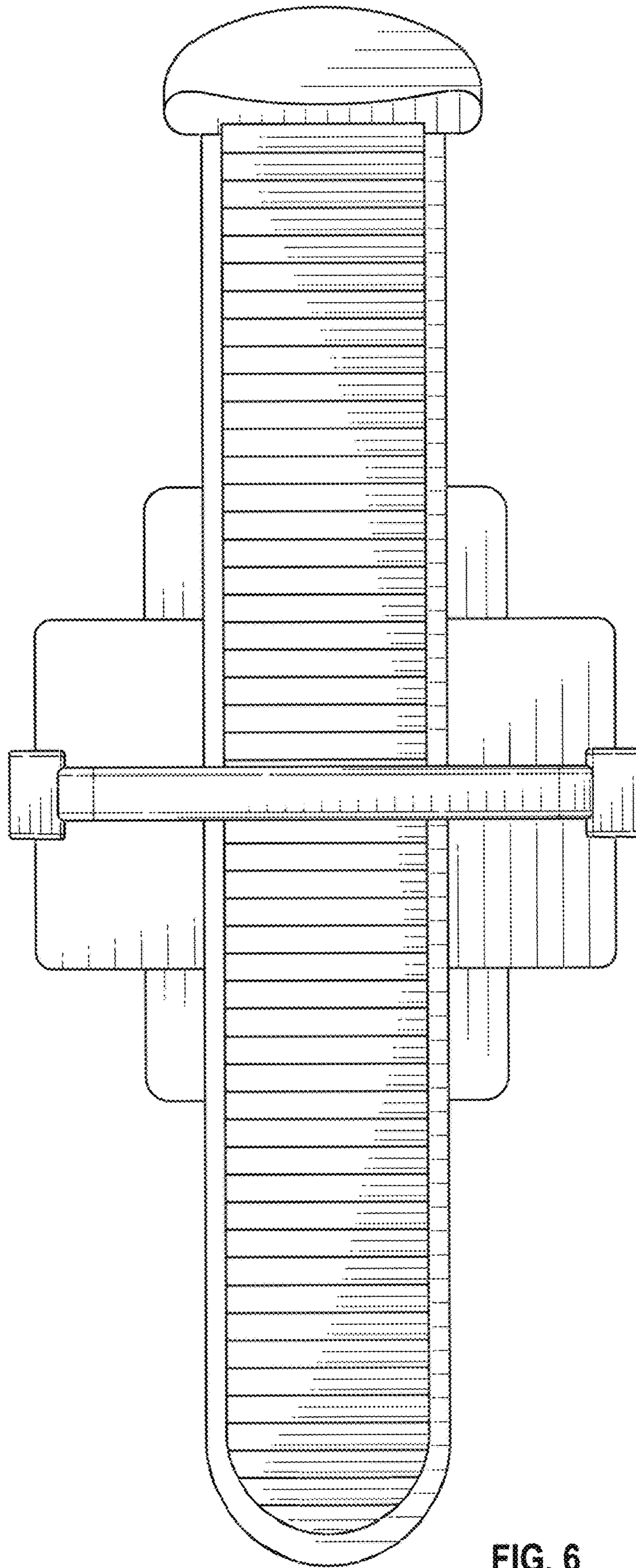


FIG. 6

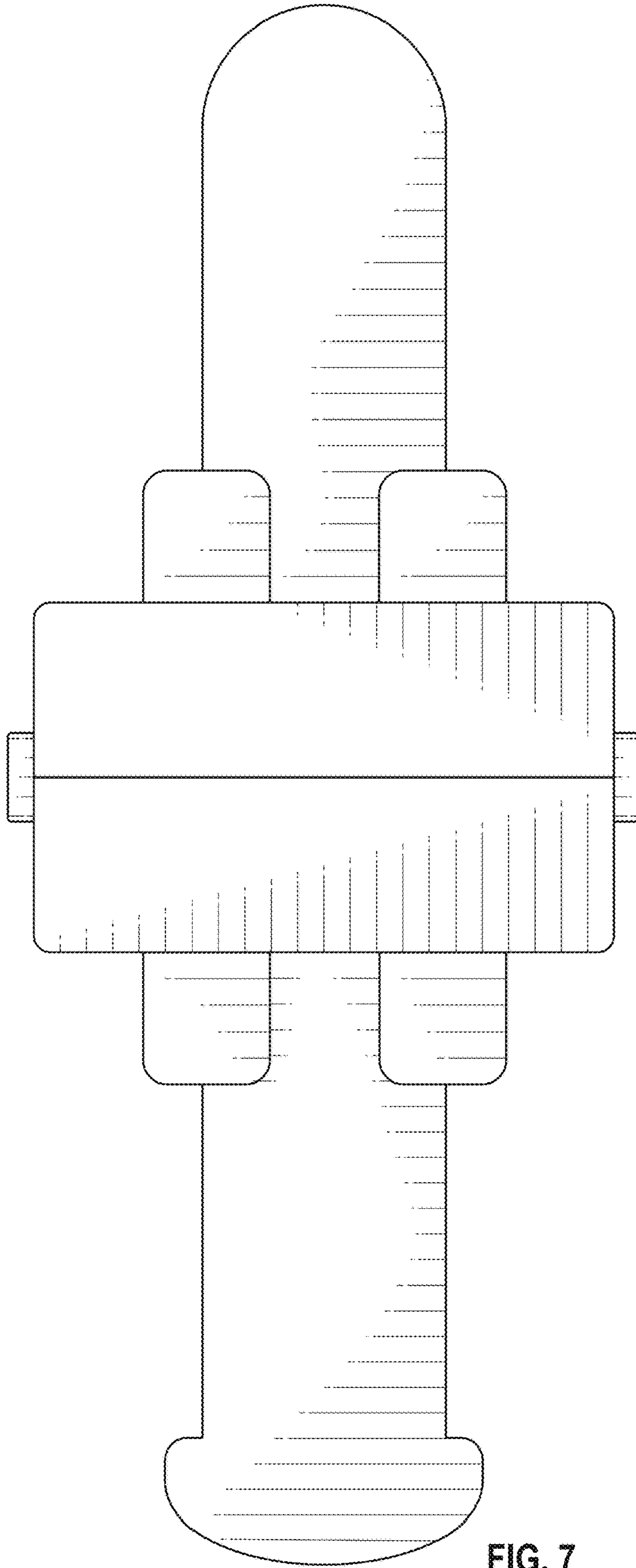


FIG. 7

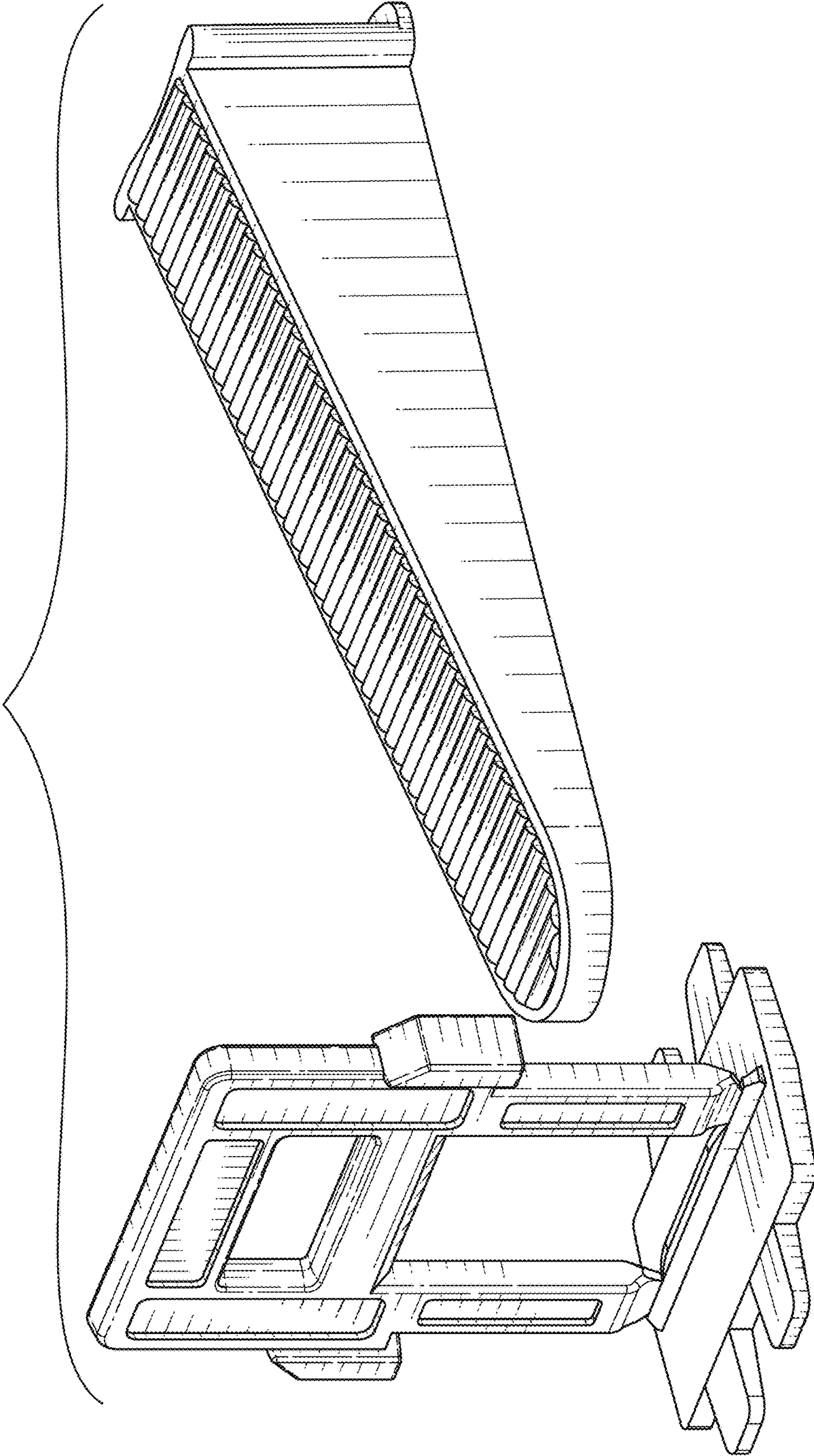


FIG. 8

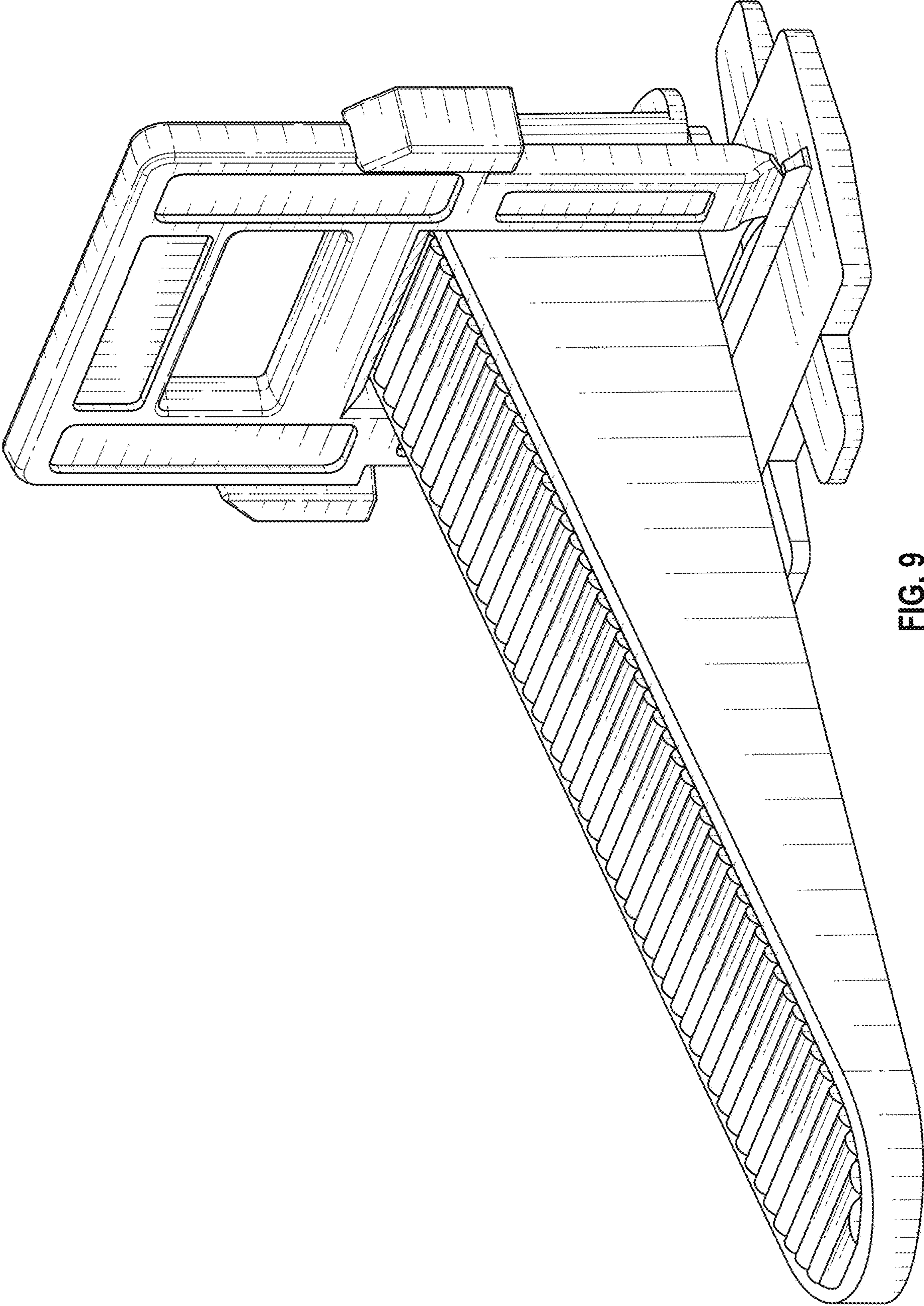


FIG. 9

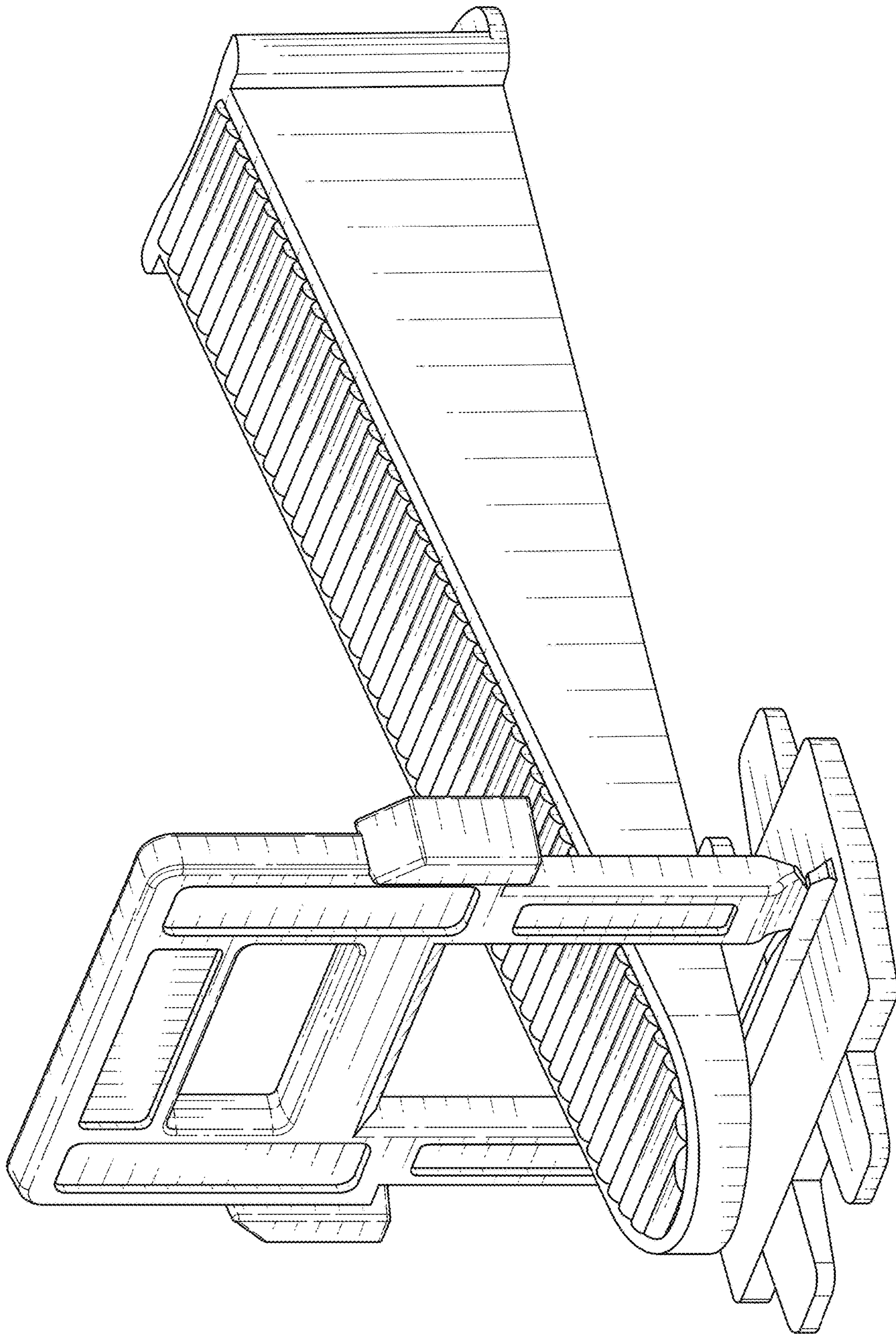


FIG. 10