



US00D899899S

(12) **United States Design Patent**
Macher

(10) **Patent No.:** **US D899,899 S**

(45) **Date of Patent:** **** Oct. 27, 2020**

(54) **ADJUSTABLE HANGING BRACKET**

D856,114 S * 8/2019 Poppell D8/349
D860,762 S * 9/2019 Gibson D8/354
D871,193 S * 12/2019 Ruddick D8/356

(71) Applicant: **DartConnect LLC**, Boston, MA (US)

(72) Inventor: **David Macher**, Boston, MA (US)

(73) Assignee: **DartConnect LLC**, Boston, MA (US)

(**) Term: **15 Years**

(21) Appl. No.: **29/677,041**

(22) Filed: **Jan. 16, 2019**

(51) **LOC (12) Cl.** **08-05**

(52) **U.S. Cl.**
USPC **D8/354**

(58) **Field of Classification Search**
USPC D8/354
CPC A47G 7/044; G09F 7/20
See application file for complete search history.

(56) **References Cited**

U.S. PATENT DOCUMENTS

2,266,294	A *	12/1941	Allderdice	A47G 7/044
					248/311.2
3,188,028	A *	6/1965	Waller	A47G 1/215
					248/489
D223,082	S *	3/1972	Fromm	D8/354
5,320,319	A *	6/1994	Winger	A47G 7/044
					248/312.1
6,398,174	B1 *	6/2002	Emalfarb	A47G 7/044
					248/214
D608,181	S *	1/2010	Koizumi	D8/354
D729,043	S *	5/2015	Poppell	D8/354
D763,062	S *	8/2016	Tatem	D14/239
D785,442	S *	5/2017	Tseng	D8/354
D807,152	S *	1/2018	Hansen	D8/354
D808,576	S *	1/2018	Clarke	D26/138

OTHER PUBLICATIONS

Dart Connect Tablet Holder, posted at dartbrokers.com, posting date not given, [online], [site visited Jun. 29, 2020]. Available from Internet, URL: <https://www.dartbrokers.com/target-dart-connect-tablet-phone-holder/> (Year: 2020).*

(Continued)

Primary Examiner — George D. Kirschbaum

Assistant Examiner — Maria J Edwards

(74) *Attorney, Agent, or Firm* — Neugeboren O'Dowd PC

(57) **CLAIM**

The ornamental design for an adjustable hanging bracket, as shown and described.

DESCRIPTION

FIG. 1 is a front perspective view of an adjustable hanging bracket.

FIG. 2 is a top plan view of the adjustable hanging bracket shown in FIG. 1.

FIG. 3 is a bottom plan view of the adjustable hanging bracket shown in FIG. 1.

FIG. 4 is a left side elevation view of the adjustable hanging bracket shown in FIG. 1.

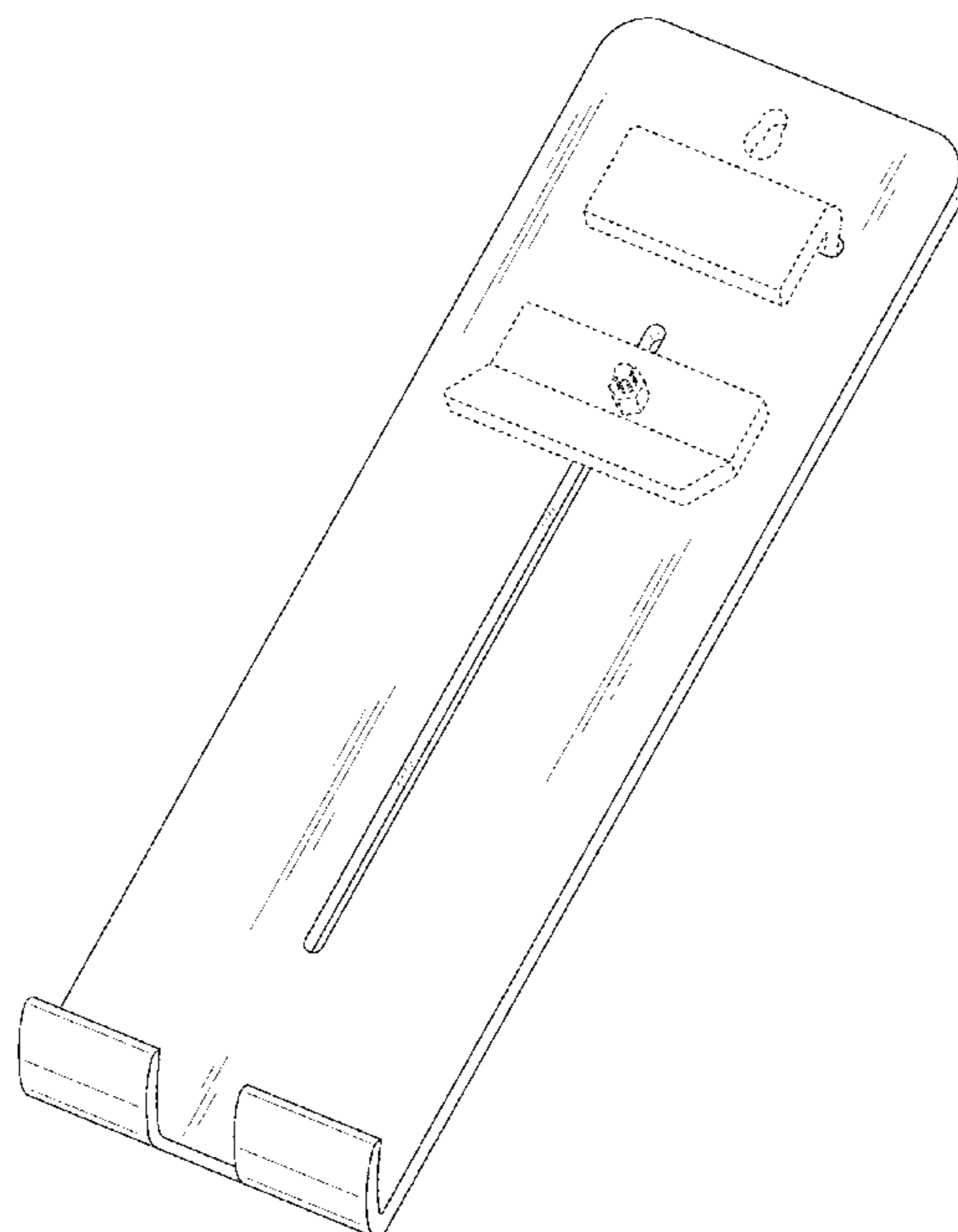
FIG. 5 is a right side elevation view of the adjustable hanging bracket shown in FIG. 1.

FIG. 6 is a rear elevation view of the adjustable hanging bracket shown in FIG. 1; and,

FIG. 7 is a front elevation view of the adjustable hanging bracket shown in FIG. 1.

The broken lines in the drawings represent environmental structure and form no part of the claimed design.

1 Claim, 7 Drawing Sheets



(56)

References Cited

OTHER PUBLICATIONS

Steel Adjustable Angle L Shaped Shelf Bracket, posted at alibaba.com, posting date not given, [online], [site visited Jun. 29, 2020]. Available from Internet, URL: https://www.alibaba.com/product-detail/Steel-Adjustable-Angle-L-Shaped-Shelf_1903385721.html (Year: 2020).*

Percival, Shane, "Affidavit of David Macher", Jul. 16, 2019, p. 3
Published in: US.

Macher, David, "Dartconnect Tablet Hanger Prototype", Mar. 2015,
p. 1 Published in: US.

* cited by examiner

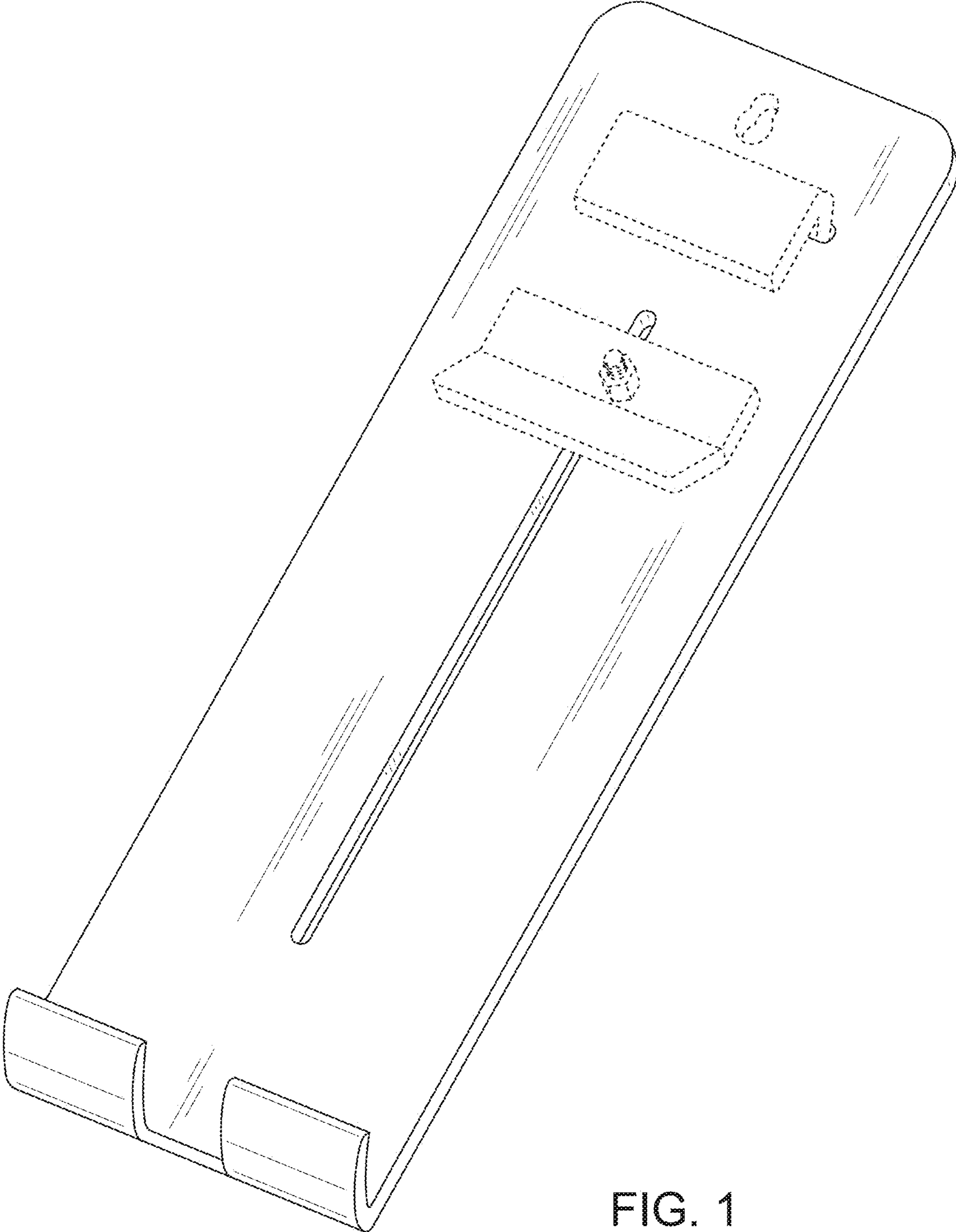


FIG. 1

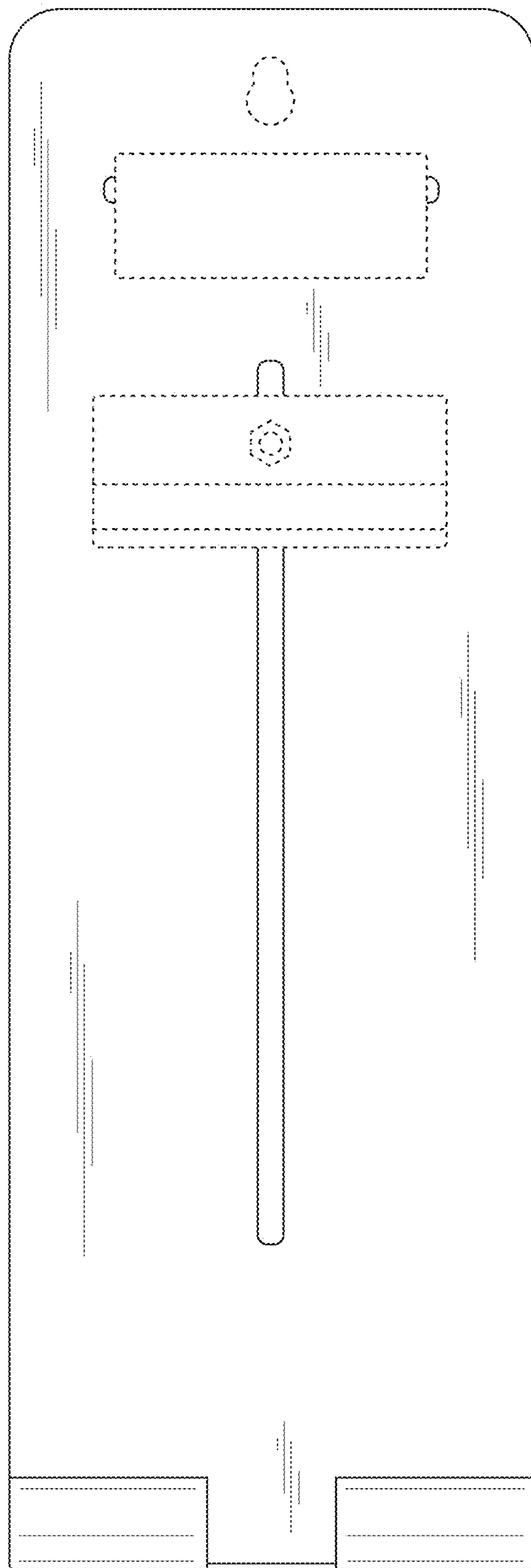


FIG. 2

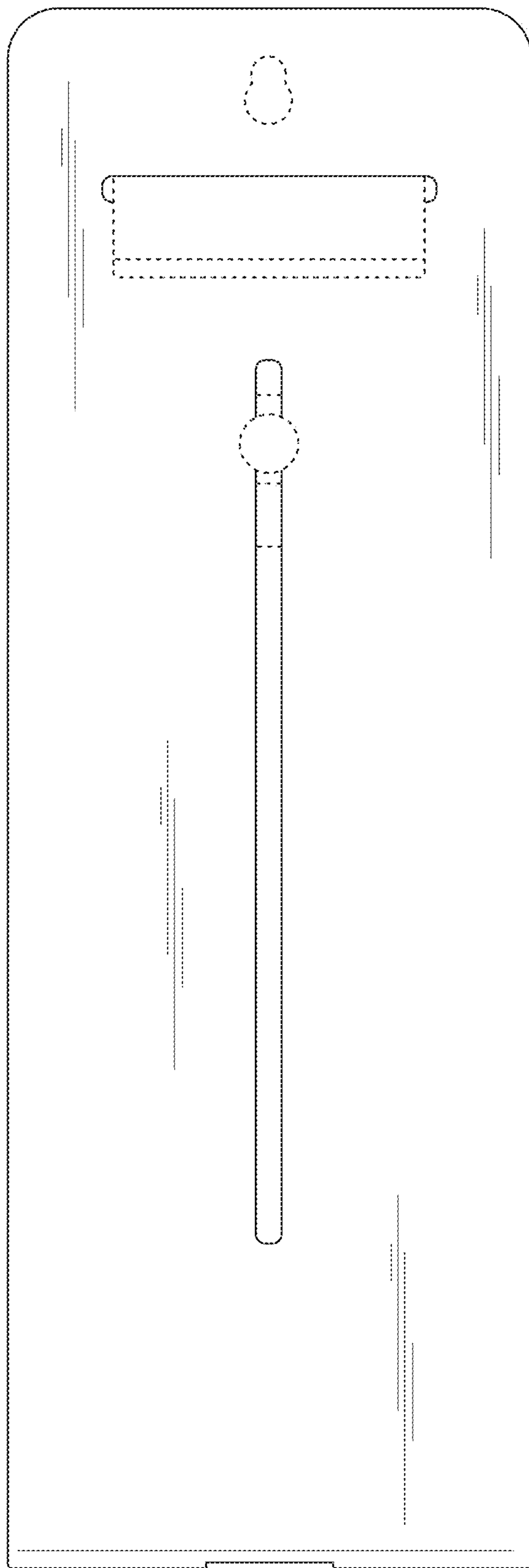


FIG. 3

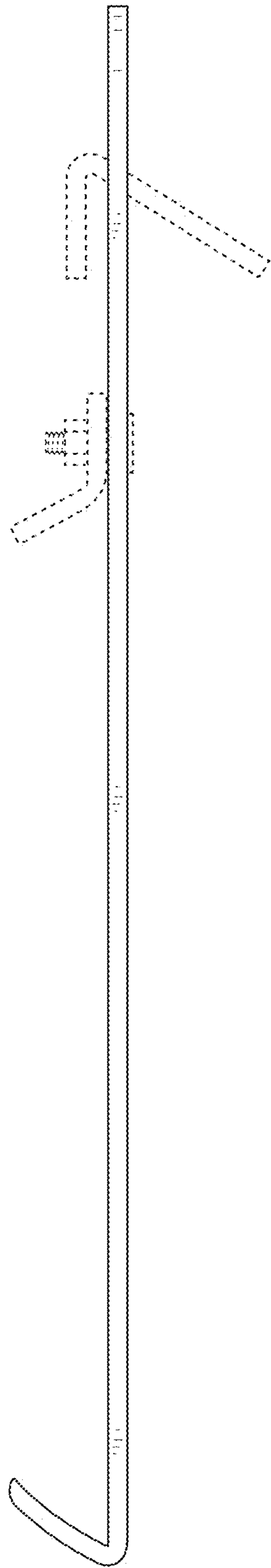


FIG. 4

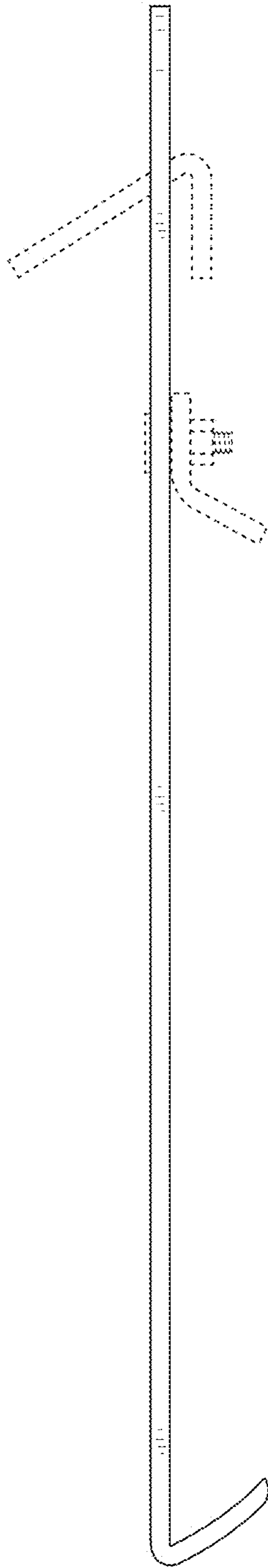


FIG. 5

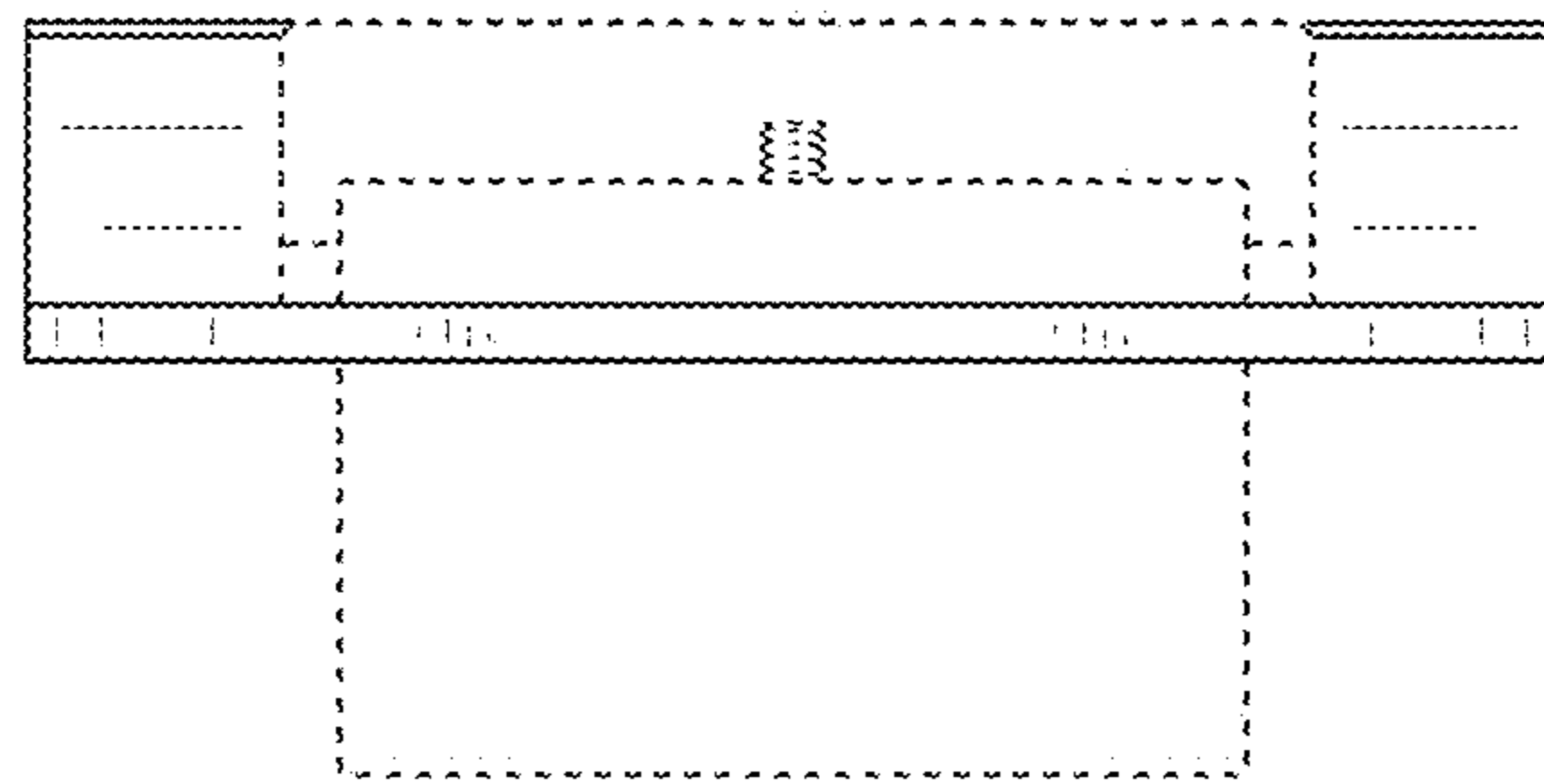


FIG. 6

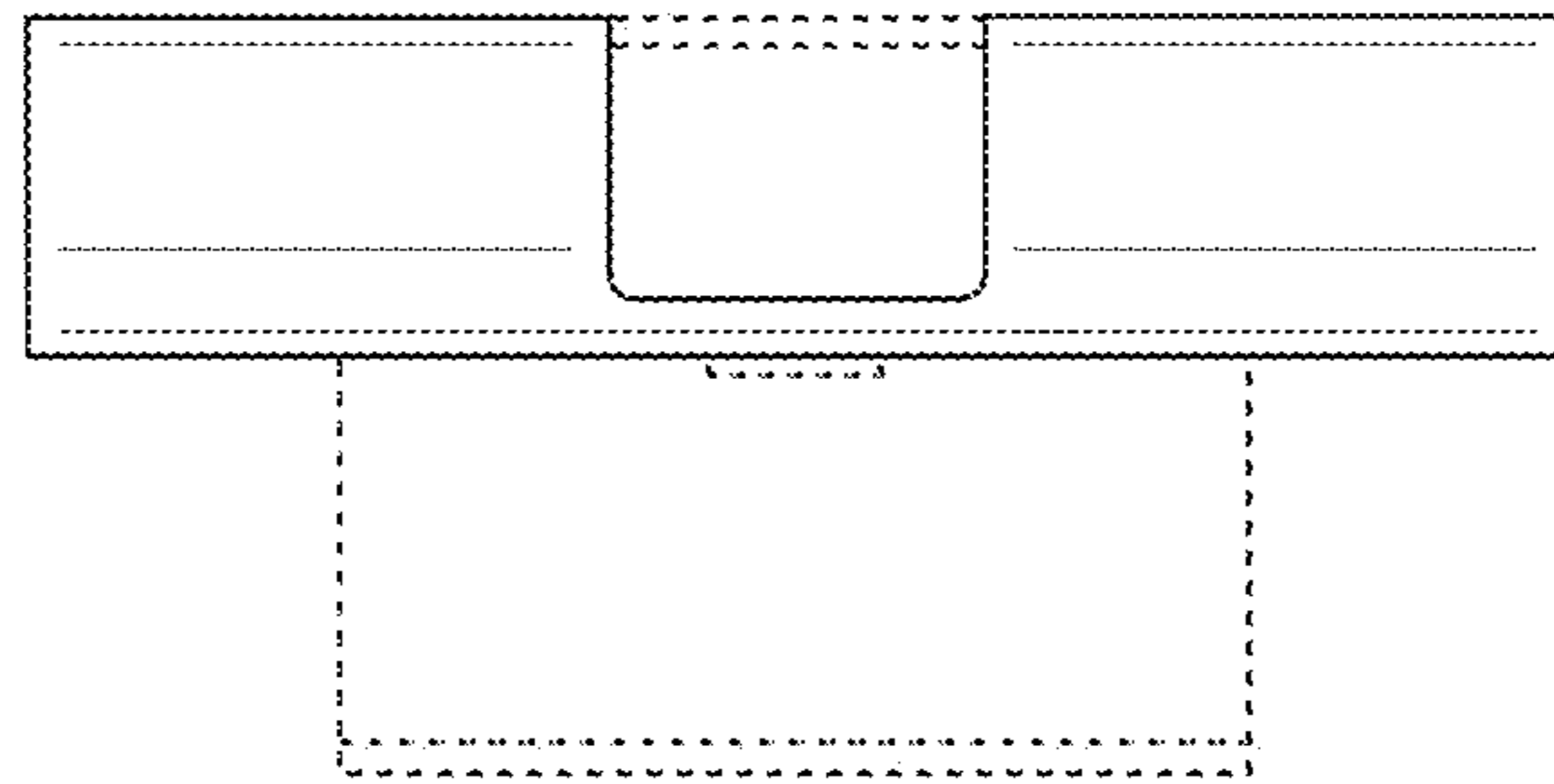


FIG. 7