



US00D899898S

(12) **United States Design Patent** (10) **Patent No.:** **US D899,898 S**
Vlad et al. (45) **Date of Patent:** **** Oct. 27, 2020**

(54) **MOUNTING BRACKET**
(71) Applicant: **Luminii**, Niles, IL (US)
(72) Inventors: **Laurentiu O. Vlad**, Northfield, IL (US); **Christopher J. Ferguson**, Bend, OR (US)

D640,819 S 6/2011 Pan
D667,155 S 9/2012 Rashidi
D667,288 S * 9/2012 Preda D8/354
D668,562 S * 10/2012 Madrack D10/65
8,348,477 B2 1/2013 Tickner et al.
D678,583 S 3/2013 Jeswani et al.
(Continued)

(73) Assignee: **Luminii**, Niles, IL (US)
(**) Term: **15 Years**

FOREIGN PATENT DOCUMENTS

CN 107268867 A 10/2017
CN 207179574 U 4/2018
(Continued)

(21) Appl. No.: **29/675,365**

(22) Filed: **Dec. 31, 2018**

OTHER PUBLICATIONS

(51) **LOC (12) Cl.** **08-05**
(52) **U.S. Cl.**
USPC **D8/354**
(58) **Field of Classification Search**
USPC D8/354
CPC A47B 45/00; F16B 2/005
See application file for complete search history.

Flat metal spring clip, posted at aliexpress.com, posting date not given, [online], [site visited Jun. 18, 2020]. Available from Internet, URL: <https://www.aliexpress.com/item/32724757454.html> (Year: 2020).*

(Continued)

(56) **References Cited**

U.S. PATENT DOCUMENTS

3,834,106 A 9/1974 Astedt et al.
4,408,428 A 10/1983 Brooke et al.
D318,177 S 7/1991 Winter
D325,641 S 4/1992 Dallaire et al.
5,335,890 A 8/1994 Pryor et al.
5,758,959 A 6/1998 Sieczkowski
6,364,511 B1 4/2002 Cohen
D513,171 S 12/2005 Richardson
6,971,210 B2 12/2005 Kliegle et al.
D551,384 S 9/2007 Rashidi
D551,797 S 9/2007 Rashidi
D557,112 S 12/2007 Franssen
D562,490 S 2/2008 Rashidi
D576,023 S 9/2008 Urmson, Jr. et al.
D601,000 S 9/2009 Cole et al.
D601,293 S 9/2009 MacKenzie
D615,387 S 5/2010 Prichard
D615,848 S 5/2010 Prichard et al.

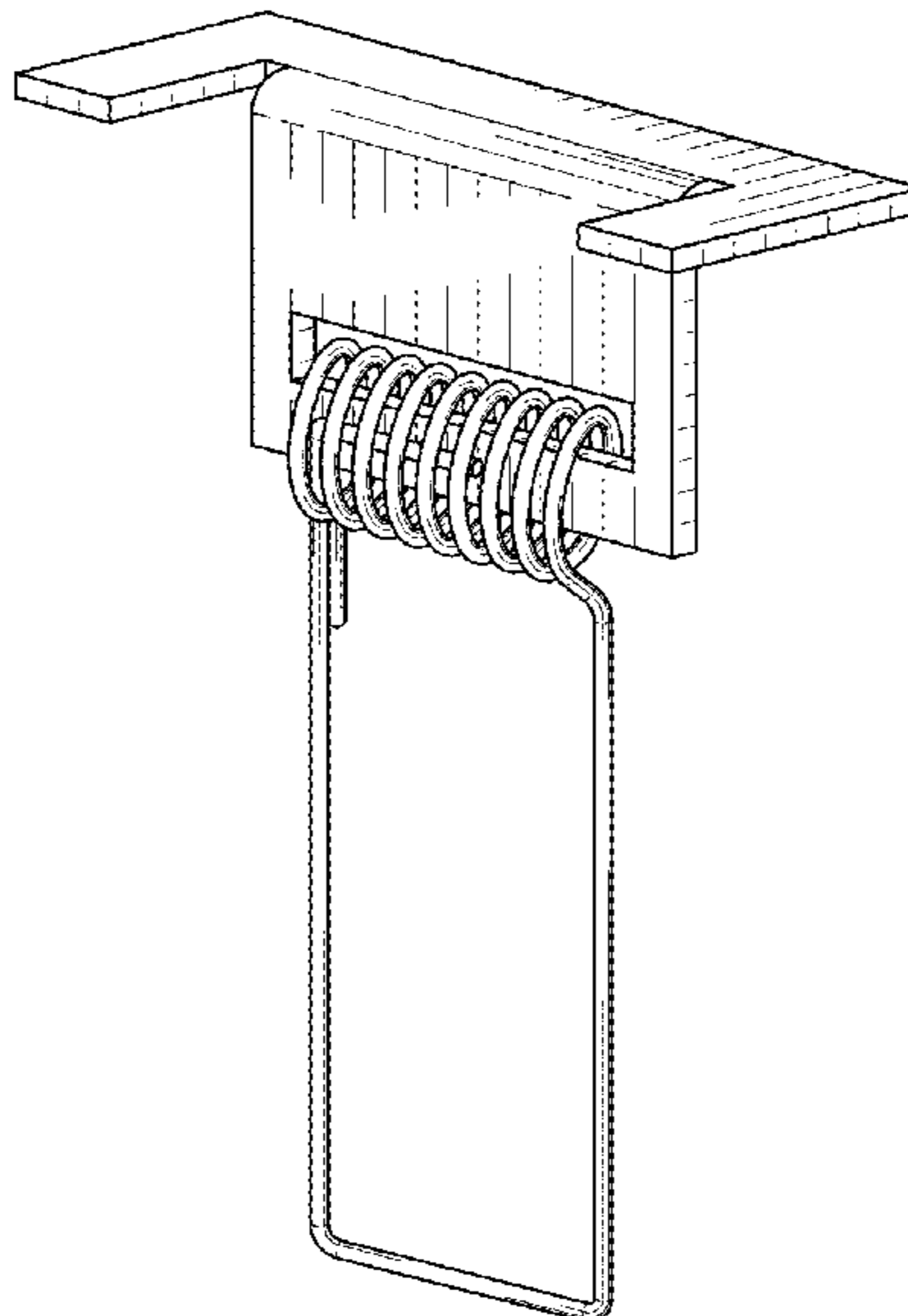
(57) **CLAIM**

The ornamental design for a mounting bracket, as shown and described.

DESCRIPTION

FIG. 1 is a perspective view of the claimed design;
FIG. 2 is a front view thereof;
FIG. 3 is a rear view thereof;
FIG. 4 is a left view thereof;
FIG. 5 is a right view thereof;
FIG. 6 is a top view thereof; and,
FIG. 7 is a bottom view thereof.

1 Claim, 4 Drawing Sheets



(56)

References Cited

U.S. PATENT DOCUMENTS

D679,044 S 3/2013 Jeswani et al.
 D683,882 S 6/2013 Rashidi
 D684,033 S * 6/2013 Preda D8/354
 D684,289 S 6/2013 Goelz et al.
 D684,291 S 6/2013 Goelz et al.
 D684,720 S 6/2013 Rashidi
 D685,120 S 6/2013 Rashidi
 D685,121 S 6/2013 Rashidi
 D690,865 S 10/2013 Rashidi
 D690,866 S 10/2013 Rashidi
 D691,316 S 10/2013 Rashidi
 D691,317 S 10/2013 Rashidi
 D692,172 S 10/2013 Rashidi
 D692,173 S 10/2013 Rashidi
 D692,175 S 10/2013 Rashidi
 D698,068 S 1/2014 Rashidi
 8,683,768 B2 4/2014 Gerkes et al.
 D708,381 S 7/2014 Rashidi
 D724,257 S 3/2015 Klus
 D724,260 S 3/2015 Klus
 D724,261 S 3/2015 Klus
 9,010,956 B1 4/2015 Davis
 D731,704 S 6/2015 Klus
 9,052,081 B1 6/2015 Paulsel
 9,140,441 B2 9/2015 Goelz et al.
 D742,540 S 11/2015 Singh
 D752,422 S 3/2016 Veilleux et al.
 9,291,319 B2 3/2016 Kathawate et al.
 9,341,349 B1 5/2016 Moore
 9,353,933 B2 5/2016 Van De Ven
 D775,409 S 12/2016 Klus
 D775,410 S 12/2016 Klus
 9,565,769 B2 2/2017 Dankelmann et al.
 D782,104 S 3/2017 Klus
 D782,105 S 3/2017 Klus
 D782,106 S 3/2017 Porciatti
 D792,017 S 7/2017 Klus
 9,702,533 B1 7/2017 Harpenau et al.
 D796,110 S 8/2017 Klus
 9,739,455 B2 8/2017 Rodriguez et al.
 D797,977 S 9/2017 Farzan
 D798,471 S 9/2017 Tremaine et al.
 D799,065 S 10/2017 Tremaine et al.
 D807,572 S 1/2018 Klus
 D809,704 S 2/2018 Klus
 9,933,144 B2 4/2018 Mandy et al.
 9,939,136 B2 4/2018 Vidal
 D818,188 S 5/2018 Trzesniowski

D818,194 S 5/2018 Trzesniowski
 D818,633 S 5/2018 Barker et al.
 D821,611 S 6/2018 Singh
 D821,851 S 7/2018 Stahl et al.
 D822,455 S 7/2018 Stahl et al.
 D823,095 S 7/2018 Stahl et al.
 D824,584 S 7/2018 Klus
 10,054,274 B2 8/2018 Athalye et al.
 D829,348 S 9/2018 Hynek et al.
 2004/0061032 A1 4/2004 Bradford et al.
 2005/0034402 A1 2/2005 Johnson
 2005/0258653 A1 11/2005 Jacobs
 2011/0267827 A1 11/2011 Wein
 2013/0083514 A1 4/2013 Wong et al.
 2015/0330611 A1 11/2015 Abai et al.

FOREIGN PATENT DOCUMENTS

EP 0499044 A1 8/1992
 ES 248856 U 5/1980
 WO 2015181413 A1 12/2015

OTHER PUBLICATIONS

Deep Recess Line LED Strip Mounting Profile—Lighting Matters, retrieved at <http://lightingmatters.com.au/wp/shop/Jeep-recess-line-led-strip-mounting-profile> on Dec. 31, 2018.
 LED Profile Recessed Ceiling for LED Strip—Aluminium LED Channel C/W Diffuser + End Caps, Retrieved at <https://www.theledstore.co/recessed-celing-led-profile-for-led-strip> on Oct. 4, 2018.
 LED Tape Light Aluminium Mounting Channel, retrieved at <https://step1dezigns.com/led-aluminium-mounting-channel-6-feet-stvfich12> on Dec. 31, 2018.
 Klus, LLC: Inspiring Solutions; OPAC-30 Extrusion, retrieved at <https://klusdesign.com/product/423> on Dec. 19, 2018.
 Luminii Corp.; KRS Channel, retrieved at <https://www.luminii.com/image/data/Products/Linear-aluminum-extrusions/Products/KRS%20Channel/Upload/KRSC.pdf> on Dec. 19, 2018.
 Surface Mount LED Profile Housing, retrieved at <https://www.superbrightleds.com/moreinfo/housings/klus-b4574-gip-series-surface-mount-anodized-aluminum-led-profile-housing/1421> on Dec. 31, 2018.
 Trulux 78.7" Standard Flange Slot Recessed Mount Anodized Aluminum Extrusion, retrieved at https://www.prolighting.com/pedfs/led-slot-2m.html?utm_source=google_shopping&gclid=EAlalQobChMlraGp1NDq3QIVgh5pCh2qLgQLEAQYAyABEgITvfd_BwE on Dec. 31, 2018.

* cited by examiner

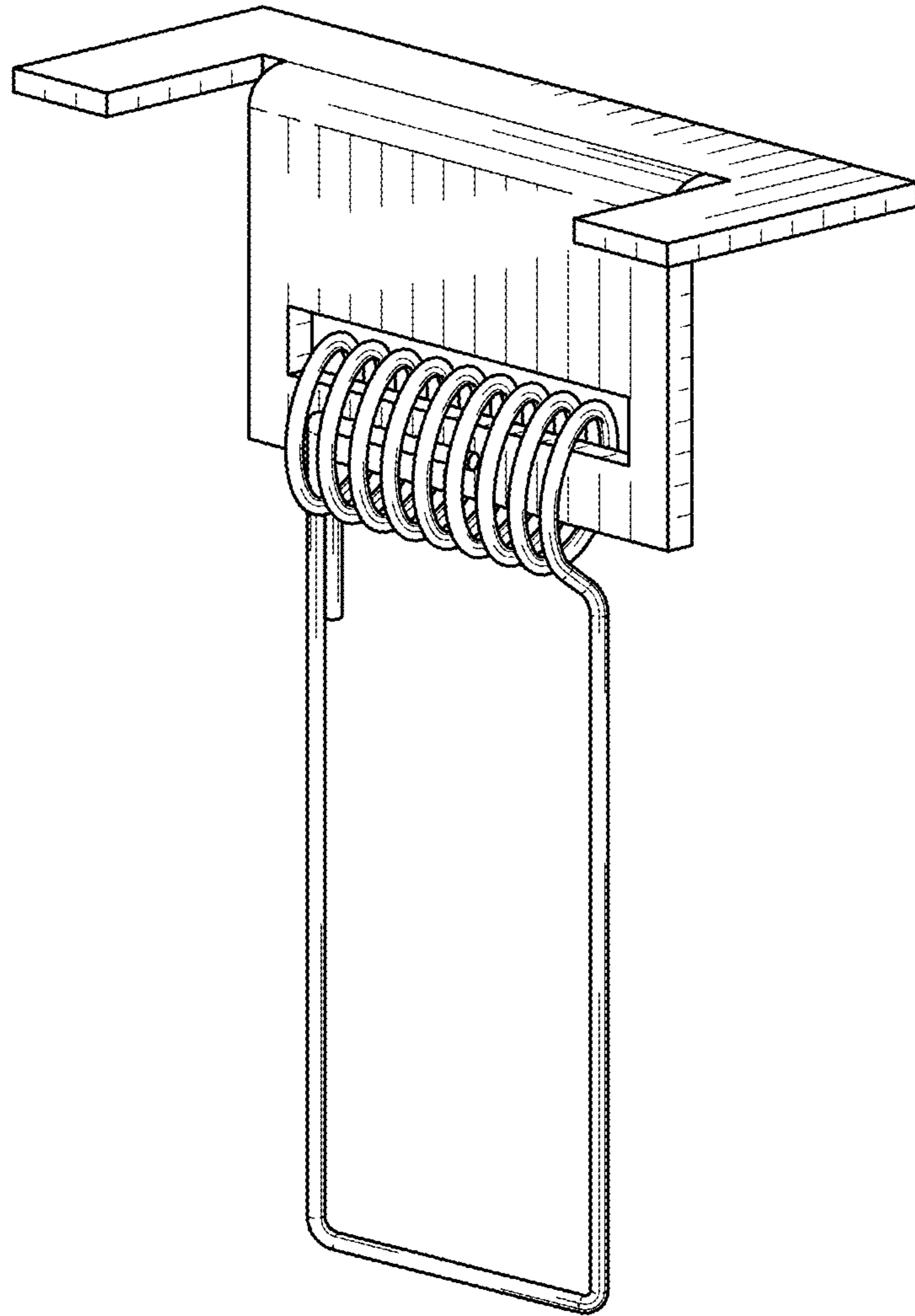


FIG. 1

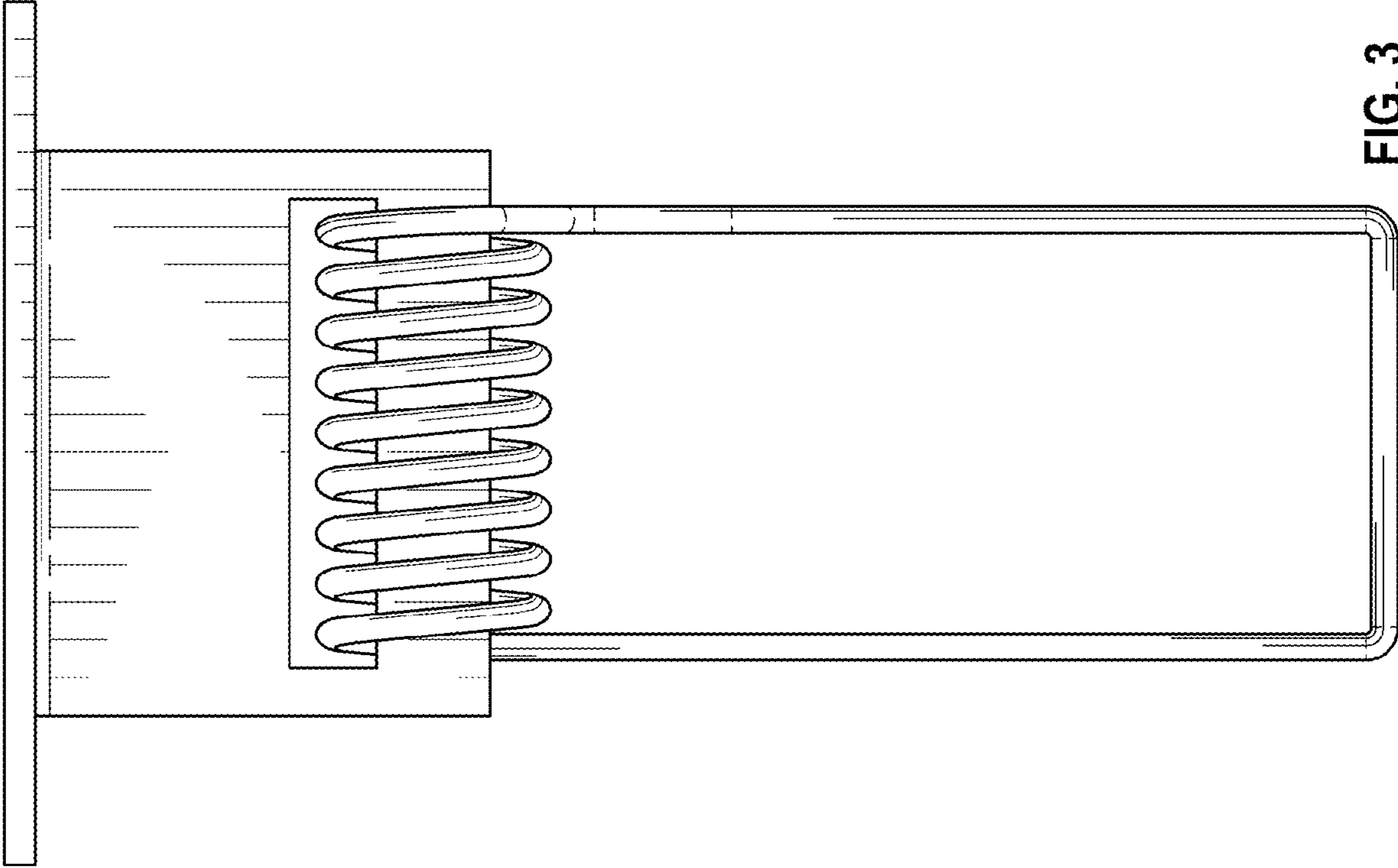


FIG. 3

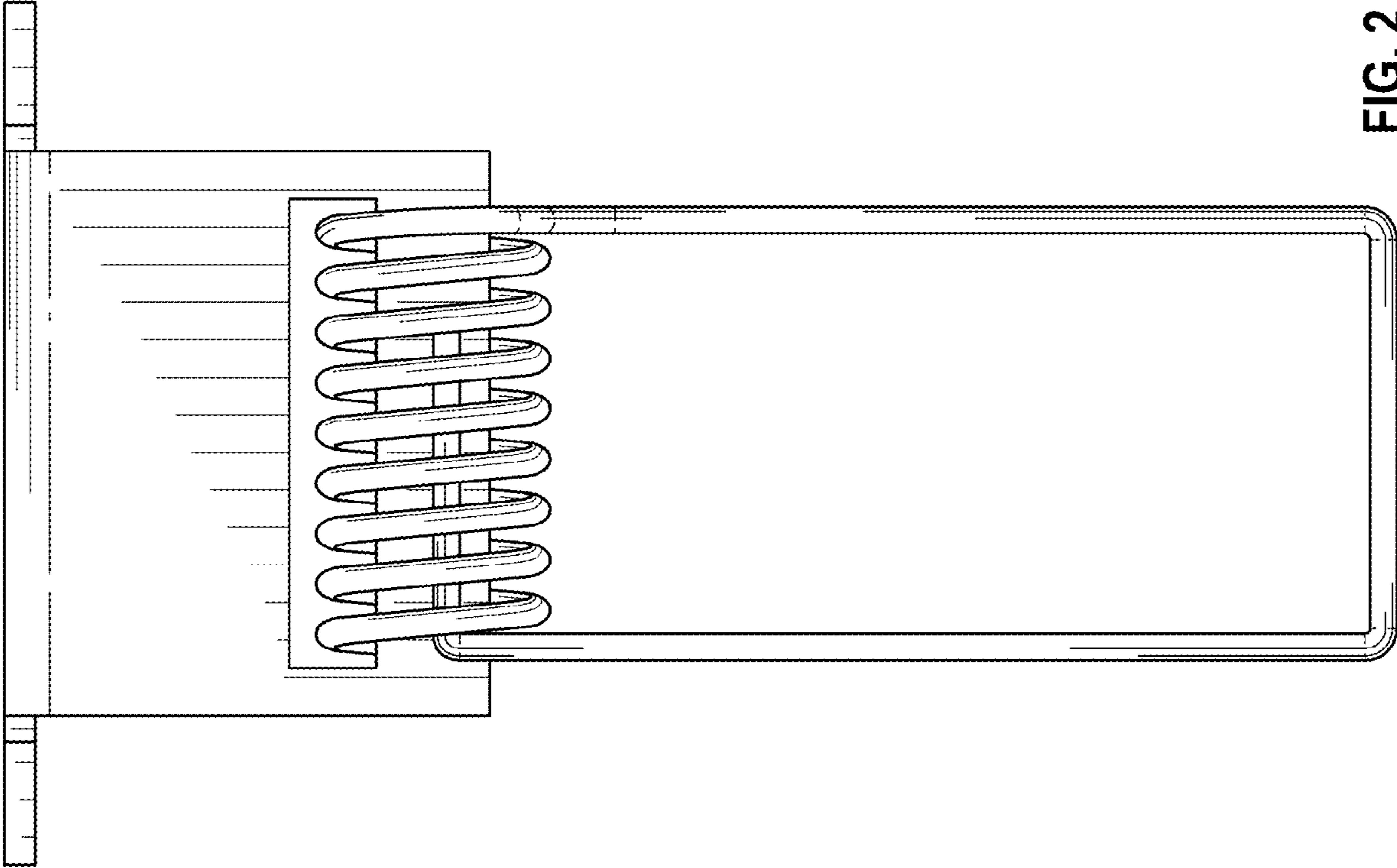


FIG. 2

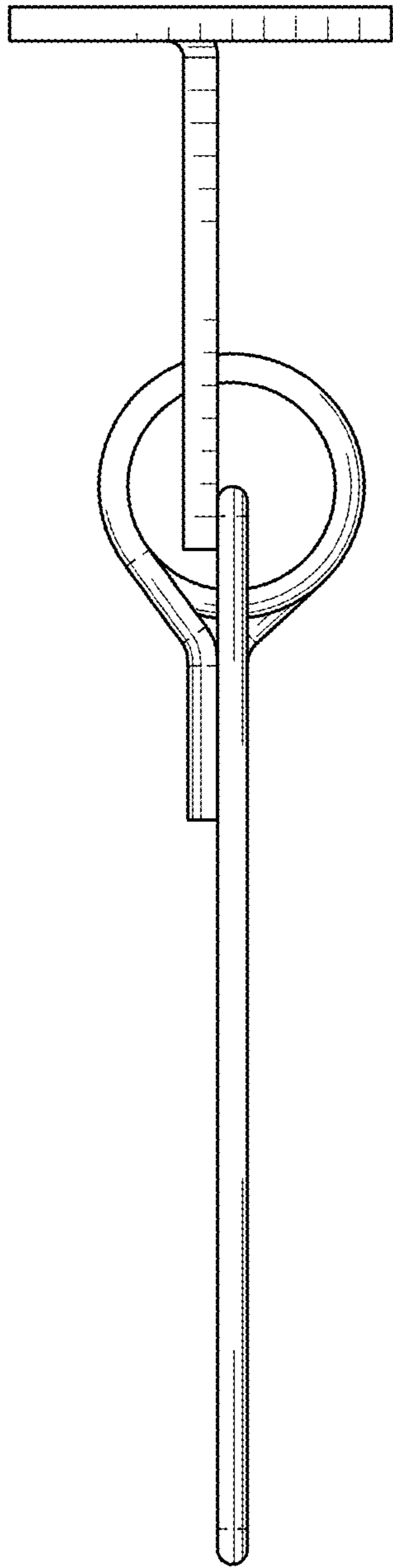


FIG. 4

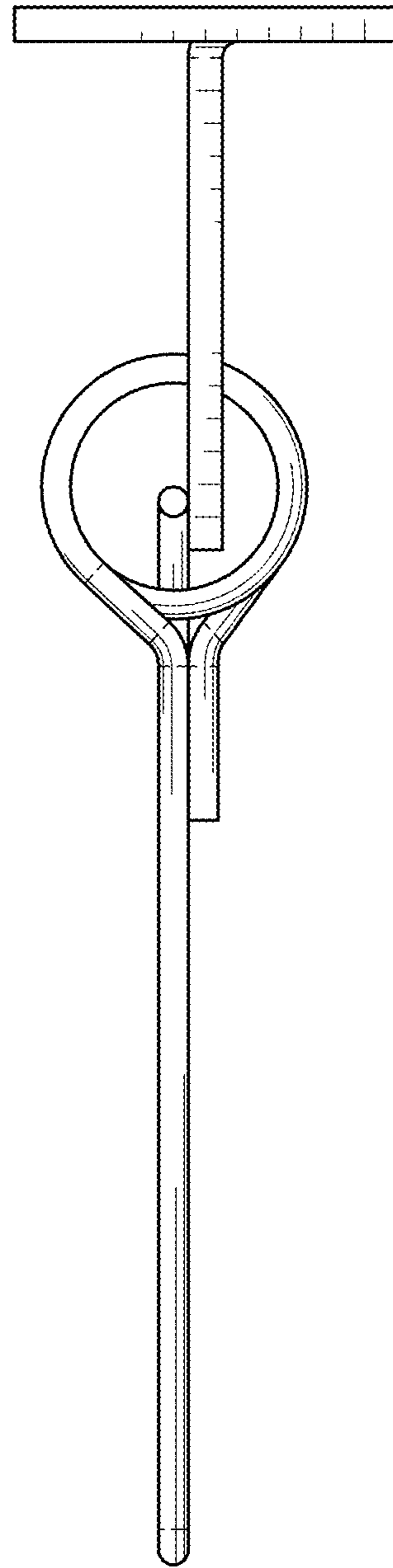


FIG. 5

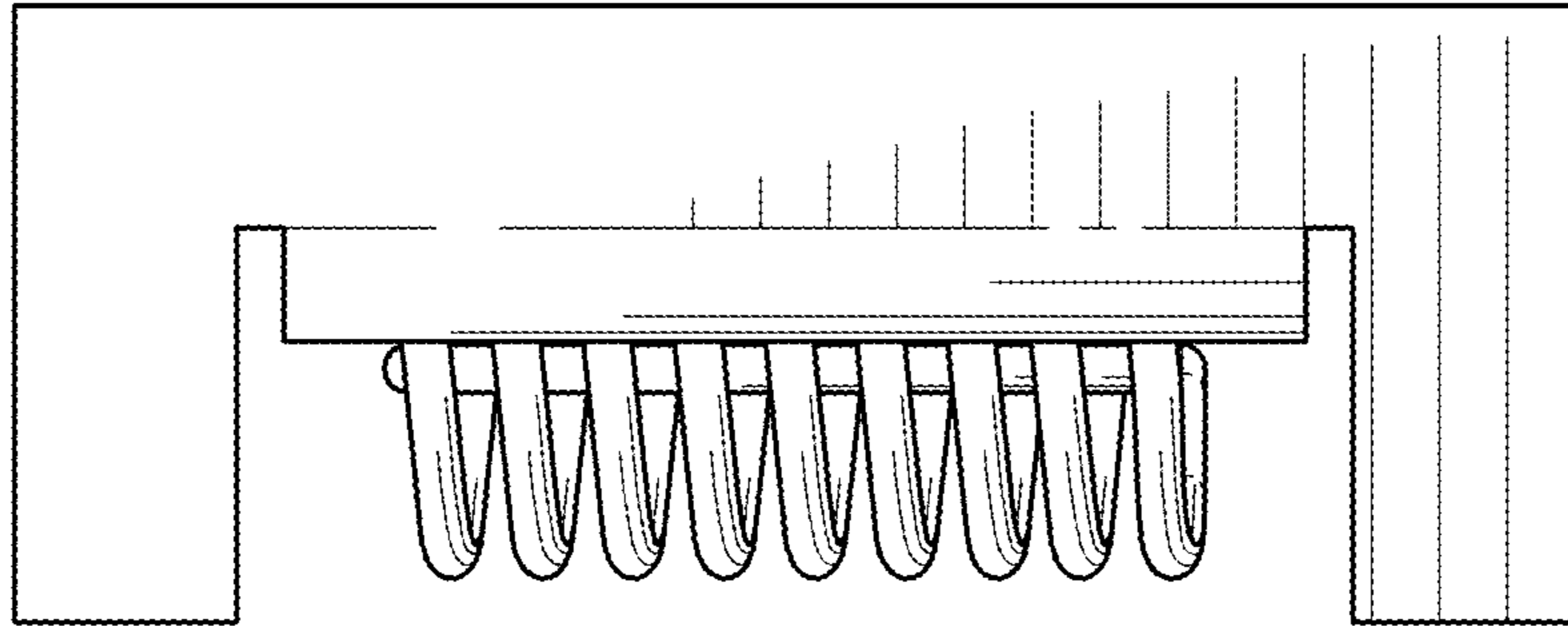


FIG. 6

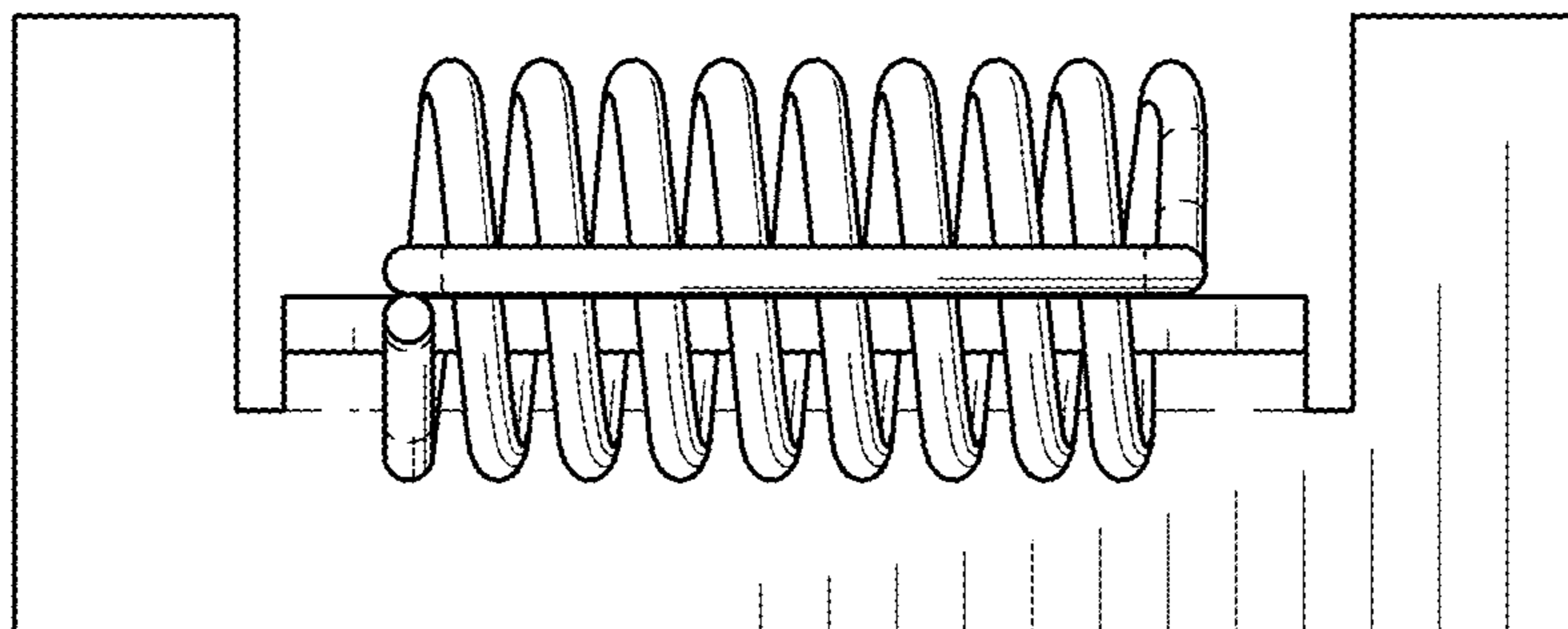


FIG. 7